

US00D947637S

(12) **United States Design Patent**  
**Huang**

(10) **Patent No.:** **US D947,637 S**  
(45) **Date of Patent:** **\*\* Apr. 5, 2022**

(54) **TUBE STRAIGHTENING DEVICE**  
(71) Applicant: **YUNG CHI INDUSTRY CO., LTD.**,  
Taichung (TW)  
(72) Inventor: **Wu Sheng Huang**, Taichung (TW)  
(73) Assignee: **Yung Chi Industry Co., Ltd.**, Taichung  
(TW)  
(\*\*) Term: **15 Years**  
(21) Appl. No.: **29/740,676**  
(22) Filed: **Jul. 7, 2020**

2,985,956 A \* 5/1961 Appel ..... C21D 7/02  
72/370.04  
3,270,542 A \* 9/1966 Kennedy ..... B21D 3/00  
72/160  
3,998,083 A \* 12/1976 Dilling ..... B21D 3/00  
72/81  
4,116,037 A \* 9/1978 Honeycutt ..... B21D 3/00  
140/147  
D578,369 S \* 10/2008 Chen ..... D8/107  
D637,468 S \* 5/2011 Jiang ..... D8/83  
D690,184 S \* 9/2013 Chen ..... D8/107  
D775,909 S \* 1/2017 Harrington ..... D8/14  
D850,883 S \* 6/2019 Buckley ..... D8/107

(Continued)

(30) **Foreign Application Priority Data**  
Jan. 16, 2020 (TW) ..... 109200666  
(51) **LOC (13) Cl.** ..... **15-09**  
(52) **U.S. Cl.**  
USPC ..... **D8/70; D15/138**  
(58) **Field of Classification Search**  
USPC ..... D12/308, 317, 318; D15/199, 122, 123,  
D15/124, 138; D21/545, 801; D8/70,  
D8/71, 107  
See application file for complete search history.

**FOREIGN PATENT DOCUMENTS**

EP 3184183 A1 \* 6/2017 ..... B21D 39/20  
*Primary Examiner* — Patricia A Palasik  
(74) *Attorney, Agent, or Firm* — Wang Law Firm, Inc.

(57) **CLAIM**

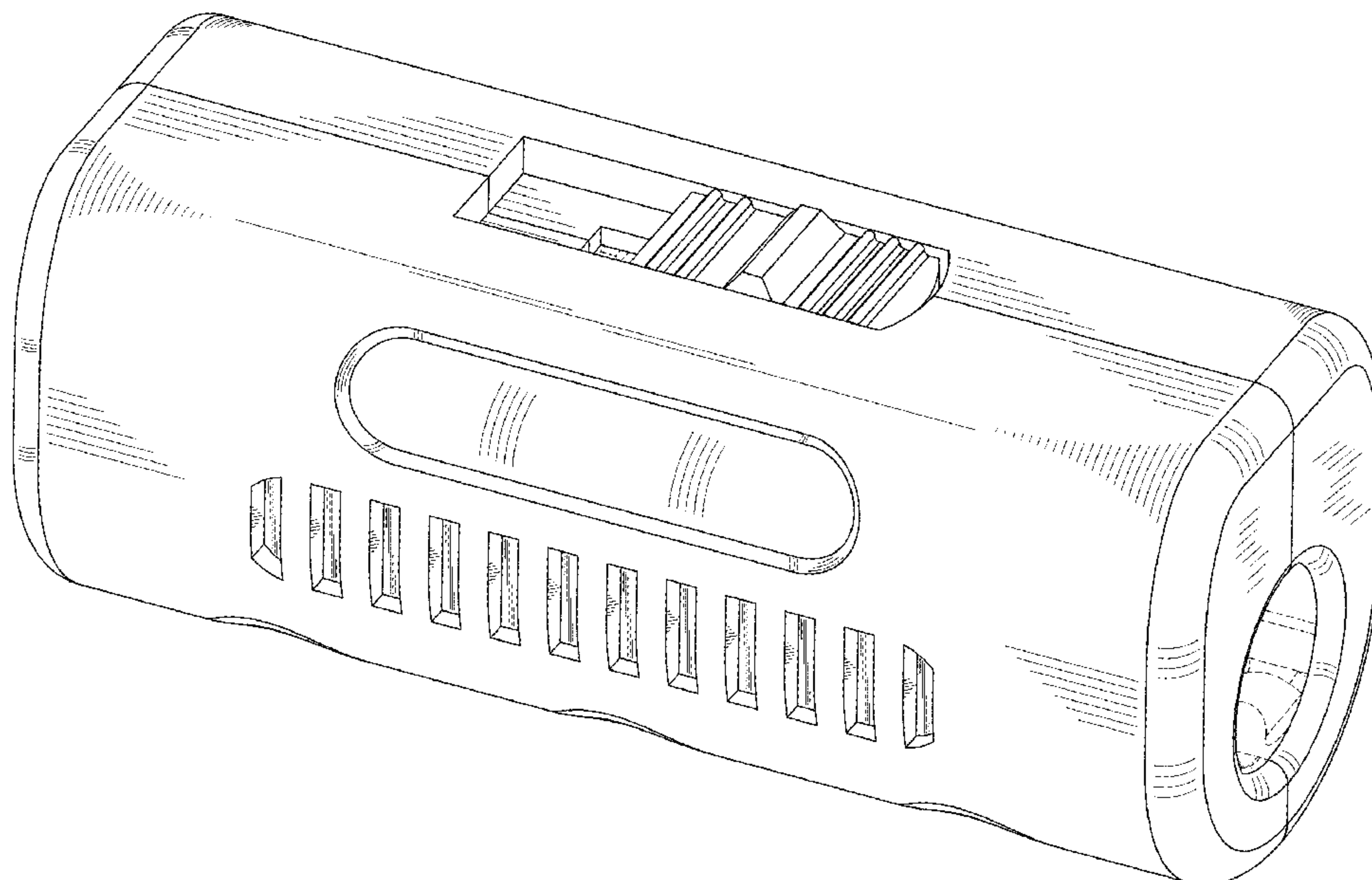
The ornamental design for a tube straightening device, as shown and described.

**DESCRIPTION**

FIG. 1 is a front top perspective view of a tube straightening device in accordance with the present invention; FIG. 2 is a rear bottom perspective view thereof; FIG. 3 is a front view thereof; FIG. 4 is a rear view thereof; FIG. 5 is a left view thereof; FIG. 6 is a right view thereof; FIG. 7 is a top view thereof; and, FIG. 8 is a bottom view thereof. The broken lines in the drawings depict portions of the tube straightening device which form no part of the claimed design.

(56) **References Cited**  
**U.S. PATENT DOCUMENTS**  
1,456,217 A \* 5/1923 Brightman ..... B21F 1/02  
72/75  
2,428,825 A \* 10/1947 Arnoldy ..... C21D 1/00  
148/642  
2,486,844 A \* 11/1949 Hercik ..... B21D 3/00  
72/376  
2,550,842 A \* 5/1951 McClure ..... B21D 3/00  
72/92  
2,757,536 A \* 8/1956 Heldenbrand ..... G01N 3/10  
73/805

**1 Claim, 8 Drawing Sheets**



(56)

**References Cited**

U.S. PATENT DOCUMENTS

2003/0061925 A1\* 4/2003 Milliman ..... B23D 21/04  
83/178  
2005/0082345 A1\* 4/2005 Nicolai ..... B21C 37/0807  
228/151  
2005/0126252 A1\* 6/2005 Feldmann ..... B21D 3/00  
72/393  
2015/0158069 A1\* 6/2015 Odom ..... B21D 1/10  
72/470

\* cited by examiner

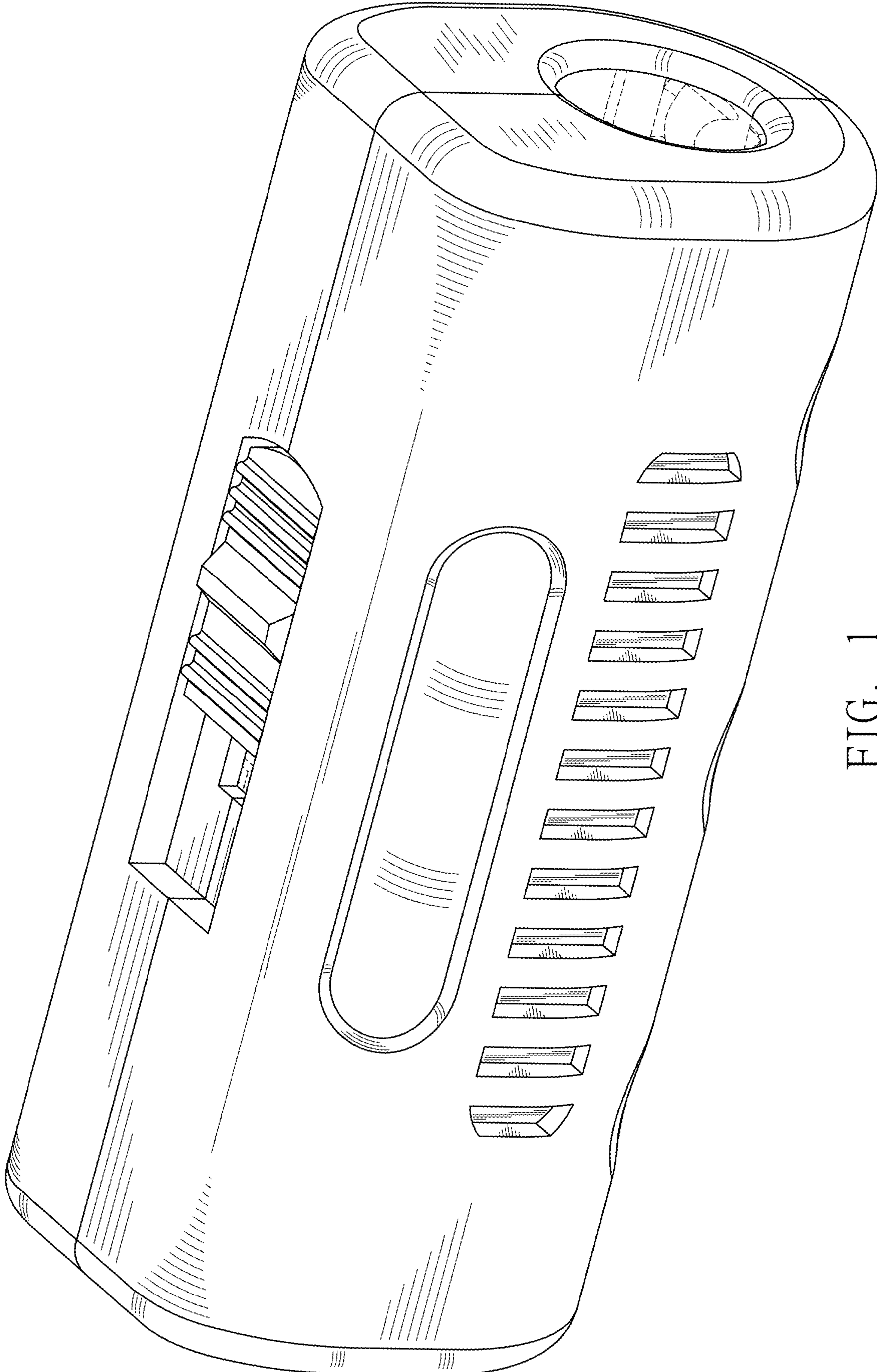


FIG. 1

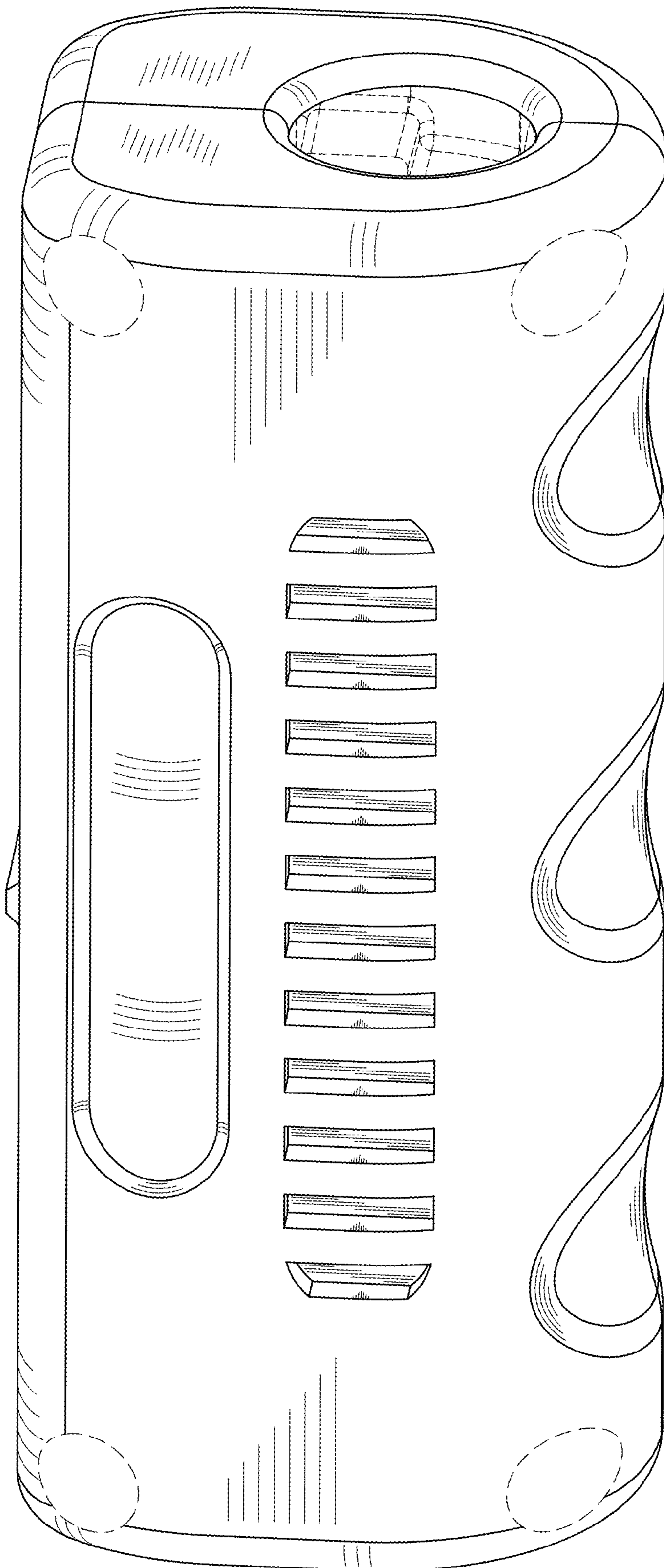


FIG. 2



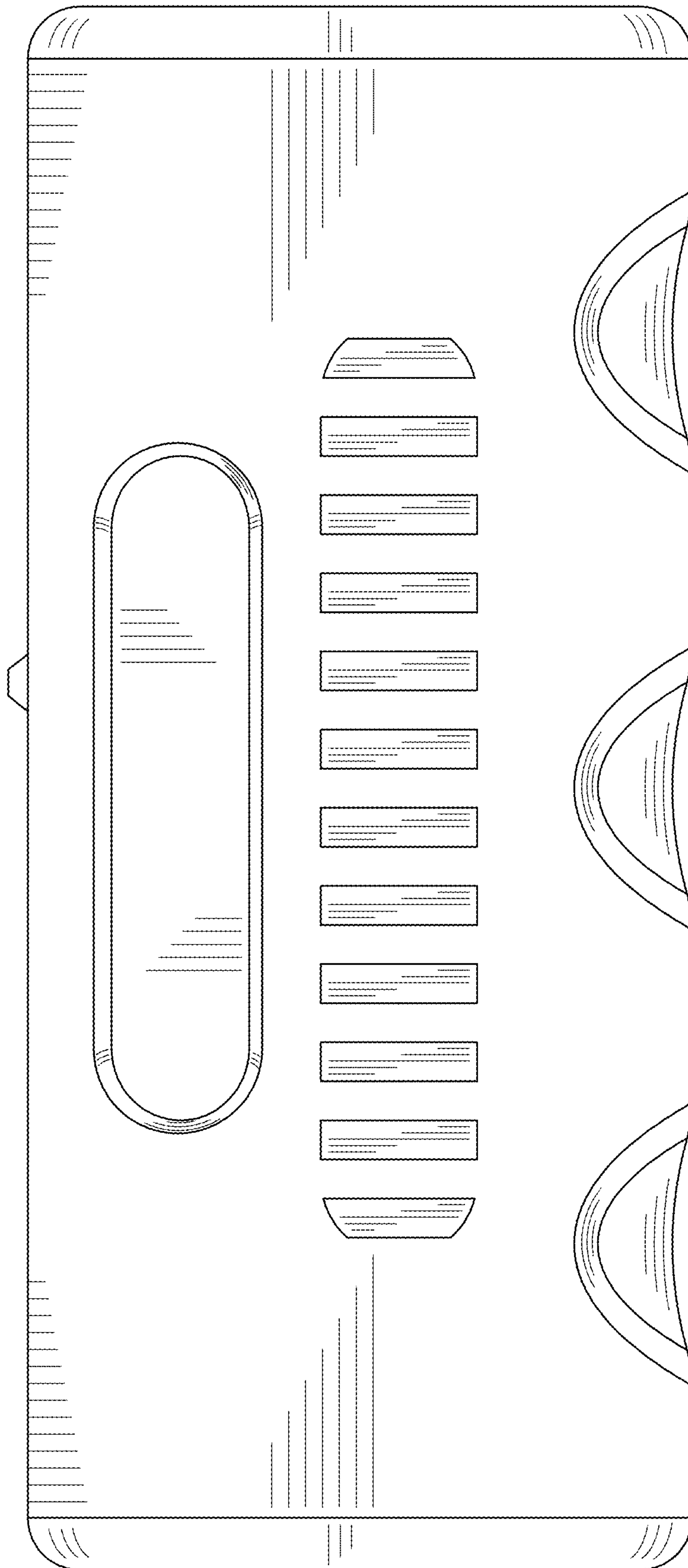


FIG. 3

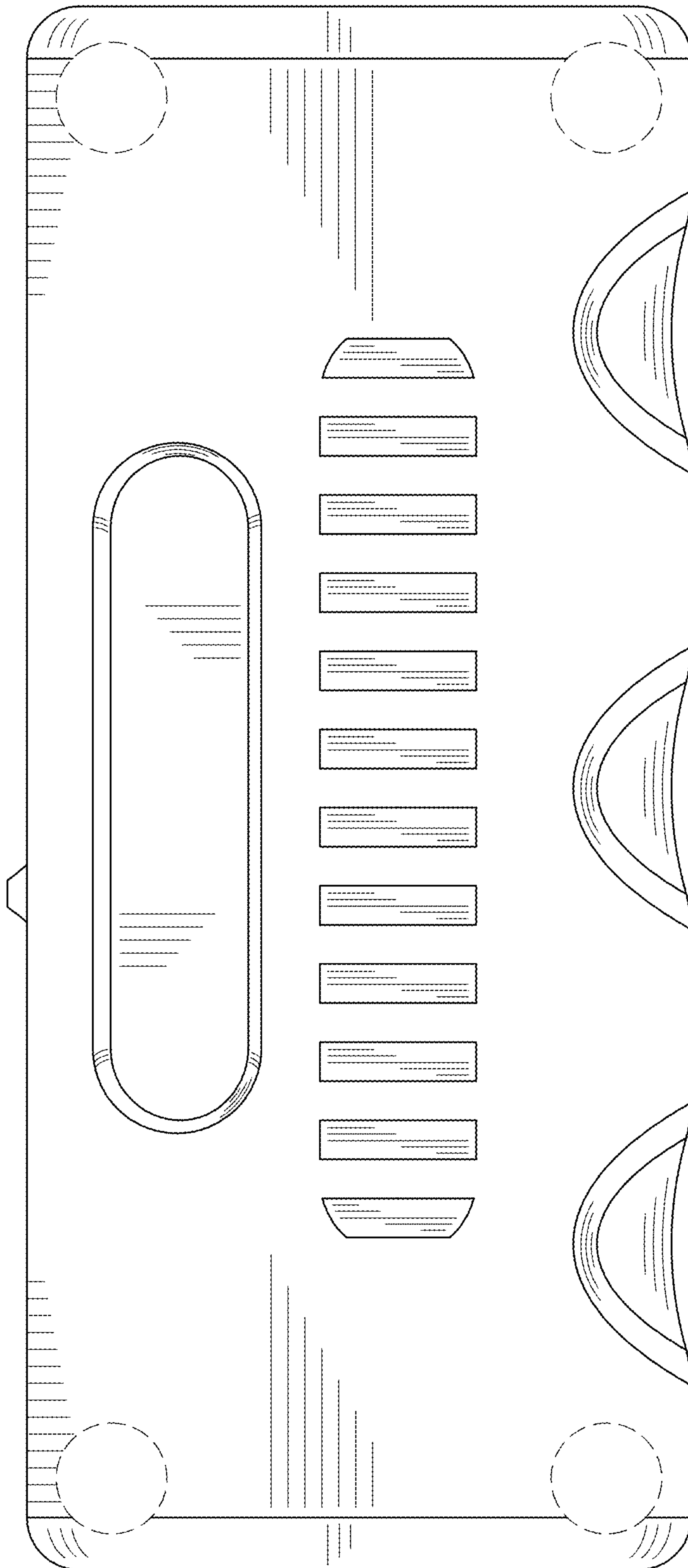


FIG. 4

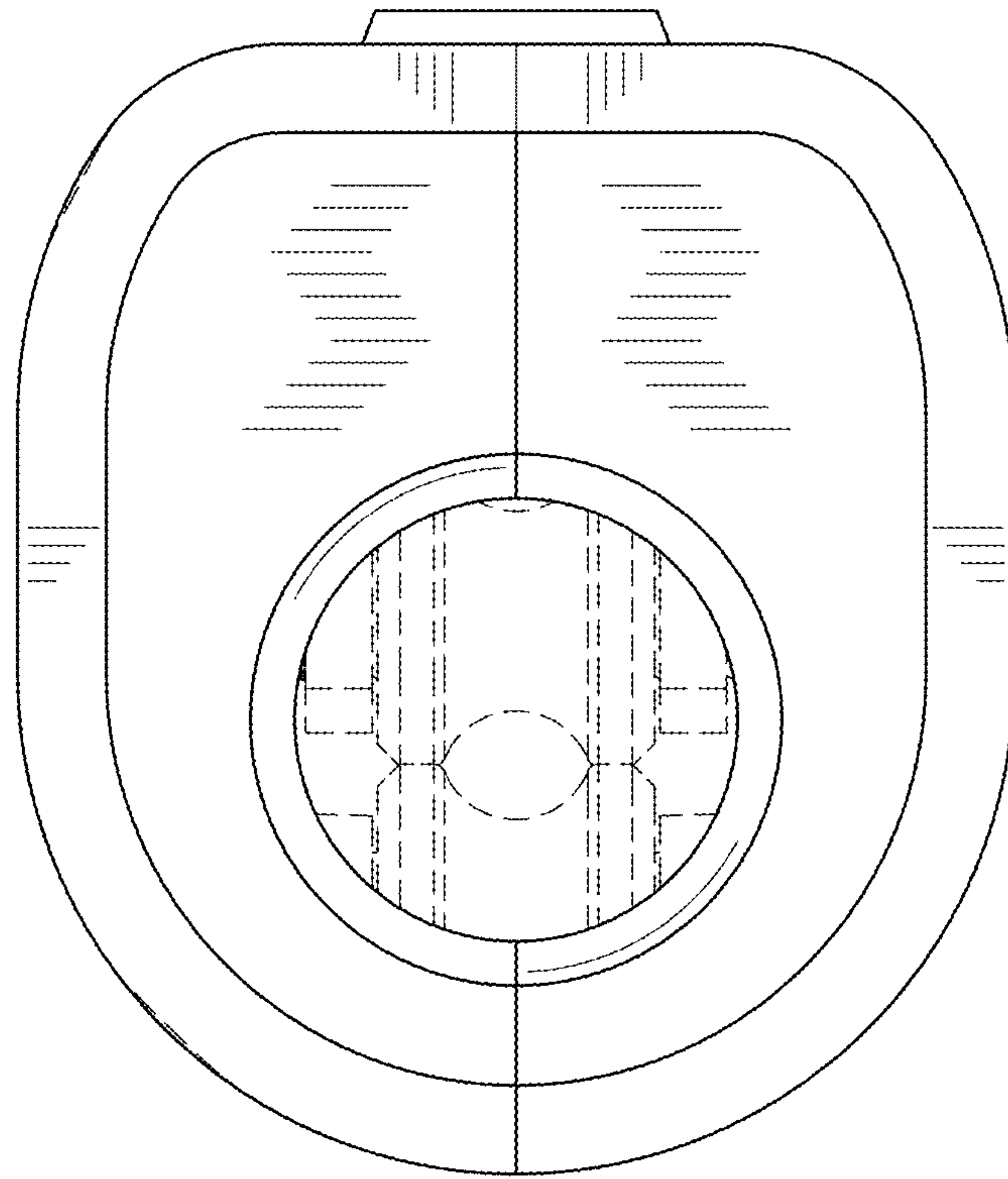


FIG. 5

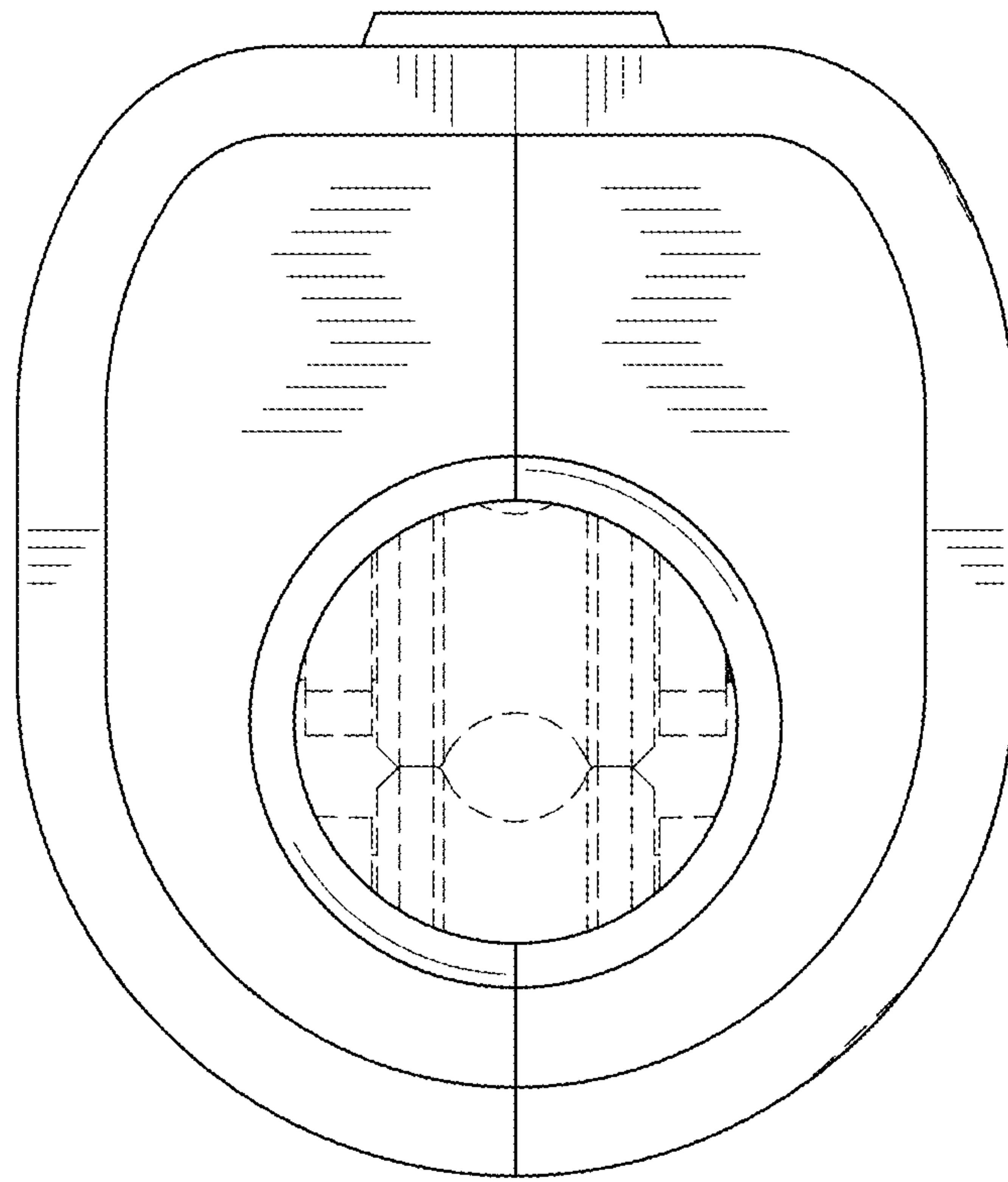


FIG. 6



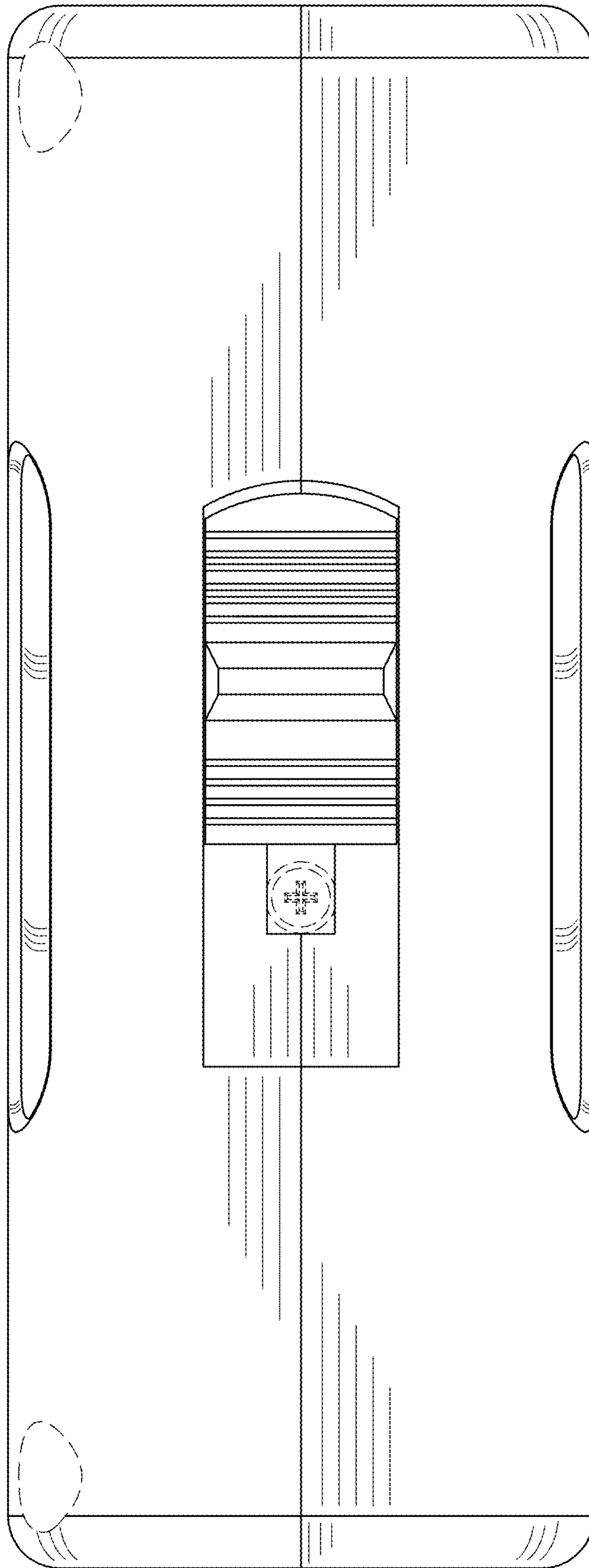


FIG. 7

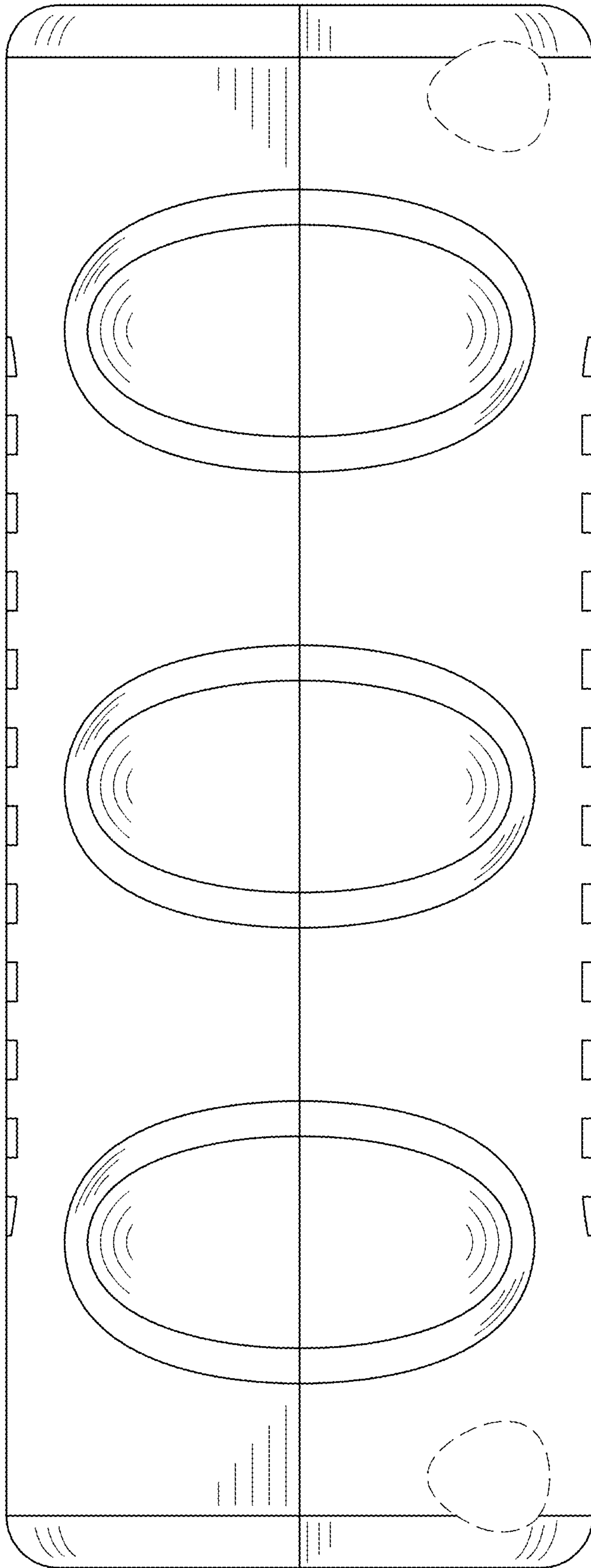


FIG. 8