



US00D947635S

(12) **United States Design Patent**
Yang et al.

(10) **Patent No.:** **US D947,635 S**

(45) **Date of Patent:** **** Apr. 5, 2022**

(54) **HAMMER DRILL**

(71) Applicant: **Zhejiang Prulde Electric Appliance Co., Ltd., Zhejiang (CN)**

(72) Inventors: **Weiming Yang, Zhejiang (CN); Ting Han, Zhejiang (CN)**

(73) Assignee: **Zhejiang Prulde Electric Appliance Co., Ltd., Zhejiang (CN)**

(**) Term: **15 Years**

(21) Appl. No.: **29/718,537**

(22) Filed: **Dec. 26, 2019**

(51) **LOC (13) Cl.** **08-05**

(52) **U.S. Cl.**
USPC **D8/68**

(58) **Field of Classification Search**
USPC D8/61, 67, 68
CPC B62D 23/005; B62D 29/00; B62D 29/043;
B62D 31/00; B62D 33/046; B62D 35/00;
B62D 35/001; B60Q 1/0005
See application file for complete search history.

(56) **References Cited**

U.S. PATENT DOCUMENTS

5,159,986	A *	11/1992	Hoser	B25D 16/006	173/48
D342,878	S *	1/1994	Watanabe		D8/68
D343,105	S *	1/1994	Shibata		D8/68
D406,511	S *	3/1999	Zurwelle		D8/68
D406,741	S *	3/1999	Zurwelle		D8/68
D466,779	S *	12/2002	Shibata		D8/68
D470,379	S *	2/2003	Andriolo		D8/68
D488,978	S *	4/2004	Cheung		D8/68
D492,565	S *	7/2004	Stirm		D8/68
D502,374	S *	3/2005	Aglassinger		D8/68
D502,375	S *	3/2005	Aglassinger		D8/68
D507,950	S *	8/2005	Aglassinger		D8/68
D511,286	S *	11/2005	Aglassinger		D8/68

D520,833	S *	5/2006	Andriolo	D8/68
D527,969	S *	9/2006	Okada	D8/68
D540,135	S *	4/2007	Okuda	D8/68
D567,614	S *	4/2008	Okuda	D8/68
7,398,834	B2 *	7/2008	Jung	B25D 16/006
					173/11
D587,546	S *	3/2009	Wright	D8/68

(Continued)

FOREIGN PATENT DOCUMENTS

CN	305239523	7/2019
EM	006302311-0007	4/2019

OTHER PUBLICATIONS

“Hammer & Hammer Drill—Tools & Accessories.” Bosch., Jan. 24, 2008 [online], [retrieved on Jan. 16, 2022]. Retrieved from the Internet <URL: <https://images-eu.ssl-images-amazon.com/images/I/C1yFaDKk13S.pdf>>.*

(Continued)

Primary Examiner — Darlington Ly
(74) *Attorney, Agent, or Firm* — JCIP Global Inc.

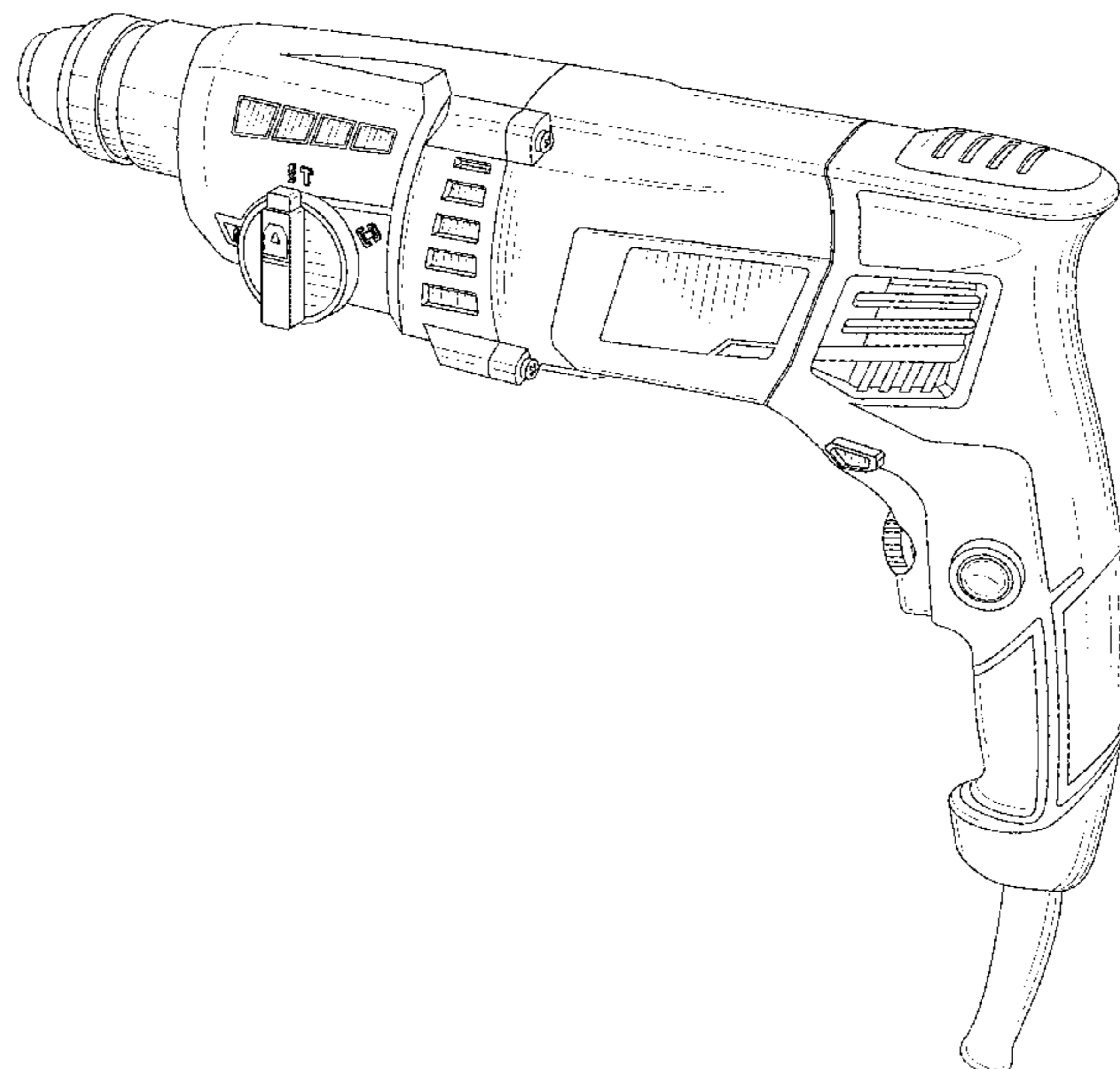
(57) **CLAIM**

The ornamental design for a hammer drill, as shown and described.

DESCRIPTION

FIG. 1 is a perspective view of a hammer drill embodying our new design;
FIG. 2 is a front elevation view thereof;
FIG. 3 is a rear elevation view thereof;
FIG. 4 is a right side elevation view thereof;
FIG. 5 is a left side elevation view thereof;
FIG. 6 is a top plan view thereof; and,
FIG. 7 is a bottom plan view thereof.
The broken lines in the drawings represent the portions of the airless spray gun that form no part of the claimed design.

1 Claim, 7 Drawing Sheets



(56)

References Cited

U.S. PATENT DOCUMENTS

D592,478	S *	5/2009	Wright	D8/68
D617,168	S *	6/2010	Yamamoto	D8/68
D631,721	S *	2/2011	Aglassinger	D8/67
D707,520	S *	6/2014	Aglassinger	D8/68
D708,032	S *	7/2014	Aglassinger	D8/68
D719,428	S *	12/2014	Aoki	D8/68
D761,070	S *	7/2016	Sell	D8/68
D872,552	S *	1/2020	Gu	D8/68
2006/0162943	A1 *	7/2006	Stirm	B25D 11/106 173/114
2006/0272836	A1 *	12/2006	Hirayama	B25F 5/00 173/109
2007/0039747	A1 *	2/2007	Stirm	B25D 11/062 173/109
2009/0056967	A1 *	3/2009	Sell	B25D 17/06 173/205

OTHER PUBLICATIONS

“Drills & Rotary Hammers.” Metabo., Aug. 30, 2017 [online], [retrieved on Jan. 16, 2022]. Retrieved from the Internet <URL: https://www.metabo.com/t3/fileadmin/metabo/au/070_news/2017_Sep/Drills-Hammers_2_2017_12_page_Interactive.pdf>.*

“Sencan 2020 Catalogue—Make Your Work More Efficient.” Sencan., Jan. 16, 2020 [online], [retrieved on Jan. 16, 2022]. Retrieved from the Internet <URL: <https://sencantools.com/uploads/20200609/SENCAN%20catalogue%202020.pdf>>.*

* cited by examiner

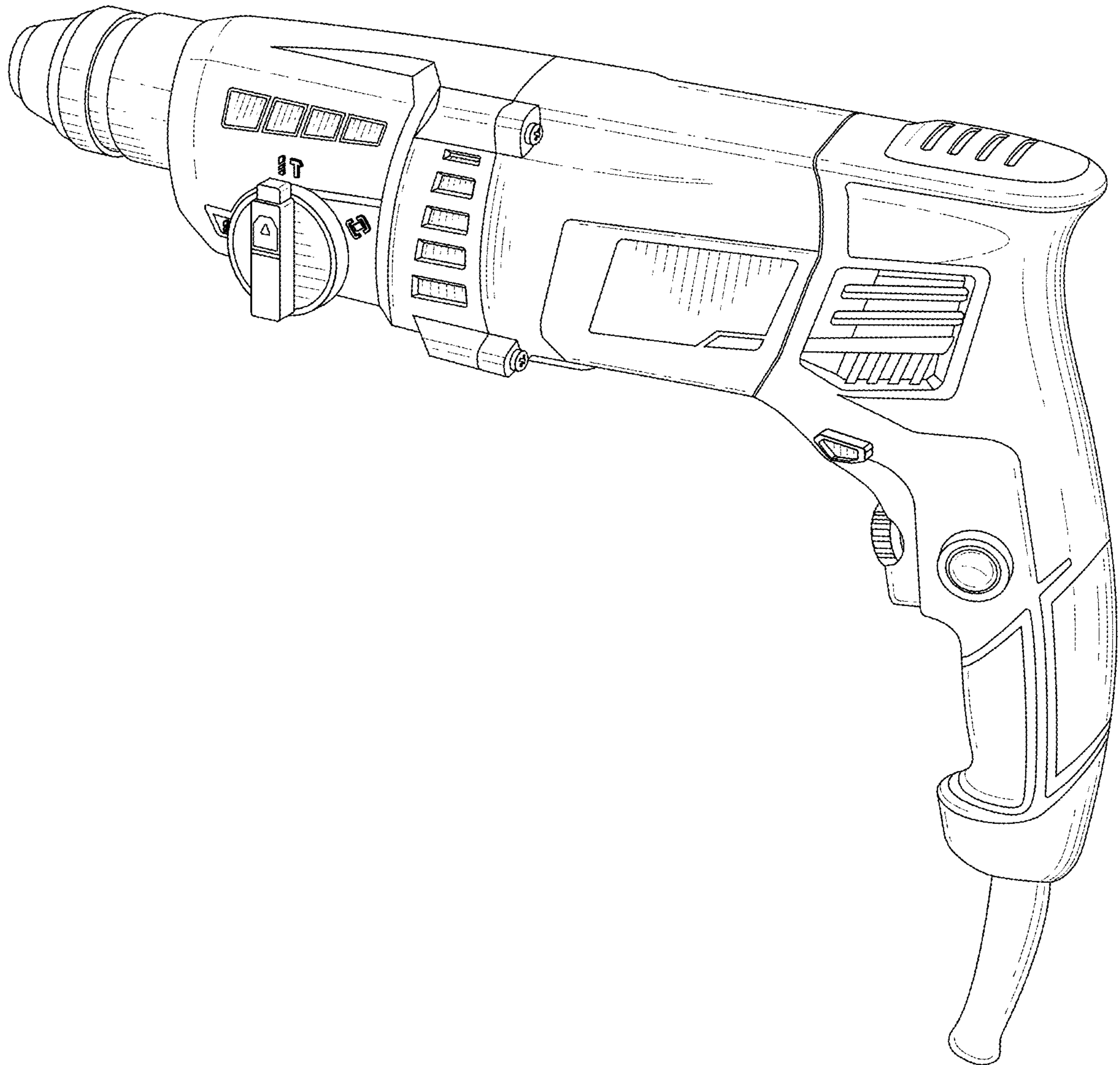


FIG. 1

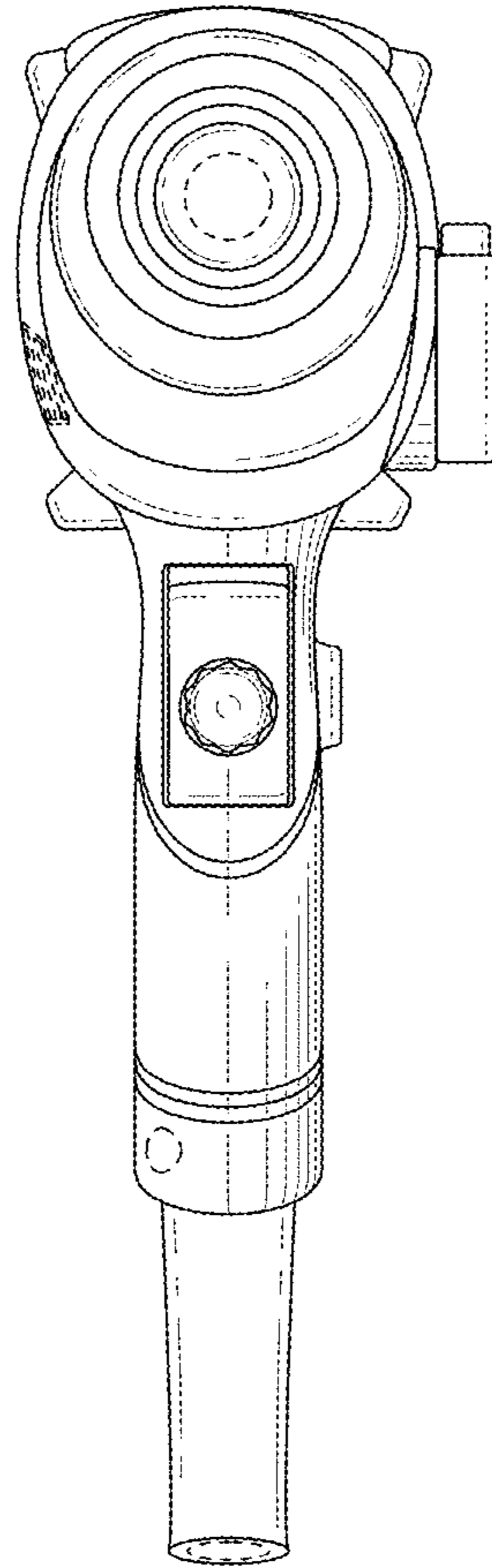


FIG. 2

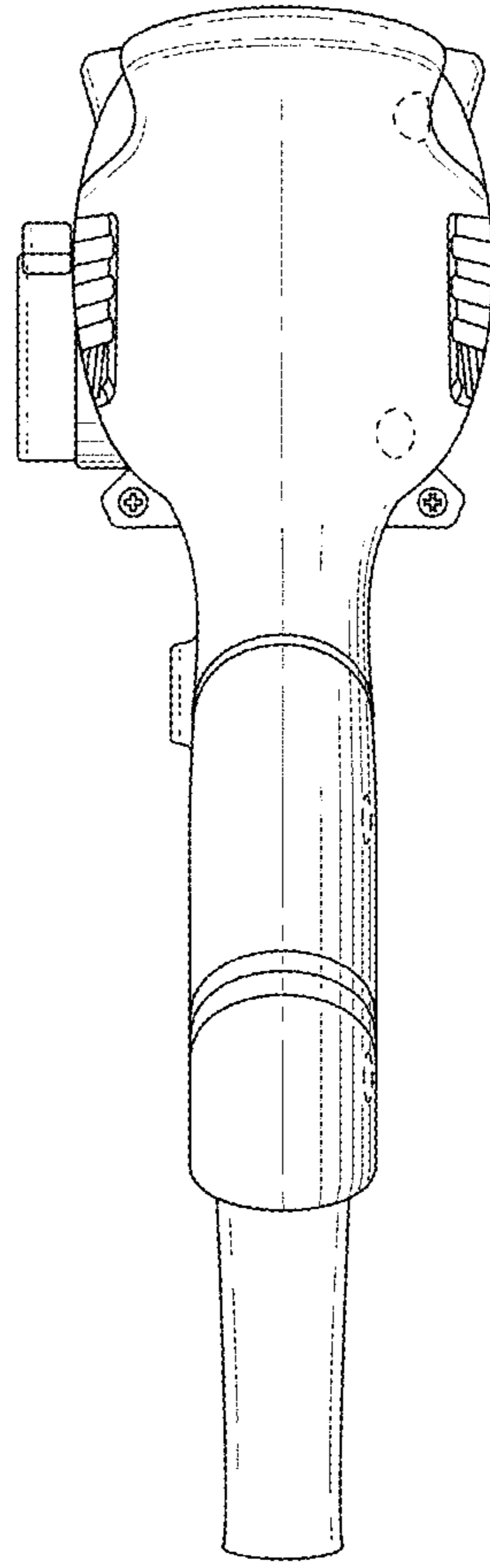


FIG. 3

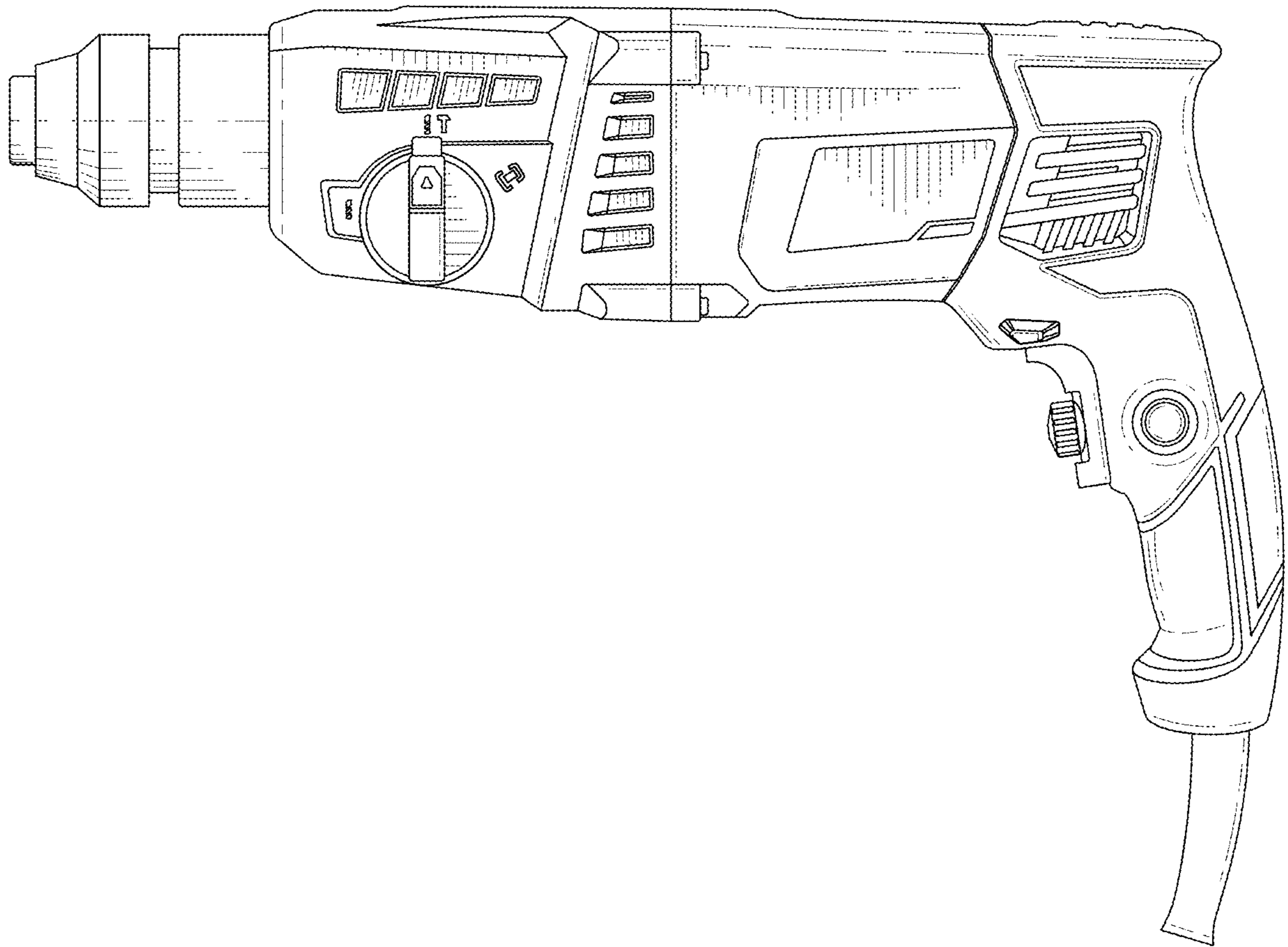


FIG. 4

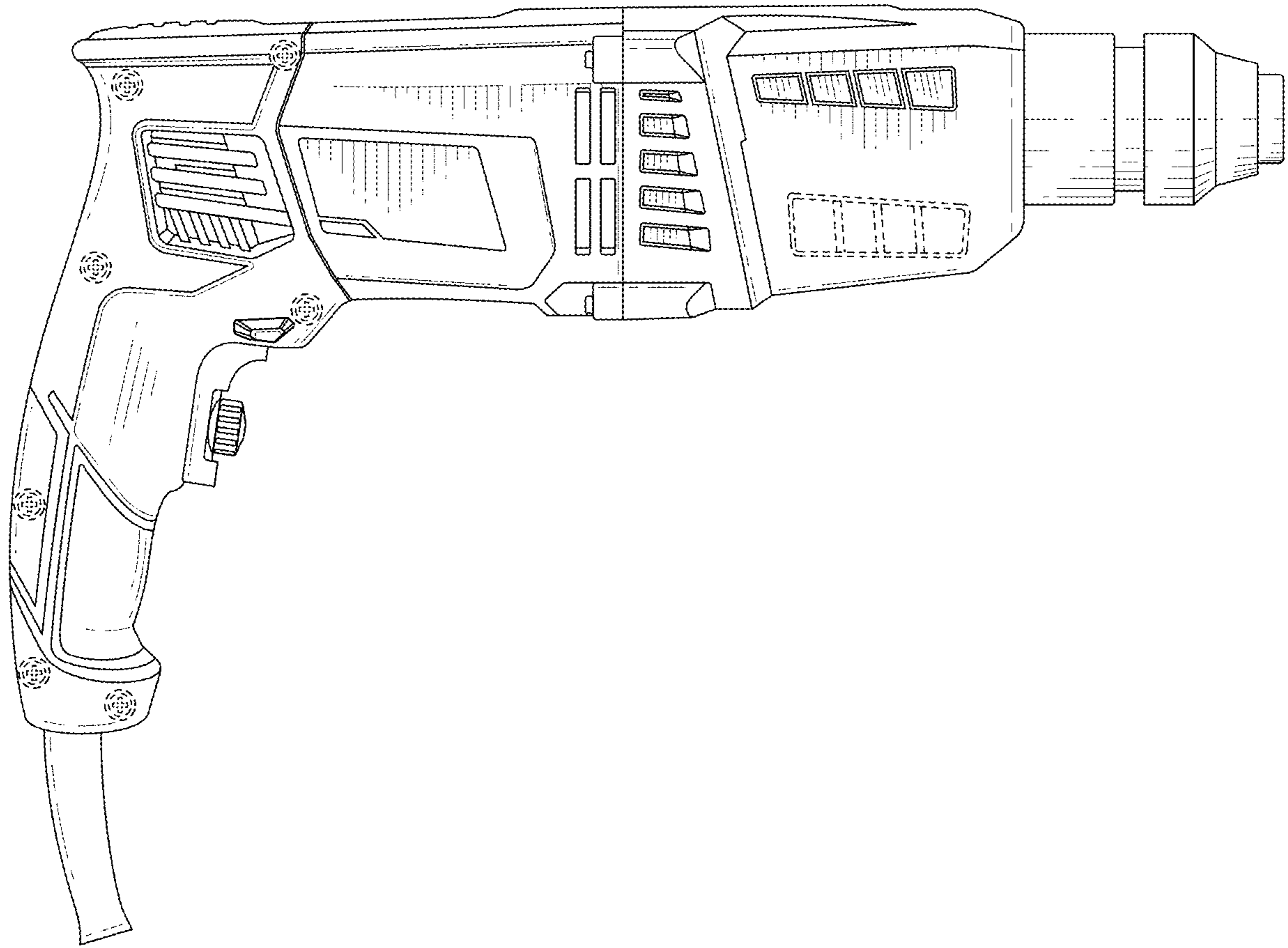


FIG. 5

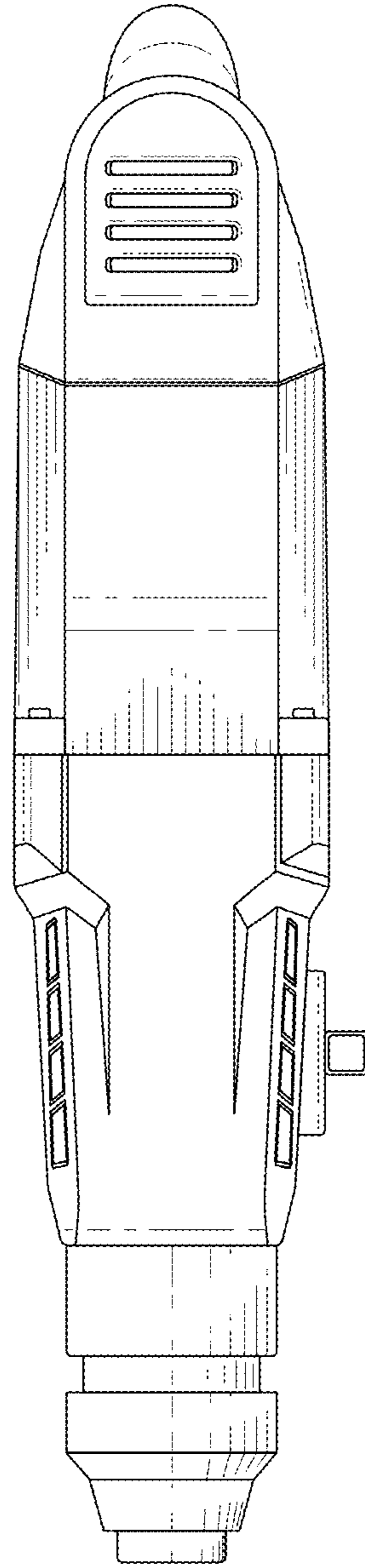


FIG. 6

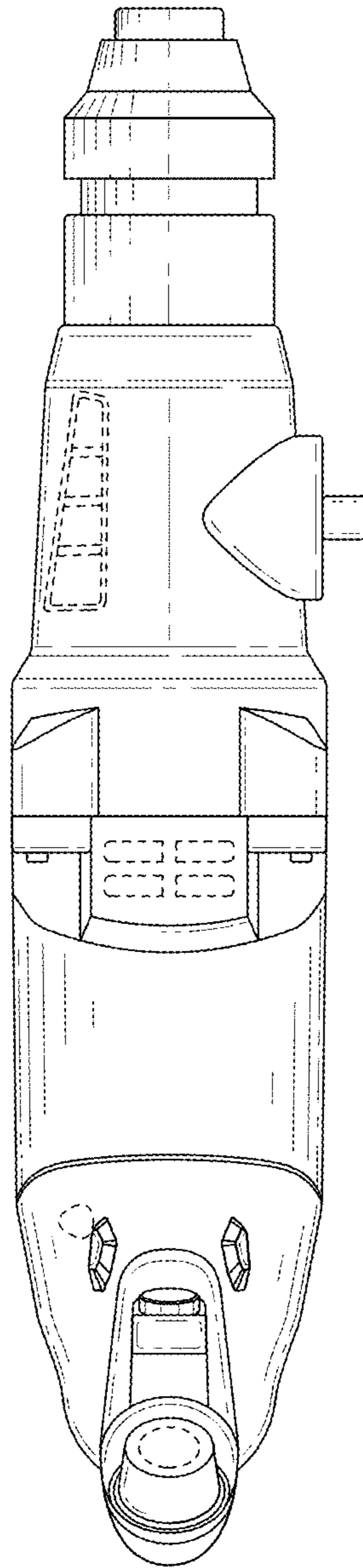


FIG. 7