



US00D947634S

(12) **United States Design Patent**  
**Olmsted et al.**

(10) **Patent No.:** **US D947,634 S**

(45) **Date of Patent:** **\*\* Apr. 5, 2022**

(54) **ANGLE DRILL**

(71) Applicant: **BLACK & DECKER INC.**, New Britain, CT (US)

(72) Inventors: **Zachary S. Olmsted**, Vienna, VA (US);  
**Randall Puzzitiello**, Idlewyld, MD (US)

(73) Assignee: **Black & Decker Inc.**, New Britain, CT (US)

(\*\*) Term: **15 Years**

(21) Appl. No.: **29/760,922**

(22) Filed: **Dec. 4, 2020**

(51) **LOC (13) Cl.** ..... **08-01**

(52) **U.S. Cl.**

USPC ..... **D8/61; D8/67**

(58) **Field of Classification Search**

USPC ..... D8/61, 62, 67, 69; 81/57, 57.11, 57.14,  
81/57.26, 429, 464, 469; 173/2, 170,  
173/176, 181

CPC ..... B25F 5/02; B25F 3/00; Y10T 29/49876;  
Y10T 403/69; Y10T 403/68

See application file for complete search history.

(56) **References Cited**

**U.S. PATENT DOCUMENTS**

D414,093 S \* 9/1999 Zurwelle ..... D8/61  
6,102,632 A \* 8/2000 Potter ..... B25F 5/001  
173/217

6,293,172 B1 \* 9/2001 Smith ..... B23Q 5/043  
81/177.2

D527,970 S \* 9/2006 Vui ..... D8/68

7,137,761 B2 \* 11/2006 Hara ..... B25F 5/021  
408/16

D600,087 S \* 9/2009 DiPasquale ..... D8/69

D600,088 S \* 9/2009 DiPasquale ..... D8/69

8,251,156 B2 \* 8/2012 Norona ..... B23B 45/008  
173/1

8,690,497 B2 \* 4/2014 Bodine ..... B25F 5/02  
408/124

D730,136 S \* 5/2015 Lichtensteiger ..... D8/61

\* cited by examiner

*Primary Examiner* — Austin Murphy

(74) *Attorney, Agent, or Firm* — Scott B. Markow

(57) **CLAIM**

The ornamental design for an angle drill, as shown and described.

**DESCRIPTION**

FIG. 1 is a perspective view of the angle drill.

FIG. 2 is a left plan view thereof.

FIG. 3 is a right plan view thereof.

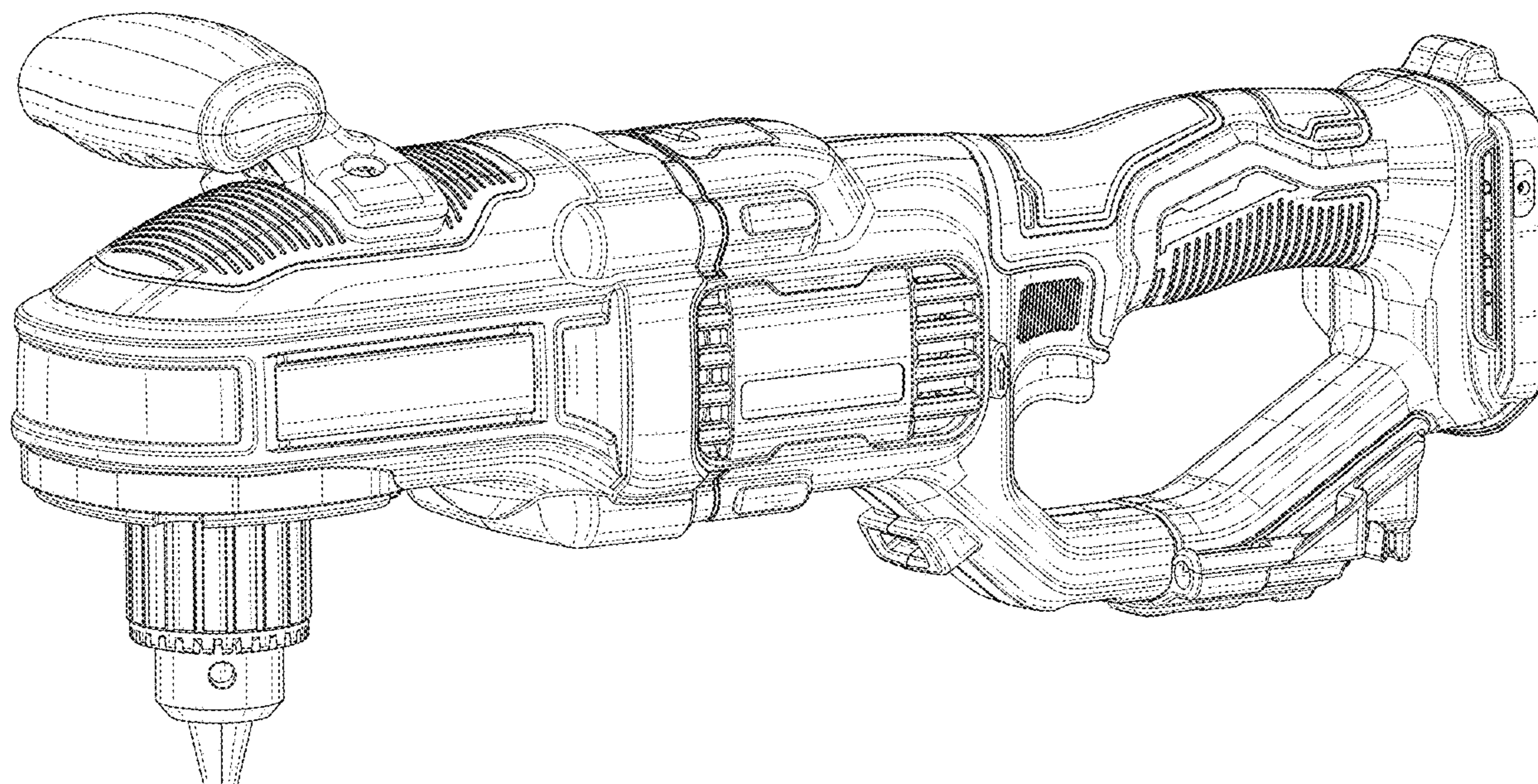
FIG. 4 is a front plan view thereof.

FIG. 5 is a rear plan view thereof.

FIG. 6 is a top plan view thereof; and,

FIG. 7 is a bottom plan view thereof.

**1 Claim, 7 Drawing Sheets**



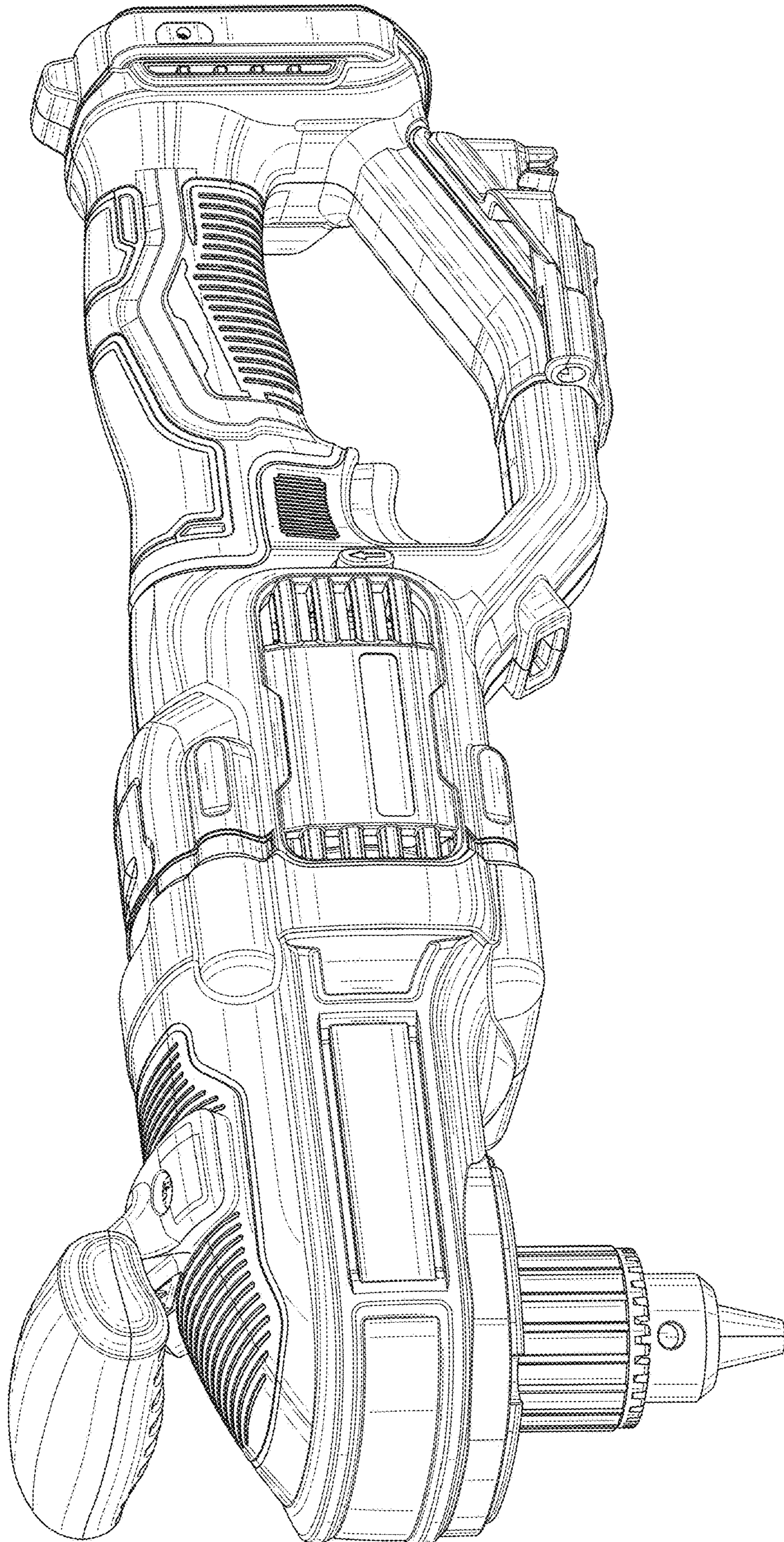


FIG. 1

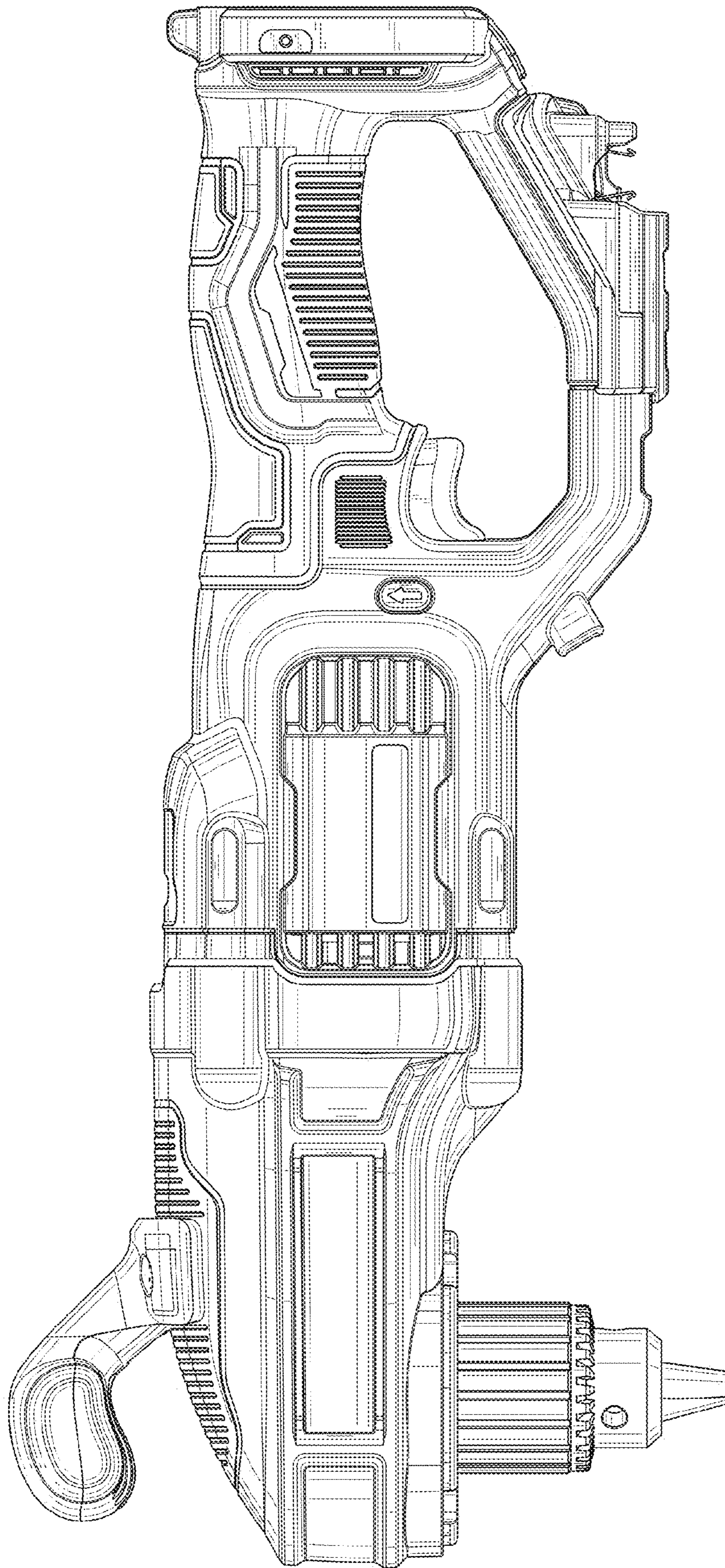


FIG. 2

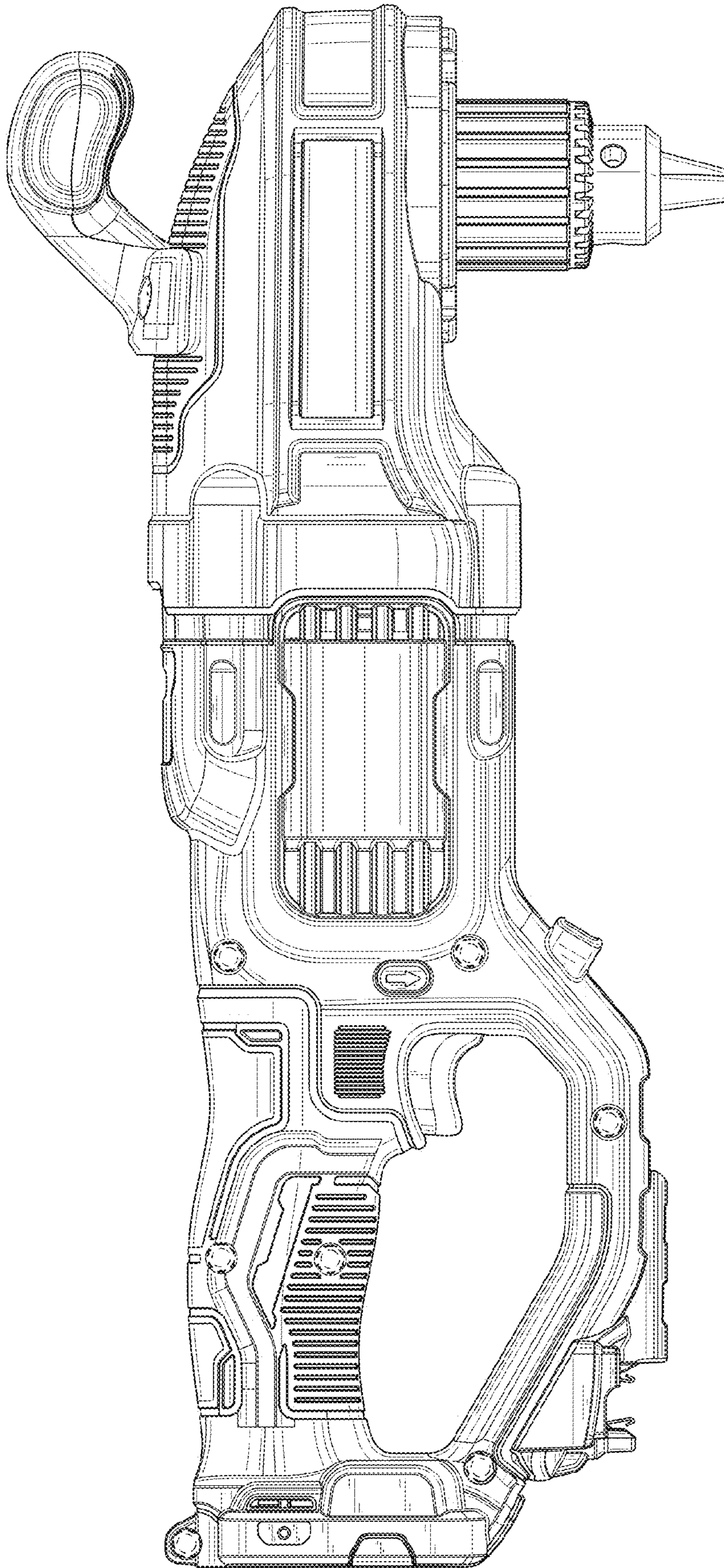


FIG. 3

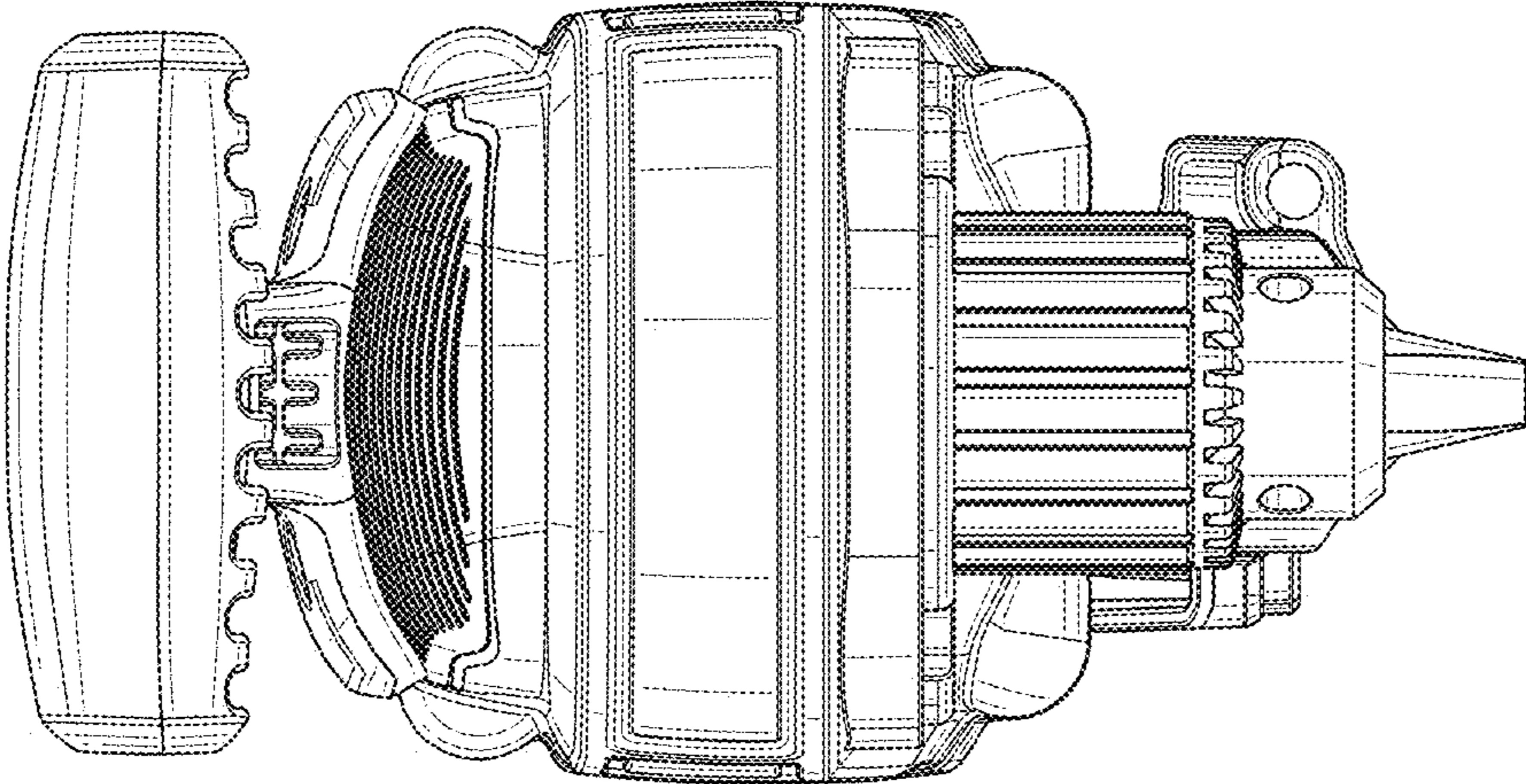


FIG. 4

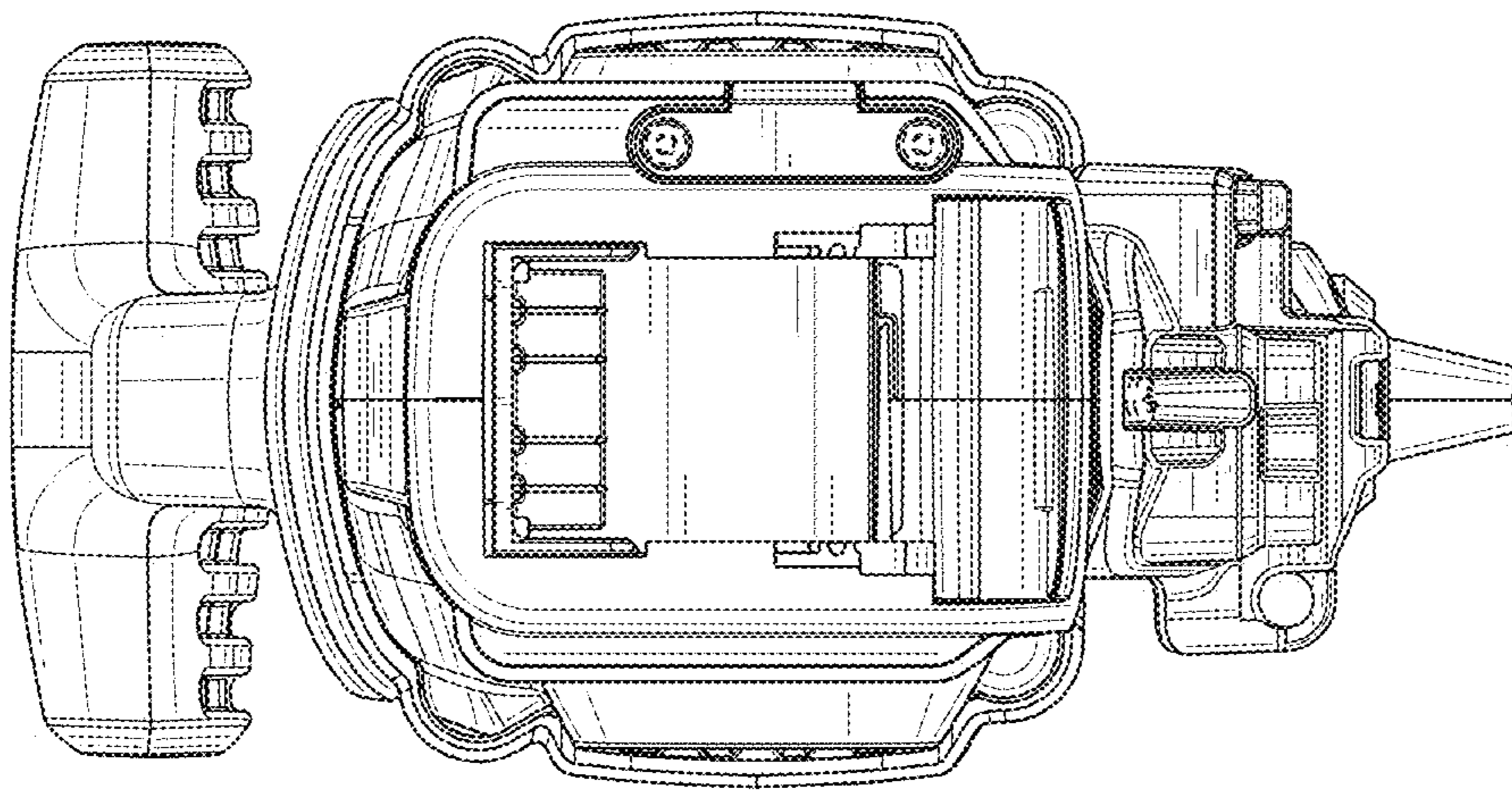


FIG. 5

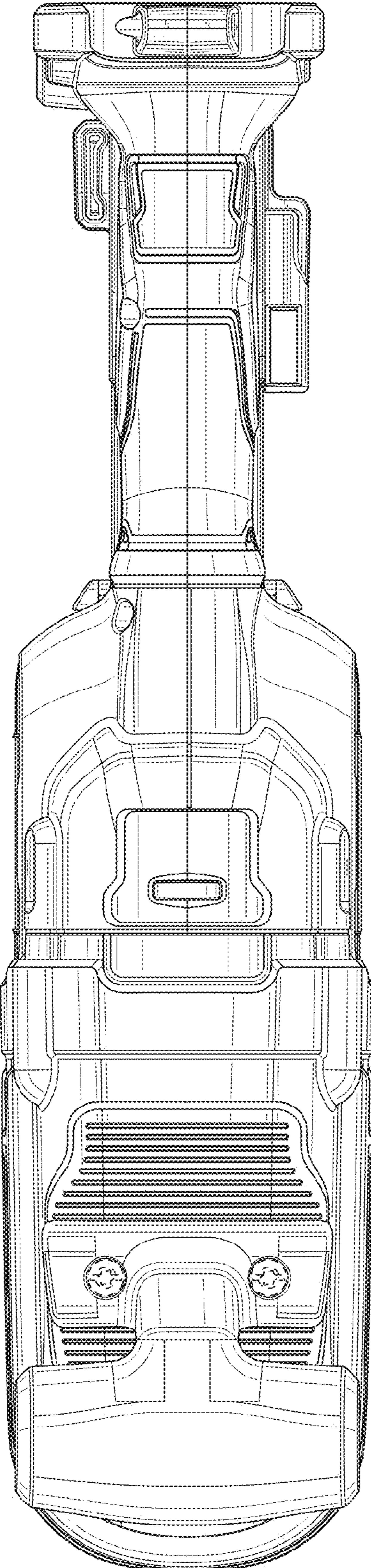


FIG. 6

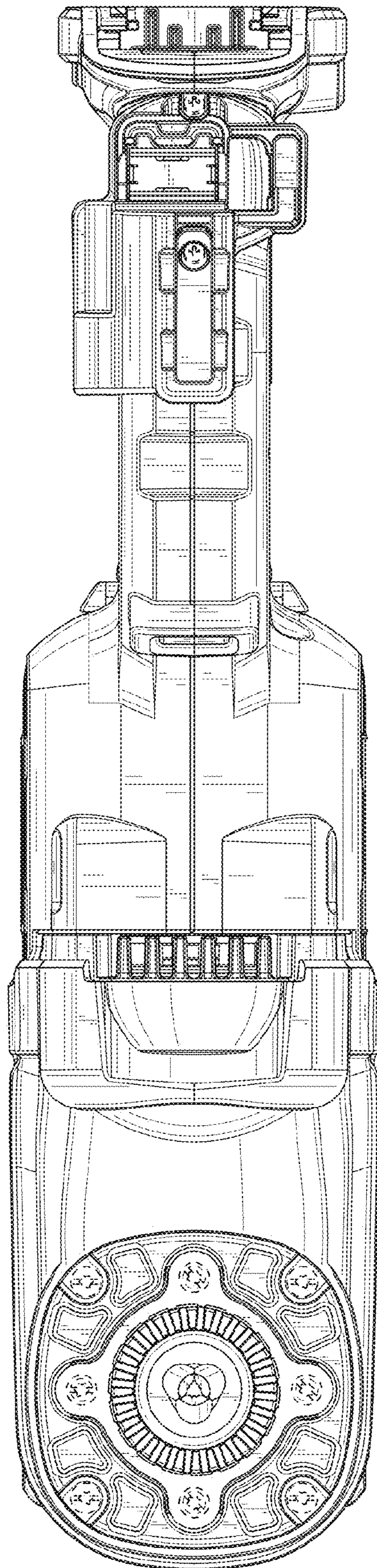


FIG. 7