



US00D947633S

(12) **United States Design Patent** (10) **Patent No.:** **US D947,633 S**  
**Sha** (45) **Date of Patent:** **\*\* Apr. 5, 2022**

(54) **TOOL**  
(71) Applicant: **Ideal Living, LLC**, Sherman Oaks, CA (US)  
(72) Inventor: **Xin Sha**, Nanjing (CN)  
(73) Assignee: **IDEAL LIVING, LLC**, Sherman Oaks, CA (US)  
(\*\*) Term: **15 Years**

D648,999 S \* 11/2011 Moreno ..... D8/66  
D651,882 S \* 1/2012 Zhou ..... D8/66  
D693,664 S \* 11/2013 Martin ..... D8/64  
D801,144 S \* 10/2017 Di Iulio ..... D8/61  
D813,633 S \* 3/2018 Waldron ..... D8/66  
D892,584 S \* 8/2020 Matteo ..... D8/62  
2008/0244910 A1 \* 10/2008 Patel ..... B23D 47/02  
30/123  
2013/0081286 A1 \* 4/2013 Moreno ..... B23D 45/16  
30/377  
2013/0081529 A1 \* 4/2013 Holba ..... B27G 5/02  
83/821

(21) Appl. No.: **29/729,736**  
(22) Filed: **Mar. 30, 2020**

(30) **Foreign Application Priority Data**  
Jan. 2, 2020 (CN) ..... 201930494792.6  
(51) **LOC (13) Cl.** ..... **08-05**  
(52) **U.S. Cl.**  
USPC ..... **D8/61**  
(58) **Field of Classification Search**  
USPC ..... D8/64, 65, 66, 61-62, 105; D15/130,  
D15/139; D21/532  
CPC ..... B26B 25/002; A61B 17/147; B23D 45/16;  
A22B 5/165; A22C 17/04  
See application file for complete search history.

(56) **References Cited**  
**U.S. PATENT DOCUMENTS**  
D266,222 S \* 9/1982 Buscher ..... D8/61  
4,771,542 A \* 9/1988 Beveridge ..... B23D 29/00  
30/277.4  
D303,346 S \* 9/1989 Ogawa ..... D8/61  
D455,326 S \* 4/2002 Schoen ..... D8/61  
D492,560 S \* 7/2004 Refson ..... D8/61  
D564,850 S \* 3/2008 Bakker ..... D8/61  
D586,636 S \* 2/2009 Aglassinger ..... D8/66  
D630,074 S \* 1/2011 Wasielewski ..... D8/61

**OTHER PUBLICATIONS**

Official ROTORAZER Compact Circular Saw Set, Date Visited: Apr. 20, 2021, Amazon.com, Date Available: Sep. 10, 2014, <https://www.amazon.com/ROTORAZER-Circular-Saw-improvement-Projects/dp/B07W58XQZM> (Year: 2014).\*

(Continued)

*Primary Examiner* — Susan Bennett Hattan  
*Assistant Examiner* — Elizabeth S Ko  
(74) *Attorney, Agent, or Firm* — Eversheds Sutherland (US) LLP

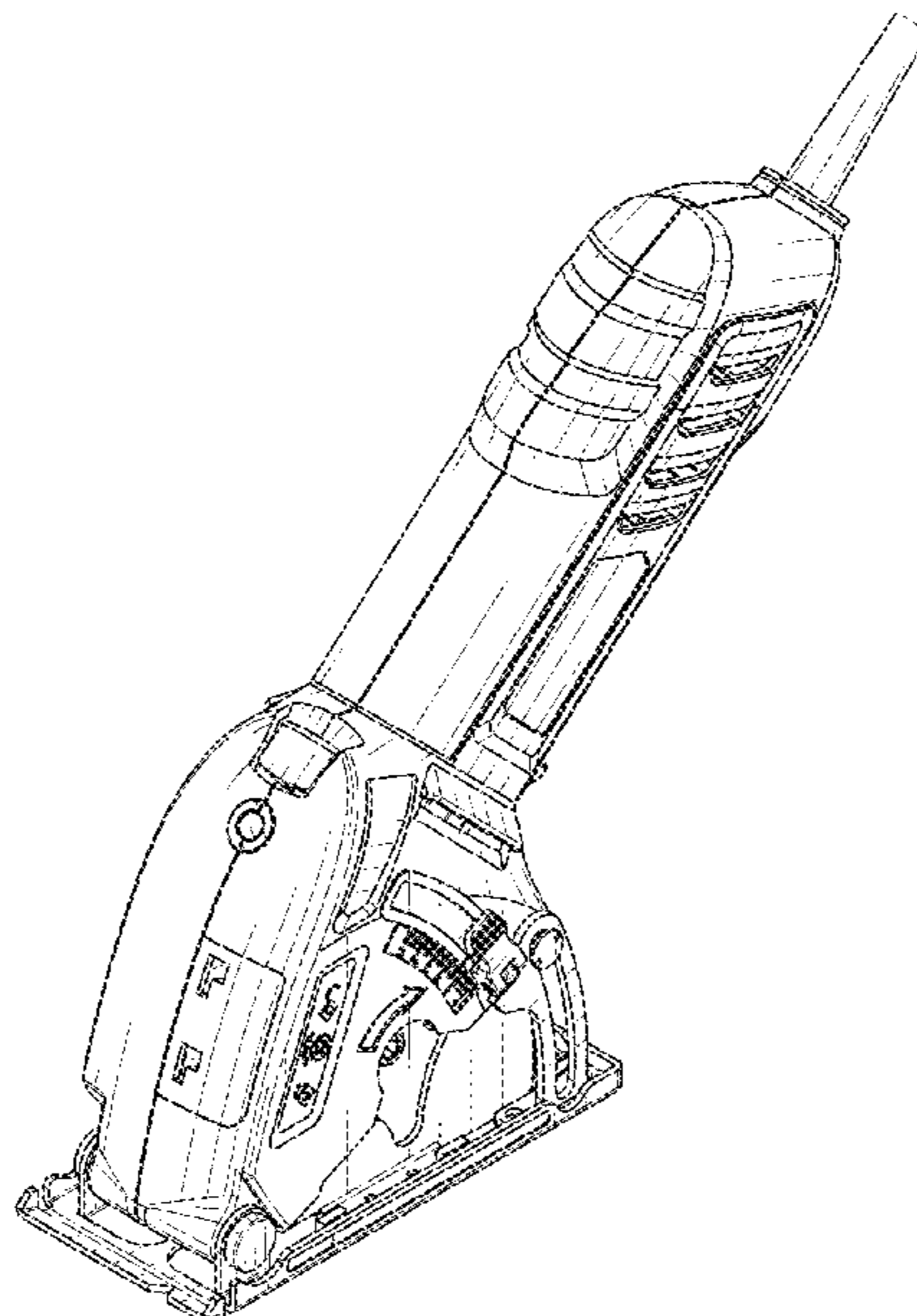
(57) **CLAIM**

The ornamental design for a tool, as shown and described.

**DESCRIPTION**

FIG. 1 is a perspective view of a tool;  
FIG. 2 is a side view thereof;  
FIG. 3 is a side view thereof;  
FIG. 4 is a front view thereof;  
FIG. 5 is a rear view thereof;  
FIG. 6 is a top view thereof; and,  
FIG. 7 is a bottom view thereof.  
The broken lines in the drawings depict portions of the tool that form no part of the claimed design.

**1 Claim, 5 Drawing Sheets**



(56)

**References Cited**

OTHER PUBLICATIONS

ToolTronix Mini Circular Saw Strong Tool, Date Visited: Apr. 20, 2021, Amazon.com, Date Available: May 1, 2018, <https://www.amazon.co.uk/Laptronix-Circular-Strong-54-8mm-Blades/dp/B07GXWP6JN> (Year: 2018).\*

WORX WX423 85mm 400W Compact Circular Saw, Date Visited: Apr. 20, 2021, Amazon.com, Date Available: Jan. 11, 2016, <https://www.amazon.co.uk/WORX-WX423-Compact-Circular-Worxsaw/dp/B01AI44PSK> (Year: 2016).\*

\* cited by examiner

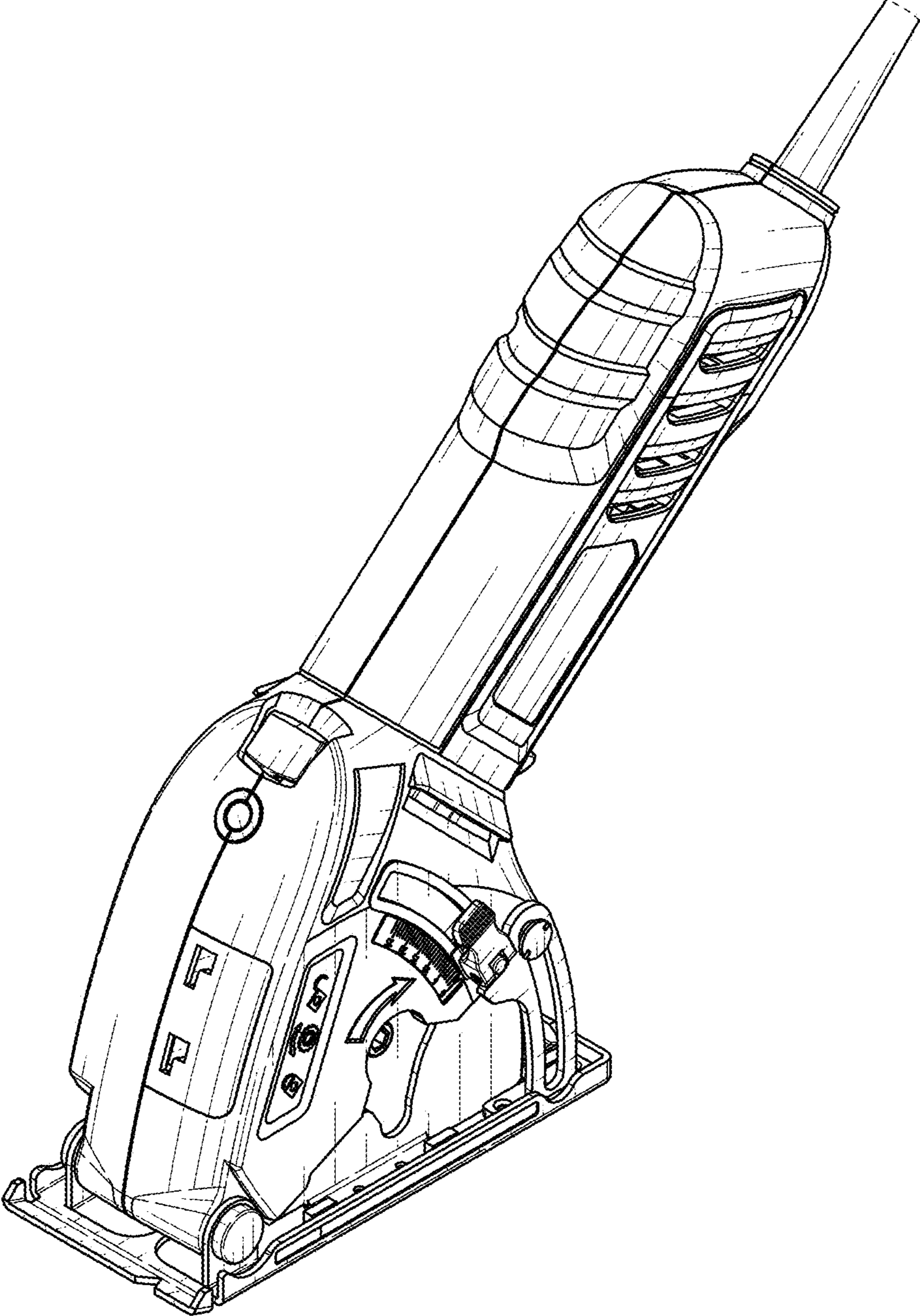


FIG. 1

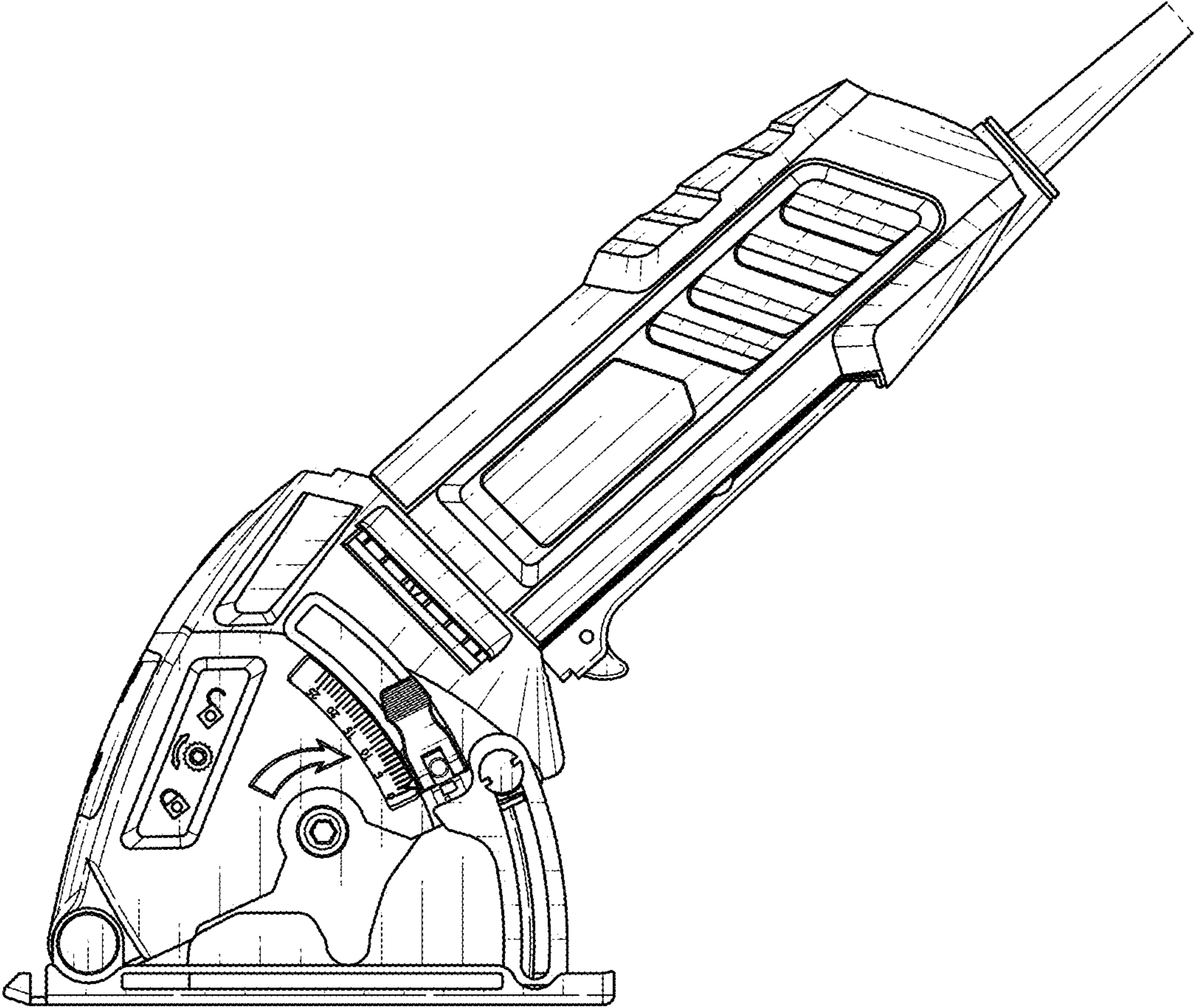


FIG. 2

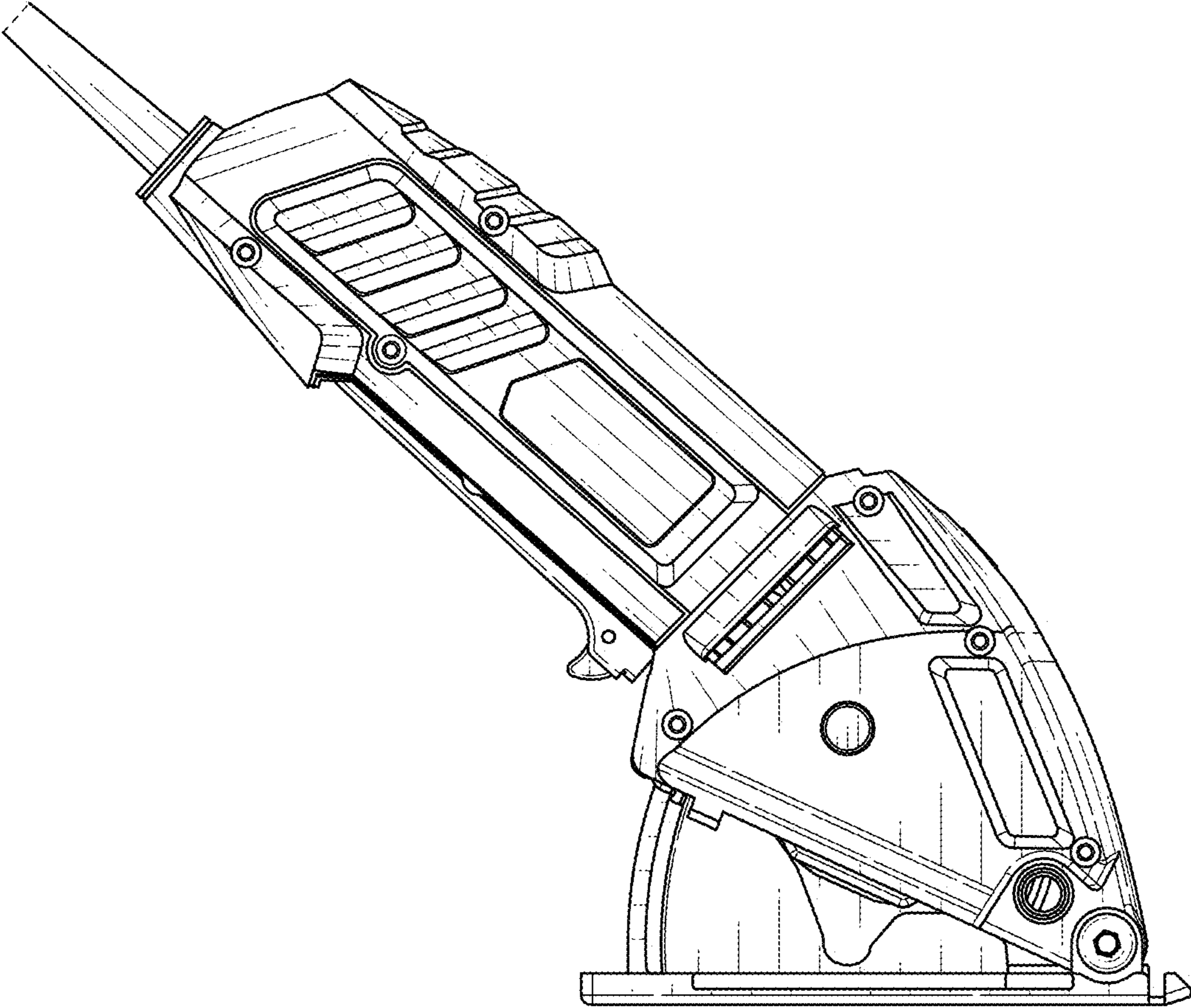


FIG. 3

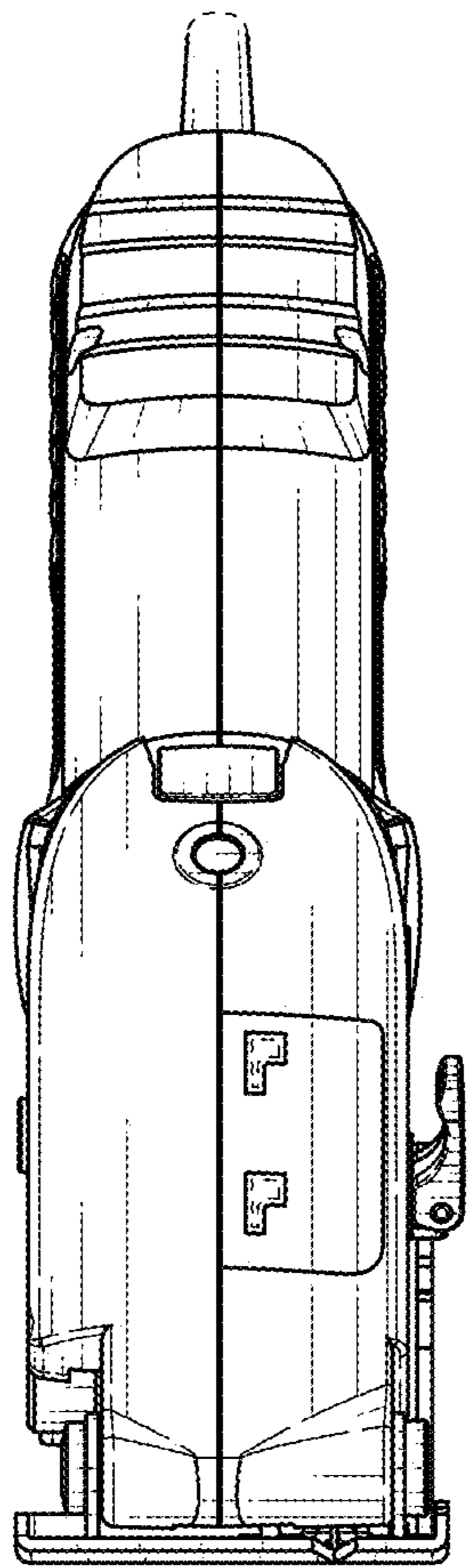


FIG. 4

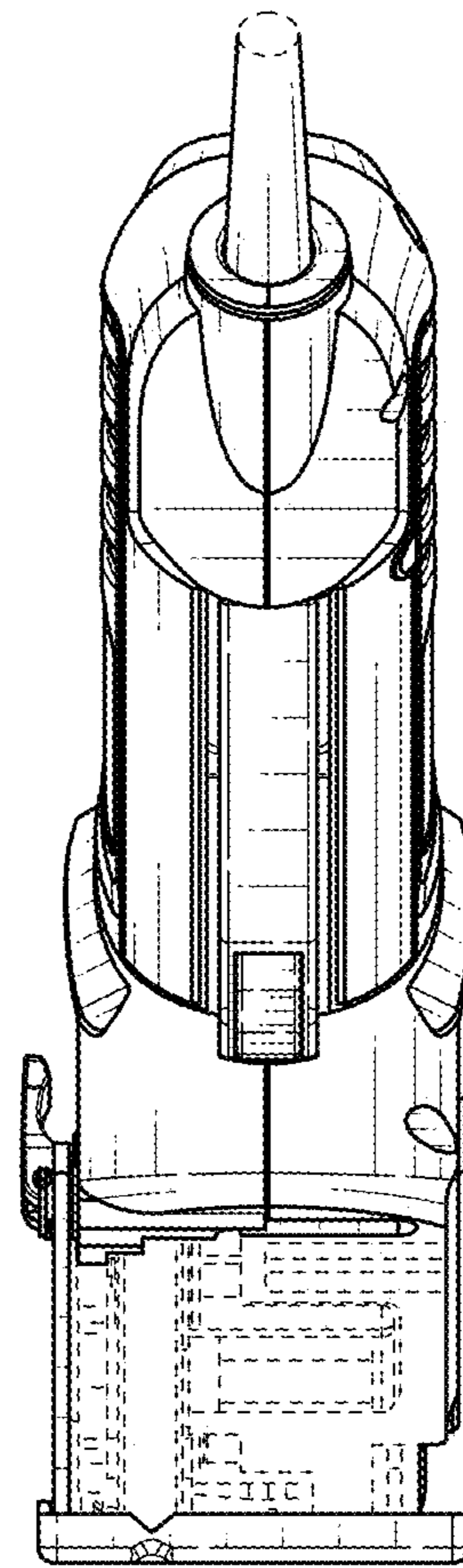


FIG. 5

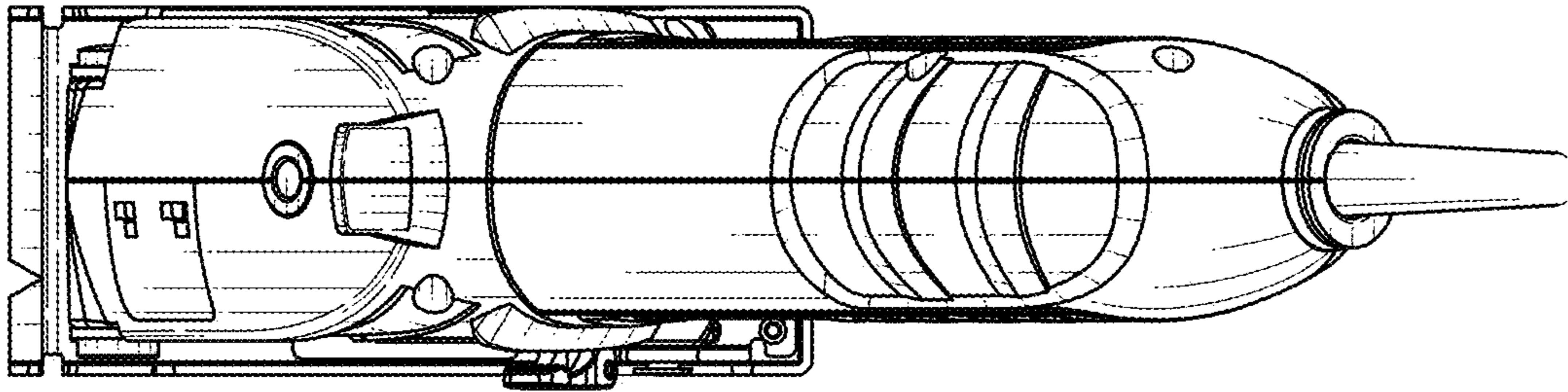


FIG. 6

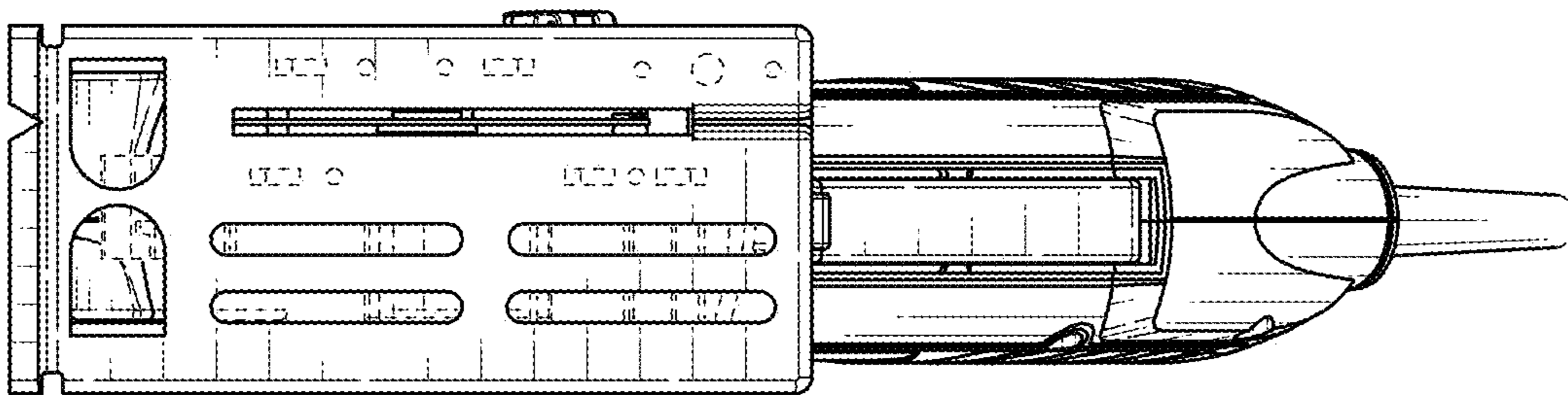


FIG. 7