



US00D947632S

(12) **United States Design Patent**
Barezzani

(10) **Patent No.:** **US D947,632 S**

(45) **Date of Patent:** **** Apr. 5, 2022**

(54) **TOOL JAW**
(71) Applicant: **Cembre S.p.A.**, Brescia (IT)
(72) Inventor: **Gualtiero Barezzani**, Concesio (IT)
(73) Assignee: **CEMBRE S.P.A.**, Brescia (IT)
(**) Term: **15 Years**
(21) Appl. No.: **29/729,567**

8,056,473 B2 * 11/2011 Frenken B30B 15/16
100/35
8,276,430 B2 * 10/2012 Barezzani B25B 27/146
72/453.15
8,316,685 B2 * 11/2012 Stucki B25B 27/10
72/452.8
D710,173 S * 8/2014 Frenken D8/68
8,919,176 B2 * 12/2014 Barezzani B25B 27/10
72/453.05
8,997,543 B2 * 4/2015 Therrien H01R 43/042
72/414

(Continued)

(22) Filed: **Mar. 27, 2020**

OTHER PUBLICATIONS

(30) **Foreign Application Priority Data**

Nov. 7, 2019 (EM) 007193974

(51) **LOC (13) Cl.** **08-03**

(52) **U.S. Cl.**
USPC **D8/61; D8/70**

(58) **Field of Classification Search**
USPC D8/61, 62, 67, 69
CPC B25B 7/12; B25B 7/126; B25B 27/00;
B25B 27/10; B25B 27/14; B25B 27/146;
B25B 28/00; B23D 15/14; B23D 29/002;
B25F 5/005; F15B 11/08; F15B 13/0401;
F15B 20/002; H01R 43/048; H02K 7/145
See application file for complete search history.

“Hydraulic Rebar Cutter Concrete Construction Tool (3/8”, 8 Ton G-10.” Amazon., Jun. 14, 2017 [online], [retrieved on Nov. 9, 2021]. Retrieved from the Internet <URL: <https://www.amazon.com/Hydraulic-Rebar-Cutter-Concrete-Construction/dp/B00XKCVJ00>>.*

(Continued)

Primary Examiner — Darlington Ly
(74) *Attorney, Agent, or Firm* — McAndrews, Held & Malloy, Ltd.

(57) **CLAIM**
The ornamental design for a tool jaw, as shown and described.

DESCRIPTION

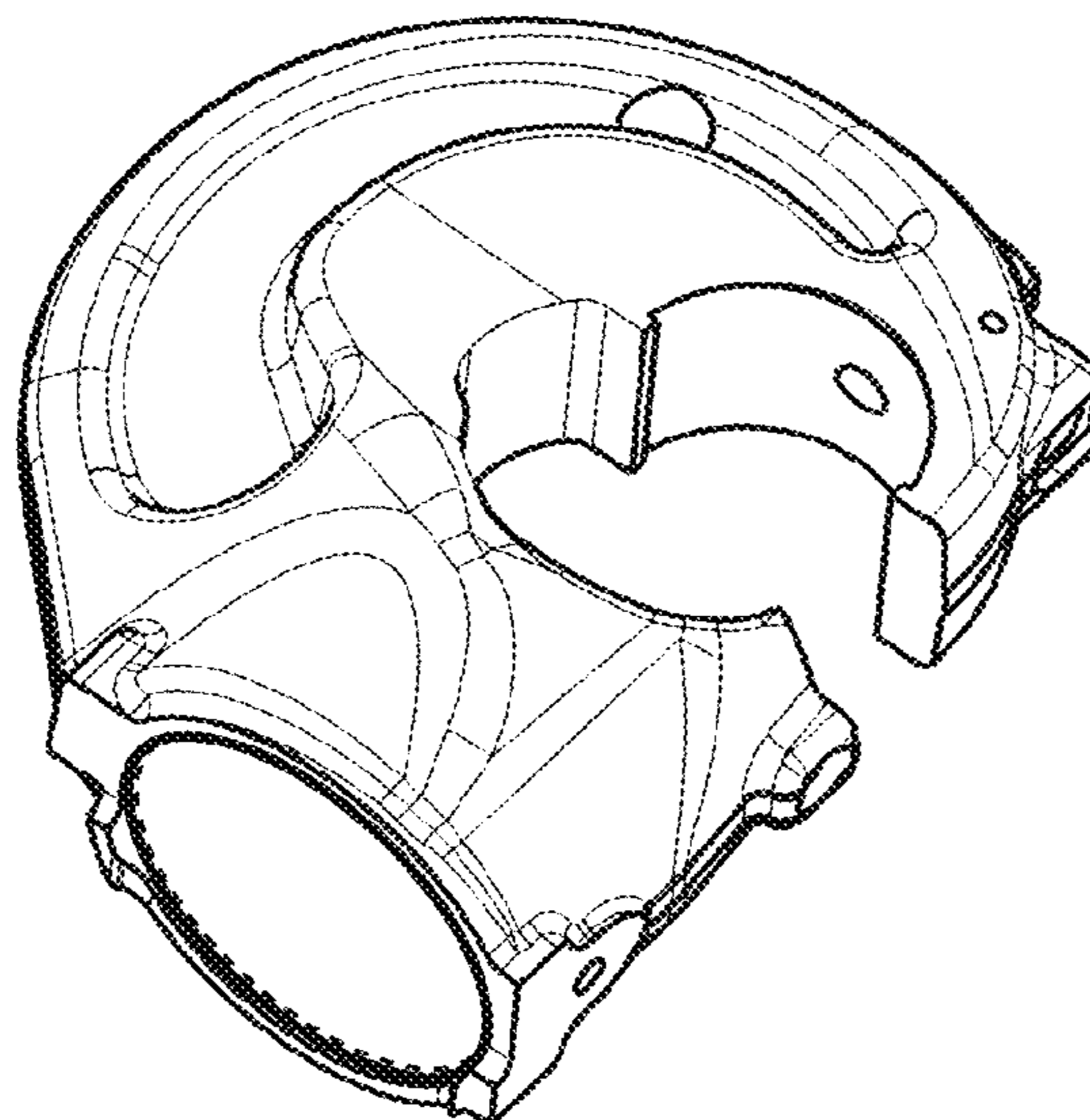
(56) **References Cited**

U.S. PATENT DOCUMENTS

3,492,854 A * 2/1970 Eppler H01R 43/042
72/412
D387,961 S * 12/1997 Yasui D8/68
D408,242 S * 4/1999 Yamamoto D8/61
D487,220 S * 3/2004 Phillips D8/71
D487,864 S * 3/2004 Varzino D8/71
6,718,870 B1 * 4/2004 Frenken B25B 27/10
100/102
D536,586 S * 2/2007 Macor D8/52
7,908,963 B2 * 3/2011 Frenken B21J 15/20
100/269.01

FIG. 1 is a left side perspective view of a tool jaw showing my new design;
FIG. 2 is a front elevation view thereof;
FIG. 3 is a rear elevation view thereof;
FIG. 4 is a right side elevation view thereof;
FIG. 5 is a left side elevation view thereof;
FIG. 6 is a top plan view thereof; and,
FIG. 7 is a bottom plan view thereof.
The broken lines in the figures illustrate portions of the tool jaw that form no part of the claimed design.

1 Claim, 4 Drawing Sheets



(56)

References Cited

U.S. PATENT DOCUMENTS

D767,960 S * 10/2016 Haneishi D8/61
 D805,365 S * 12/2017 Ballard D8/69
 D821,832 S * 7/2018 Adams D8/5
 D845,729 S * 4/2019 Kitahara D8/61
 D845,734 S * 4/2019 Kamijo D8/68
 10,293,509 B2 * 5/2019 Barezzani B26B 27/00
 10,471,578 B2 * 11/2019 Barezzani F15B 20/002
 10,646,983 B2 * 5/2020 Barezzani B25B 27/026
 D887,238 S * 6/2020 Cooper D8/52
 D891,212 S * 7/2020 Suzuki D8/61
 2009/0313820 A1 * 12/2009 Roman, Jr. H01R 43/0428
 29/863
 2010/0000288 A1 * 1/2010 Barezzani B21J 15/20
 72/453.15
 2014/0182874 A1 * 7/2014 Barezzani B25B 27/10
 173/217
 2017/0165856 A1 * 6/2017 Barezzani H02G 1/005

2017/0266791 A1 * 9/2017 Barezzani B23D 29/00
 2018/0161889 A1 * 6/2018 Barezzani H02G 1/005
 2021/0129310 A1 * 5/2021 Barezzani B21D 39/048

OTHER PUBLICATIONS

“Hydraulic Crimp Tooling.” TE Connectivity., Apr. 25, 2013 [online], [retrieved on Nov. 9, 2021]. Retrieved from the Internet <URL: <https://docs.rs-online.com/6c49/0900766b81633cb9.pdf>>.*
 “Tools For Crimping—Hand tools, Applicators, Presses, Cables.” Microdis., Mar. 6, 2015 [online], [retrieved on Nov. 9, 2021]. Retrieved from the Internet <URL: https://www.amazon.com/CKE-Upgraded-Hydraulic-Stainless-Fittings/dp/B08D63SCH4/ref=sr_1_10?https://microdis.net/files/Microdis_TOOLS.pdf>.*
 “Happybuy Rebar Cutter, 1350W 110V Electric Hydraulic Rebar Cutter with Jaw Blades Cut 7/8inch 22mm Rebar within 4.5 sec.” Amazon., Oct. 31, 2016 [online], [retrieved on Nov. 9, 2021]. Retrieved from the Internet <URL: <https://www.amazon.com/Happybuy-Electric-Hydraulic-3-5-4-5-Cutting/dp/B01M347YSV?th=1>>.*

* cited by examiner

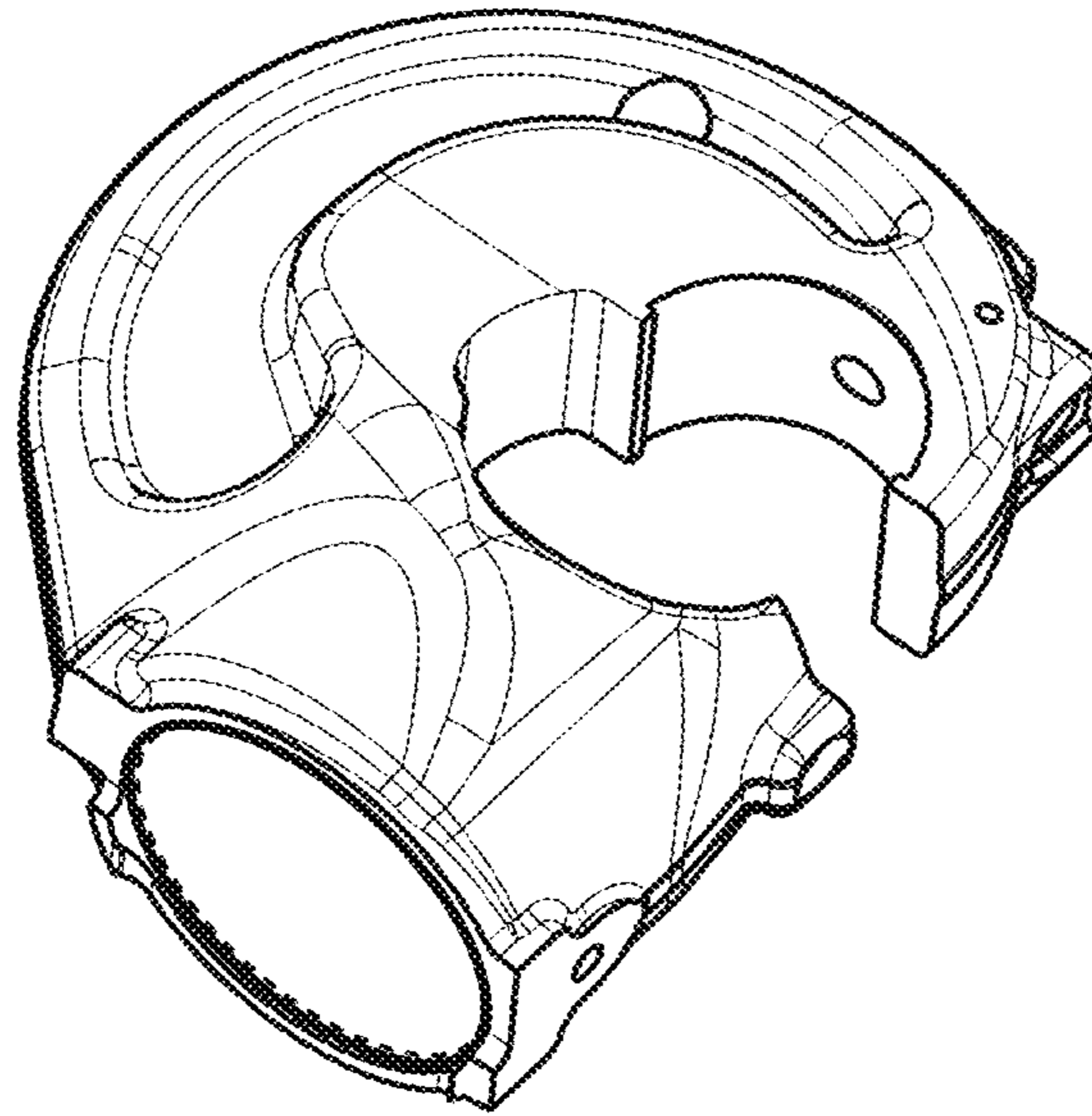


FIG. 1

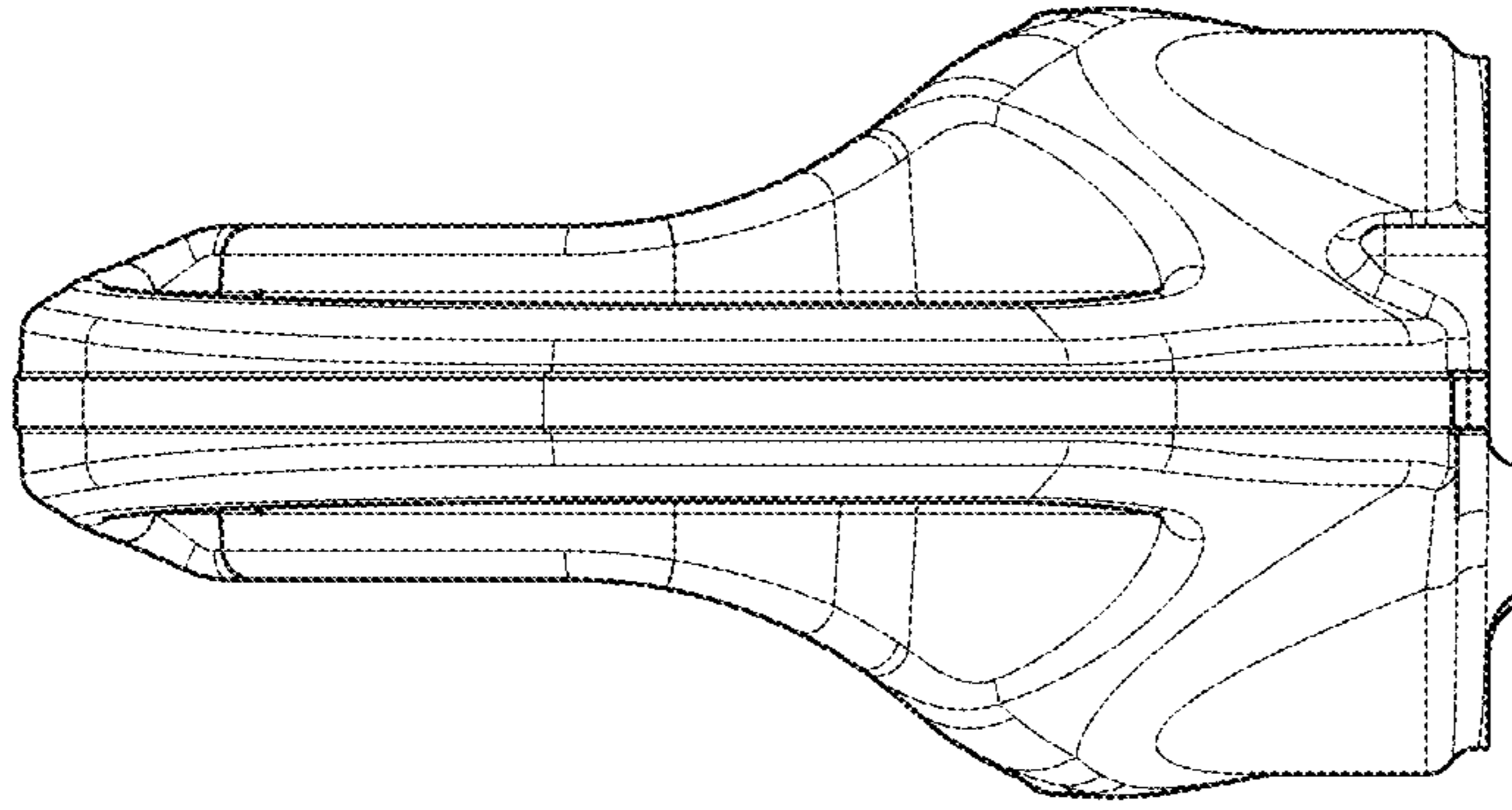


FIG. 2

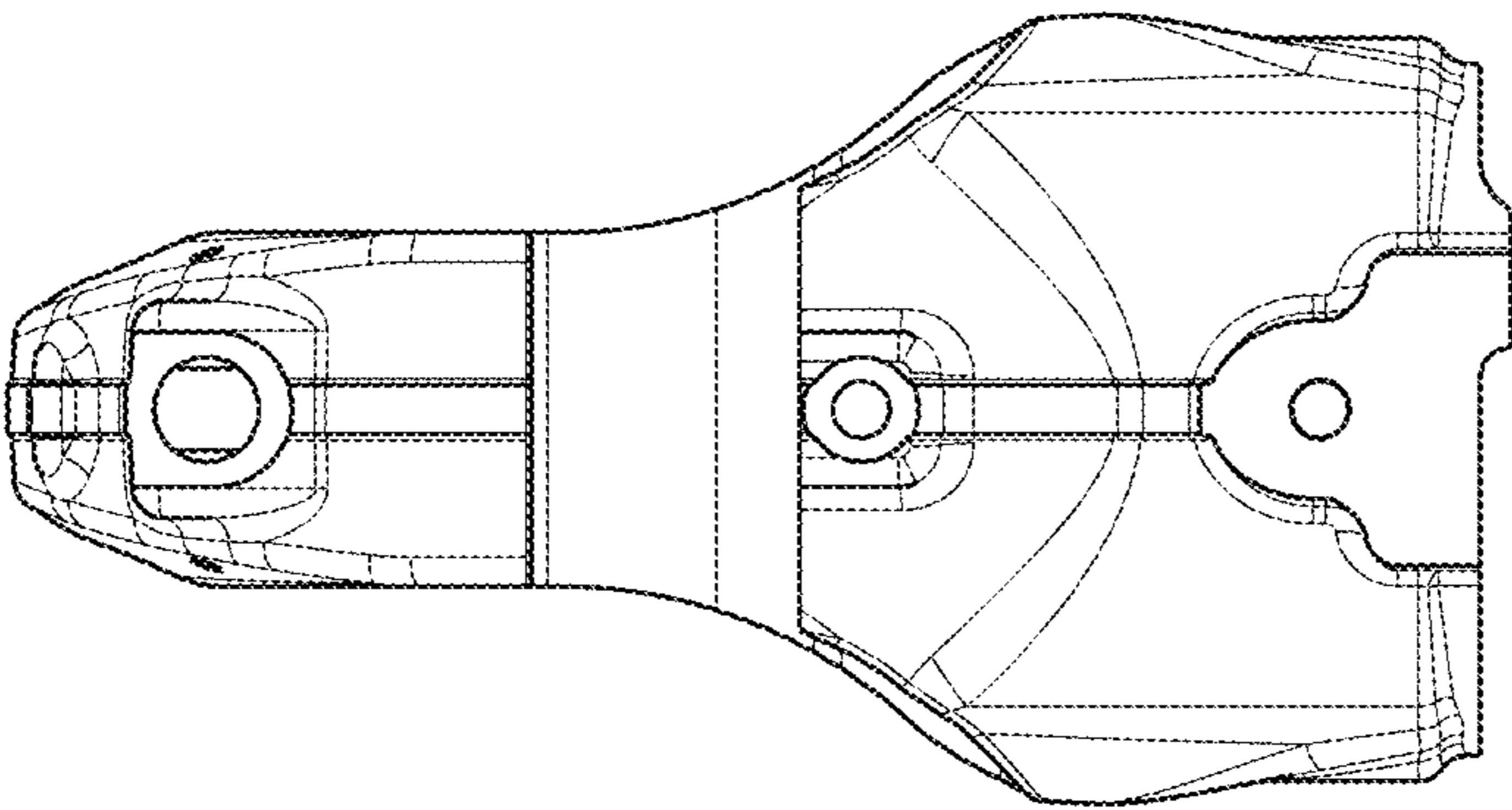


FIG. 3

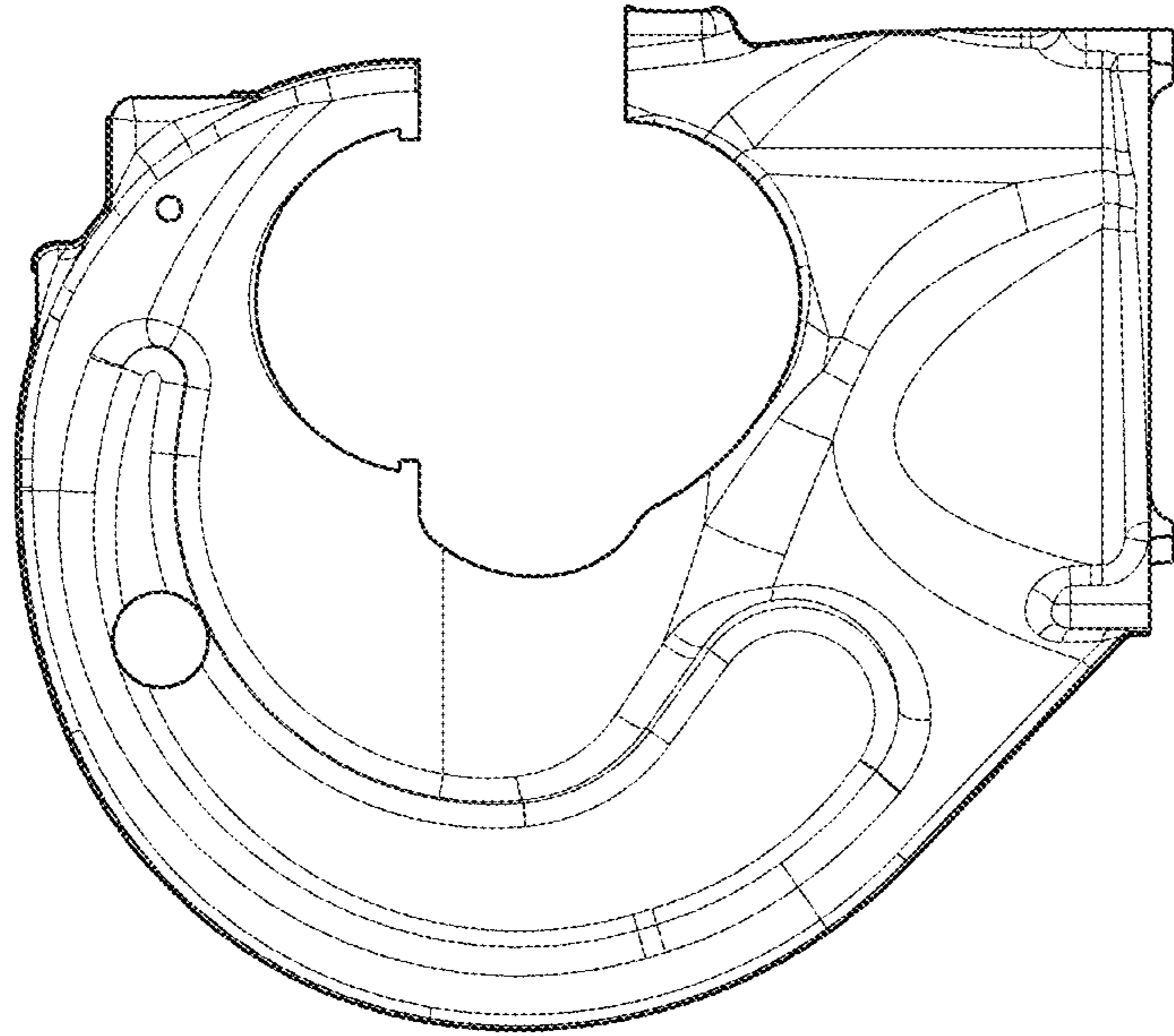


FIG. 5

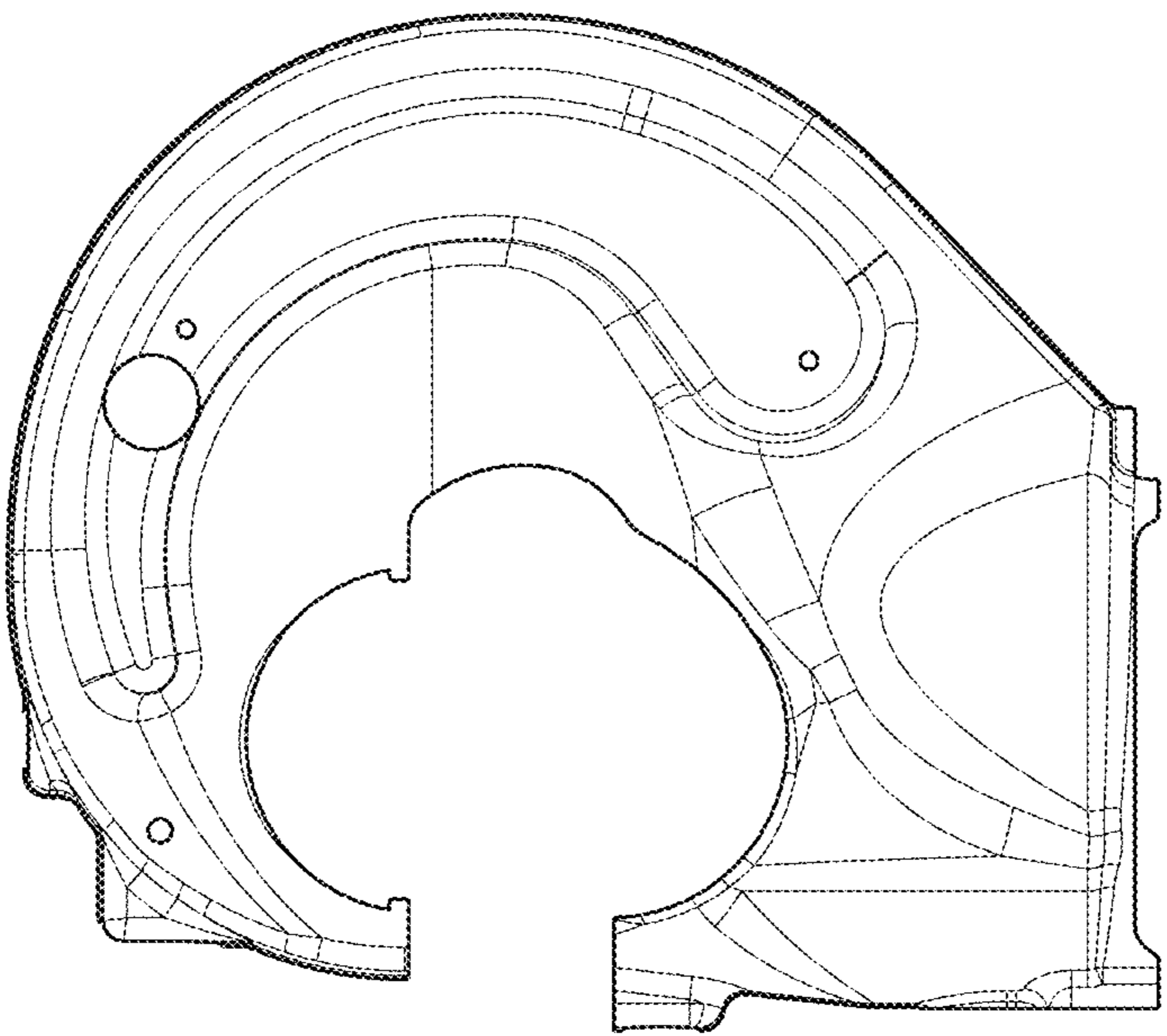


FIG. 4

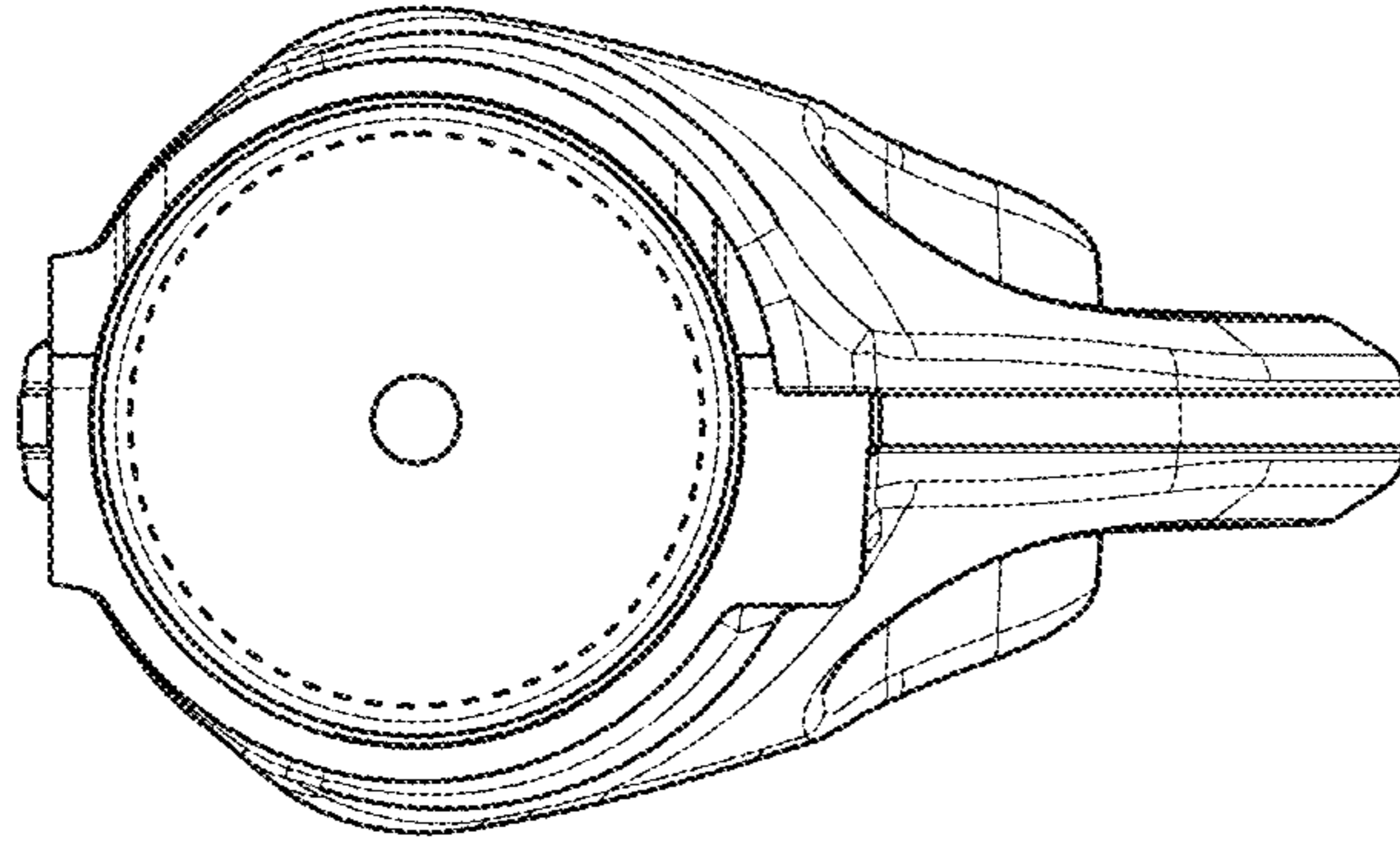


FIG. 6

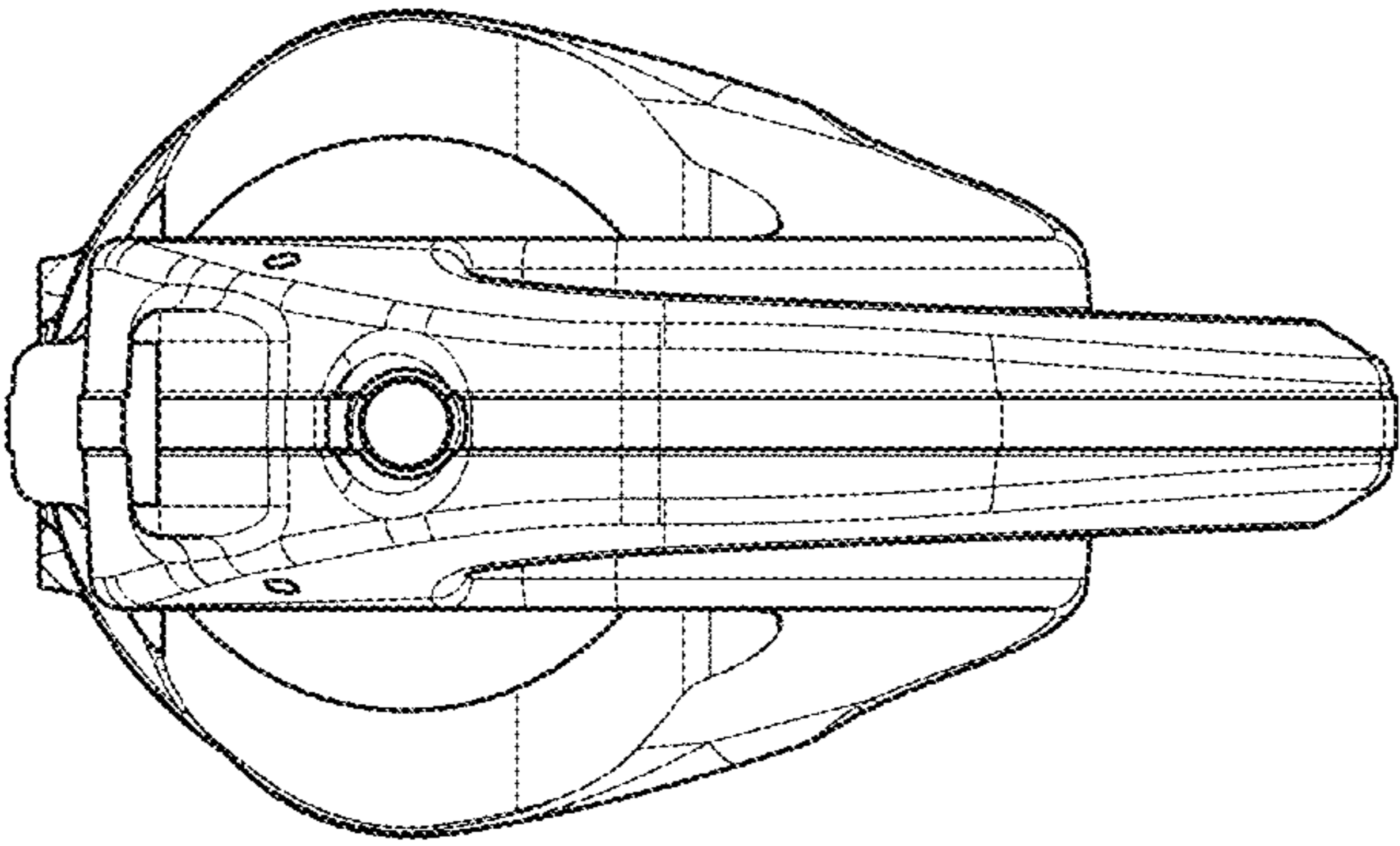


FIG. 7