



US00D947629S

(12) **United States Design Patent** (10) **Patent No.:** **US D947,629 S**  
**Blay** (45) **Date of Patent:** **\*\* Apr. 5, 2022**

(54) **ELECTRONIC TORQUE WRENCH**

FOREIGN PATENT DOCUMENTS

(71) Applicant: **M3 HEALTH INDÚSTRIA E COMÉRCIO DE PRODUTOS MÉDICOS, ODONTOLÓGICOS E CORRELATOS S.A.**, Jundiaí (BR)

CN 305470069 \* 6/2019  
CN 305934490 \* 12/2019

(Continued)

(72) Inventor: **Alberto Blay**, São Paulo (BR)

OTHER PUBLICATIONS

(73) Assignee: **M3 HEALTH INDÚSTRIA E COMÉRCIO DE PRODUTOS MÉDICOS, ODONTOLÓGICOS E CORRELATOS S.A.**, Jundiaí (BR)

Synamed USA, German Universal Dental Implant Torque Wrench Ratchet 10-40 Ncm 6.35mm Hex 4.0mm, Date first available Jun. 14, 2017, [online]retrieved Dec. 29, 2020, available from internet, [https://www.amazon.com/GERMAN-Universal-Dental-Implant-Ratchet/dp/B072N49DKZ/ref=pd\\_sbs\\_10?pd\\_rd\\_w=bqXRi&pf\\_rd\\_p=ed](https://www.amazon.com/GERMAN-Universal-Dental-Implant-Ratchet/dp/B072N49DKZ/ref=pd_sbs_10?pd_rd_w=bqXRi&pf_rd_p=ed) (Year: 2017).\*

(Continued)

(\*\*) Term: **15 Years**

*Primary Examiner* — Keli L Hill

(21) Appl. No.: **29/722,618**

*Assistant Examiner* — Sara S Sahneh

(22) Filed: **Jan. 31, 2020**

(74) *Attorney, Agent, or Firm* — B. Aaron Schulman, Esq.; Stites & Harbison, PLLC

(30) **Foreign Application Priority Data**

(57) **CLAIM**

Aug. 3, 2019 (BR) ..... 30 2019 003535 9

The ornamental design for an electronic torque wrench, as shown and described.

(51) **LOC (13) Cl.** ..... **24-02**

**DESCRIPTION**

(52) **U.S. Cl.**

USPC ..... **D8/24; D24/152**

(58) **Field of Classification Search**

USPC ..... D8/14-40, 51-56; 81/125.1, 177.1, 119, 81/124.7, 124.3, 186, 431, 176.15, 461.1,

(Continued)

FIG. 1 is a perspective view showing the new design for the electronic torque wrench;  
FIG. 2 is a front view of the electronic torque wrench of FIG. 1;  
FIG. 3 is a back side view of the electronic torque wrench of FIG. 1;  
FIG. 4 is a left side view of the electronic torque wrench of FIG. 1;  
FIG. 5 is a right side view of the electronic torque wrench of FIG. 1;  
FIG. 6 is a top view of the electronic torque wrench; and,  
FIG. 7 is a bottom view of the electronic torque wrench of FIG. 1.

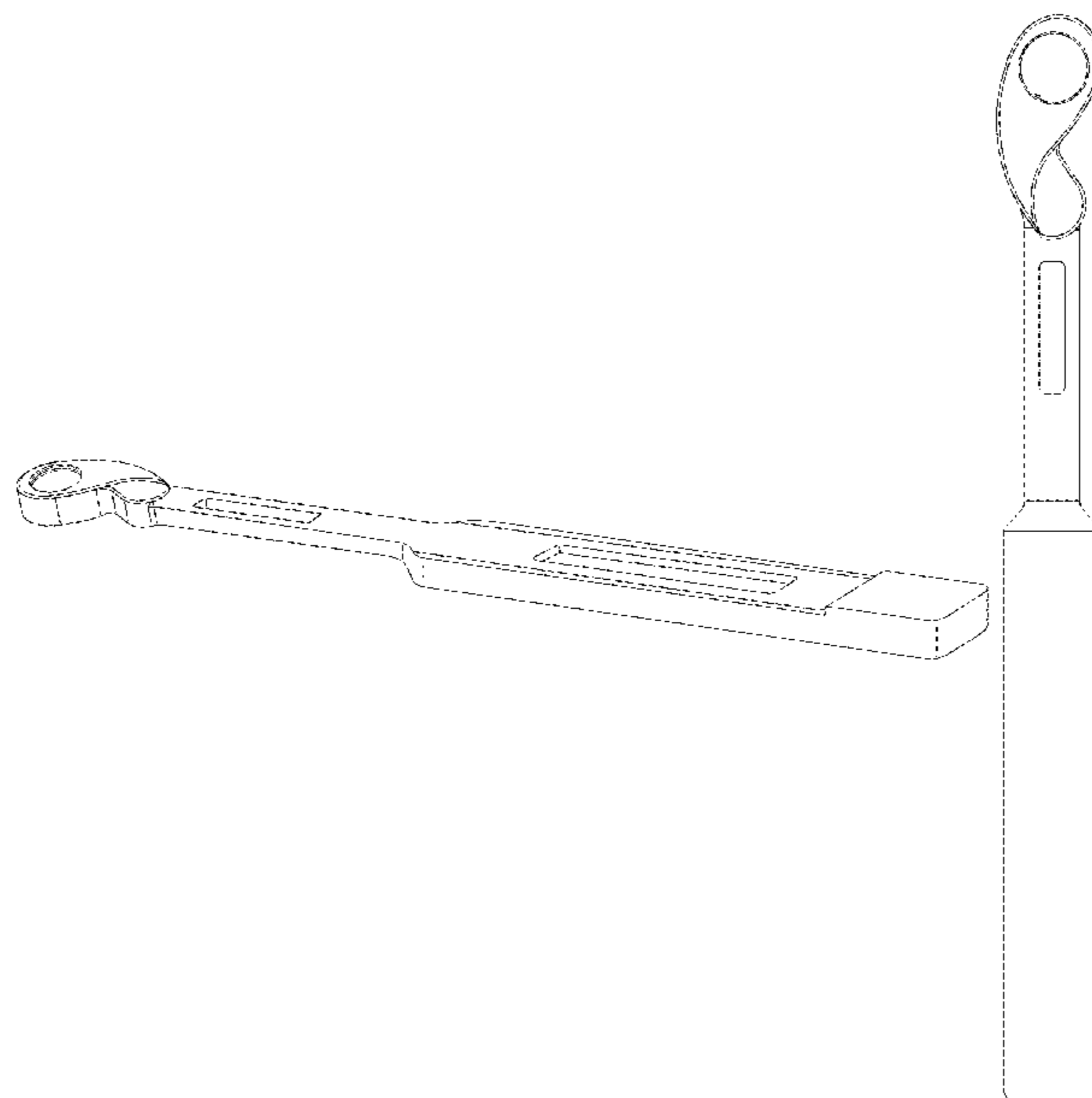
(56) **References Cited**

U.S. PATENT DOCUMENTS

5,734,113 A \* 3/1998 Vogt ..... A61B 17/8875  
73/1.12  
6,162,053 A \* 12/2000 Hollander ..... A61C 8/0089  
433/141

(Continued)

**1 Claim, 7 Drawing Sheets**



(58) **Field of Classification Search**

USPC ..... 81/99, 98, 100, 147, 185.1; 31/193, 252, 31/254; 433/141, 174; D24/132, 133, D24/134, 144, 145, 146, 147, 148, 149, D24/152, 153, 154, 155  
 CPC ..... A61B 17/8875; A61B 17/8883; A61B 2090/066; A61C 8/0089; A61C 8/0074; A61C 3/00; F21V 23/04; F21V 23/023; B25B 13/462; B25B 13/14; B25B 13/06; B25B 13/04; B25B 23/1427; B25B 23/00; B25B 13/46; B25B 13/00; B25B 7/02; B25B 13/48; B25B 13/16; B25B 13/505; B25B 13/5058; B25B 23/0007; B25B 13/28; B25B 23/0035; B25B 13/02; B25B 13/08; B25B 13/50; B25B 7/10; B25B 7/14; B25B 5/147; B25B 5/085; B25B 27/00; B67B 7/00; B67B 7/18

See application file for complete search history.

(56) **References Cited**

U.S. PATENT DOCUMENTS

7,100,476 B1 \* 9/2006 Feit ..... A61B 17/8875 433/114  
 D632,534 S \* 2/2011 Cote ..... D8/25  
 2004/0214137 A1 \* 10/2004 Walton ..... B25B 23/1415 433/141  
 2007/0281274 A1 \* 12/2007 Schraffran ..... A61C 8/0089 433/141  
 2008/0070190 A1 \* 3/2008 Baumgartner ..... A61B 17/8883 433/141  
 2010/0233653 A1 \* 9/2010 Yeh ..... B25B 13/462 433/141

2010/0304330 A1 \* 12/2010 Rasmussen ..... B25B 13/462 433/147  
 2013/0203016 A1 \* 8/2013 Takahashi ..... A61C 8/0089 433/173  
 2014/0186795 A1 \* 7/2014 Huang ..... A61C 8/0089 433/141  
 2019/0160635 A1 \* 5/2019 Hsieh ..... B25B 13/462  
 2020/0323612 A1 \* 10/2020 Kim ..... B25B 17/02

FOREIGN PATENT DOCUMENTS

EM 005831617-0001 \* 11/2018  
 EM 005831617-0002 \* 11/2018  
 KR 300909896.0000 \* 10/2016  
 KR 3020180000958 \* 6/2018

OTHER PUBLICATIONS

IQ Implants Store, IQ Implants Dental Universal Torque Wrench Hex, Date first available Jun. 29, 2014, [online]retrieved Dec. 29, 2020, available from internet, [https://www.amazon.com/IQ-Implants-Dental-Universal-Torque/dp/B00LDX8QBI/ref=pd\\_sbs\\_10?pd\\_rd\\_w=TTOWD&pf\\_rd\\_p=ed1e2146-ecfe-435e-b3b5-d79fa0](https://www.amazon.com/IQ-Implants-Dental-Universal-Torque/dp/B00LDX8QBI/ref=pd_sbs_10?pd_rd_w=TTOWD&pf_rd_p=ed1e2146-ecfe-435e-b3b5-d79fa0) (Year: 2014).\*  
 Cynamed Store, Premium German Universal Torque Wrench Ratchet 10-50 Ncm, Date first available Sep. 5, 2019, [online] retrieved Dec. 29, 2020, available from internet, [https://www.amazon.com/Premium-Universal-Ratchet-Abutment-Instruments/dp/B07XFHWDG7/ref=pd\\_sbs\\_5?pd\\_rd\\_w=NMoDD&pf\\_rd\\_p=ed1e2146-ecfe-](https://www.amazon.com/Premium-Universal-Ratchet-Abutment-Instruments/dp/B07XFHWDG7/ref=pd_sbs_5?pd_rd_w=NMoDD&pf_rd_p=ed1e2146-ecfe-) (Year: 2019).\*  
 Berkeley Implant, Dental Implant Ratchet & Torque Wrench 10-50 Ncm, Date first available Oct. 31, 2018, [online]retrieved Jan. 7, 2021, available from internet, [https://www.amazon.com/dp/B07K1HTNR2/ref=sspa\\_dk\\_detail\\_1?psc=1&pd\\_rd\\_i=B07K1HTNR2&pd\\_rd\\_w=zf6](https://www.amazon.com/dp/B07K1HTNR2/ref=sspa_dk_detail_1?psc=1&pd_rd_i=B07K1HTNR2&pd_rd_w=zf6) (Year: 2018).\*

\* cited by examiner

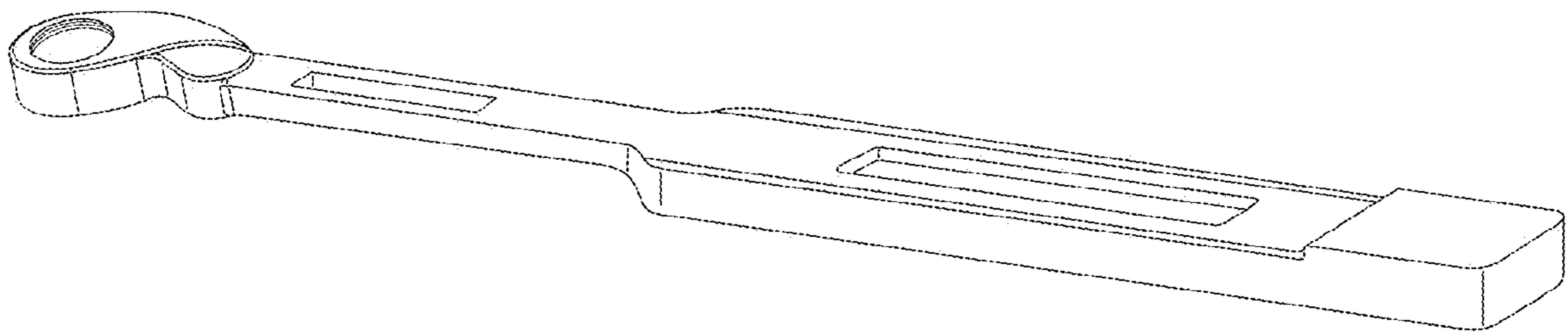


FIG. 1

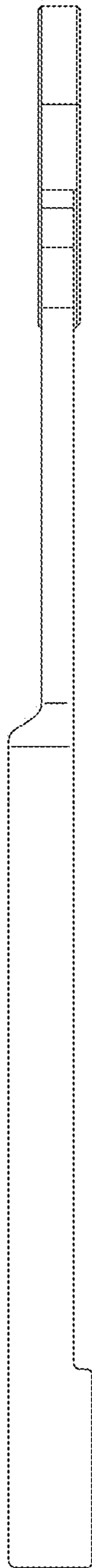


FIG. 2

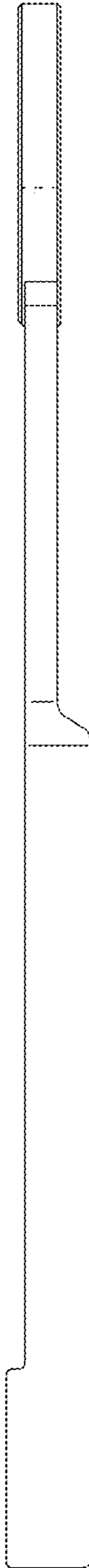


FIG. 3

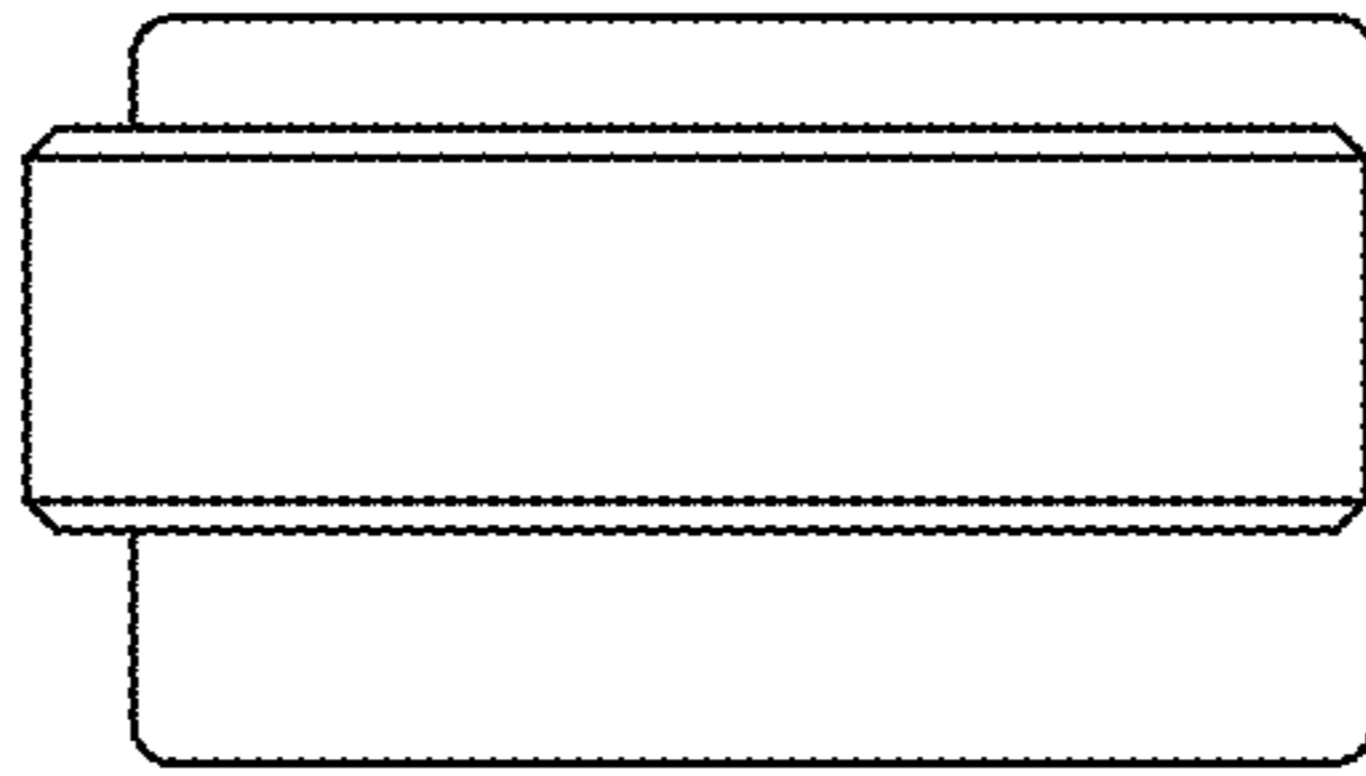


FIG. 4



FIG. 5

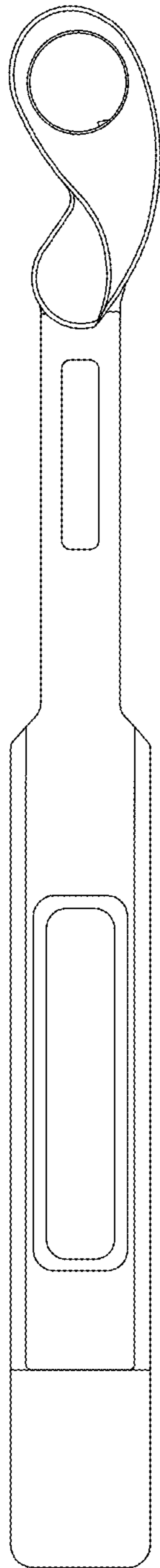


FIG. 6



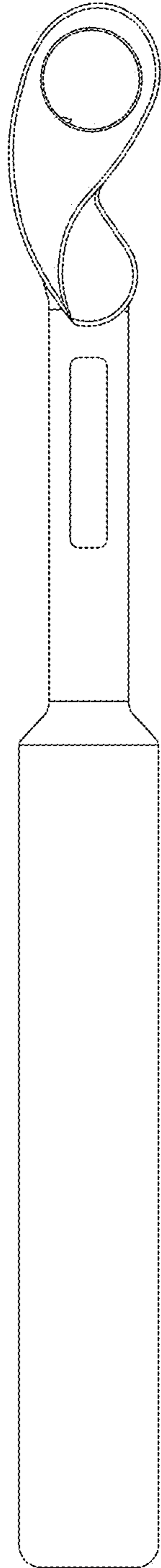


FIG. 7