

US00D947627S

(12) **United States Design Patent** (10) **Patent No.:** **US D947,627 S**
Wang (45) **Date of Patent:** **** Apr. 5, 2022**

(54) **SHOVEL**
(71) Applicant: **Shao Wang**, Nanyang (CN)
(72) Inventor: **Shao Wang**, Nanyang (CN)
(**) Term: **15 Years**
(21) Appl. No.: **29/784,308**
(22) Filed: **May 19, 2021**
(51) **LOC (13) Cl.** **08-01**
(52) **U.S. Cl.**
USPC **D8/10**
(58) **Field of Classification Search**
USPC D8/7, 9, 10, 11; D21/532
CPC A01B 1/02; A01B 1/04; A01B 1/20; A01B
1/22; A01B 1/022; A01B 1/026; A01B
1/227; A01B 1/222; A01B 1/225; A62B
3/005; B25F 1/006
See application file for complete search history.

7,832,125 B1 * 11/2010 Palmby A01G 9/08
294/119.1
D792,748 S * 7/2017 Yeoh D8/10
D793,187 S 8/2017 Henry
D799,288 S * 10/2017 Baker D8/10
D803,643 S * 11/2017 Smith D8/9
D810,527 S * 2/2018 Baker D8/10
D863,902 S 10/2019 Hua et al.
D875,484 S * 2/2020 Workman D7/650
D895,383 S * 9/2020 Thorn D8/107
D896,044 S * 9/2020 Li D8/10

(Continued)

FOREIGN PATENT DOCUMENTS

CN 302972021 * 10/2014
CN 303176831 * 4/2015

(Continued)

Primary Examiner — Sheryl Lane
Assistant Examiner — Ieisha N Price

(57) **CLAIM**

The ornamental design for a shovel, as shown and described.

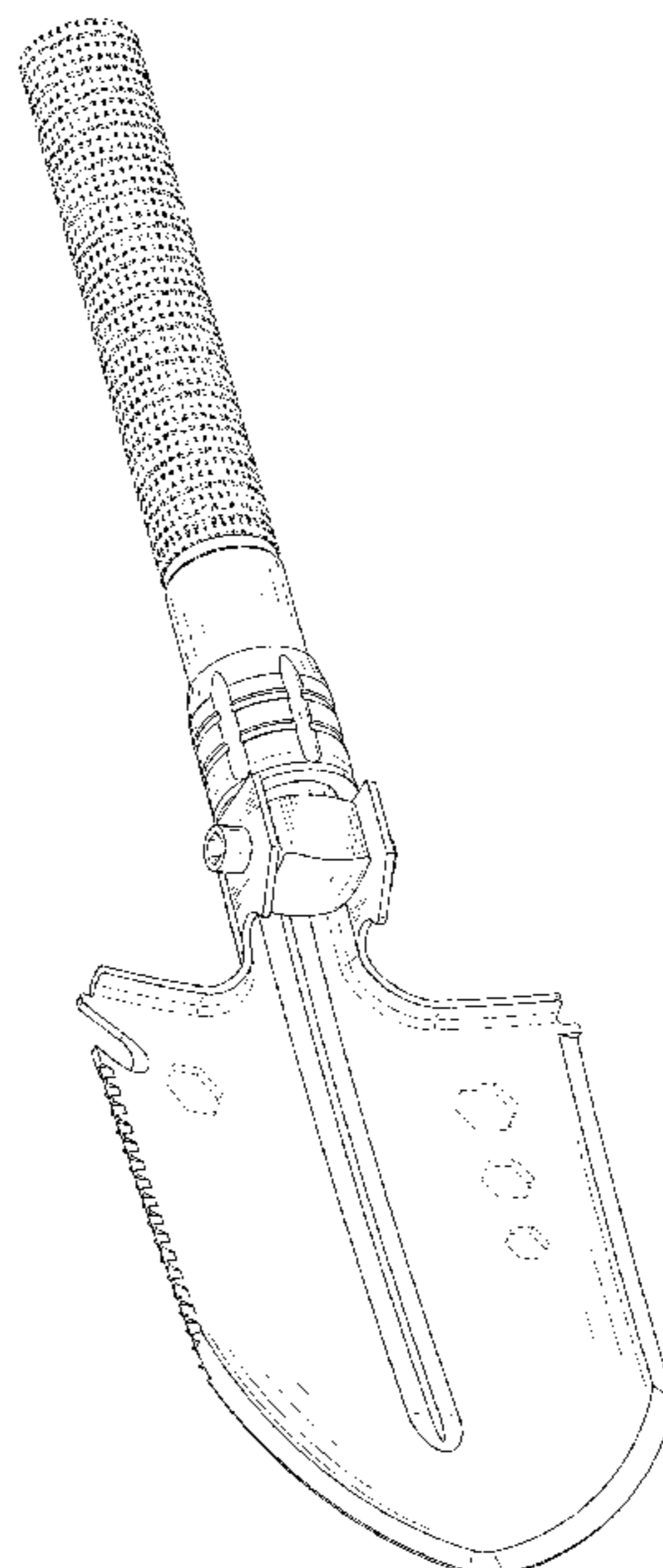
DESCRIPTION

FIG. 1 is a perspective view of a shovel showing my new design;
FIG. 2 is another perspective view thereof;
FIG. 3 is a front elevational view thereof;
FIG. 4 is a rear elevational view thereof;
FIG. 5 is a left side elevational view thereof;
FIG. 6 is a right side elevational view thereof;
FIG. 7 is a top plan view thereof;
FIG. 8 is a bottom plan view thereof;
FIG. 9 is an enlarged view of portion 9 shown in FIG. 7; and,
FIG. 10 is an enlarged view of portion 10 shown in FIG. 8.
The broken lines in the drawings depict portions of the shovel that form no part of the claimed design.

1 Claim, 10 Drawing Sheets

(56) **References Cited**
U.S. PATENT DOCUMENTS

1,032,754 A * 7/1912 Heidkamp A01B 1/022
294/51
1,051,042 A * 1/1913 Wiener A01B 1/022
30/146
1,055,044 A * 3/1913 Hollander A01B 1/022
294/51
3,401,971 A * 9/1968 Cronquist A01B 1/022
294/53.5
D267,772 S * 2/1983 Heimdal D8/9
5,507,051 A * 4/1996 Mazon A01B 1/022
7/104
D426,436 S * 6/2000 Ng D8/10
D551,524 S * 9/2007 Norton D8/10
D570,653 S * 6/2008 Baker D8/10
D601,866 S * 10/2009 Carroll D8/10
D604,128 S * 11/2009 Carroll D8/10



(56)

References Cited

U.S. PATENT DOCUMENTS

D936,436 S * 11/2021 Lind D8/10
2014/0173832 A1* 6/2014 Kim B26B 11/006
30/353
2016/0286710 A1* 10/2016 Bellah G01B 3/28
2019/0045697 A1* 2/2019 Boies B25G 3/26
2020/0390017 A1* 12/2020 Liang A01B 1/22
2021/0008705 A1* 1/2021 Sayer A01B 1/227
2021/0227740 A1* 7/2021 Wang B25G 1/08
2021/0235606 A1* 8/2021 Hyduke A01B 1/022

FOREIGN PATENT DOCUMENTS

CN 303836357 * 9/2016
CN 304373770 * 11/2017
CN 304459493 * 1/2018
CN 304662161 * 6/2018
CN 304721311 * 7/2018
CN 304721312 * 7/2018
CN 304745747 * 7/2018
CN 304846151 * 10/2018
CN 305001932 * 1/2019
CN 305910295 * 7/2020
CN 306044908 * 9/2020
CN 306187230 * 11/2020
CN 306576160 * 6/2021
CN 306576161 * 6/2021
GB 6093195 * 6/2020

* cited by examiner

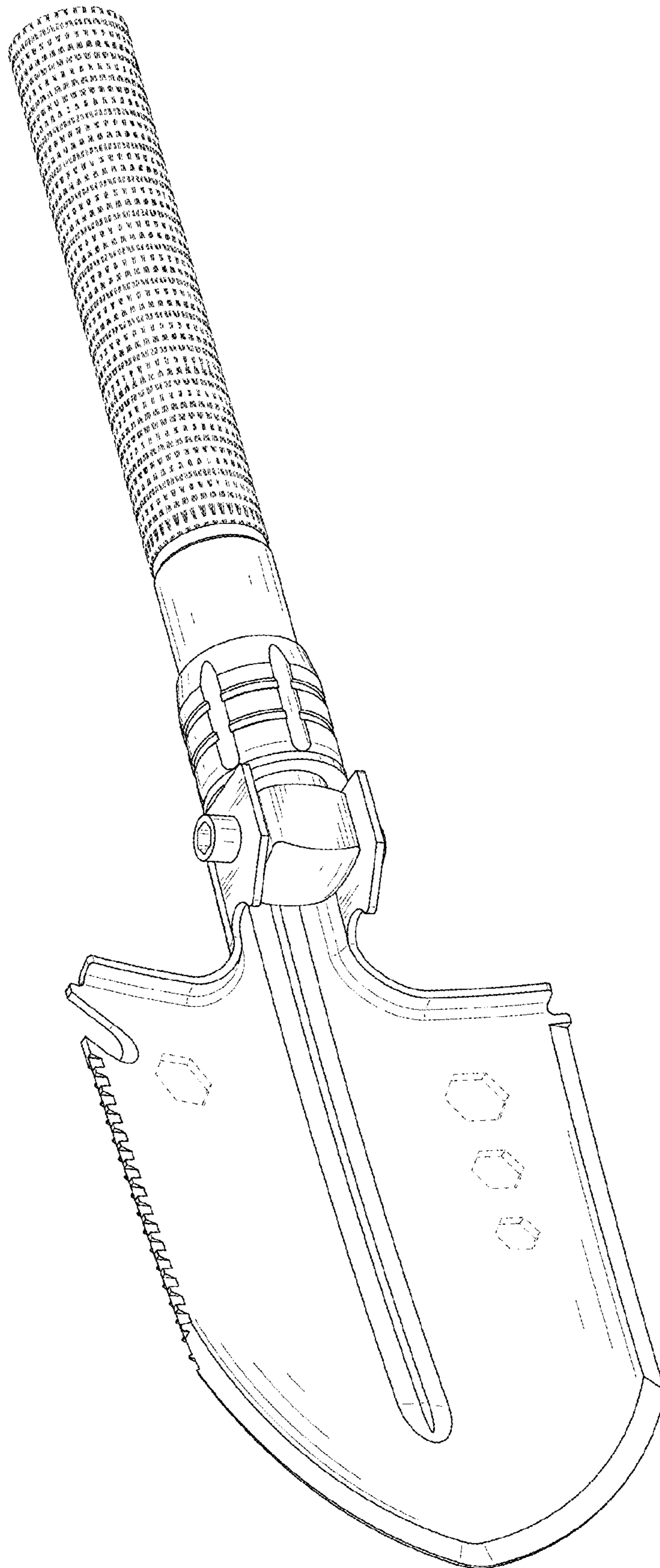


FIG. 1

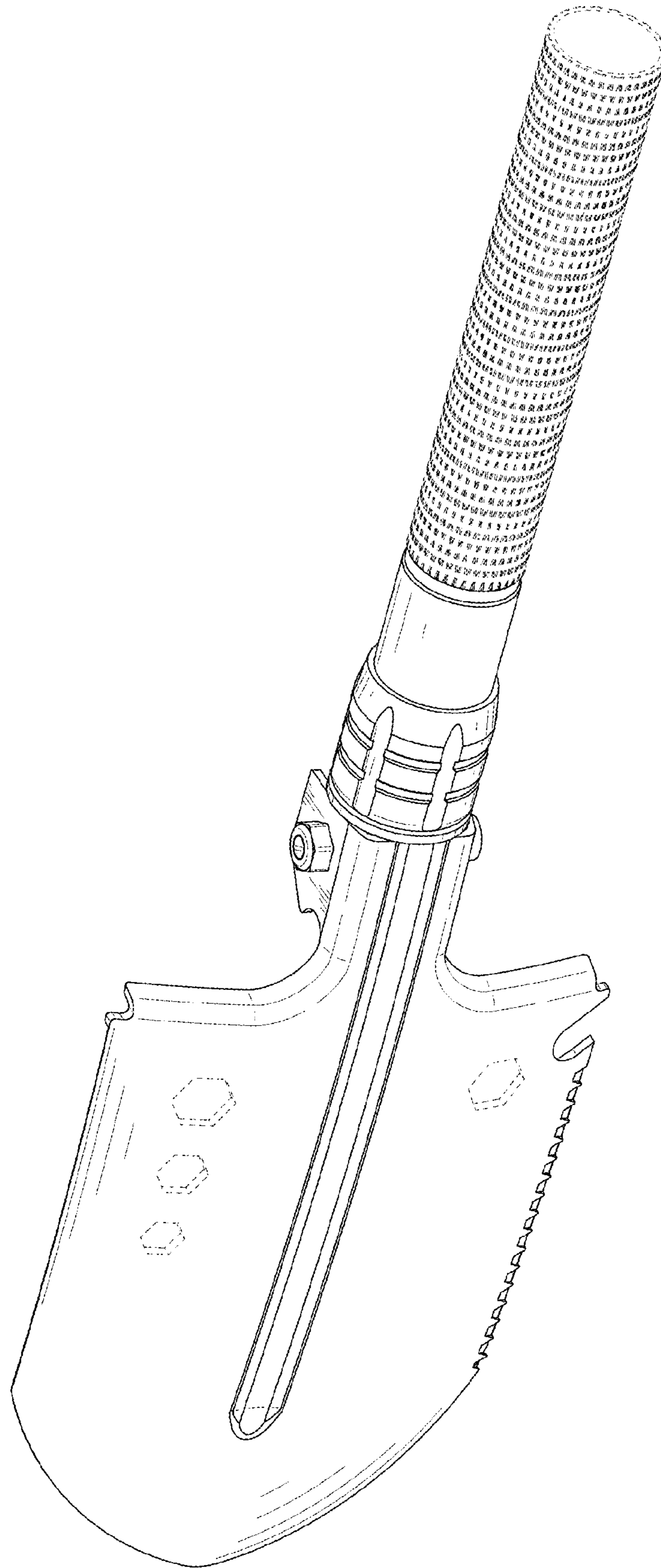


FIG. 2

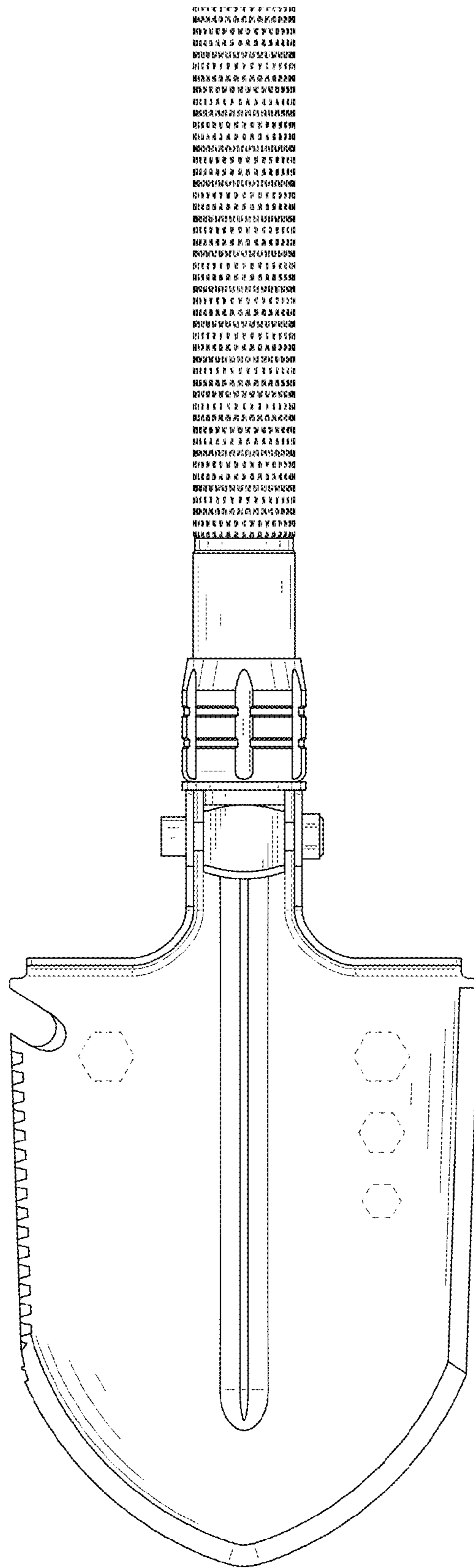


FIG. 3

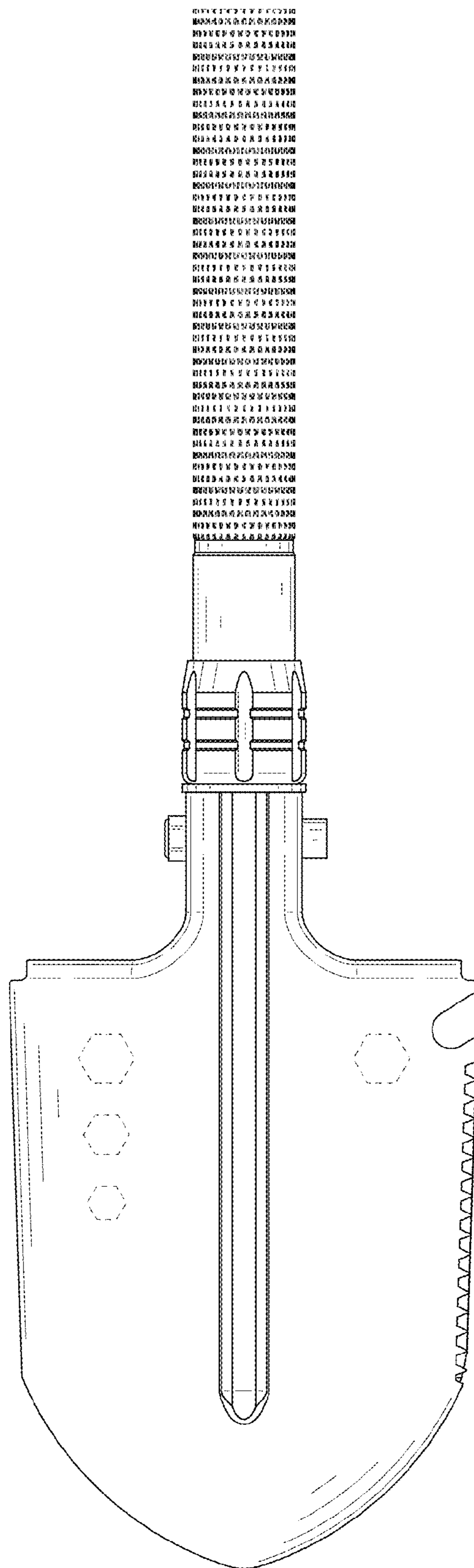


FIG. 4



FIG. 5

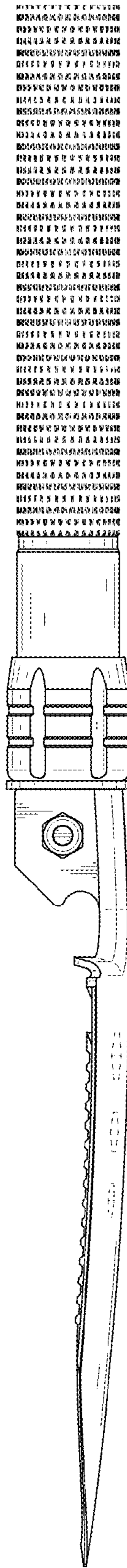


FIG. 6

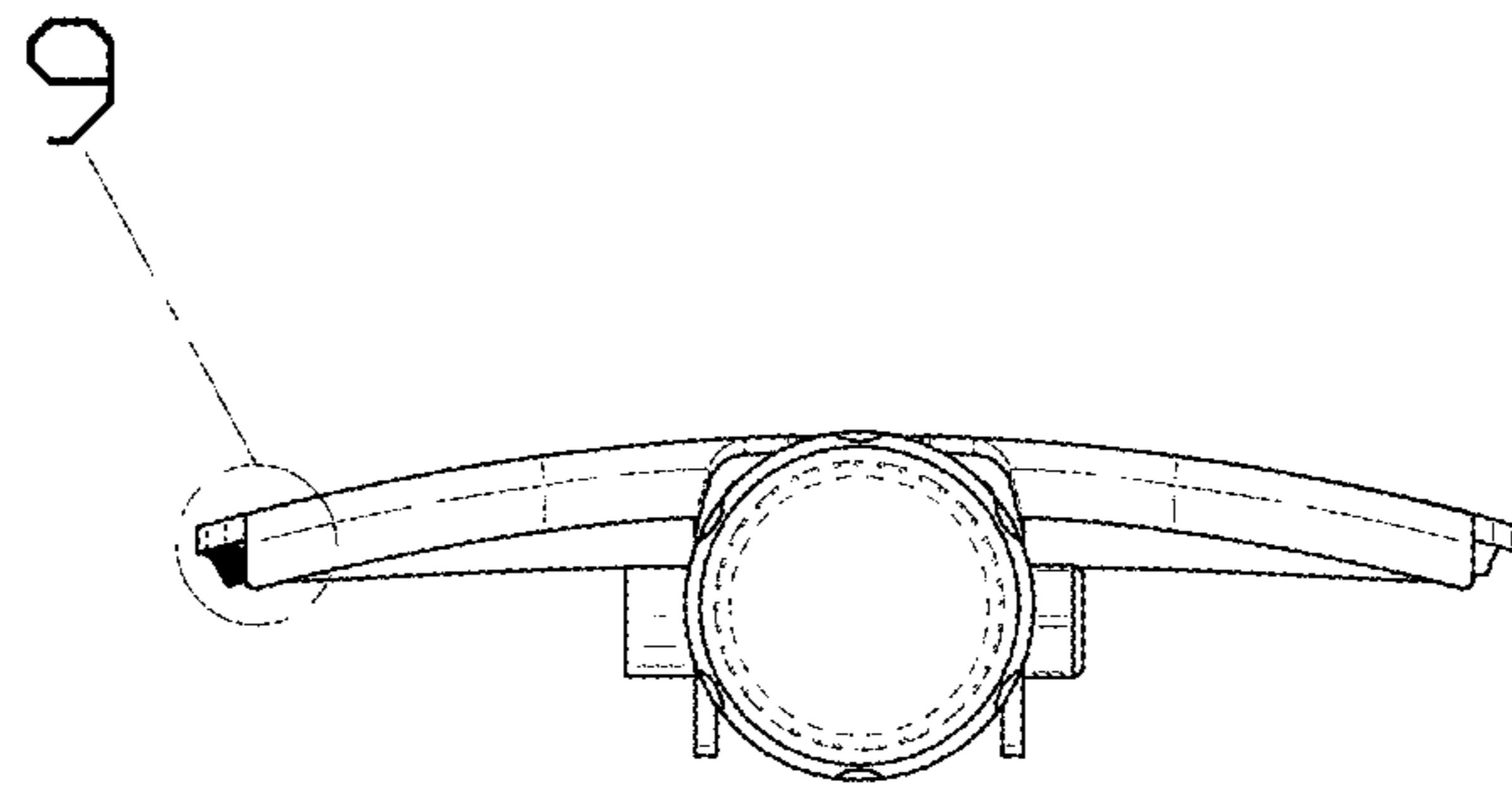


FIG. 7

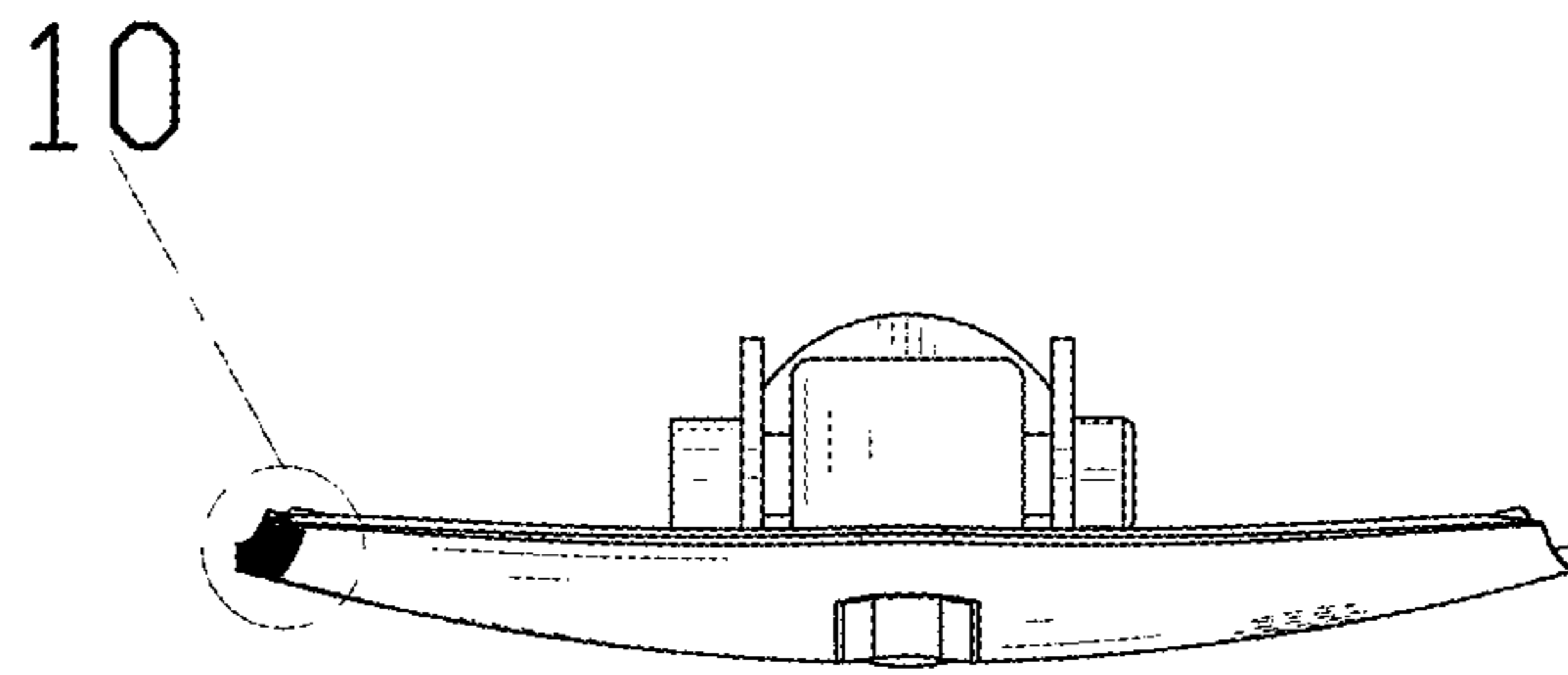


FIG. 8

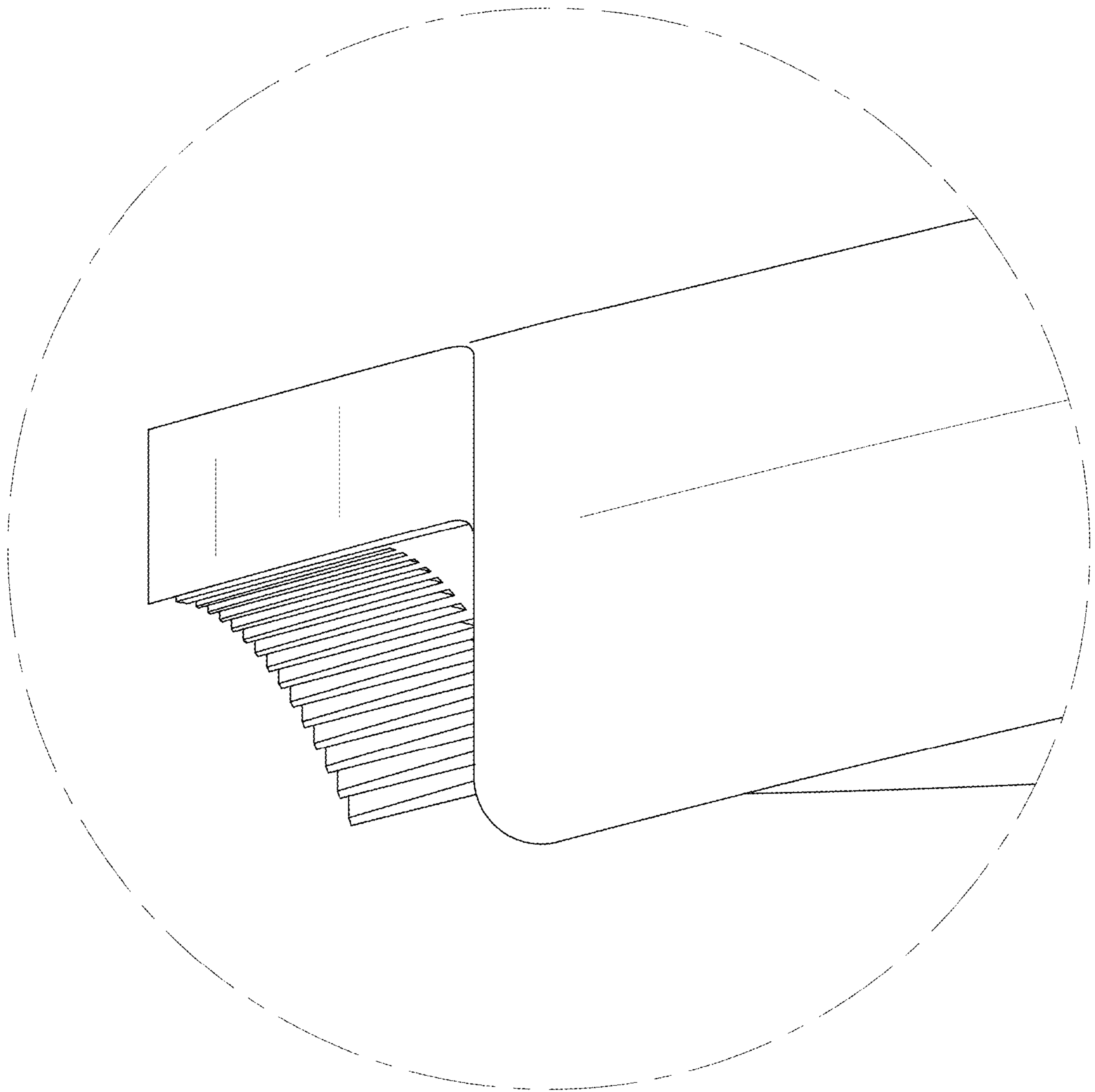


FIG. 9

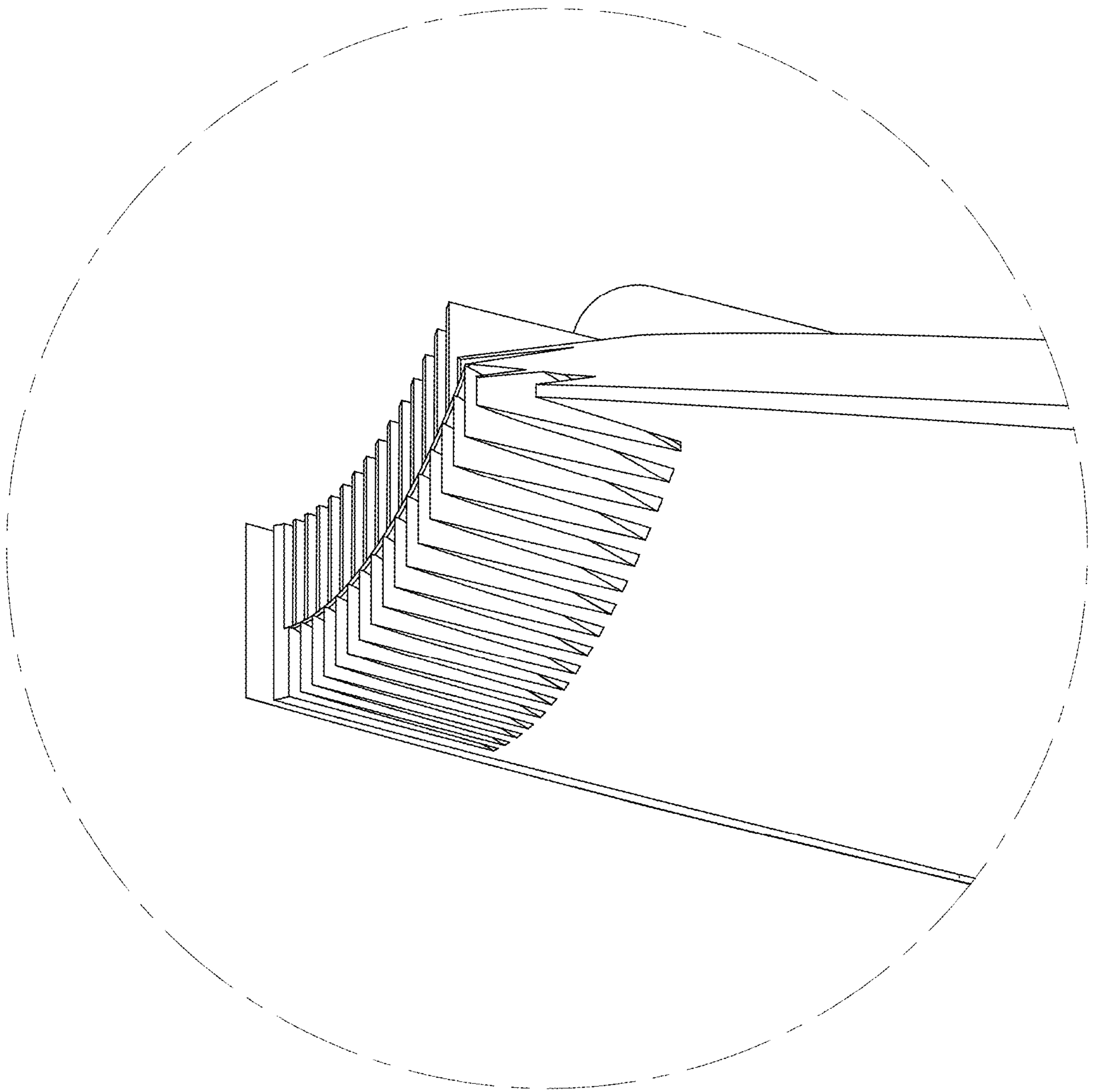


FIG. 10