



US00D947623S

(12) **United States Design Patent**  
**Zhang**

(10) **Patent No.:** **US D947,623 S**

(45) **Date of Patent:** **\*\* Apr. 5, 2022**

(54) **COASTER**

2016/0081506 A1\* 3/2016 Bizzarri ..... A47G 23/03  
248/346.11

(71) Applicant: **Jinying Zhang**, Shaoyang (CN)

\* cited by examiner

(72) Inventor: **Jinying Zhang**, Shaoyang (CN)

*Primary Examiner* — Terry A Wallace

(\*\*) Term: **15 Years**

(21) Appl. No.: **29/781,479**

(57) **CLAIM**

(22) Filed: **Apr. 30, 2021**

The ornamental design for a coaster, as shown and described.

(51) **LOC (13) Cl.** ..... **07-06**

(52) **U.S. Cl.**  
USPC ..... **D7/624.1**

**DESCRIPTION**

(58) **Field of Classification Search**  
USPC ..... D7/619.1–625, 387–389  
CPC ..... A47G 23/02; A47G 23/032; A47G 23/03;  
A47G 23/0303; A47G 23/0309; B60N  
3/102  
See application file for complete search history.

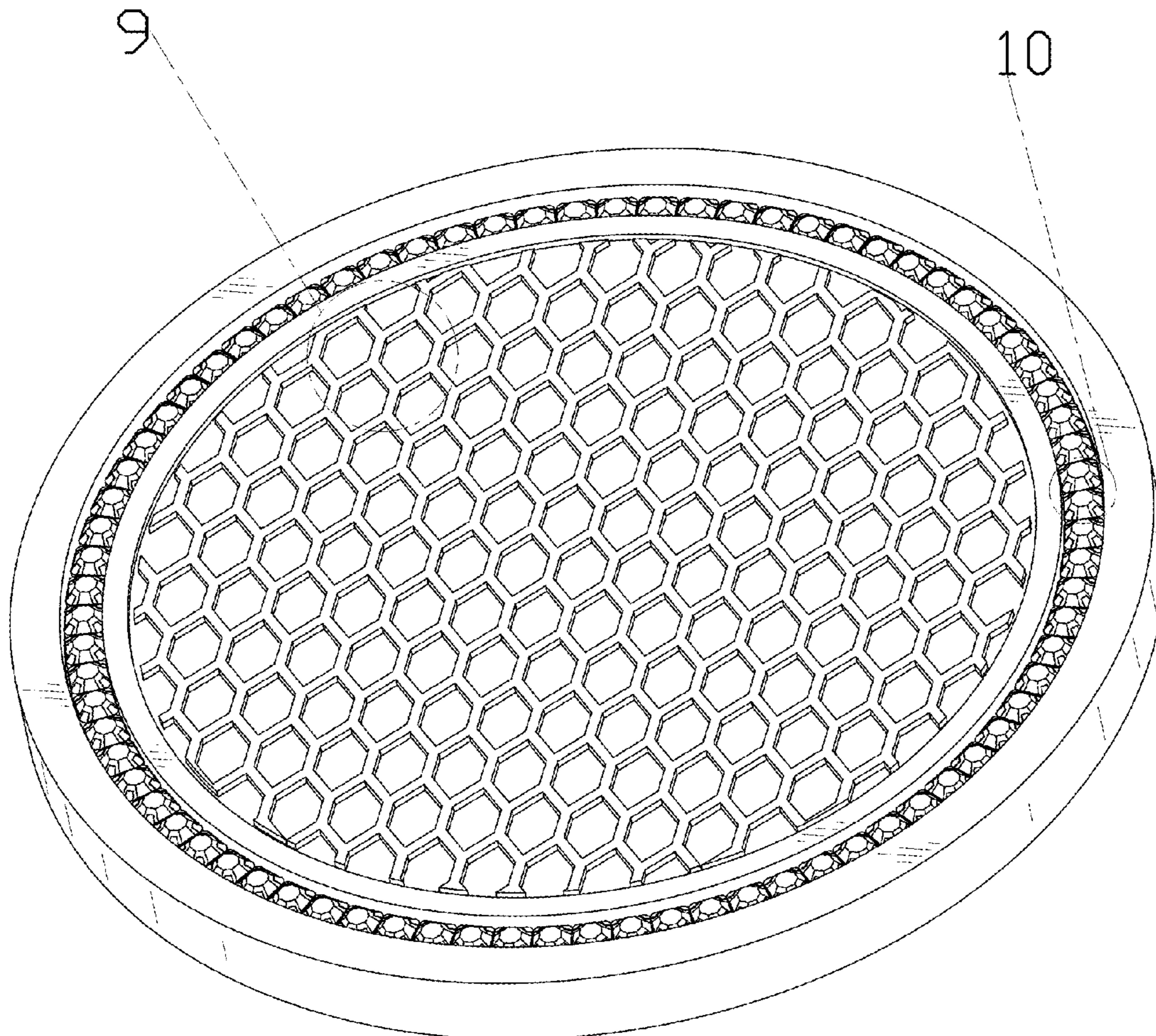
FIG. 1 is a perspective view of a coaster showing my new design;  
FIG. 2 is another perspective view thereof;  
FIG. 3 is a front elevational view thereof;  
FIG. 4 is a rear elevational view thereof;  
FIG. 5 is a left side elevational view thereof;  
FIG. 6 is a right side elevational view thereof;  
FIG. 7 is a top plan view thereof;  
FIG. 8 is a bottom plan view thereof;  
FIG. 9 is an enlarged view of portion 9 shown in FIG. 1; and,  
FIG. 10 is an enlarged view of portion 10 shown in FIG. 1.

(56) **References Cited**

**U.S. PATENT DOCUMENTS**

- D373,709 S \* 9/1996 Leu ..... D7/567
- D829,512 S 10/2018 Masanek, Jr. et al.
- D910,384 S 2/2021 Xu

**1 Claim, 10 Drawing Sheets**



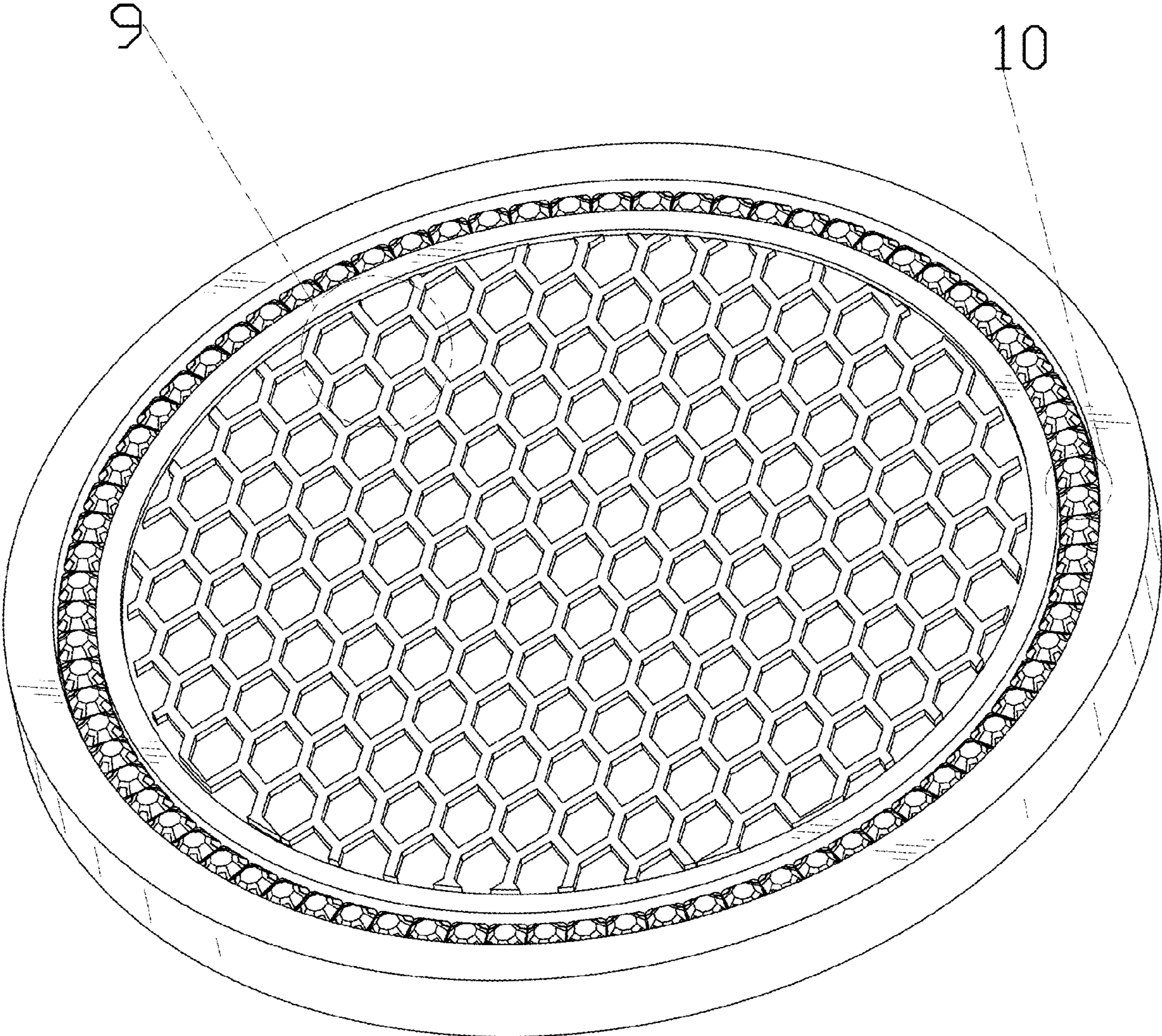


FIG. 1

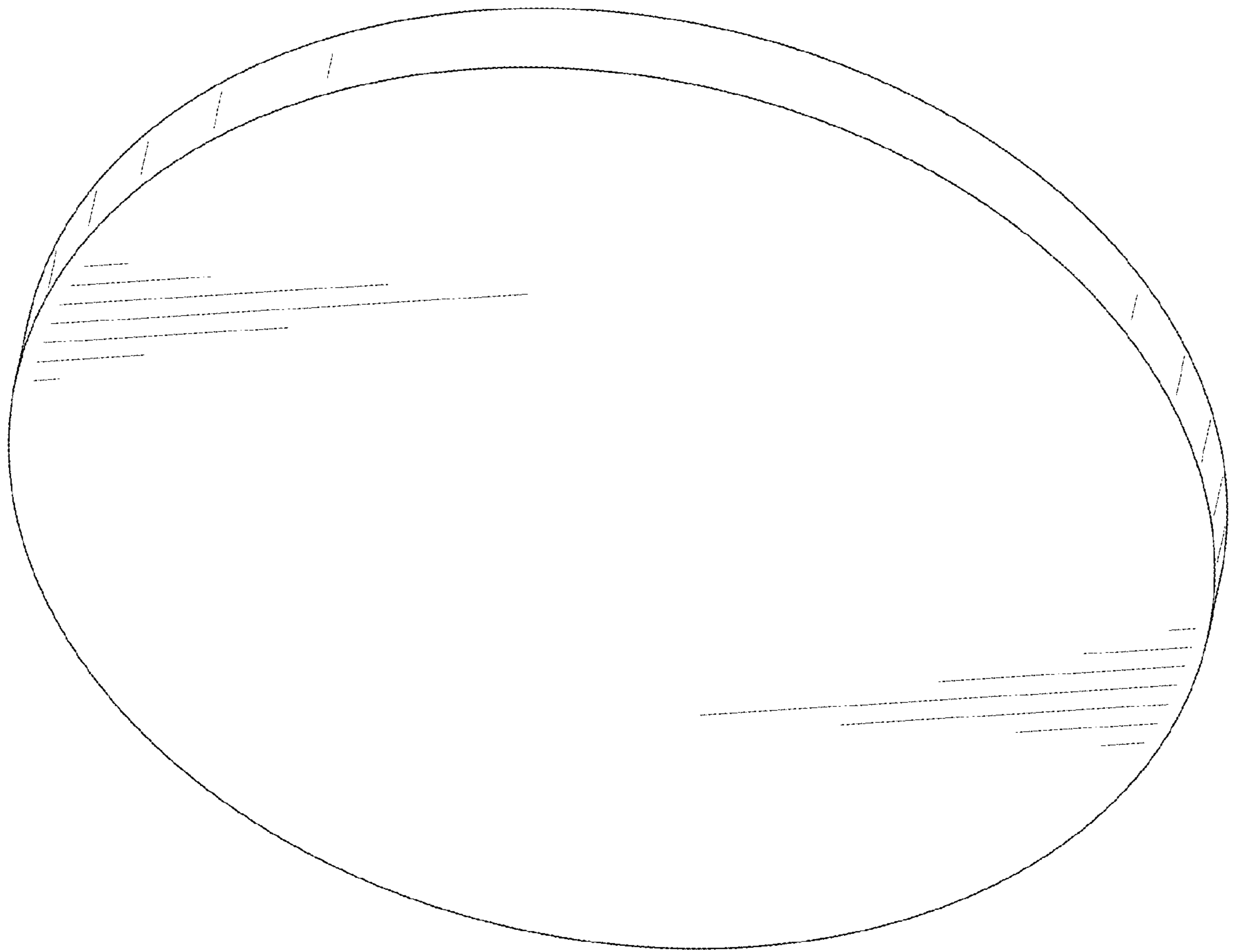


FIG. 2

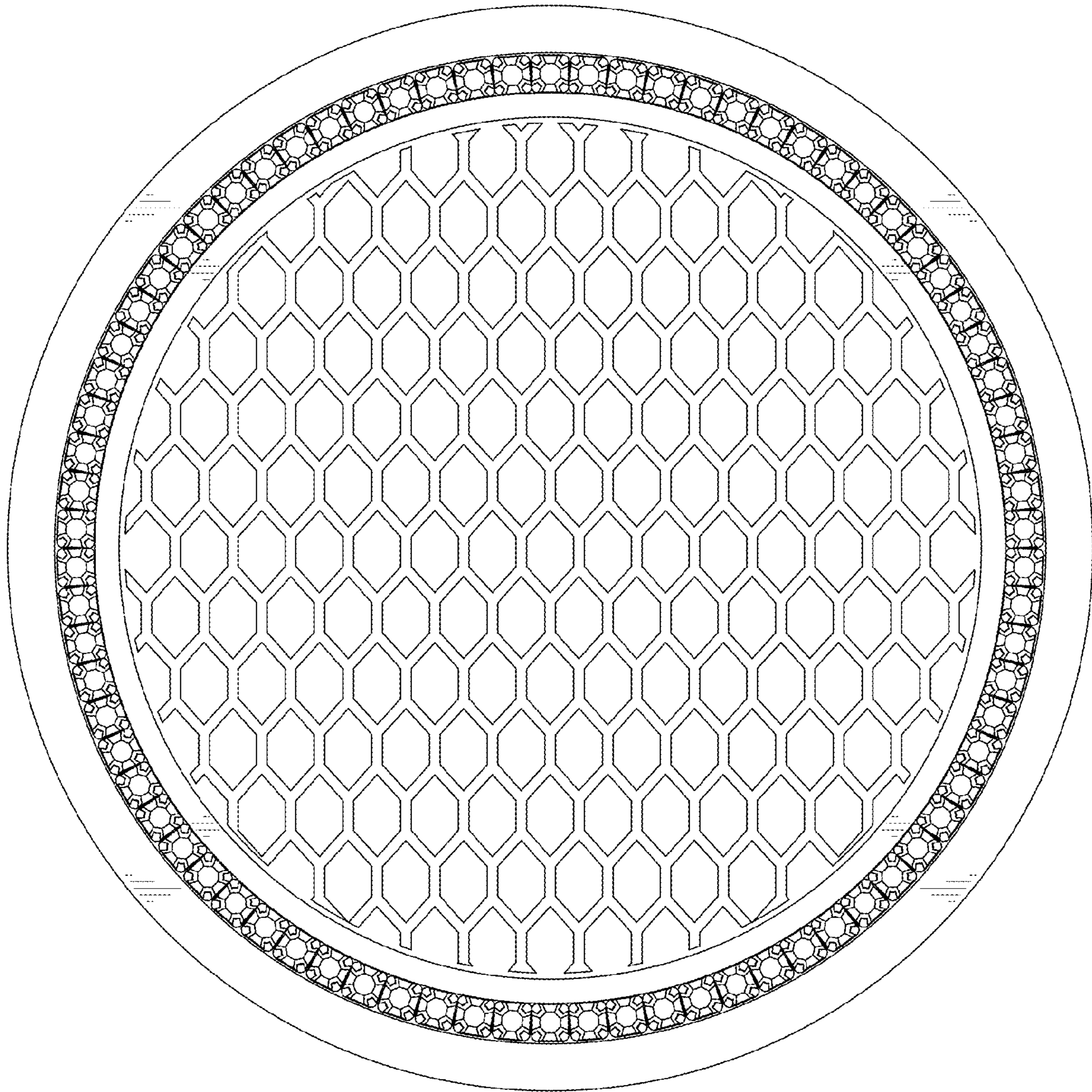


FIG. 3

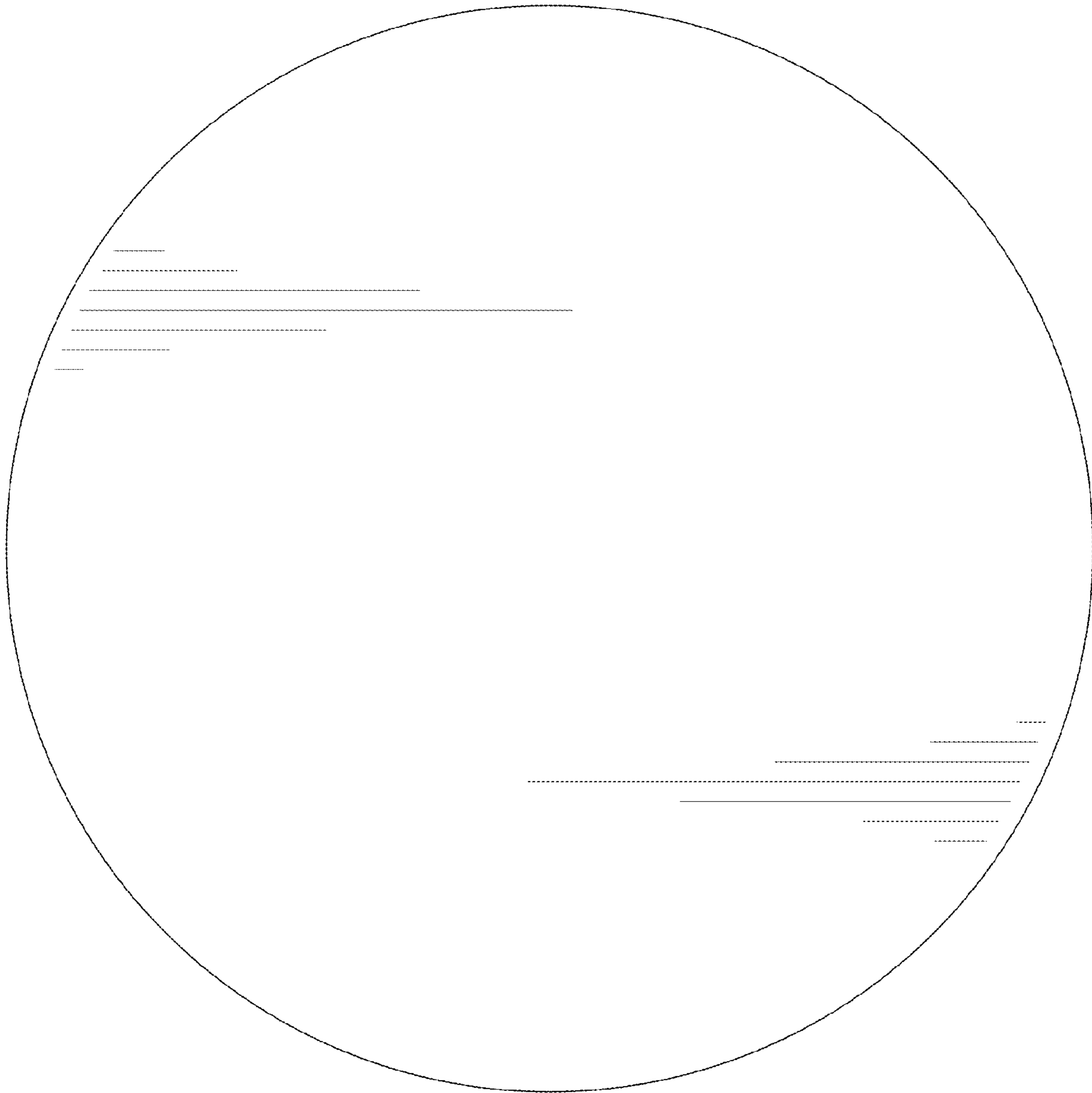


FIG. 4







FIG. 7





FIG. 8

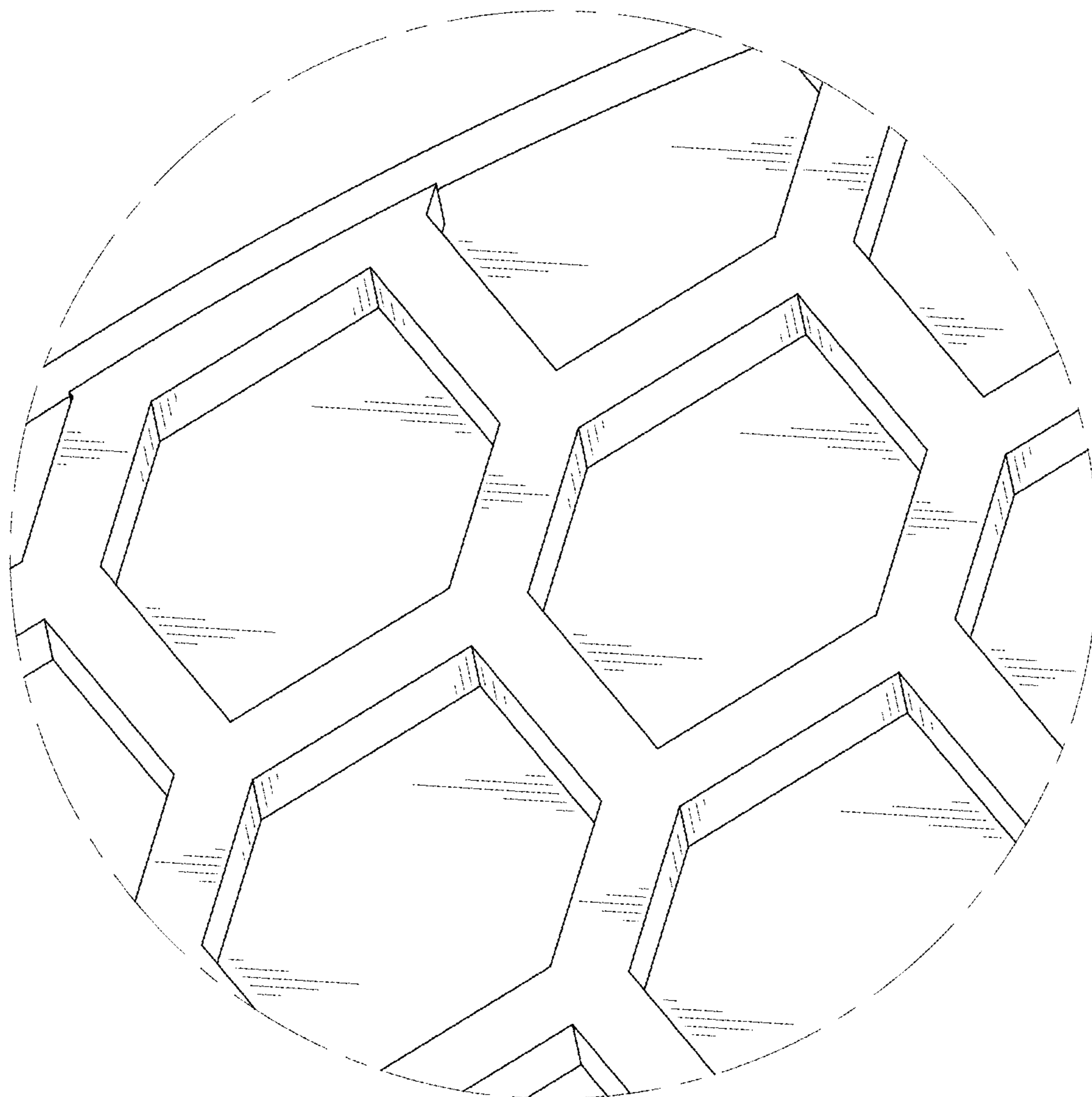


FIG. 9

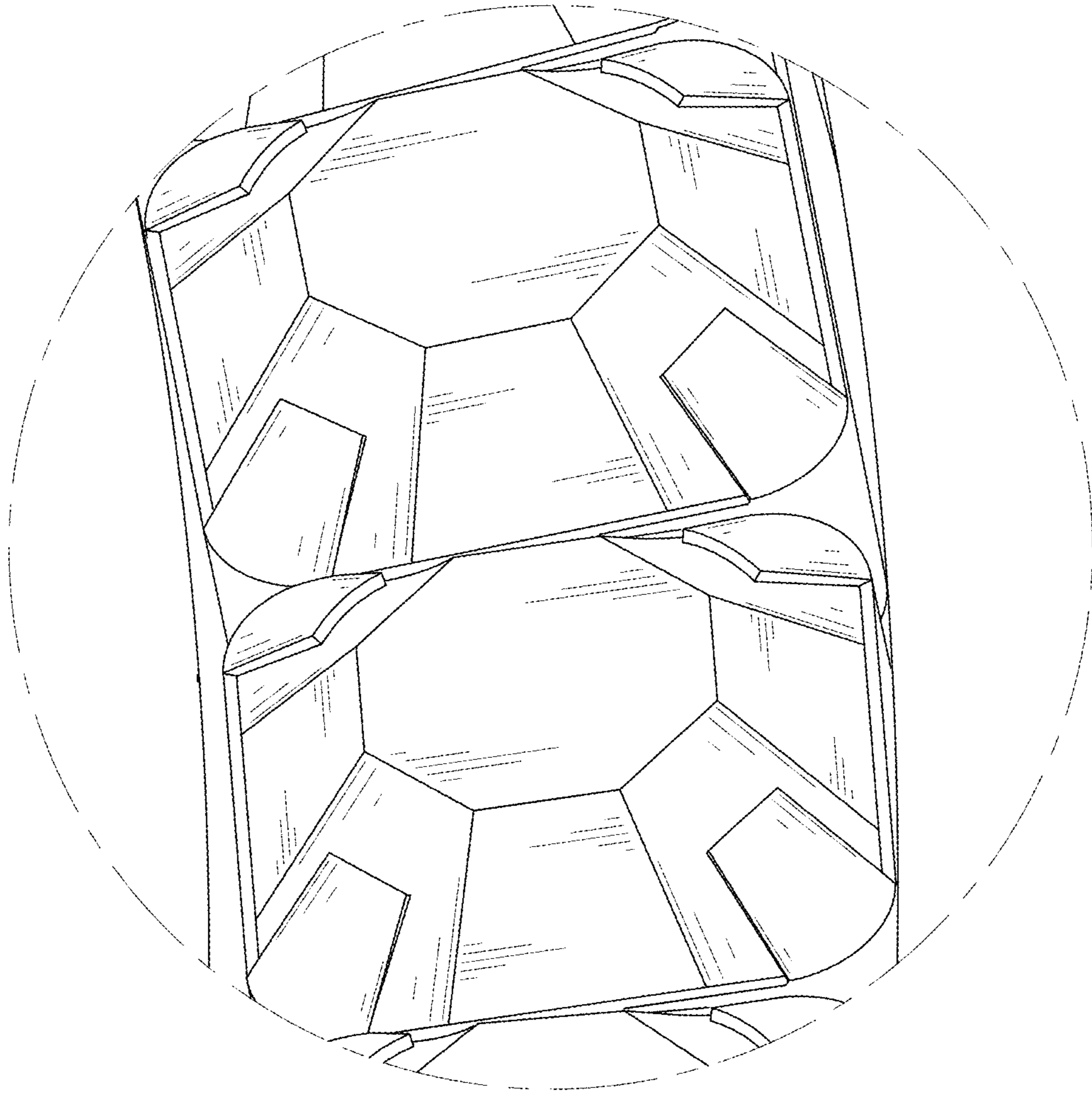


FIG. 10