



US00D947622S

(12) **United States Design Patent**
Sutton

(10) **Patent No.:** **US D947,622 S**

(45) **Date of Patent:** **** Apr. 5, 2022**

(54) **CUP HOLDER**

(71) Applicant: **Mark Edward Sutton**, Kingsport, TN
(US)

(72) Inventor: **Mark Edward Sutton**, Kingsport, TN
(US)

(**) Term: **15 Years**

(21) Appl. No.: **29/696,079**

(22) Filed: **Jun. 25, 2019**

(51) **LOC (13) Cl.** **07-06**

(52) **U.S. Cl.**
USPC **D7/622**

(58) **Field of Classification Search**
USPC D7/619.1-625, 533-536, 393
CPC A47G 23/0266; A47G 23/0233; A47G
23/0241; A47G 23/0216; A47G 23/02;
A47G 23/0208; A47G 19/2205; A47G
19/2227; B65D 25/2829; B65D 25/2817;
A45F 5/10; A47J 45/10; A47J 45/077;
F23Q 2/32
See application file for complete search history.

(56) **References Cited**

U.S. PATENT DOCUMENTS

2,122,628 A * 7/1938 Tracy A47G 23/0233
220/740
4,852,729 A * 8/1989 Conte A24F 15/18
206/86

5,497,902 A * 3/1996 Crock A47G 23/0216
220/23.4
5,706,975 A * 1/1998 Cronk A24F 15/18
220/737
6,092,647 A * 7/2000 Yeh F23Q 2/32
206/217
D514,896 S * 2/2006 Wickenhauser D7/619.1
D516,393 S * 3/2006 Wickenhauser D7/619.1

* cited by examiner

Primary Examiner — Terry A Wallace

(74) *Attorney, Agent, or Firm* — Dale Jensen, PLC; Dale Jensen

(57) **CLAIM**

I claim the ornamental design for a cup holder, as shown and described.

DESCRIPTION

FIG. 1 is a perspective view of the cup holder showing my new design.

FIG. 2 is a front view thereof.

FIG. 3 is a rear view thereof.

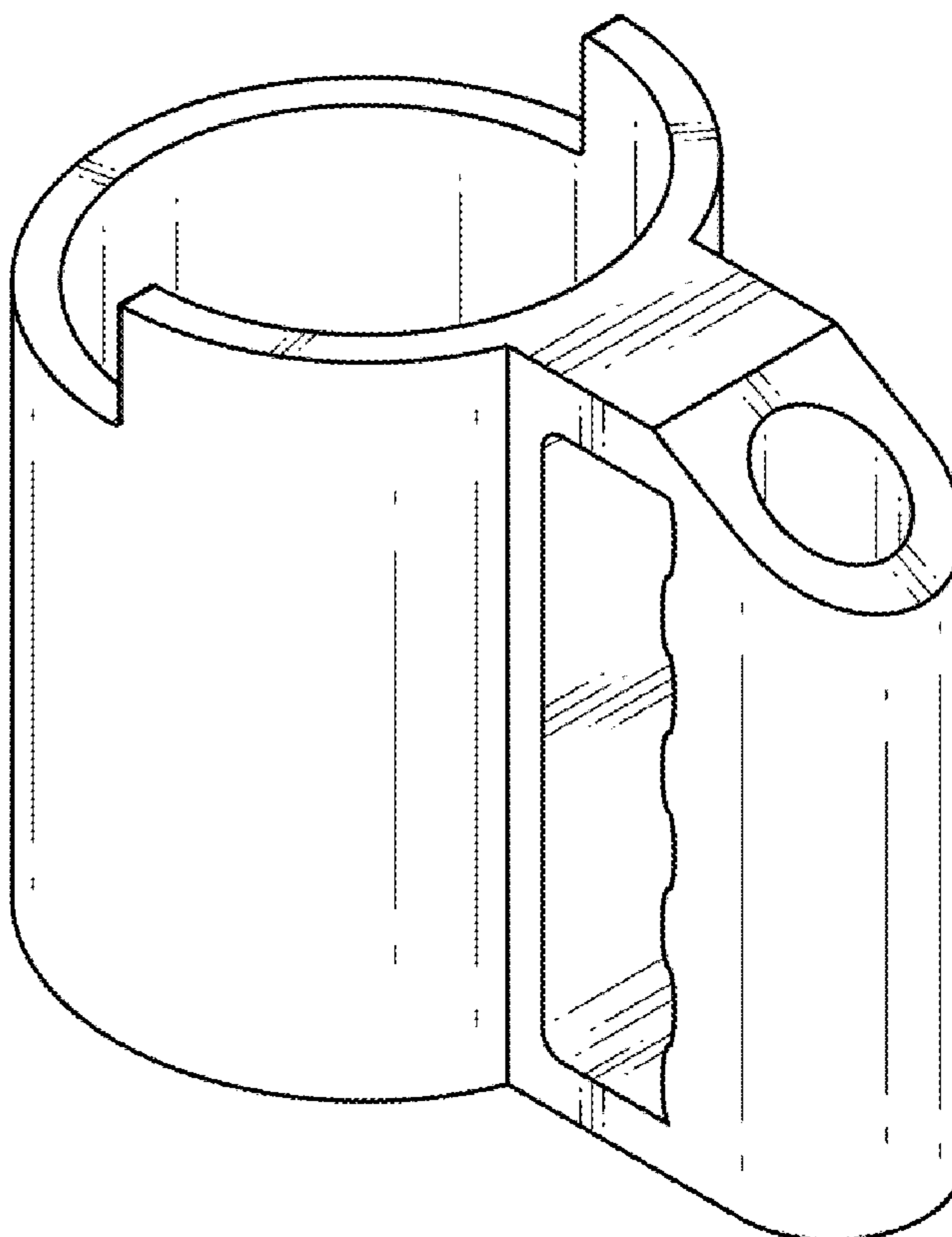
FIG. 4 is a right side view thereof.

FIG. 5 is a left side view thereof.

FIG. 6 is a top plan view thereof; and,

FIG. 7 is a bottom plan view thereof.

1 Claim, 7 Drawing Sheets



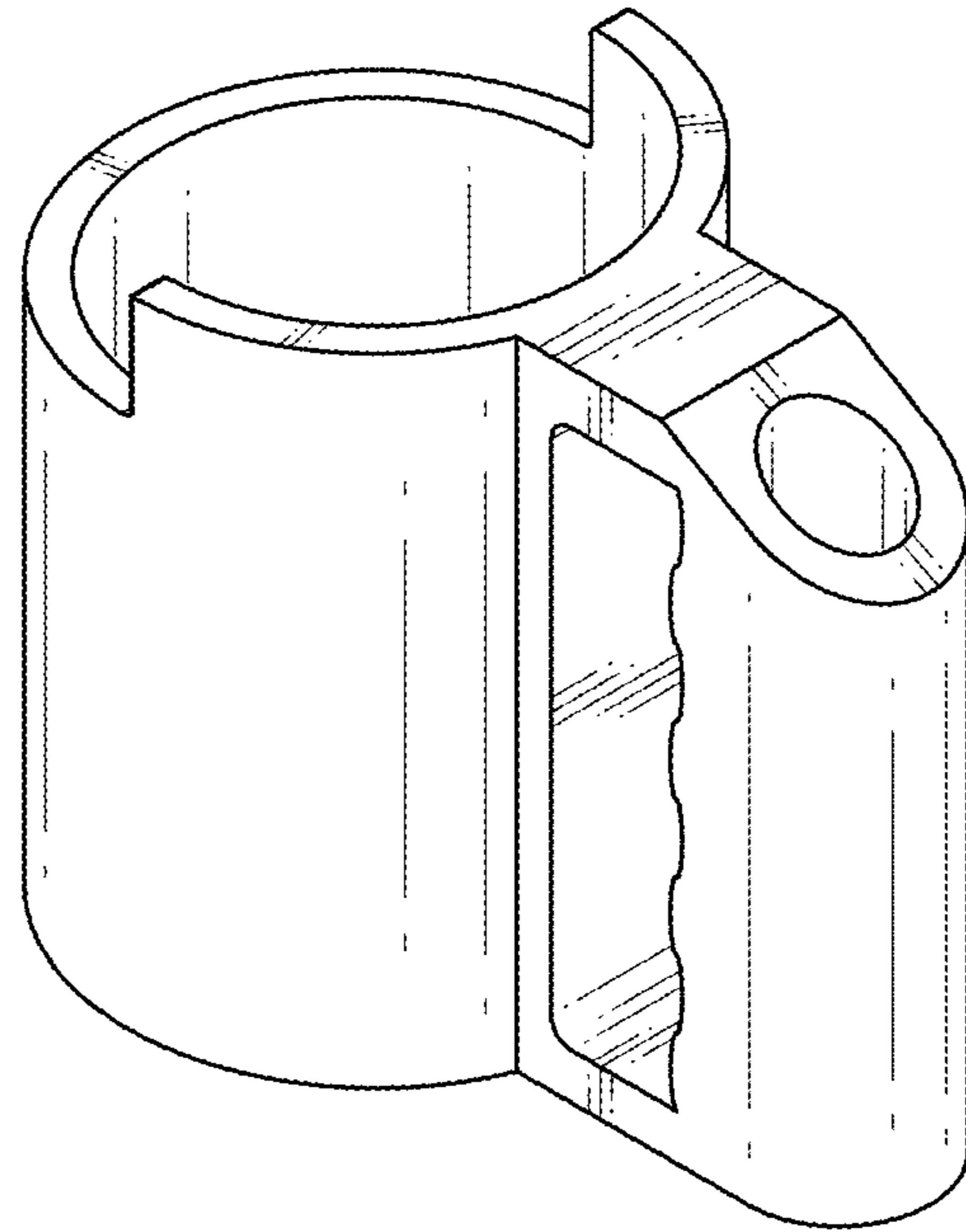


FIG. 1

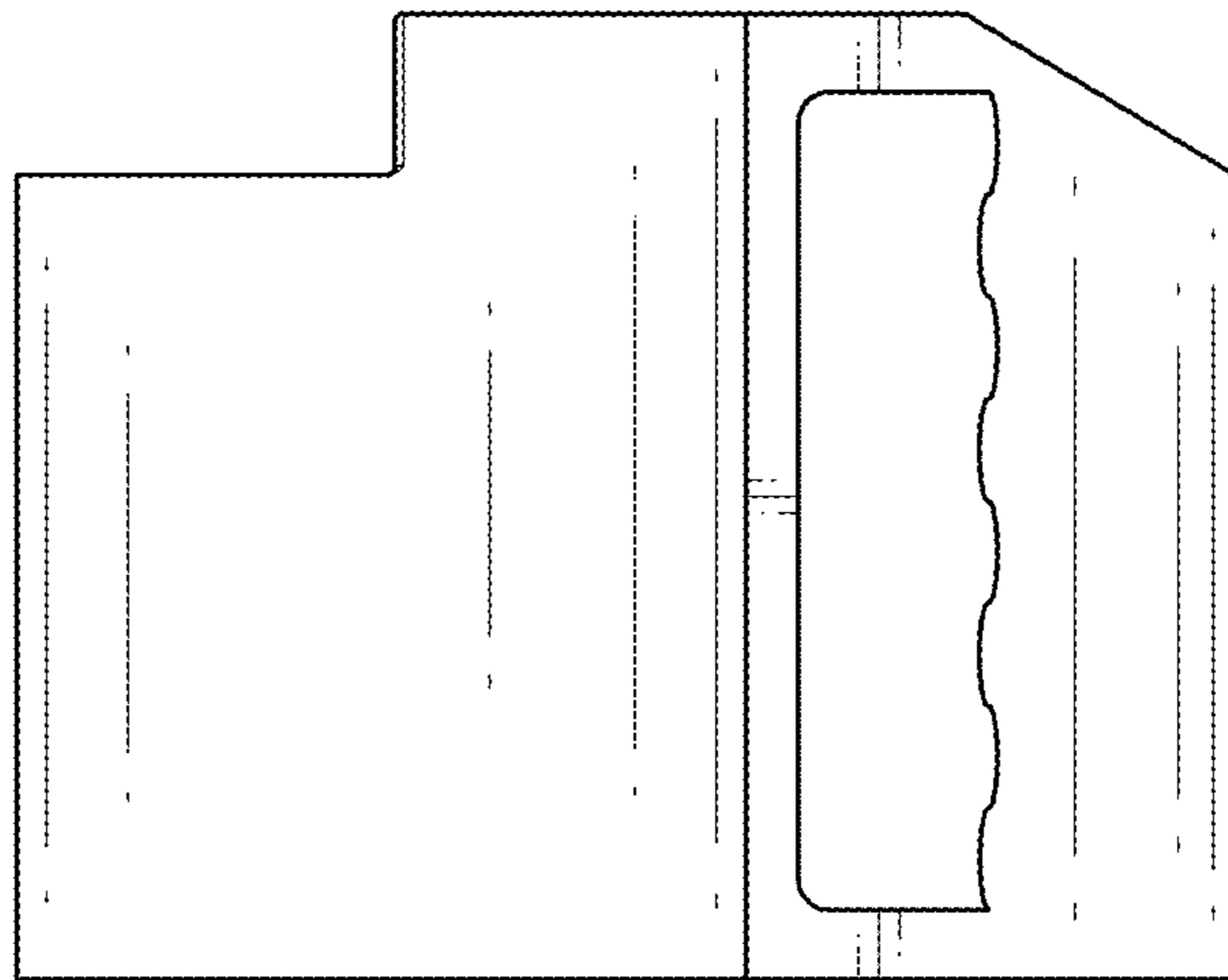


FIG. 2

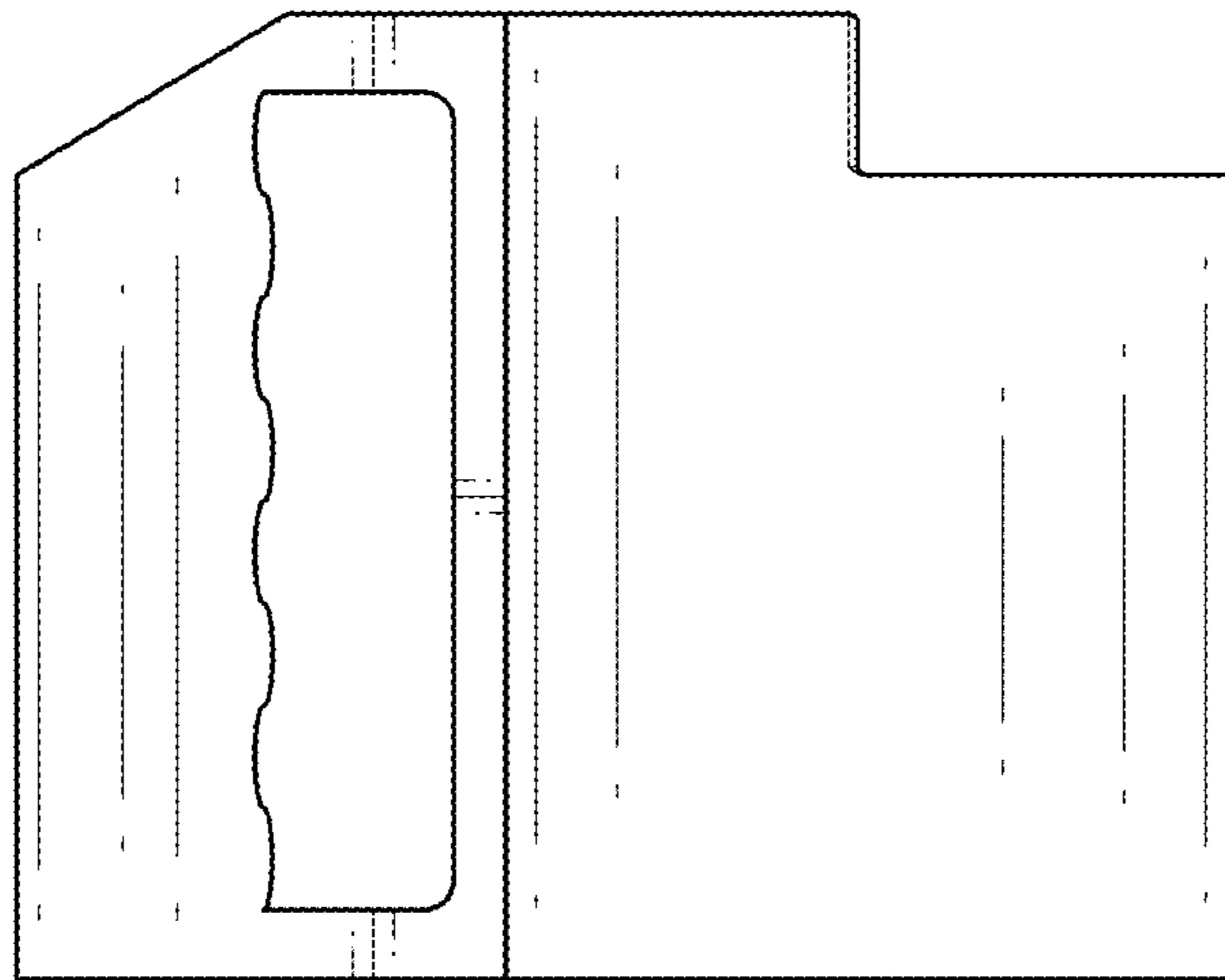


FIG. 3

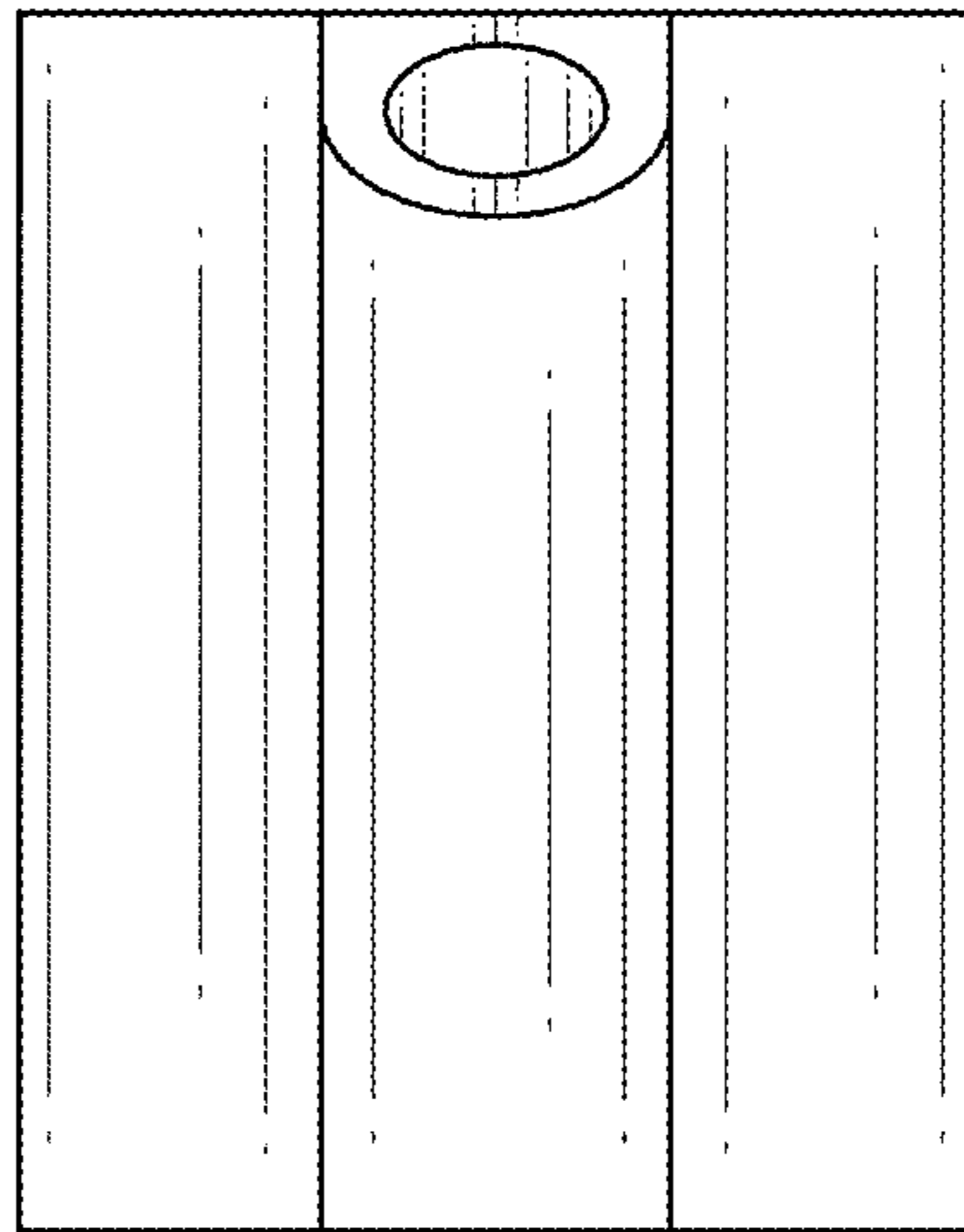


FIG. 4

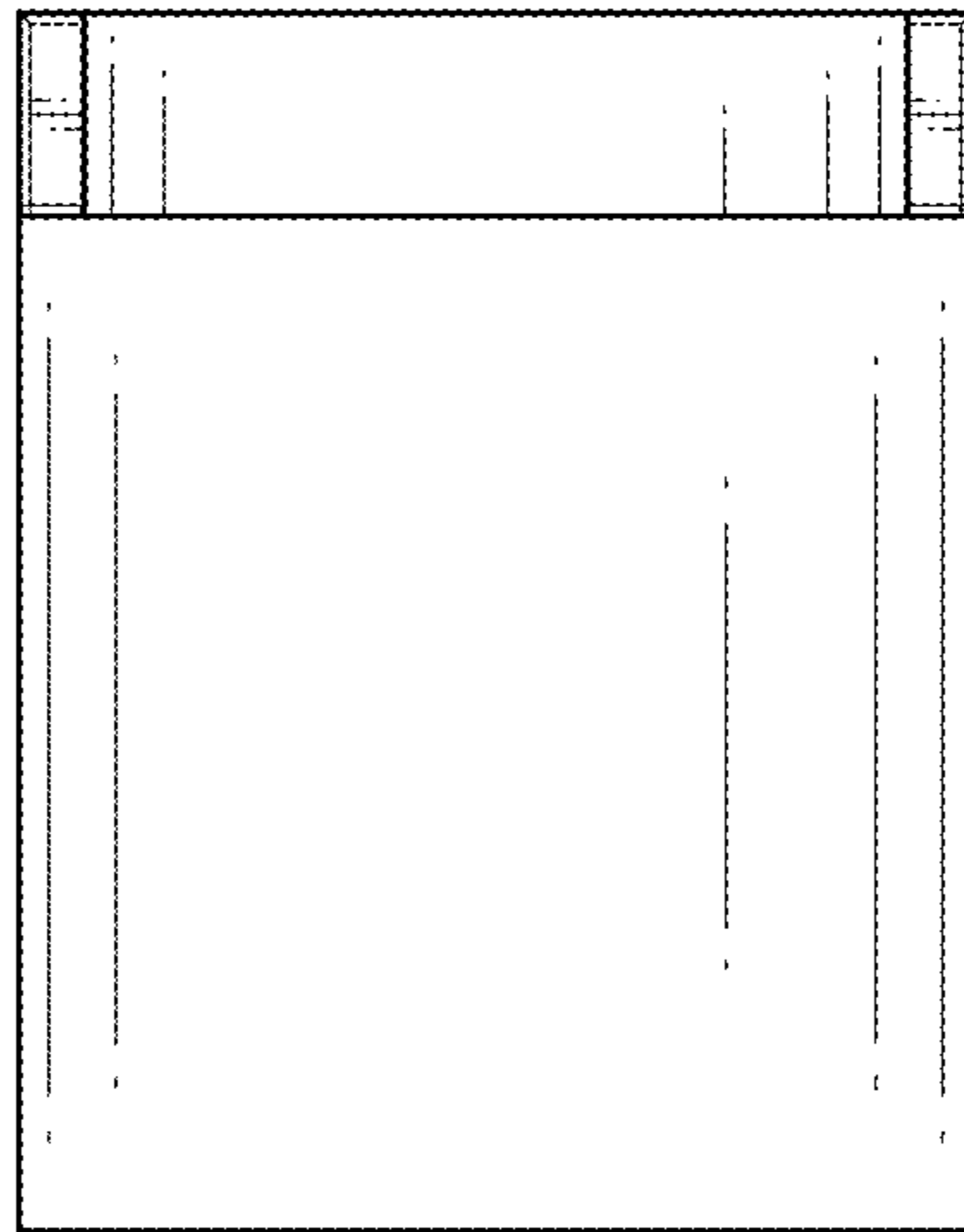


FIG. 5

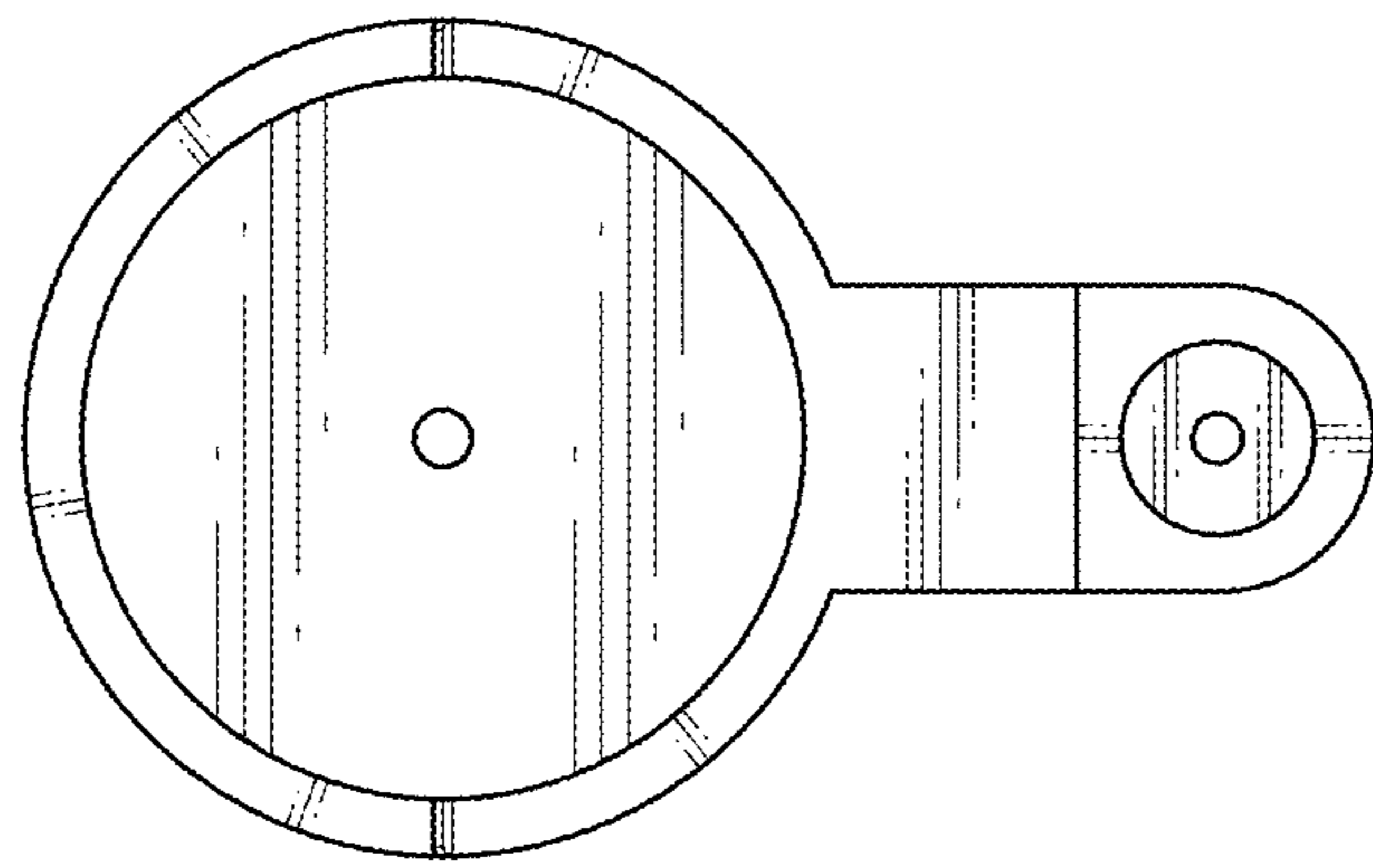


FIG. 6

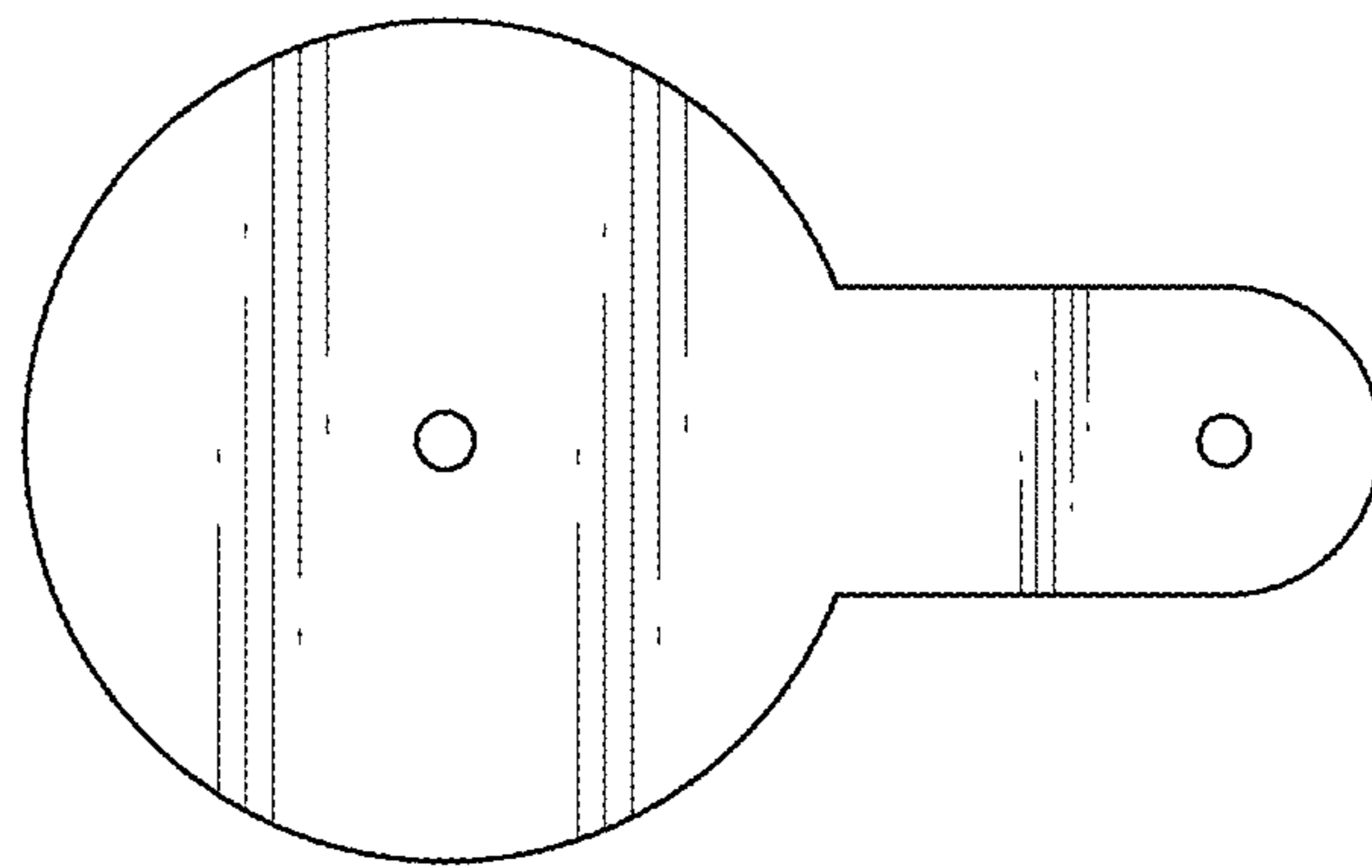


FIG. 7