



US00D947620S

(12) **United States Design Patent**
Edlund Tjernberg et al.

(10) **Patent No.:** **US D947,620 S**

(45) **Date of Patent:** **** Apr. 5, 2022**

(54) **FOOD CONTAINER**

(71) Applicant: **b.box for kids developments Pty Ltd,**
Mulgrave (AU)

(72) Inventors: **Lisa Edlund Tjernberg,** Mulgrave
(AU); **Sylvain Jacques Amatoury,**
Mulgrave (AU)

(73) Assignee: **b.box for kids developments Pty Ltd,**
Mulgrave (AU)

(**) Term: **15 Years**

(21) Appl. No.: **29/699,153**

(22) Filed: **Jul. 23, 2019**

(51) **LOC (13) Cl.** **07-01**

(52) **U.S. Cl.**
USPC **D7/605; D3/276**

(58) **Field of Classification Search**

USPC D3/201, 217, 273, 276, 279, 283, 285,
D3/289, 290, 900, 902, 905, 257, 258,
D3/278, 318, 303, 254, 321, 216, 901;
D7/605, 607, 629

CPC A45C 2003/008; A45C 2005/035; A45C
2003/007; A45C 13/02; A45C 11/02;
A45C 2200/10; A45C 2013/026; A45C
2013/025; B25H 3/02; B65F 1/04; B65F
1/08; B65D 81/3813; B65D 81/3816

See application file for complete search history.

(56) **References Cited**

U.S. PATENT DOCUMENTS

D420,257 S * 2/2000 Birutis D7/607
D422,181 S * 4/2000 Birutis D7/607

(Continued)

OTHER PUBLICATIONS

Amazon, "Munchkin Bento Box Toddler Lunch Box, Green", First
reviewed Aug. 1, 2020. (<https://www.amazon.com/Munchkin-Bento-Toddler-Lunch-Green/dp/B081FTXL87?th=1>) (Year: 2020).*

(Continued)

Primary Examiner — April Rivas

(74) *Attorney, Agent, or Firm* — Young Basile Hanlon &
MacFarlane, P.C.

(57) **CLAIM**

The ornamental design for a food container, as shown and
described.

DESCRIPTION

FIG. 1 is a top, left perspective view of a first embodiment
of a food container showing my new design;

FIG. 2 is a bottom, right perspective view of the food
container of FIG. 1.

FIG. 3 is top plan view of the food container of FIG. 1.

FIG. 4 is a bottom plan view of the food container of FIG.
1.

FIG. 5 is a front side view of the food container of FIG. 1.

FIG. 6 is rear side view of the food container of FIG. 1.

FIG. 7 is a left side view of the food container of FIG. 1.

FIG. 8 is a right side view of the food container of FIG. 1.

FIG. 9 is a top, left perspective view of a second embodi-
ment of the food container.

FIG. 10 is a bottom, right perspective view of the food
container of FIG. 9.

FIG. 11 is top plan view of the food container of FIG. 9.

FIG. 12 is a bottom plan view of the food container of FIG.
9.

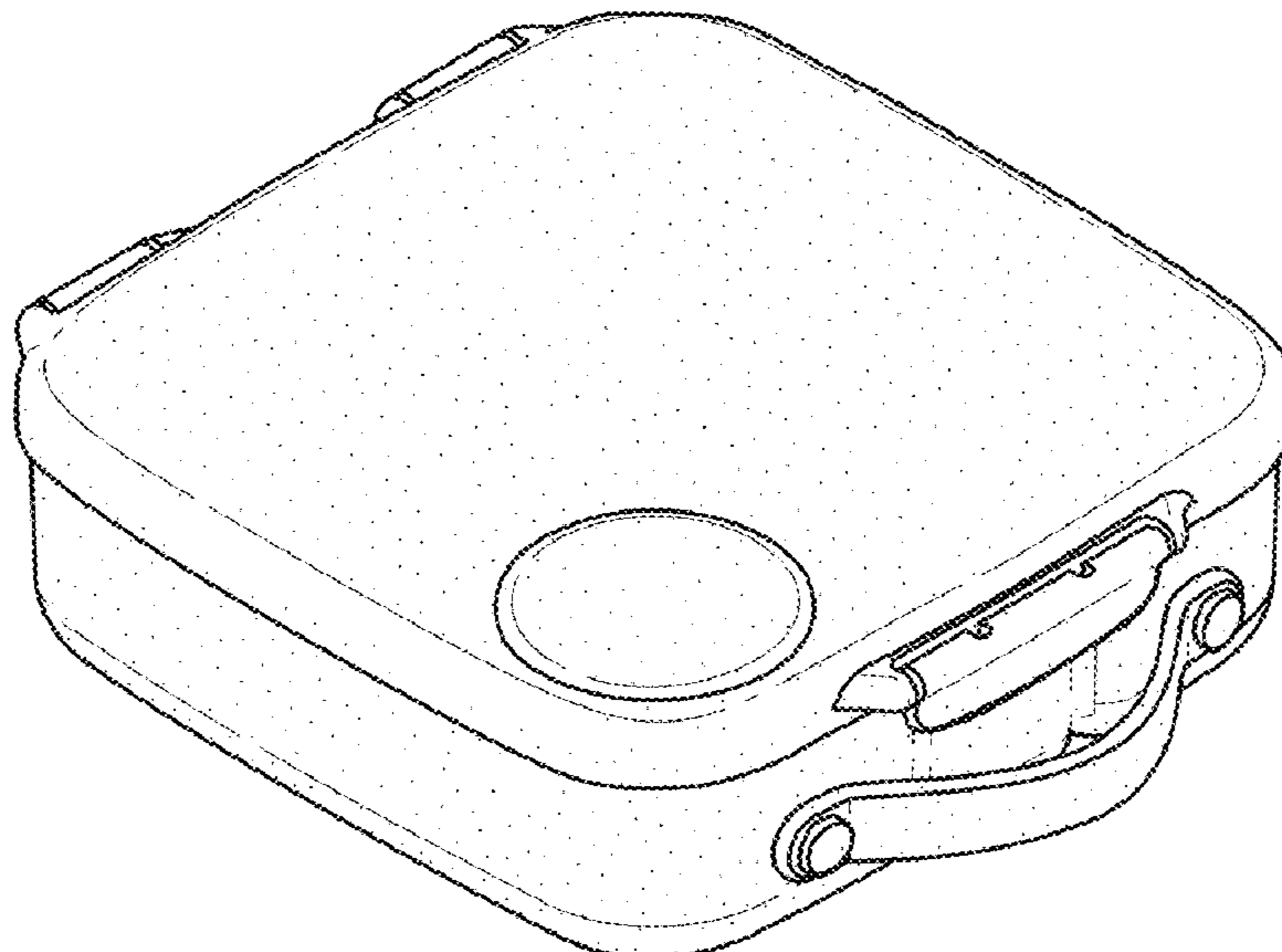
FIG. 13 is a front side view of the food container of FIG. 9.

FIG. 14 is rear side view of the food container of FIG. 9.

FIG. 15 is a right side view of the food container of FIG. 9;
and,

FIG. 16 is a left side view of the food container of FIG. 9.

1 Claim, 8 Drawing Sheets



(56)

References Cited

U.S. PATENT DOCUMENTS

D607,701 S *	1/2010	Pedrazzi	D7/709
D618,966 S *	7/2010	Koehler	D7/607
D624,316 S *	9/2010	Ferber	D3/294
D780,524 S *	3/2017	Jacobsen	D7/607
D781,110 S *	3/2017	Jacobsen	D7/607
D790,933 S *	7/2017	Solly	D7/709
D821,823 S *	7/2018	Racamier	D7/602
D842,048 S *	3/2019	Wells	D7/607
D857,390 S *	8/2019	Kwon	D3/301
D913,758 S *	3/2021	Diener	D7/709
D917,883 S *	5/2021	Smith	D3/301

OTHER PUBLICATIONS

Lunchbox Mini, "OmieBox—Green Meadow", First reviewed Sep. 30, 2018. (<https://www.lunchboxmini.com/products/copy-of-omiebox-green-meadow-introductory-price>) (Year: 2018).*

* cited by examiner

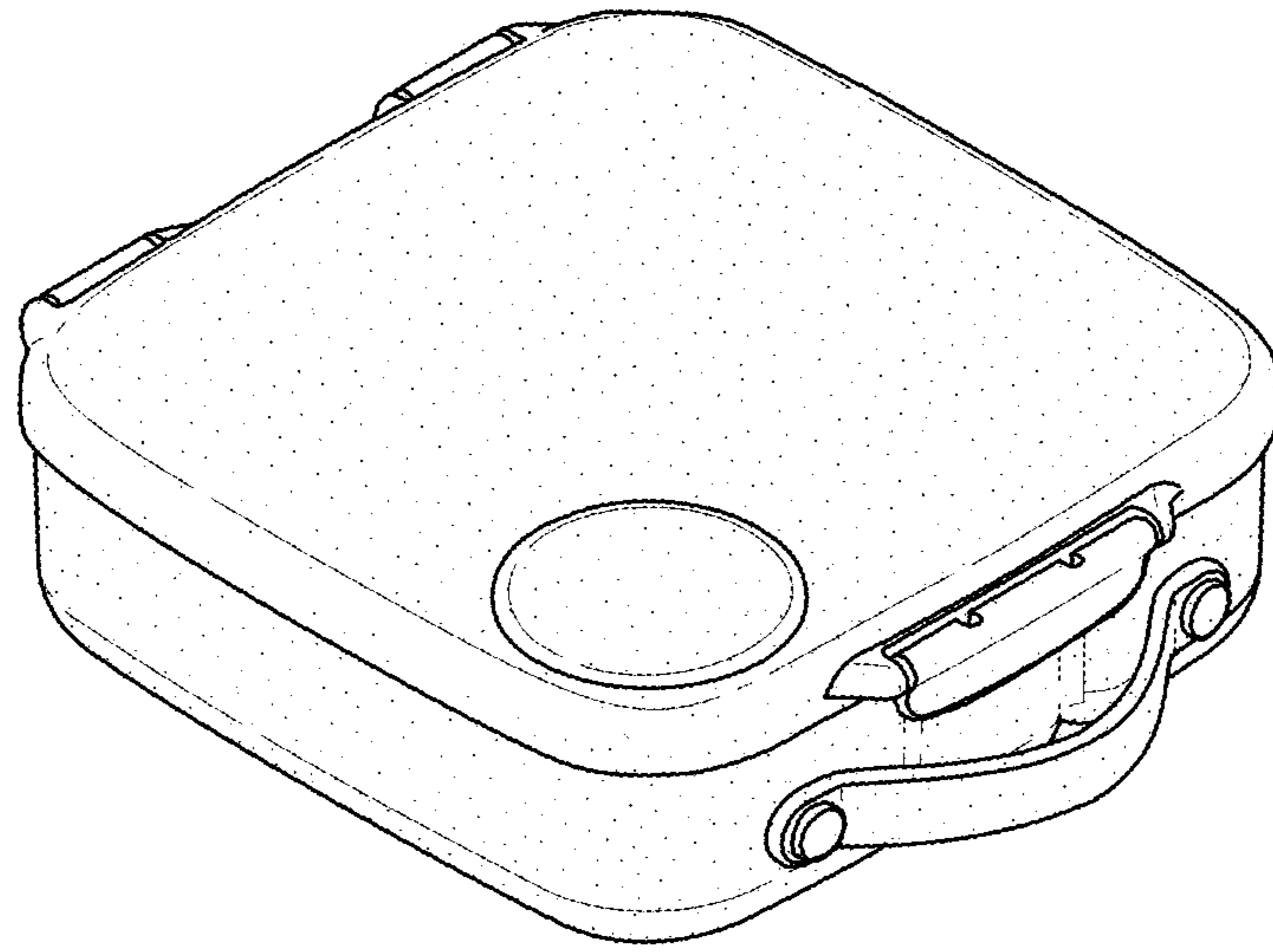


FIG. 1

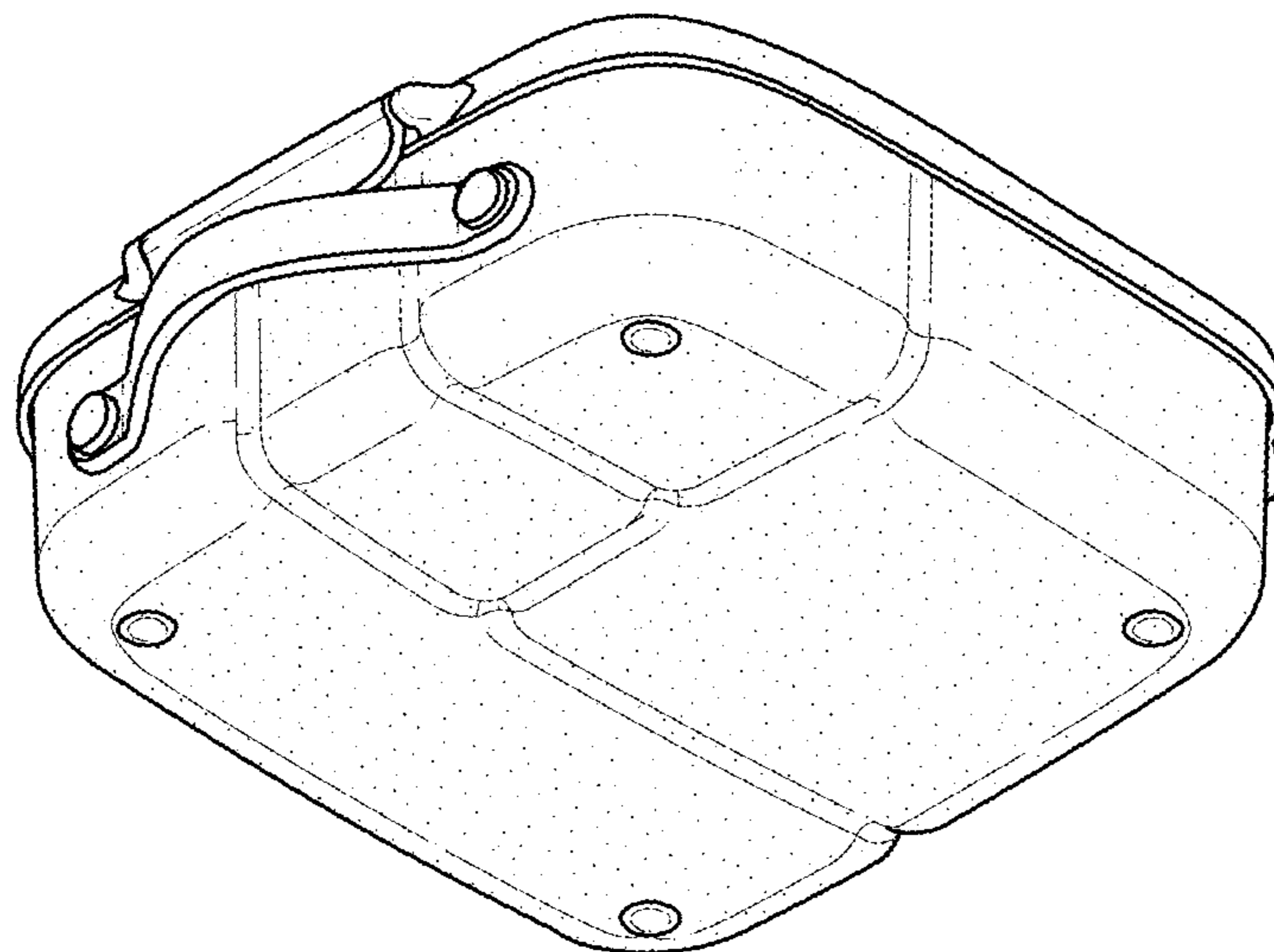


FIG. 2

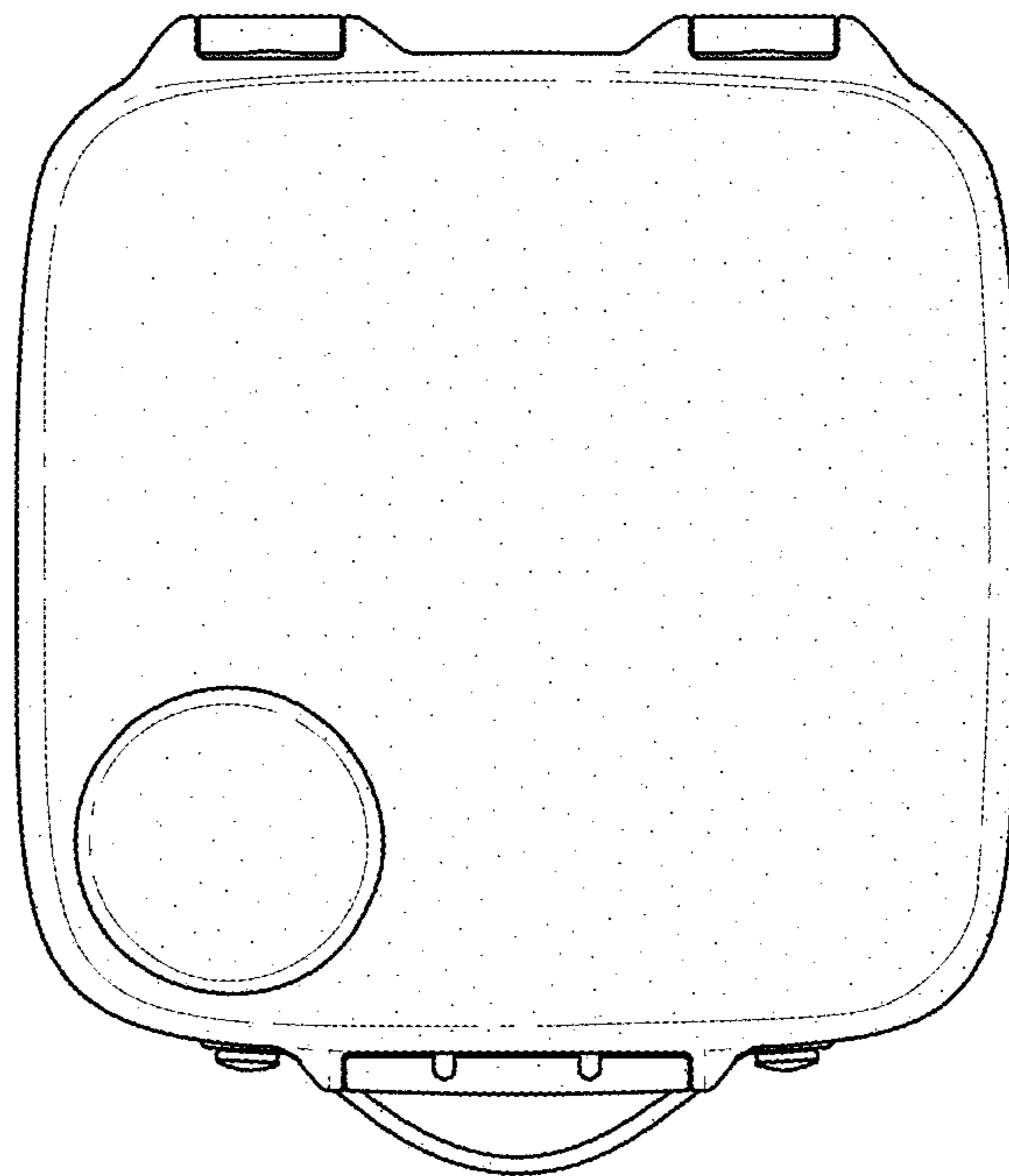


FIG. 3

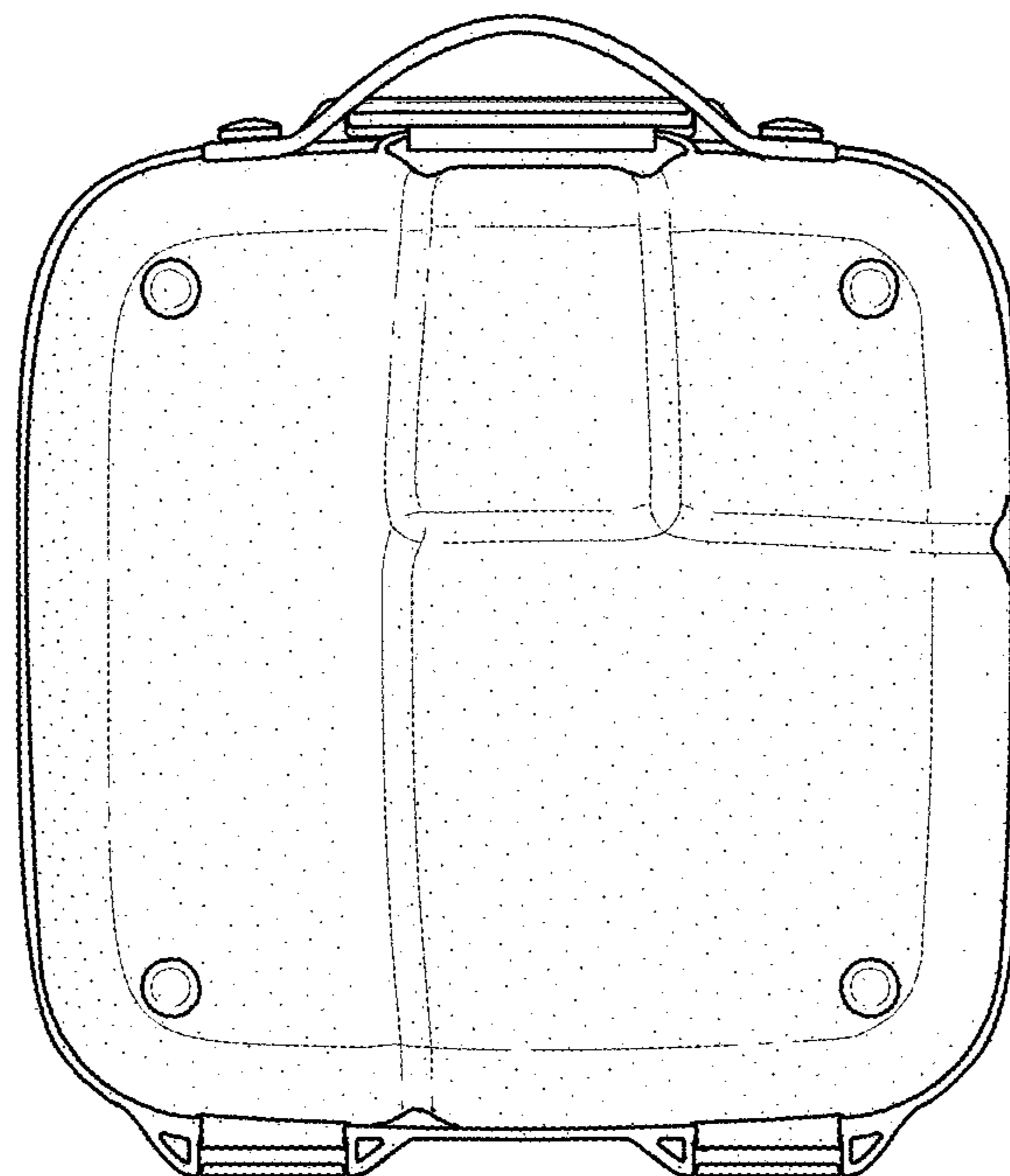


FIG. 4

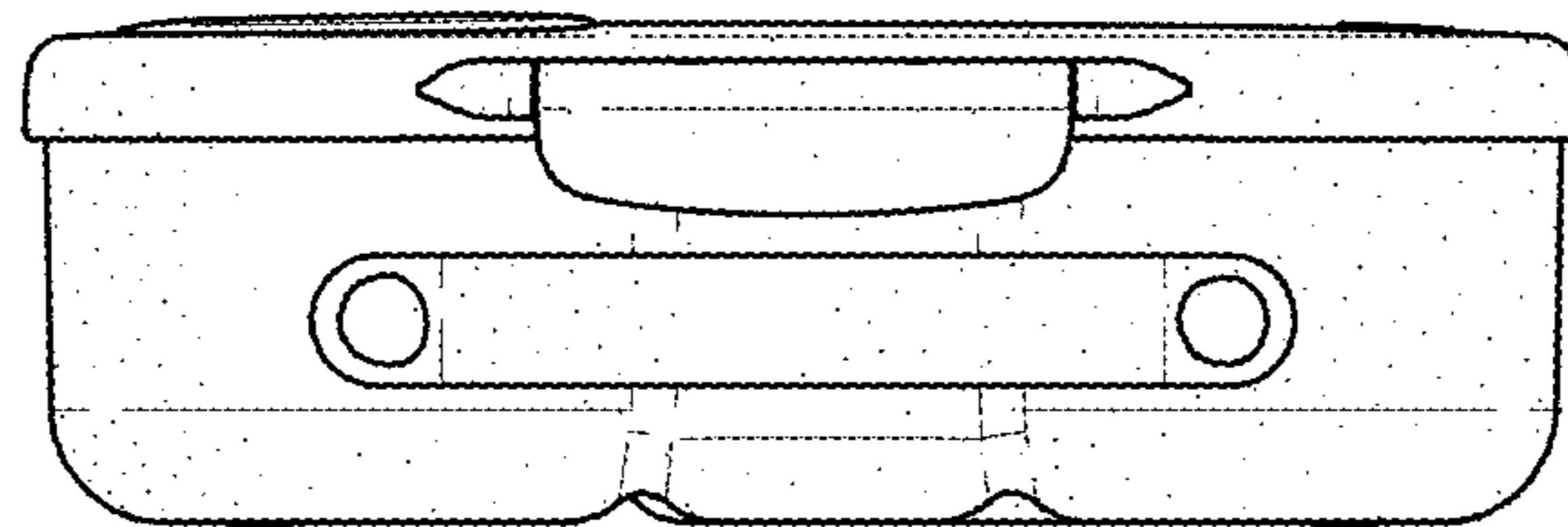


FIG. 5

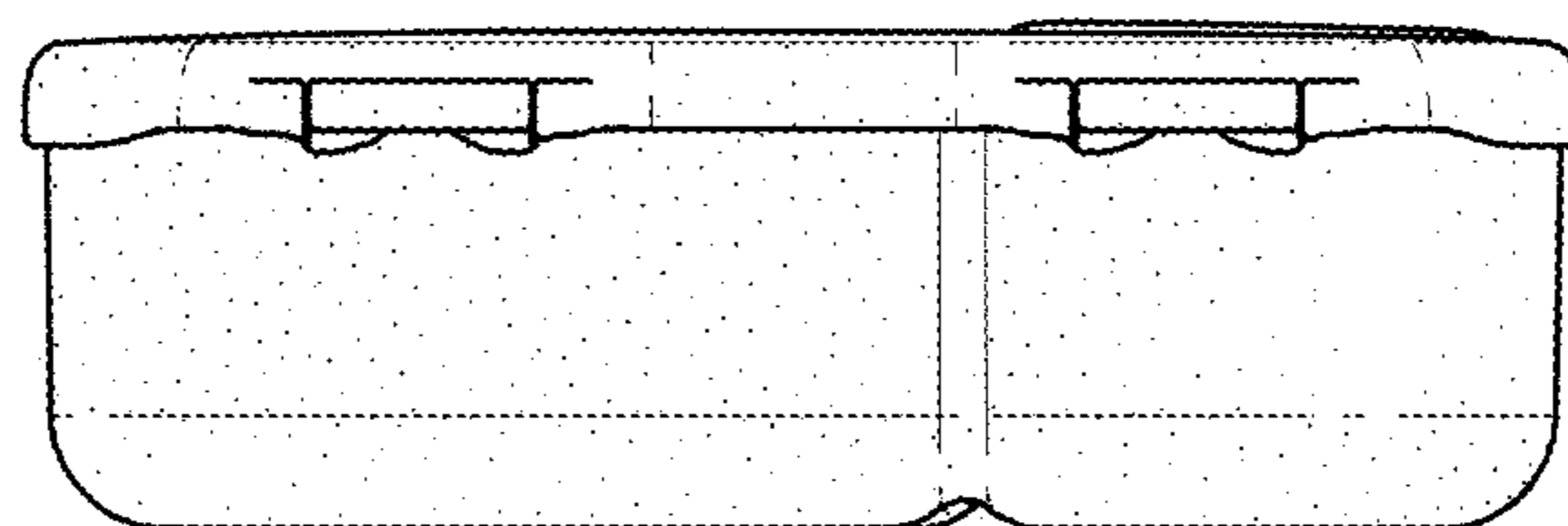


FIG. 6

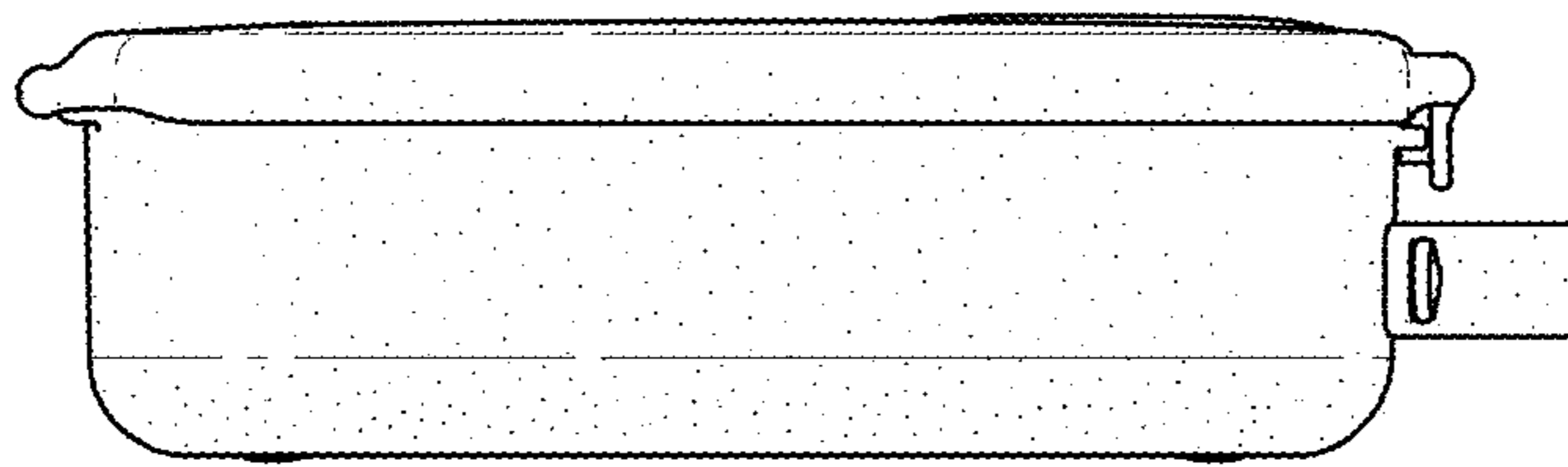


FIG. 7

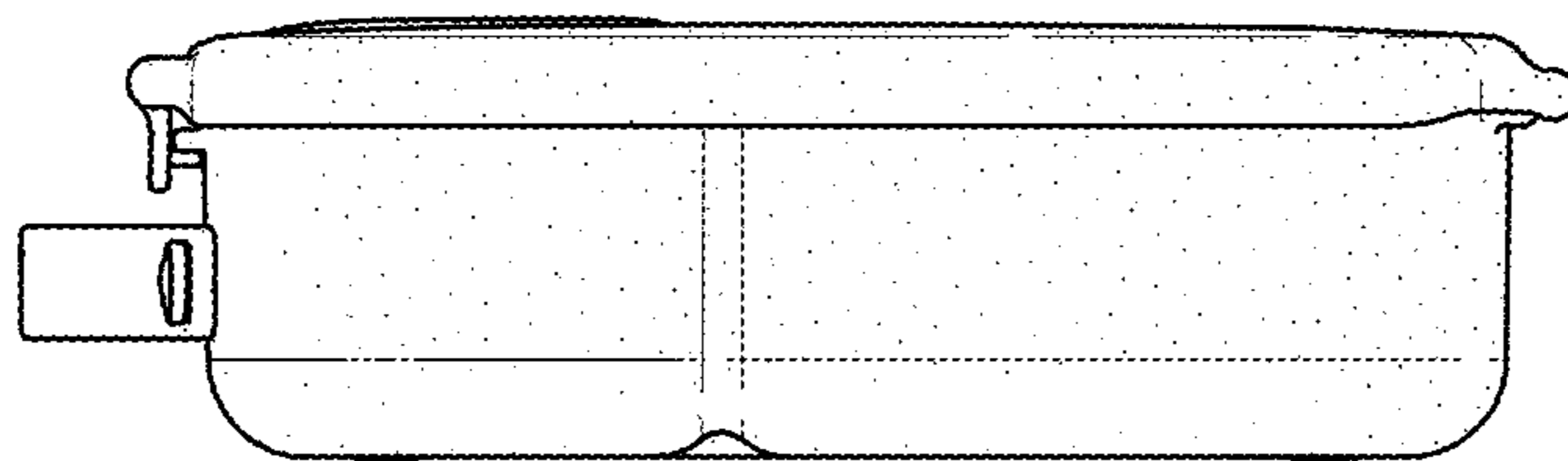


FIG. 8

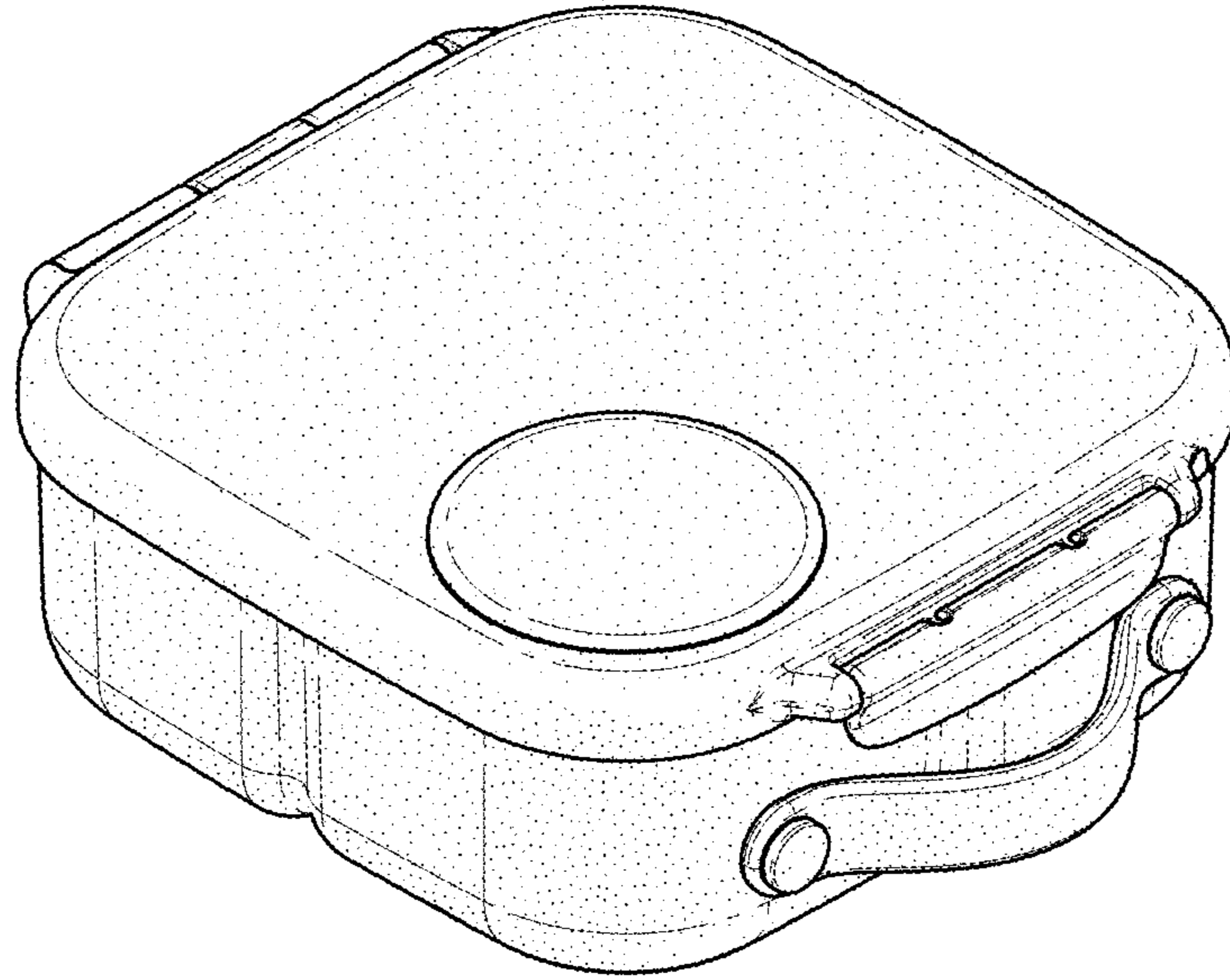


FIG. 9

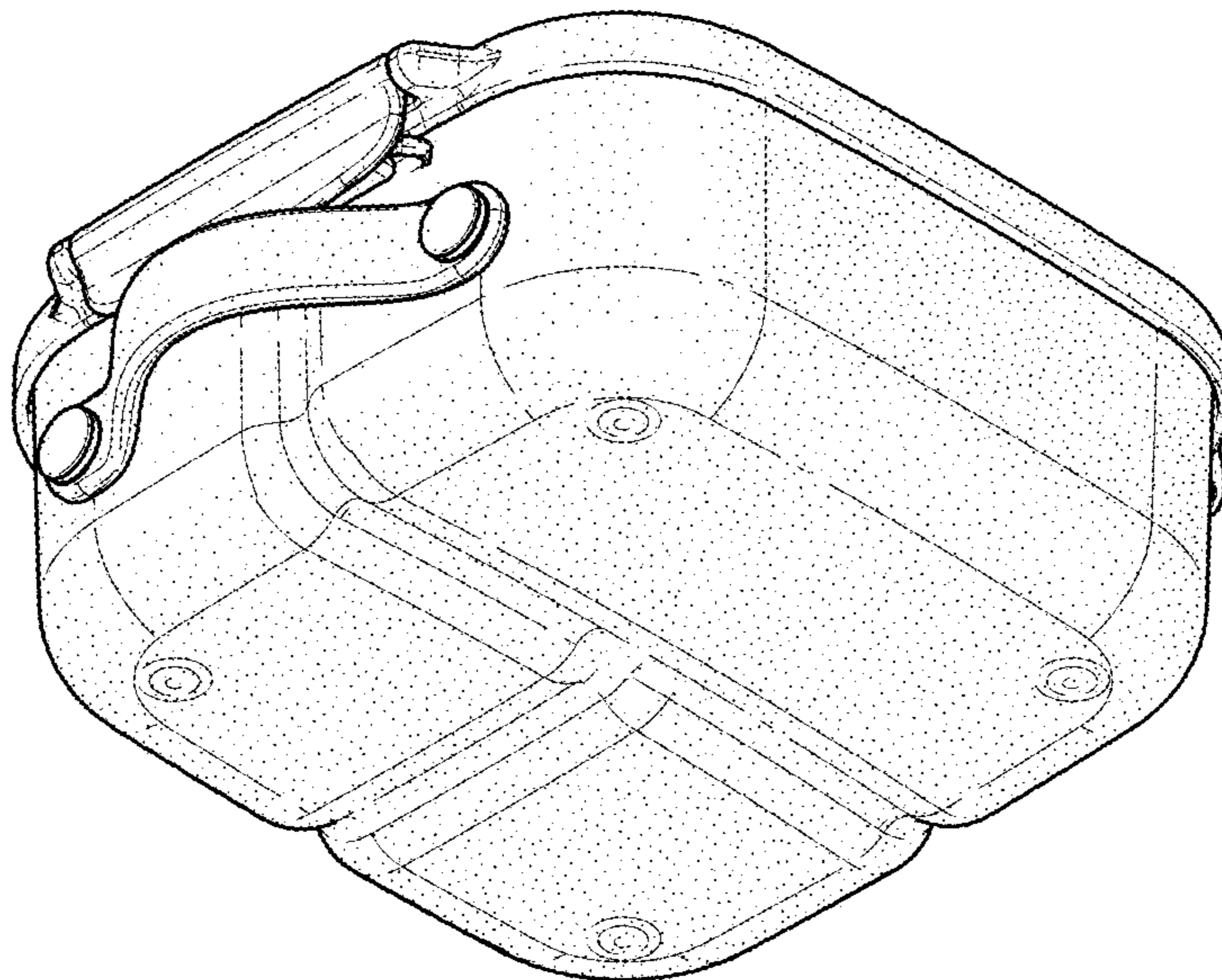


FIG. 10

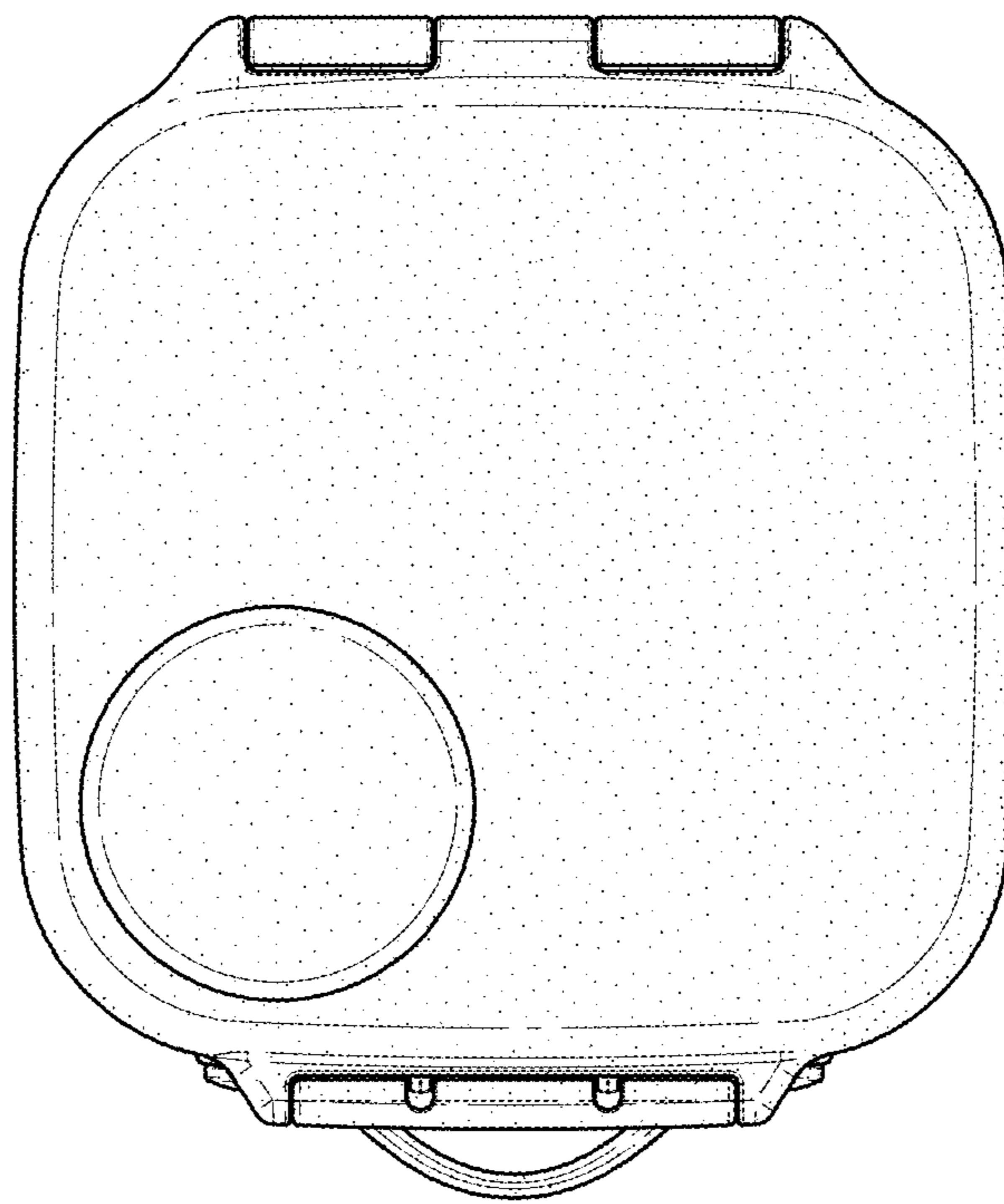


FIG. 11

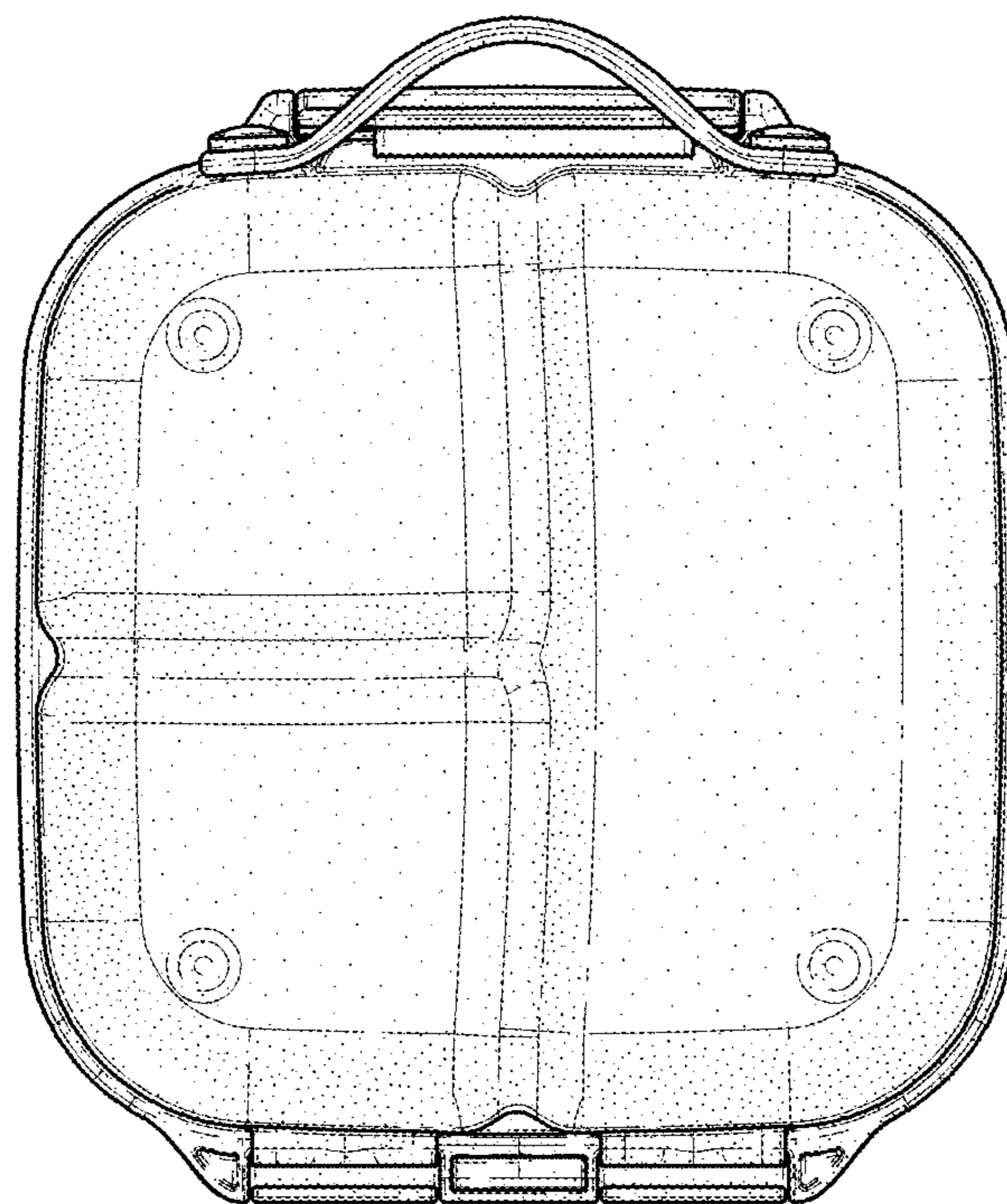


FIG. 12

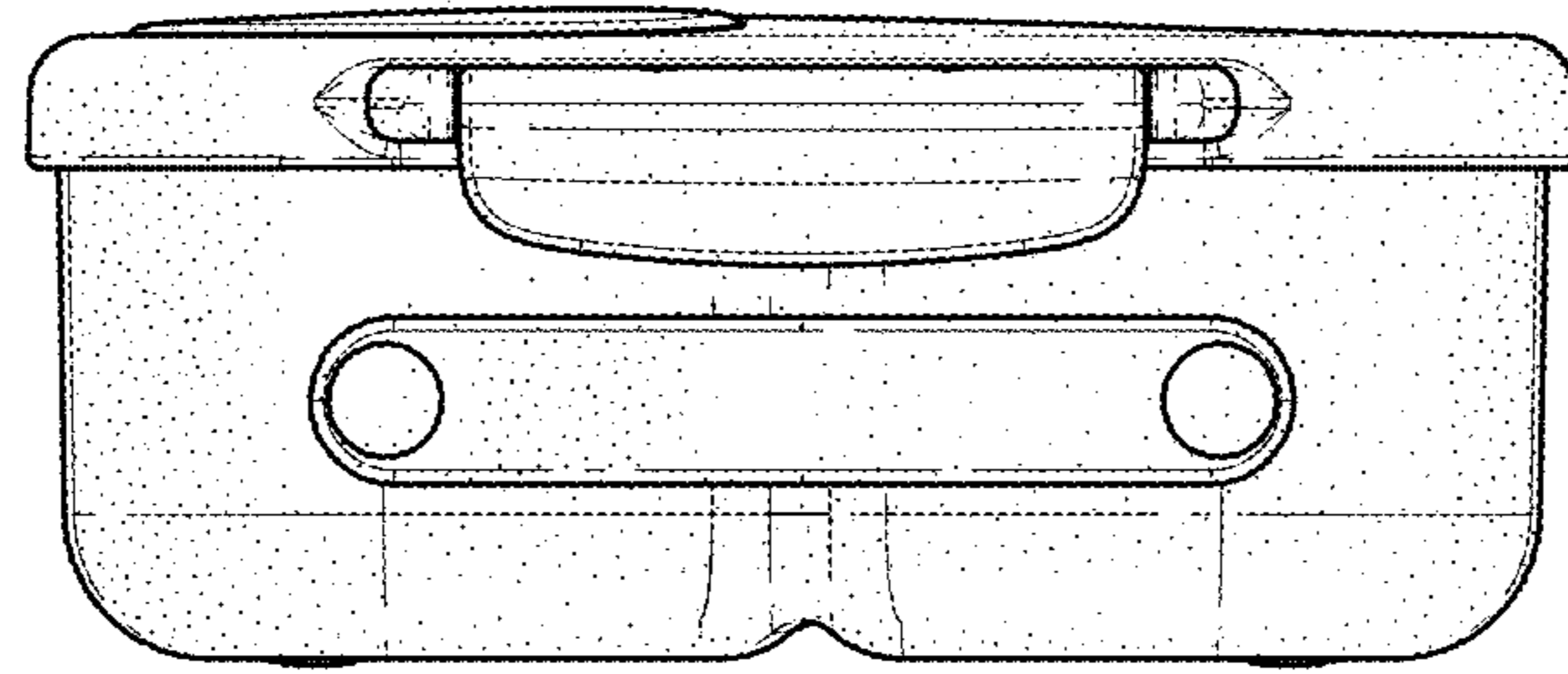


FIG. 13

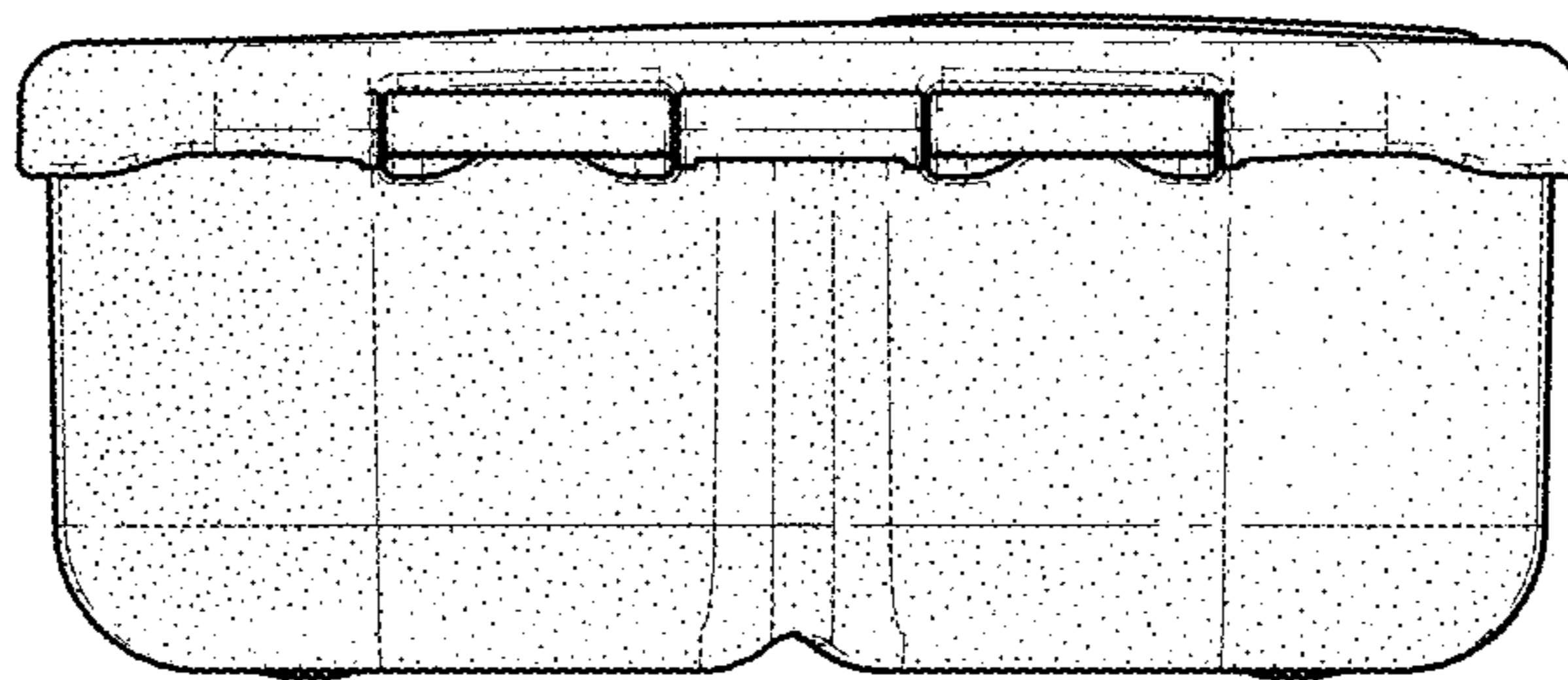


FIG. 14

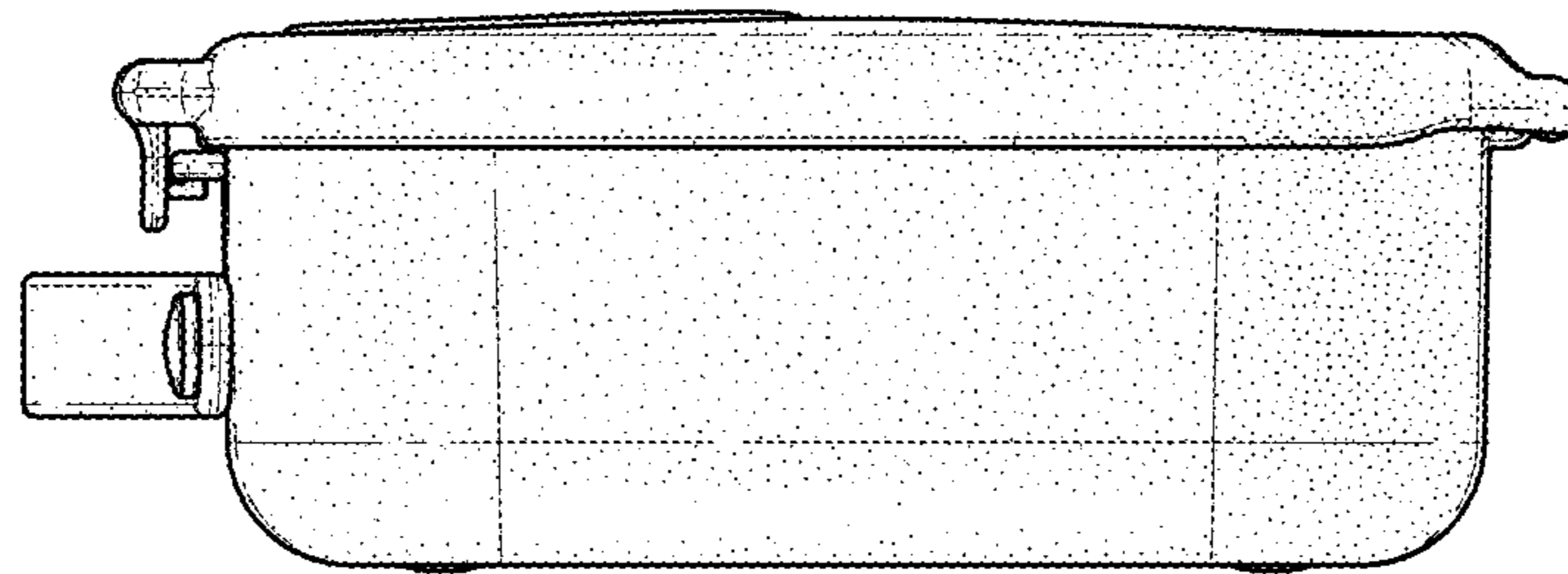


FIG. 15

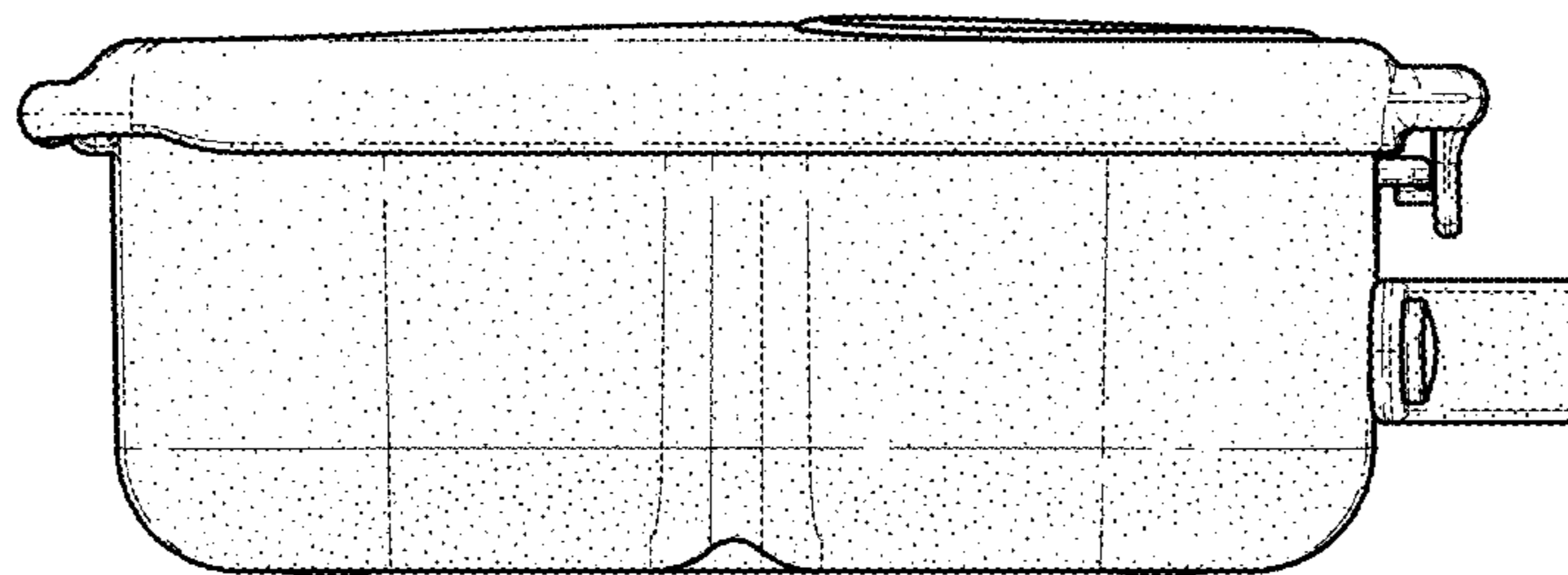


FIG. 16