



US00D947617S

(12) **United States Design Patent** (10) **Patent No.:** **US D947,617 S**
Field (45) **Date of Patent:** **** Apr. 5, 2022**

(54) **TRAY WITH CUPHOLDER**
(71) Applicant: **Susan Field**, Glen Burnie, MD (US)
(72) Inventor: **Susan Field**, Glen Burnie, MD (US)
(**) Term: **15 Years**
(21) Appl. No.: **29/788,250**

(22) Filed: **Apr. 18, 2021**
(51) **LOC (13) Cl.** **07-01**
(52) **U.S. Cl.**
USPC **D7/553.5**
(58) **Field of Classification Search**
USPC D7/396.1, 500, 538, 540, 550.1, 552.1,
D7/553, 553.2, 553.4, 553.5, 553.6,
D7/554.2; D9/716, 719, 744-745, 756,
D9/759-760, 761; D3/304, 313, 315
CPC B65D 1/34; B65D 21/00; B65D 21/0204;
A47G 23/06; A47G 23/0641; A47G
23/08; A47G 23/0208; A47G 23/0633;
B25H 3/06; A47B 23/00
See application file for complete search history.

(56) **References Cited**

U.S. PATENT DOCUMENTS

D157,700 S * 3/1950 Price D7/553.5
2,512,963 A * 6/1950 Peiker B65D 71/72
206/563
RE24,233 E * 10/1956 Goldberg B65D 71/72
206/563
D345,083 S * 3/1994 Rosenfield D7/553.5
D351,489 S * 10/1994 Helfrick D30/161
D356,471 S * 3/1995 Corsi D19/103
5,953,999 A * 9/1999 Kanehl B60N 3/007
108/44
D526,851 S * 8/2006 Groff D7/552.1
D735,531 S * 8/2015 Wilson D7/505
D835,920 S * 12/2018 Sullins D6/406.3
D858,207 S * 9/2019 Chiang D7/554.3

D877,572 S * 3/2020 Chiang D7/554.3
D884,432 S * 5/2020 Chiang D7/554.3
D894,688 S * 9/2020 Floco D7/553.2
D919,371 S * 5/2021 Chiang D7/552.1
D925,291 S * 7/2021 Kellow, Jr. D7/553.2
2004/0238537 A1 * 12/2004 Ojeda B60N 3/002
220/23.8
2006/0249999 A1 * 11/2006 Bergin A47C 7/624
297/188.18

OTHER PUBLICATIONS

“https://www.youtube.com/watch?v=dJsUrb7EbrY”, accessed Apr. 15, 2021.
“https://www.amazon.com/Stonebriar-Natural-Serving-Handles-Holder/dp/B07XVZZNB9”, accessed Apr. 15, 2021.
“https://www.amazon.com/KINETICS-20x14in-Ottoman-Breakfast-Decorative/dp/B085NDDNYT”, accessed Apr. 15, 2021.

(Continued)

Primary Examiner — Kelley A Donnelly
(74) *Attorney, Agent, or Firm* — Tatonetti IP

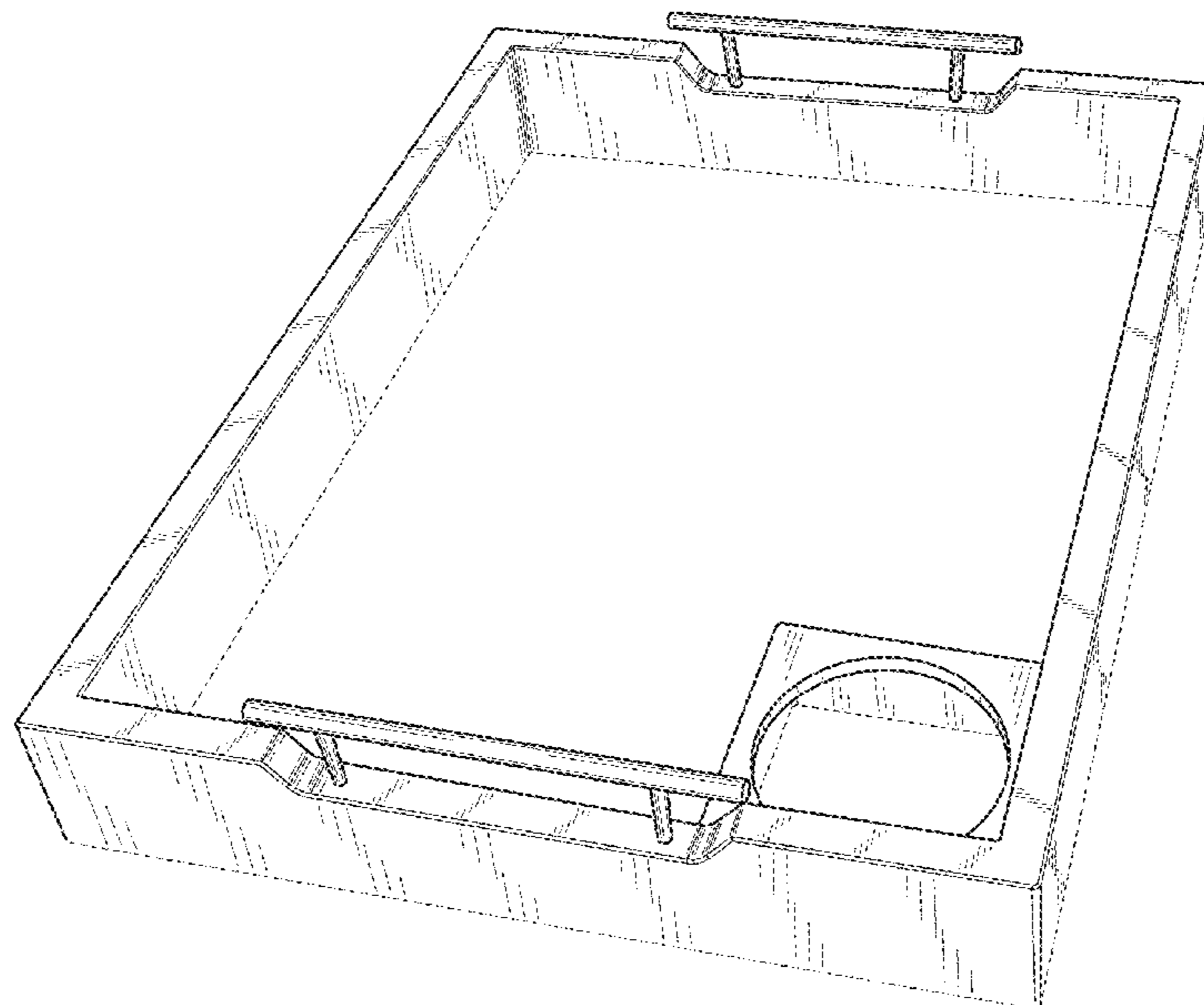
(57) **CLAIM**

I claim the ornamental design for a tray with cupholder, as shown and described.

DESCRIPTION

FIG. 1 is a perspective view of a tray with cupholder showing my new design;
FIG. 2 is a right side view thereof;
FIG. 3 is a left side view thereof;
FIG. 4 is a front side view thereof;
FIG. 5 is a rear side view thereof;
FIG. 6 is a top side plan view thereof; and,
FIG. 7 is a bottom side plan view thereof.
The broken lines, such as those representing the bottom surface of the tray with cupholder, depict portions that form no part of the claimed design.

1 Claim, 7 Drawing Sheets



(56)

References Cited

OTHER PUBLICATIONS

“<https://www.amazon.com/Serving-Ottoman-Breakfast-Coasters-Included/dp/B08DNWR3SF/>”, accessed Apr. 15, 2021.

“https://www.etsy.com/listing/160971097/cherry-ottoman-tray-with-drink-holders?show_sold_out_detail=1&ref=nla_listing_details”, accessed Apr. 15, 2021.

“<https://diyforknuckleheads.com/diy-pallet-wood-serving-tray/>”, accessed Apr. 15, 2021.

“<https://www.oko-7.top/ProductDetail.aspx?iid=52851420&pr=22.99>”, accessed Apr. 15, 2021.

“http://deepseaoutfitters.com/marine_multisystem.html”, accessed Apr. 15, 2021.

“<https://www.oko-7.top/ProductDetail.aspx?iid=52850917&pr=27.99>”, accessed Apr. 15, 2021.

“<https://www.simplychivintage.com/listing/598324044/boho-woven-wicker-rattan-glass-cup>”, accessed Apr. 15, 2021.

* cited by examiner

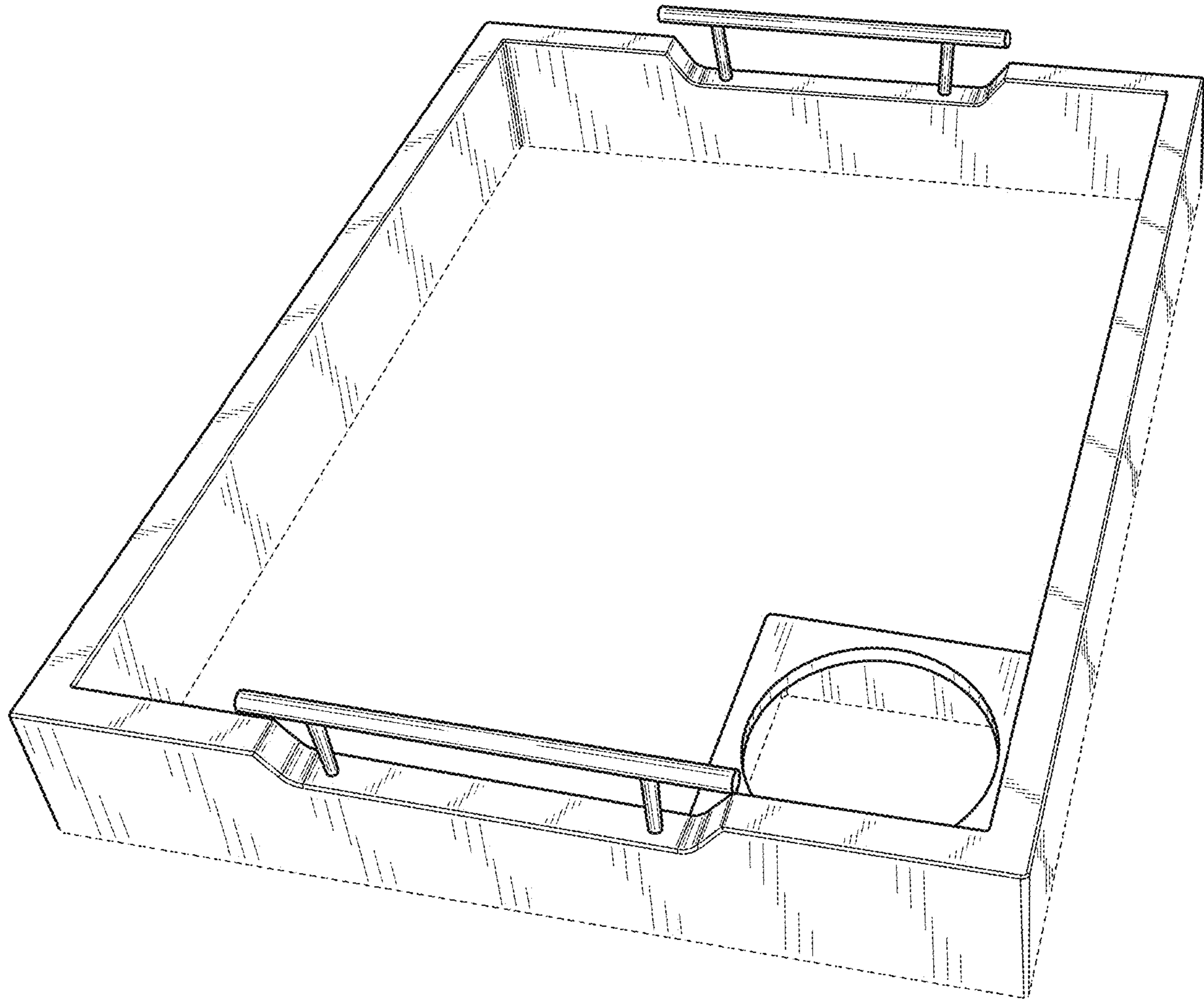


Fig. 1

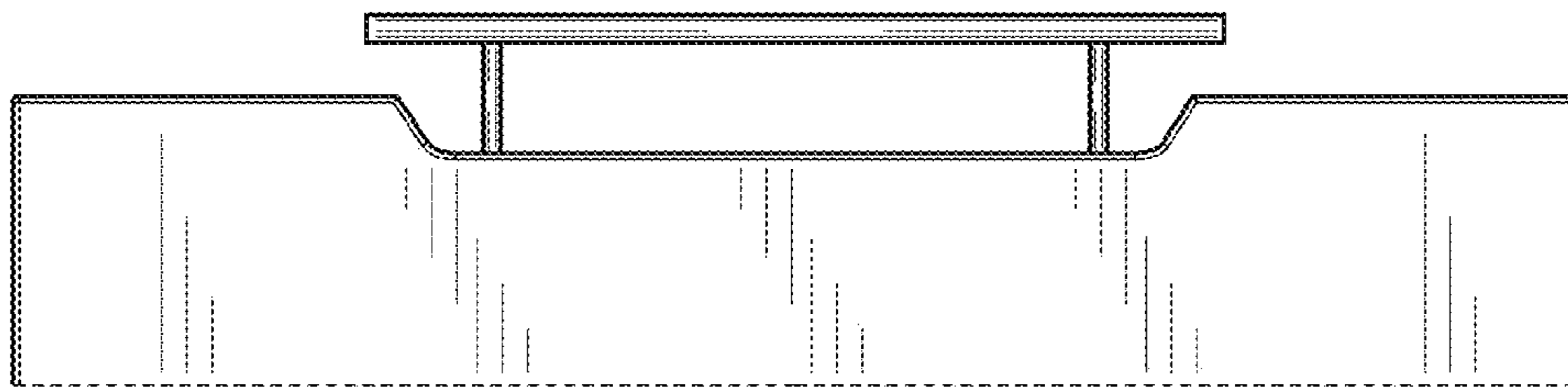


Fig. 2

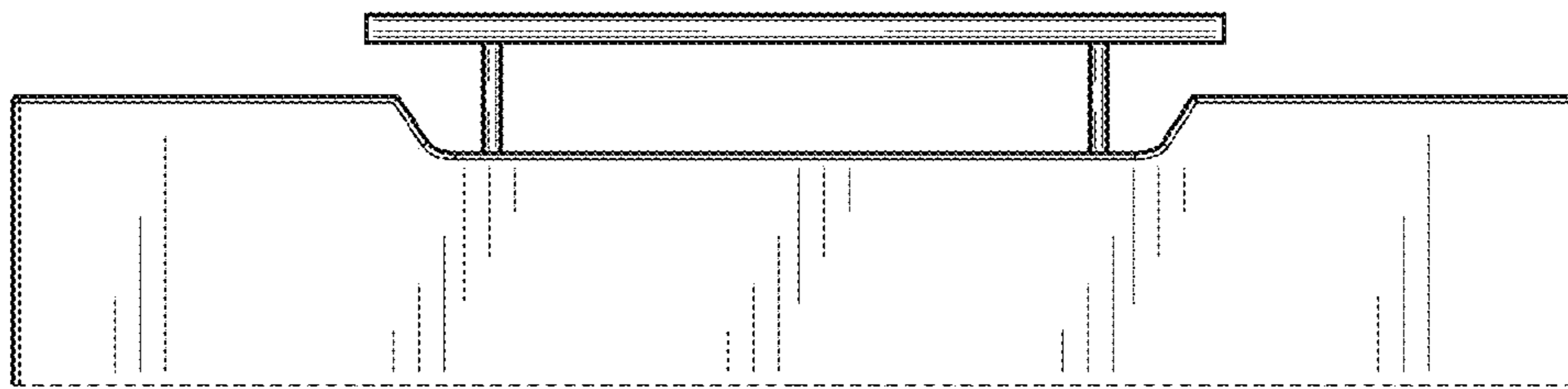


Fig. 3

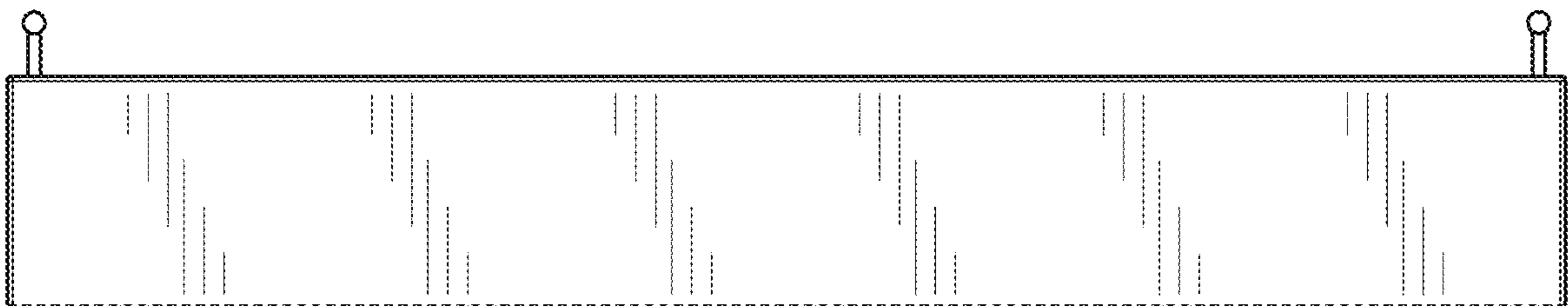


Fig. 4

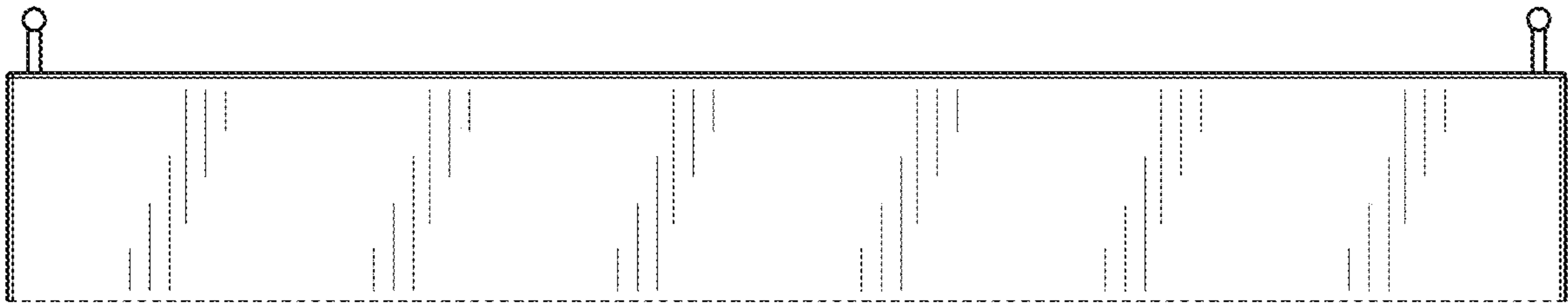


Fig. 5

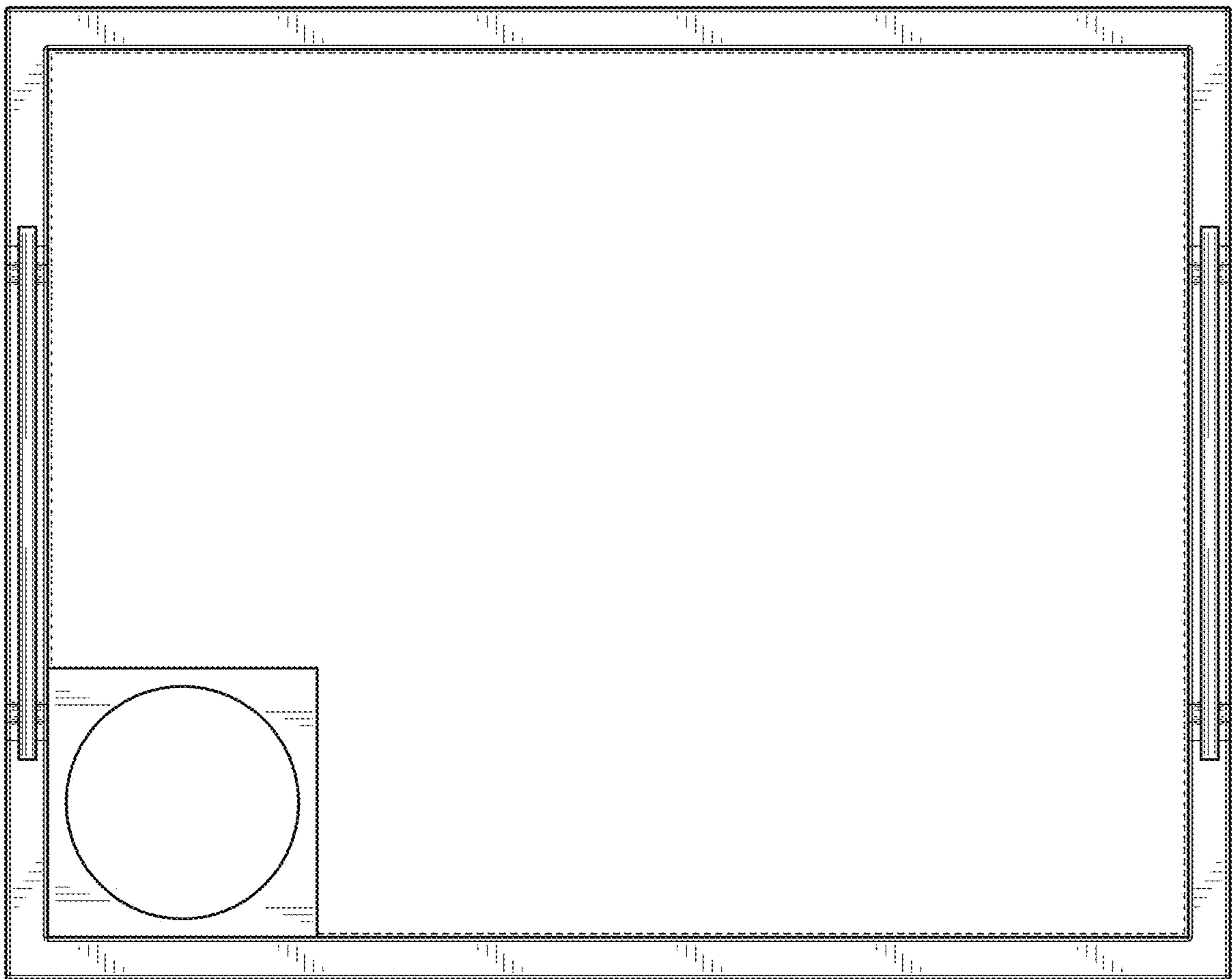


Fig. 6



Fig. 7