



US00D947616S

(12) **United States Design Patent**
Ong

(10) **Patent No.:** **US D947,616 S**

(45) **Date of Patent:** **** Apr. 5, 2022**

- (54) **EGG AND TOAST TRAY**
- (71) Applicant: **Sandy Lay Hua Ong**, Singapore (SG)
- (72) Inventor: **Sandy Lay Hua Ong**, Singapore (SG)
- (**) Term: **15 Years**
- (21) Appl. No.: **29/754,749**
- (22) Filed: **Oct. 14, 2020**
- (51) **LOC (13) Cl.** **07-01**
- (52) **U.S. Cl.**
USPC **D7/553.5**
- (58) **Field of Classification Search**
USPC D7/555, 550.1, 552.1, 553.5, 554.3,
D7/601-602, 609, 611, 701
CPC A47G 19/00; A47G 19/02; A47G 19/06;
A47G 19/30; A47G 23/00; A47G 23/06;
A47G 23/08; B65D 1/00; B65D 25/00
See application file for complete search history.

D295,540 S *	5/1988	Rabig	D19/90
D359,862 S *	7/1995	Rousch	D12/419
D372,846 S *	8/1996	Fortney	D7/673
D380,727 S *	7/1997	Gilstrap	D12/417
D699,505 S *	2/2014	Kadva	D7/359
D703,001 S *	4/2014	Gross	D7/555
10,034,806 B1 *	7/2018	Greenhalgh, Sr.	A61G 7/05
2008/0190372 A1 *	8/2008	Horvath	A01K 5/0135
				119/61.56
2010/0162961 A1 *	7/2010	Hove	A01K 7/00
				119/51.5

* cited by examiner

Primary Examiner — Kelley A Donnelly

(57) **CLAIM**

I claim the ornamental design of the egg and toast tray, as shown and described.

DESCRIPTION

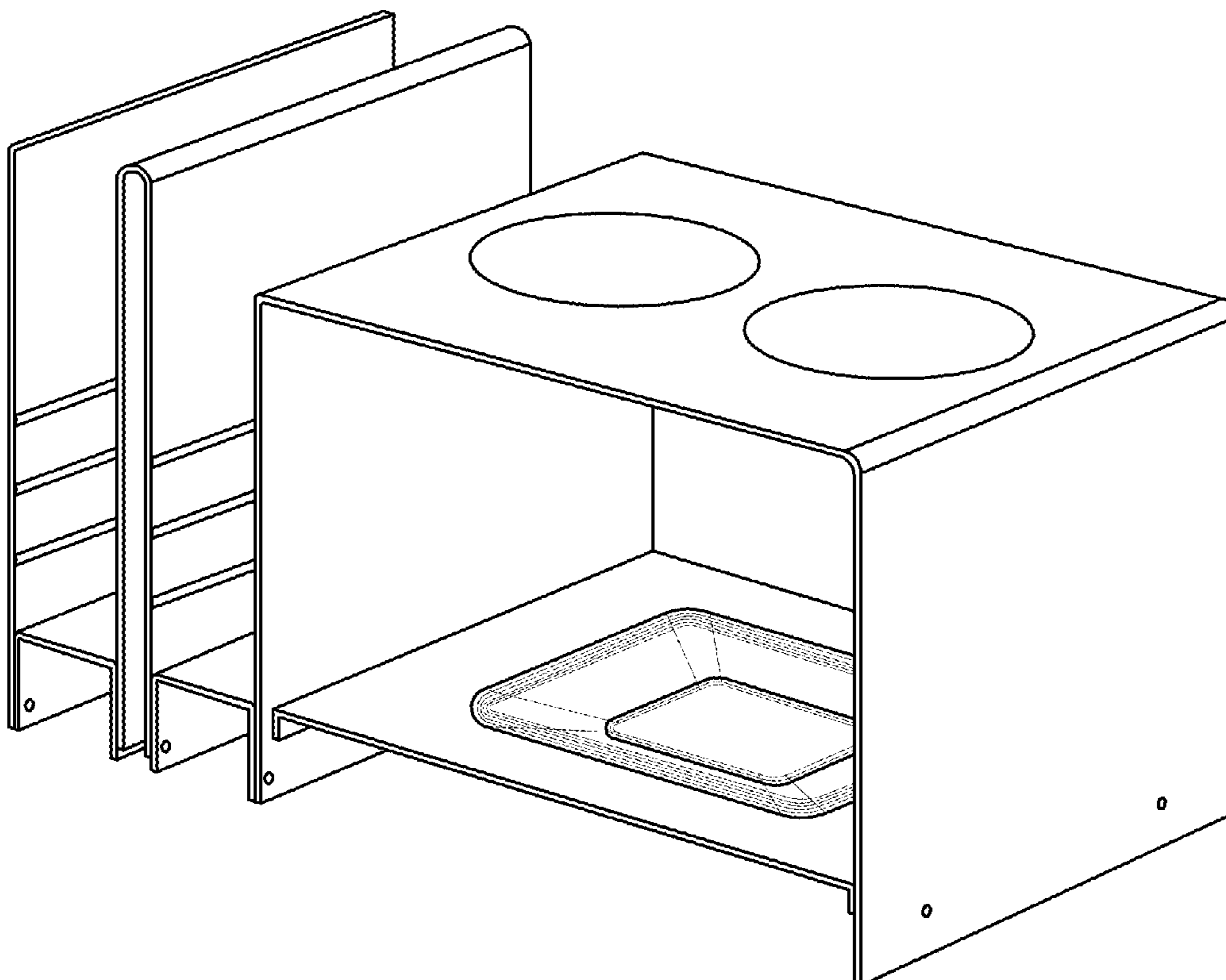
FIG. 1 is a perspective view of egg and toast tray, showing my new design;
 FIG. 2 is a left side view of egg and toast tray of FIG. 1;
 FIG. 3 is a right side view of egg and toast tray of FIG. 1;
 FIG. 4 is a front view of egg and toast tray of FIG. 1;
 FIG. 5 is a back view of egg and toast tray of FIG. 1;
 FIG. 6 is a top view of egg and toast tray of FIG. 1; and,
 FIG. 7 is a bottom view of egg and toast tray of FIG. 1.

1 Claim, 7 Drawing Sheets

(56) **References Cited**

U.S. PATENT DOCUMENTS

1,867,993 A *	7/1932	Tuttle	B26B 29/063
				83/762
D133,824 S *	9/1942	Young	D7/611
D210,613 S *	3/1968	Moore	F25D 25/00
				D7/611
D268,072 S *	3/1983	Boggs	D12/419
D276,444 S *	11/1984	Battle	D19/75
D289,247 S *	4/1987	Wang	D6/406.6



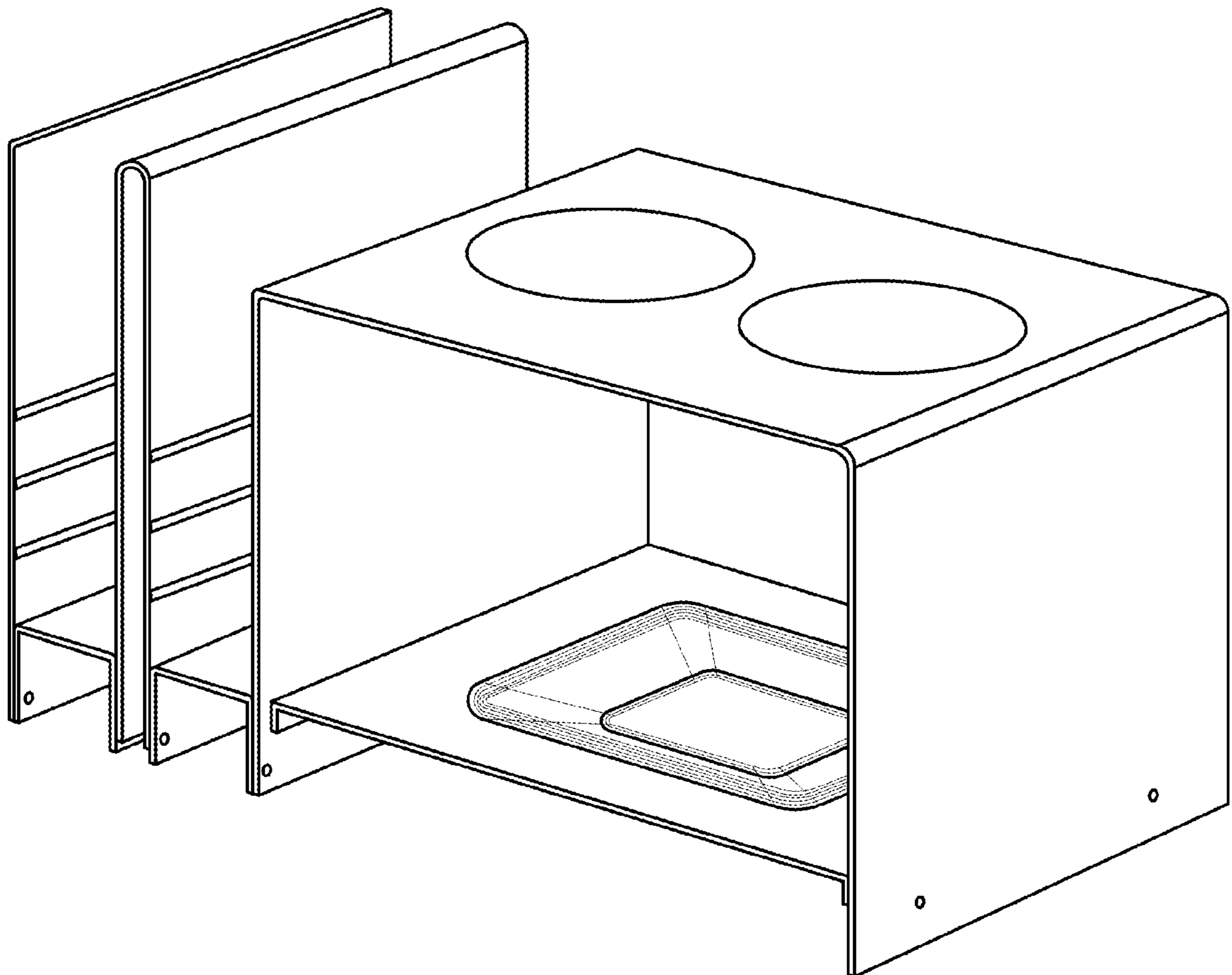


FIG. 1

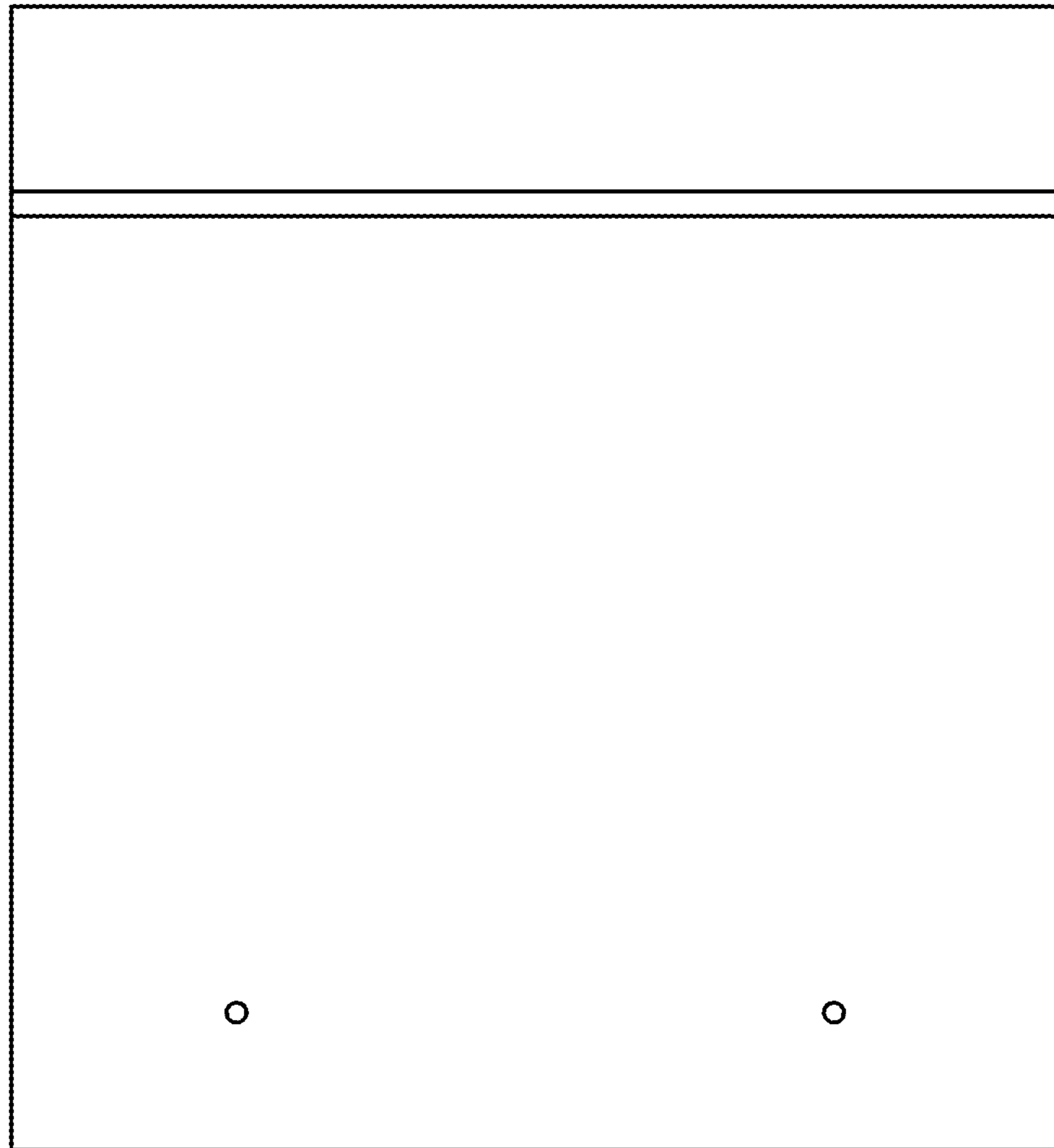


FIG. 2

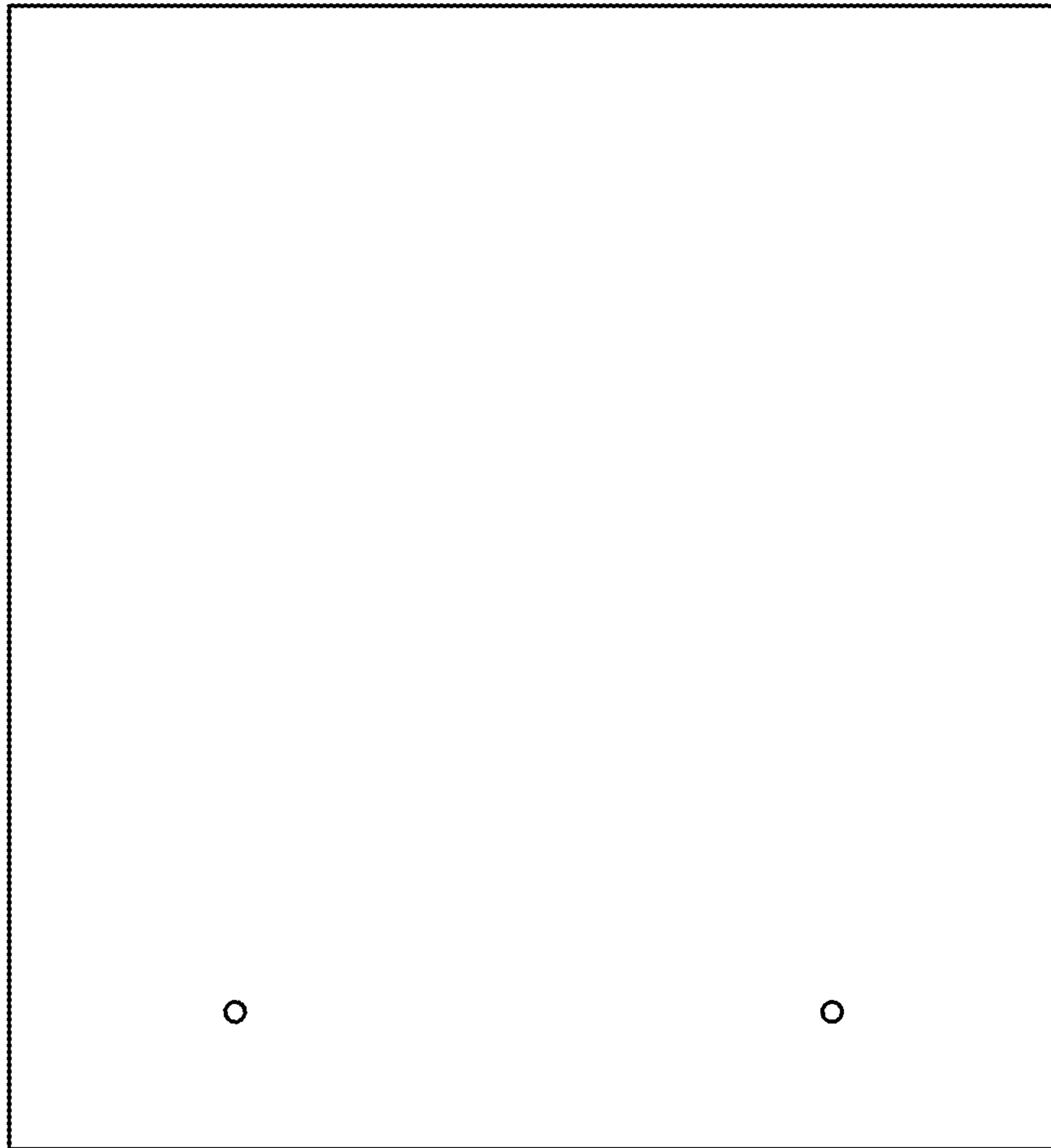


FIG. 3

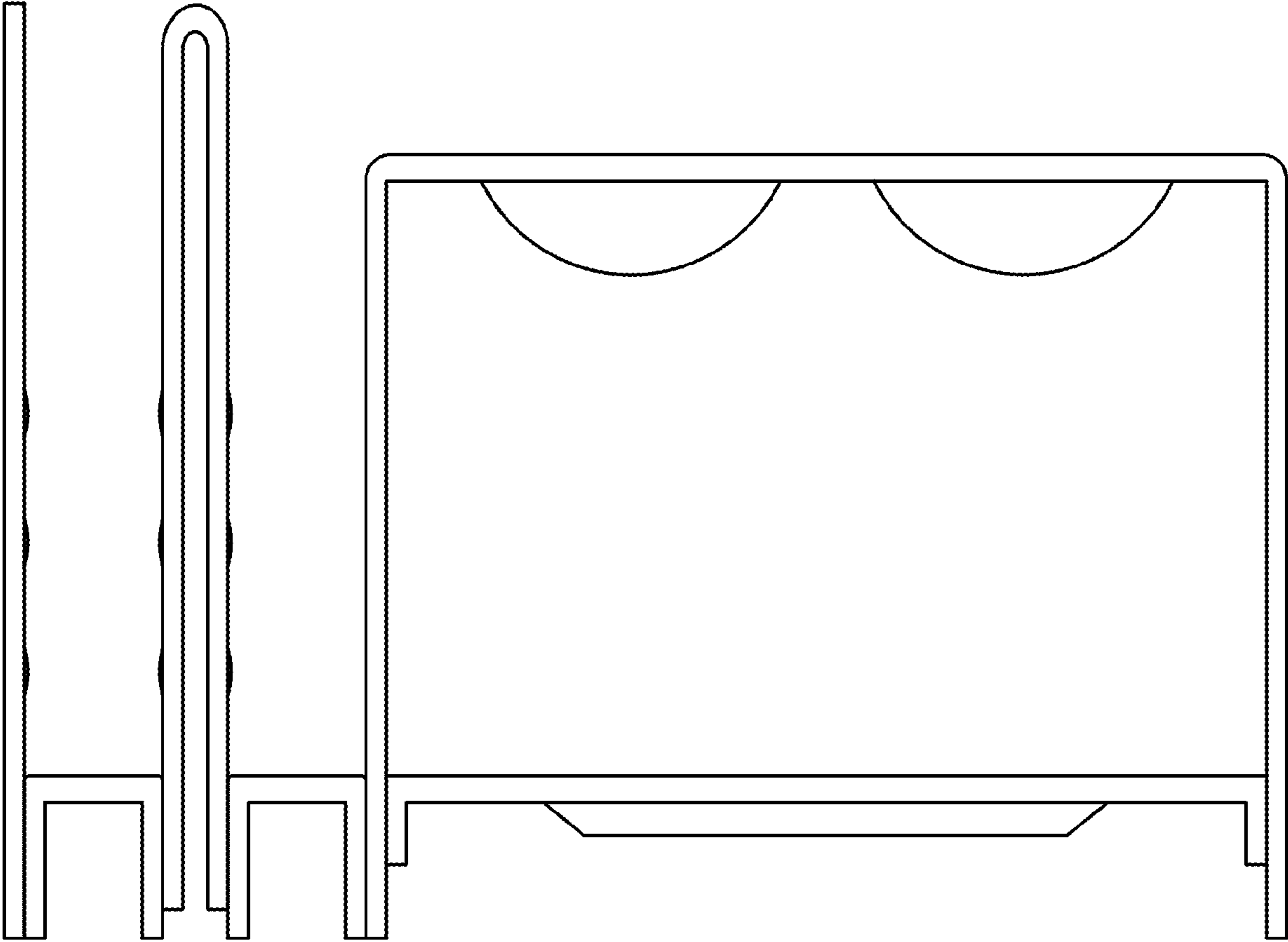


FIG. 4

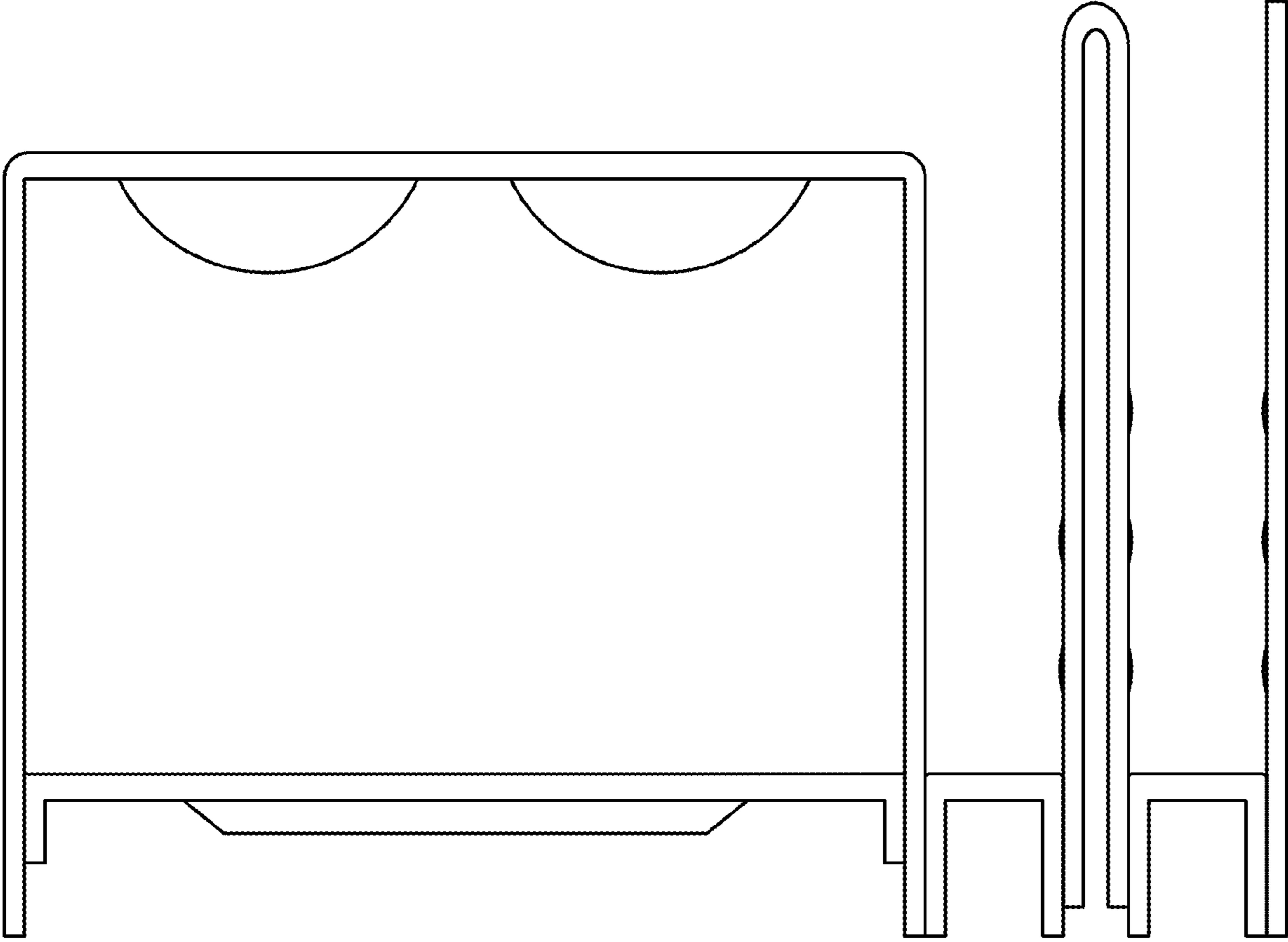


FIG. 5

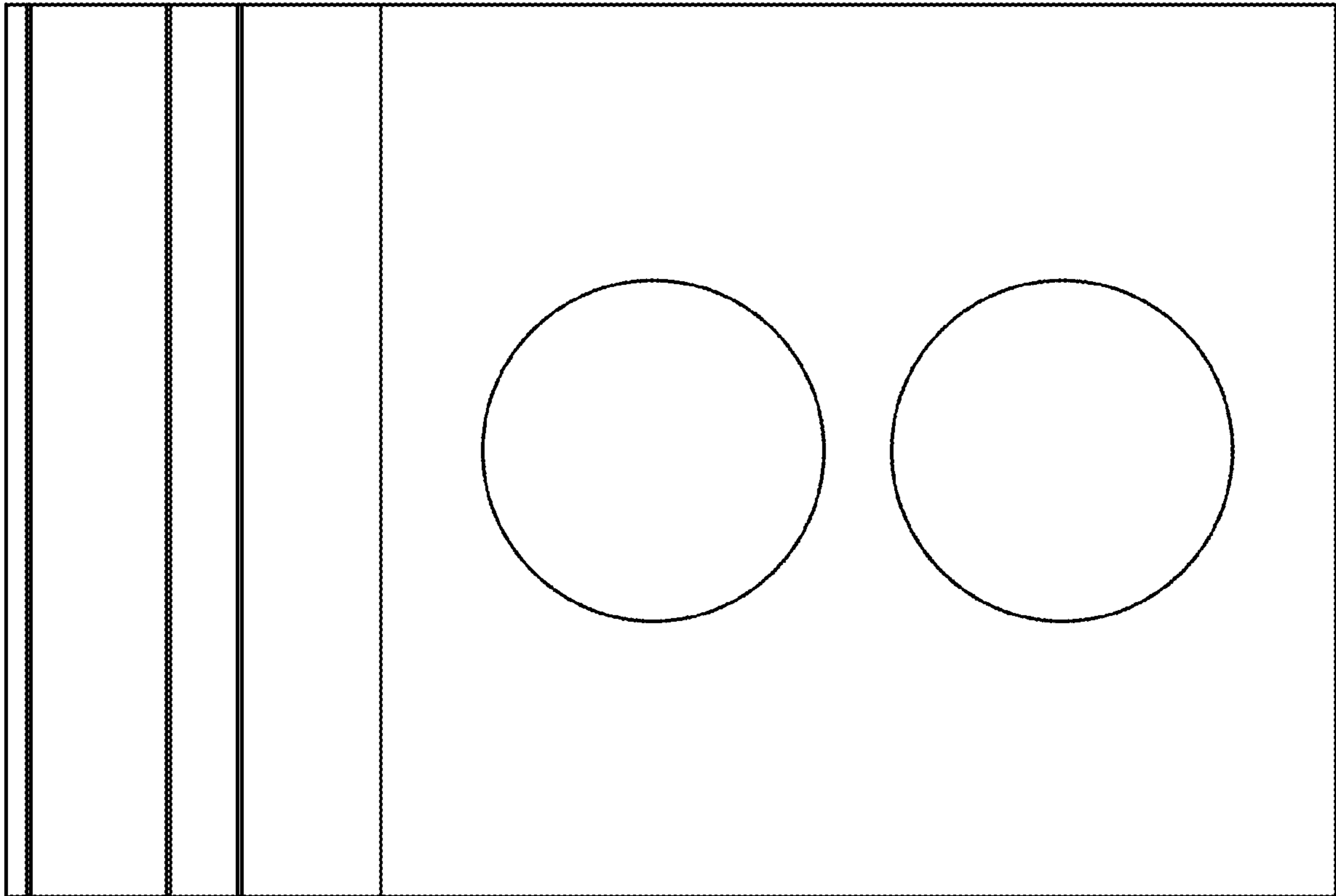


FIG. 6

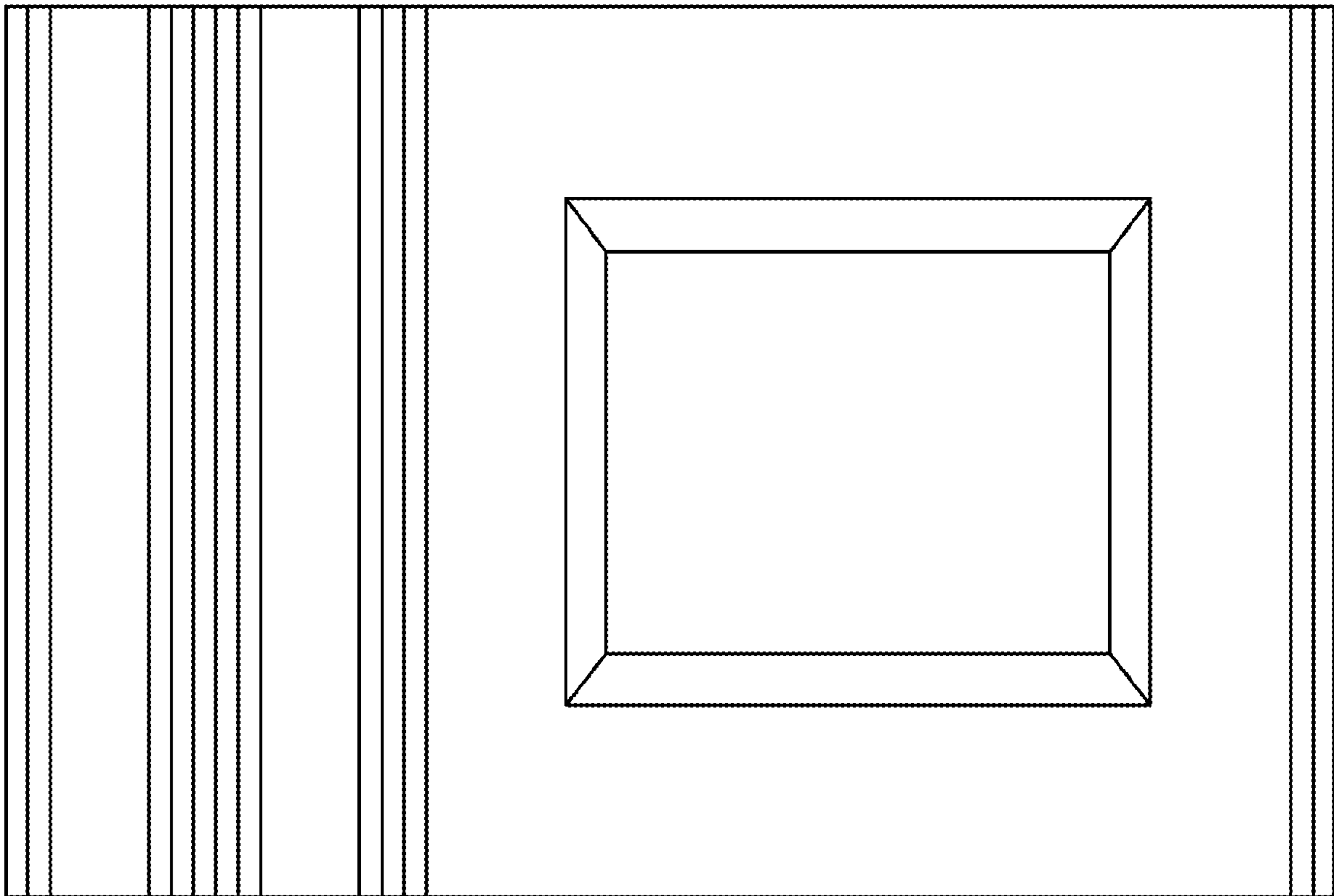


FIG. 7