



US00D947613S

(12) **United States Design Patent**
Wahl

(10) **Patent No.:** **US D947,613 S**

(45) **Date of Patent:** **** Apr. 5, 2022**

(54) **BEVERAGE CONTAINER**

(71) Applicant: **Pacific Market International, LLC**,
Seattle, WA (US)

(72) Inventor: **Andrew C. F. Wahl**, Seattle, WA (US)

(73) Assignee: **Pacific Market International, LLC**,
Seattle, WA (US)

(**) Term: **15 Years**

(21) Appl. No.: **29/704,953**

(22) Filed: **Sep. 9, 2019**

(51) **LOC (13) Cl.** **07-01**

(52) **U.S. Cl.**
USPC **D7/511; D7/536**

(58) **Field of Classification Search**
USPC D7/300, 300.2, 301, 305, 319, 392,
D7/392.1, 396.2, 396.3, 413, 500-505,
(Continued)

(56) **References Cited**

U.S. PATENT DOCUMENTS

166,350 A * 8/1875 Dodge A47G 19/2205
220/738
2,474,913 A * 7/1949 Propst A47G 23/0266
294/31.2

(Continued)

FOREIGN PATENT DOCUMENTS

CN 302228821 * 12/2012
CN 304193691 7/2017

(Continued)

OTHER PUBLICATIONS

PreechaTH, "Cans and Jug made of tin stock photo," Feb. 2, 2016,
iStock, www.istockphoto.com/photo/cans-and-jug-made-of-tin-gm506830702-84406939 (Year: 2016).*

(Continued)

Primary Examiner — Shannon W Morgan

Assistant Examiner — Arva P Adams

(74) *Attorney, Agent, or Firm* — George C. Rondeau, Jr.;
Davis Wright Tremaine LLP

(57) **CLAIM**

The ornamental design for a beverage container, as shown
and described.

DESCRIPTION

FIG. 1 is a top perspective view of a first embodiment of a
beverage container showing my new design.

FIG. 2 is a bottom perspective view thereof.

FIG. 3 is a left side elevational view thereof.

FIG. 4 is a front elevational view thereof.

FIG. 5 is a rear elevational view thereof.

FIG. 6 is a right side elevational view thereof.

FIG. 7 is a top plan view thereof.

FIG. 8 is a bottom plan view thereof.

FIG. 9 is a top perspective view of a second embodiment
thereof.

FIG. 10 is a bottom perspective view thereof.

FIG. 11 is a left side elevational view thereof.

FIG. 12 is a front elevational view thereof.

FIG. 13 is a rear elevational view thereof.

FIG. 14 is a right side elevational view thereof.

FIG. 15 is a top plan view thereof.

FIG. 16 is a bottom plan view thereof.

FIG. 17 is a top perspective view of a third embodiment
thereof.

FIG. 18 is a bottom perspective view thereof.

FIG. 19 is a left side elevational view thereof.

FIG. 20 is a front elevational view thereof.

FIG. 21 is a rear elevational view thereof.

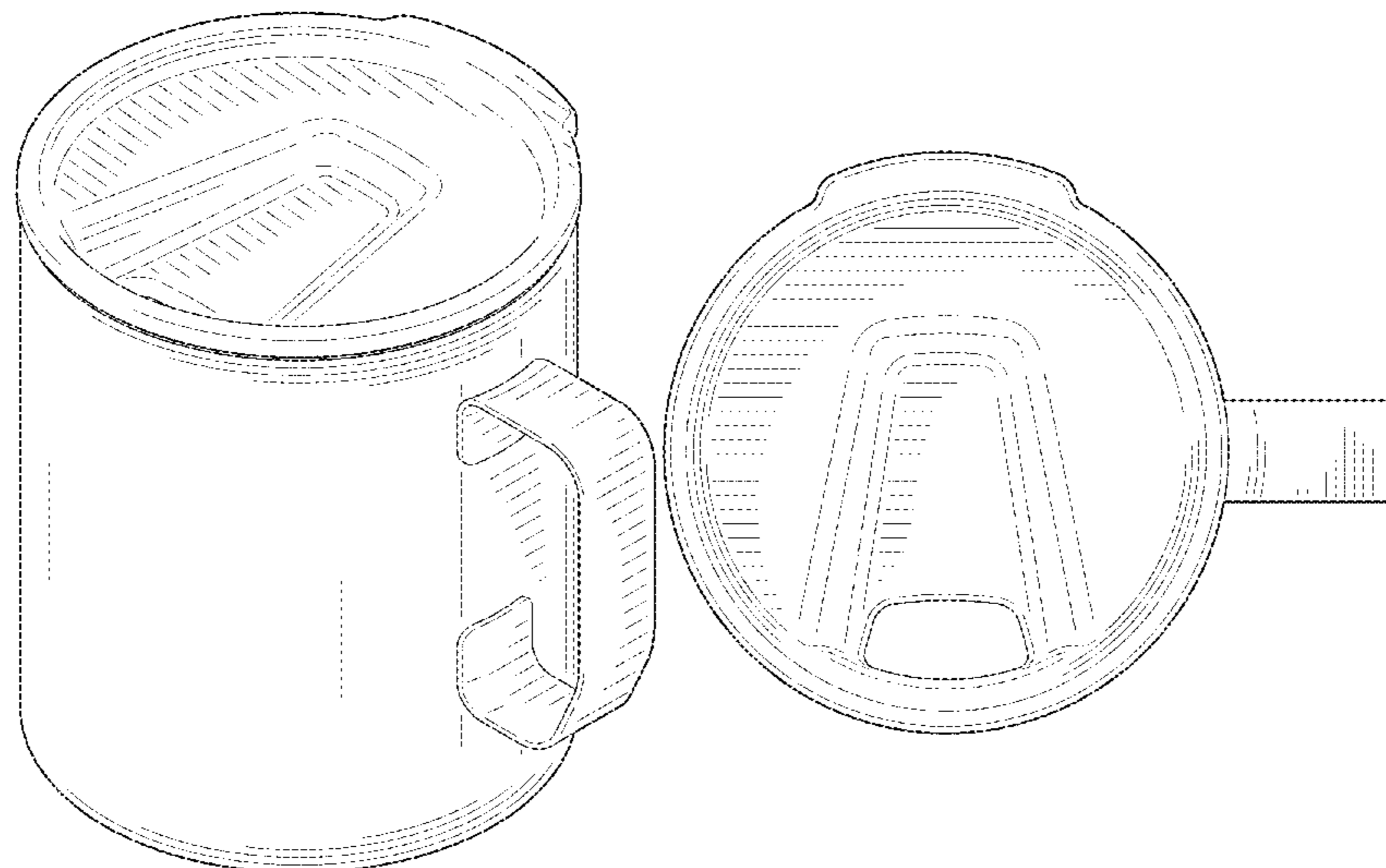
FIG. 22 is a right side elevational view thereof.

FIG. 23 is a top plan view thereof; and,

FIG. 24 is a bottom plan view thereof.

The broken lines depict portions of the beverage container
that form no part of the claimed design.

1 Claim, 21 Drawing Sheets



(58) **Field of Classification Search**

USPC D7/507, 509–516, 519, 520, 522–525,
D7/528, 529, 531–533, 536, 537, 539,
D7/543, 549, 608, 619.2, 620, 623, 624.1,
D7/624.2, 624.3, 636, 900; D9/436, 447,
D9/516; D23/212; D24/197, 224
CPC A47G 19/22; A47G 19/2205; A47G
19/2211; A47G 19/2222; A47G 19/2227;
A47G 19/2261; A47G 19/2266; A47G
19/2272; A47G 19/2288; A47G 21/18;
A47G 21/184; A47G 21/185; A47G
23/0216; A47G 23/0258; A47G 23/0241;
A47J 41/0077; A47J 41/0088; A47J
43/042; B65D 51/245; B65D 51/265;
B65D 51/28; B65D 77/0493; B65D
81/3865

See application file for complete search history.

D856,069 S	8/2019	Barber	
D857,443 S	8/2019	Hill	
D861,415 S	10/2019	Seiders et al.	
D880,941 S	4/2020	Silsby et al.	
D882,343 S *	4/2020	Rane	D7/536
D884,425 S	5/2020	Burns et al.	
D885,834 S *	6/2020	Pawluskiewicz	D7/507
D886,514 S	6/2020	Kander	
D890,573 S *	7/2020	Jacobsen	B44D 3/123 D7/510
D899,862 S	10/2020	Rane et al.	
D911,778 S	3/2021	Jacobsen	
D921,433 S	6/2021	Gronkowski	
D923,408 S	6/2021	Hamilton	
2016/0150901 A1 *	6/2016	Chang	A47G 19/2288 222/146.6
2018/0206660 A1	7/2018	Heiman	
2018/0310766 A1	11/2018	Lapsker	

(56)

References Cited

U.S. PATENT DOCUMENTS

2,493,751 A *	1/1950	Davis	B44D 3/123 294/33
2,587,237 A *	2/1952	Sinaiko	A47G 19/22 220/606
D239,754 S	5/1976	Yoder	
D257,524 S *	11/1980	Heinrich	D7/536
D264,537 S *	5/1982	Myodo	D7/536
D290,325 S *	6/1987	Ritman	D7/536
D306,111 S *	2/1990	Fleming	D7/536
4,984,707 A *	1/1991	Fierthaler	A47G 19/2205 200/217
5,570,797 A *	11/1996	Yeh	A47G 19/2272 215/228
D404,241 S *	1/1999	Bagley	D7/513
D465,132 S *	11/2002	Janky	D7/510
D476,528 S *	7/2003	Janky	D7/510
D604,103 S	11/2009	Alviar et al.	
D608,140 S *	1/2010	Gilbert	D7/396.2
D609,054 S	2/2010	Gilbert	
D617,608 S	6/2010	Yang et al.	
D623,475 S	9/2010	Aarnoudse et al.	
D644,060 S	8/2011	Komeiji	
D651,853 S	1/2012	Eyal	
D654,762 S	2/2012	Gilbert	
D660,081 S	5/2012	Gilbert	
D696,900 S	1/2014	George et al.	
D707,492 S	6/2014	George et al.	
D717,115 S	11/2014	Lane et al.	
D721,540 S	1/2015	Grcic	
D741,655 S	10/2015	Whelan et al.	
D746,156 S	12/2015	Bondioli et al.	
D751,341 S *	3/2016	Seiders	D7/396.2
D756,712 S *	5/2016	Kushner	D7/536
D780,533 S	3/2017	Seiders et al.	
D787,888 S	5/2017	Joseph	
D789,737 S	6/2017	Eyal	
D795,643 S	8/2017	Barlow	
D804,905 S	12/2017	Seiders et al.	
D814,243 S *	4/2018	Pape	D7/536
D819,402 S	6/2018	Silsby et al.	
D820,044 S	6/2018	Jenkins et al.	
D821,137 S	6/2018	Boroski	
D822,427 S	7/2018	Sorensen et al.	
D822,498 S	7/2018	Sutcliffe	
D828,093 S	9/2018	Chitayat et al.	
D832,050 S *	10/2018	Diener	D7/510
D836,395 S	12/2018	Seiders et al.	
D839,049 S *	1/2019	Seiders	D7/510
D842,028 S *	3/2019	Melanson	D7/392.1
D842,038 S *	3/2019	Seiders	D7/510
D844,382 S	4/2019	Seiders et al.	
D844,383 S	4/2019	Seiders et al.	
D850,205 S	6/2019	Hotell	

FOREIGN PATENT DOCUMENTS

CN	304669731	*	6/2018
CN	304721039		7/2018
CN	304891096	*	11/2018
CN	305030847		2/2019
CN	305225453		6/2019
CN	305248328	*	7/2019
EP	0030070870001		5/2016
EP	0030070870003		5/2016
EP	0026185870001		7/2016
GB	9006354742-0001	*	3/2019
GB	9007706007		2/2020
GB	9007706007-0005	*	2/2020
GB	90077060070011		2/2020
JP	2020003446	A	1/2020
JP	2020003447	A	1/2020
KR	300816192.0000	*	9/2015
KR	300845319		3/2016
KR	300847955		4/2016
KR	300946782		3/2018
KR	3010111130000		6/2019
KR	3010990540002		3/2021
MY	1334201010001		3/2013

OTHER PUBLICATIONS

MiiR, “MiiR Camp Cup Vacuum Insulated Tumbler with Lid,” Jun. 23, 2017, Amazon.com, www.amazon.ca/dp/B0728969NR (Year: 2017).*

Valtcan, “Valtcan Titanium Mug,” Nov. 3, 2017, Amazon.com, www.amazon.com/Valtcan-Titanium-500ml-Handle-Camping/dp/B07WP83NLB (Year: 2017).*

Pewtersociety.org, Photograph, Dec. 2018, Pewtersociety.org, www.pewtersociety.org/sites/default/files/images/2018-12/19thcmugs.jpg (Year: 2018).*

Civago, “CIVAGO Stainless Steel Coffee Mug Cup with Handle,” Aug. 7, 2019, Amazon.com, www.amazon.com/dp/B07TZ24CQV (Year: 2019).*

XWDIRECT LLC, “6 Pack 16 oz Unbreakable Stainless Steel Camping Coffee Mug Drinking Soup Cup,” Feb. 12, 2019, Amazon.com, www.amazon.com/Tsyware-Unbreakable-Stainless-Camping-Drinking/dp/B07NNZVLR7 (Year: 2019).*

Daniel, “Otterbox Elevation Stainless Steel Wine Tumbler with Lid,” Jun. 25, 2019, Gatgentsin, <https://gadgetsin.com/otterbox-elevation-stainless-steel-wine-tumbler-with-lid.htm> (Year: 2019).*

Art_rich, “Stainless steel, metal cup isolated on white background stock photo,” Sep. 9, 2019, iStock, www.istockphoto.com/photo/stainless-steel-metal-cup-isolated-on-white-background-gm1172004287-324924478 (Year: 2019).*

EcoVessel, “EcoVessel Transit-Kaffeetasse mit Schiebedeckel und ergonomischem Griff,” May 2, 2020, Amazon.de, www.amazon.de/dp/B085NHY2DQ/ (Year: 2020).*

REI, “Stanley: The Stay-Hot Titanium Camp Mug Video,” Sep. 9, 2020, YouTube, www.youtube.com/watch?v=tMzvvalv3pc&list=WL (Year: 2020).*

(56)

References Cited

OTHER PUBLICATIONS

Amazon, "Contigo Vacuum-Insulated Stainless Steel TwistSeal Glaze Travel Mug," Amazon, retrieved from www.amazon.com/Contigo-Vacuum-Insulated-Stainless-TwistSeal-Weather/dp/B01N32WQ8D, Jan. 11, 2017, 2 pages.

Crispy Sports, "Starbucks Reserve Stainless Steel Tumbler," Amazon, retrieved from www.amazon.com/Starbucks-Reserve-Stainless-Steel-Tumbler/dp/BO17TA3S52, Nov. 10, 2015, 2 pages.

EcoVessel, "EcoVessel Perk Vacuum Insulated Coffee Tumbler and Tea Bottle," Amazon.com, www.amazon.com/dp/B06VTT813R, Jul. 12, 2018, 2 pages.

Klean Kanteen, "Introducing our new #TKWide Kanteens on a Little Bouldering Trip Outside of Santa Barbara, CA," Facebook, www.facebook.com/kleankanteen/photos/pcb.10156114841921990/10156114841686990/, May 30, 2019, 1 page.

Off-Road Group, "Stanley Titanium Travel Mug," <https://offroad.md/en/mugs-cups/762-stanley-titanium-travel-mug-14-oz.html>, retrieved Oct. 12, 2021, 1 page.

REI, "Stanley Stay-Hot Titanium Travel Mug Video," YouTube, www.youtube.com/watch?v=-Oh6AMs1Eb4, Sep. 9, 2020, 1 page.

Facebook, "The Glass Dispensary," Facebook Post, www.facebook.com/theglassdispensary/photos/863452694031517, May 9, 2019, 1 page.

Total Tea, "Travel Coffee Mug or Ice Tea Tumbler," Amazon, retrieved from www.amazon.com/Tea-Tumbler-Insulated-Stainless-Guarantee/dp/B01BSVJBQI?th=1, Feb. 13, 2016, 4 pages.

Otterbox, "Otterbox Elevation Tumbler Basic Lid, 10 oz/20 oz," Amazon webpage, https://www.amazon.com/OtterBox-Elevation-Tumbler-Basic-Lid/dp/B00Z7TB44K/ref=sr_1_11?crd=LTA1EU8J6MIC&dchild=1&keywords=otterbox+elevation+tumbler&qid=1602656731&srefix=otterbox+elevation+t%2Caps%2C360&sr=8-11, Date First Available: Apr. 10, 2018 (retrieved Jan. 28, 2020), 9 pages.

4imprint.com, "Koozie Vacuum Insulator Tumbler," 4imprint.com, www.4imprint.com/product_146044/Koozie-Vacuum-Insulator-Tumbler-11-oz, Jan. 2019, 2 pages.

Brumate, "Brumate Imperial Pint," Amazon.com, www.amazon.com/dp/B07NB9TB1Y, Jan. 31, 2019, 4 pages.

Gteller, "Gtell 10oz Lowball Tumbler," Amazon.com, www.amazon.com/Gtell-1-lowball-tumbler-stainless-insulated/dp/B0743CCDKM, Jul. 20, 2017, 2 pages.

Netrush, "MiiR Men's 12oz Camp Cup," Amazon.com, www.amazon.com/dp/B0725PHJ68, Jun. 8, 2017, 2 pages.

OVERLORDInc, "30oz Lid for Yeti Ozark Trails Rocky Mountain and Rtic Tumbler Lid," Amazon.com, www.amazon.com/Trails-Mountain-Tumblers-Friendly-Prestigious/dp/BO1NCS3KT8, Jan. 3, 2017, 2 pages.

Prime Optimization, "RTIC 12 Ounce Tumbler," Reviewed with photo Jun. 25, 2019, Amazon.com, www.amazon.com/RTIC-SYNCHKG122107-Lowball-Tumbler-Black/dp/B06Y61GV6V, Apr. 11, 2017, 3 pages.

Stanley, "Titanium Multi Cup I 10 OZ," Stanley.com, retrieved from www.stanley1913.com/products/titanium-multi-cup-10-oz, Apr. 2, 2021, 2 pages.

* cited by examiner

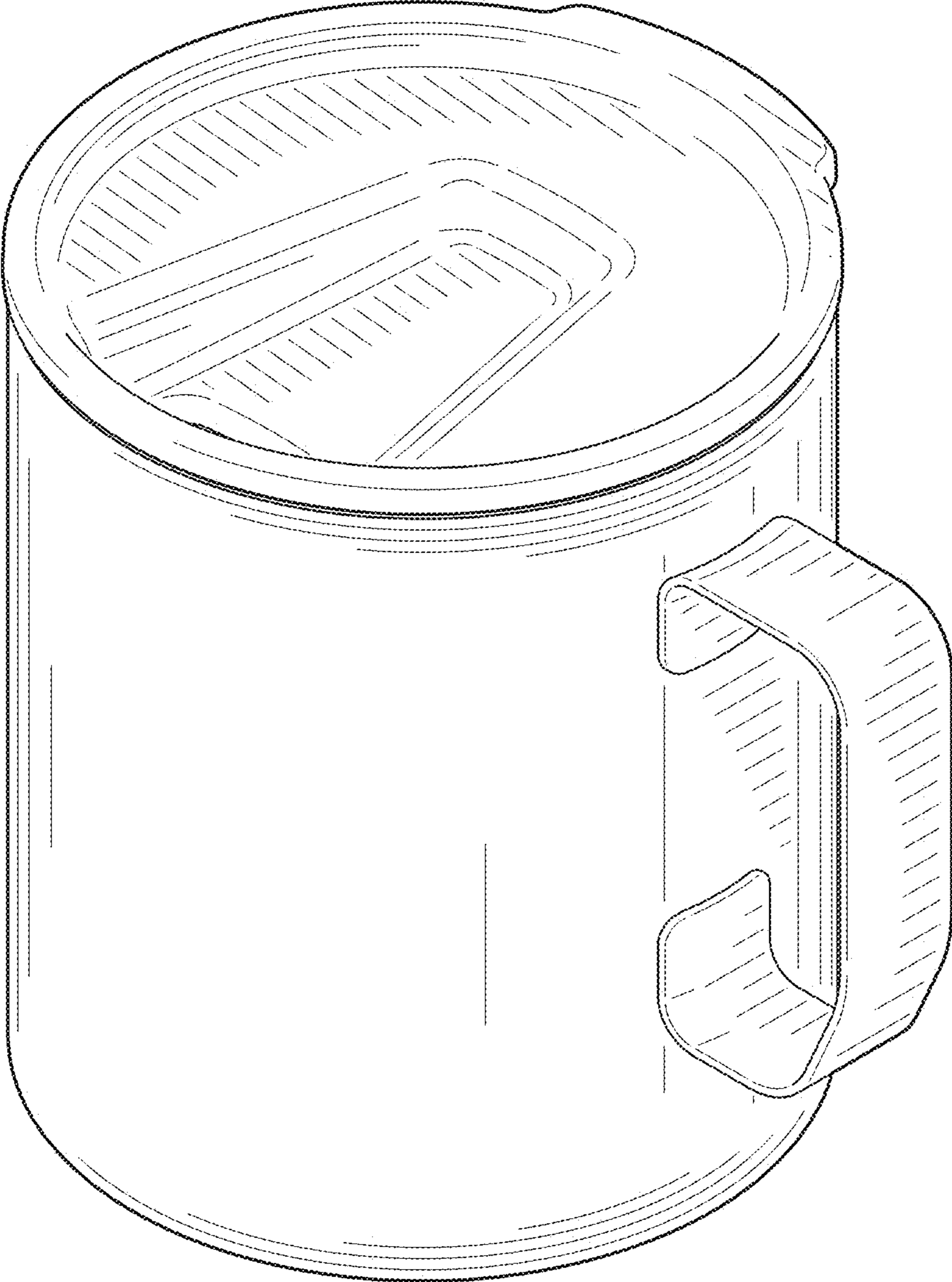


FIG. 1

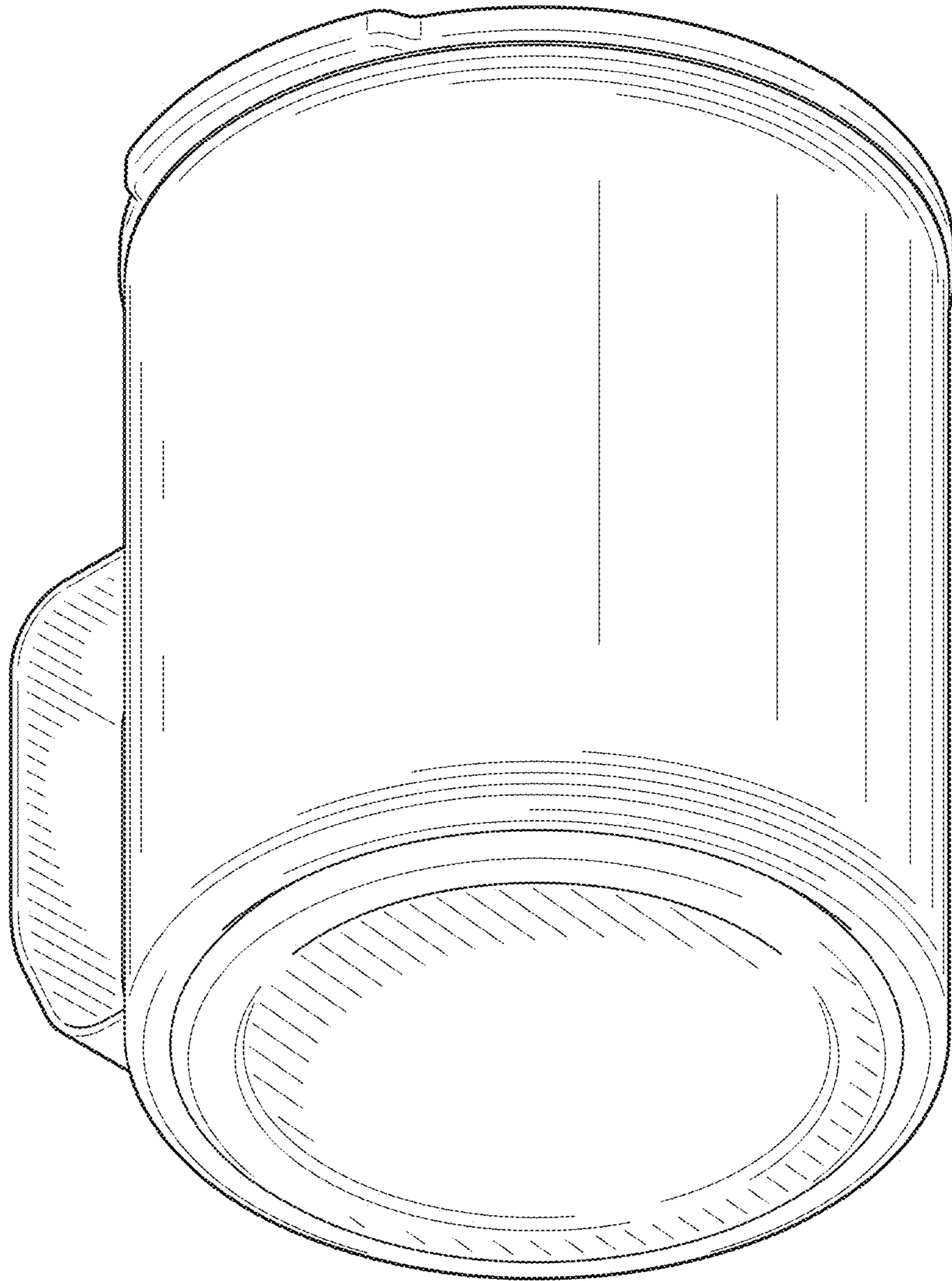


FIG. 2

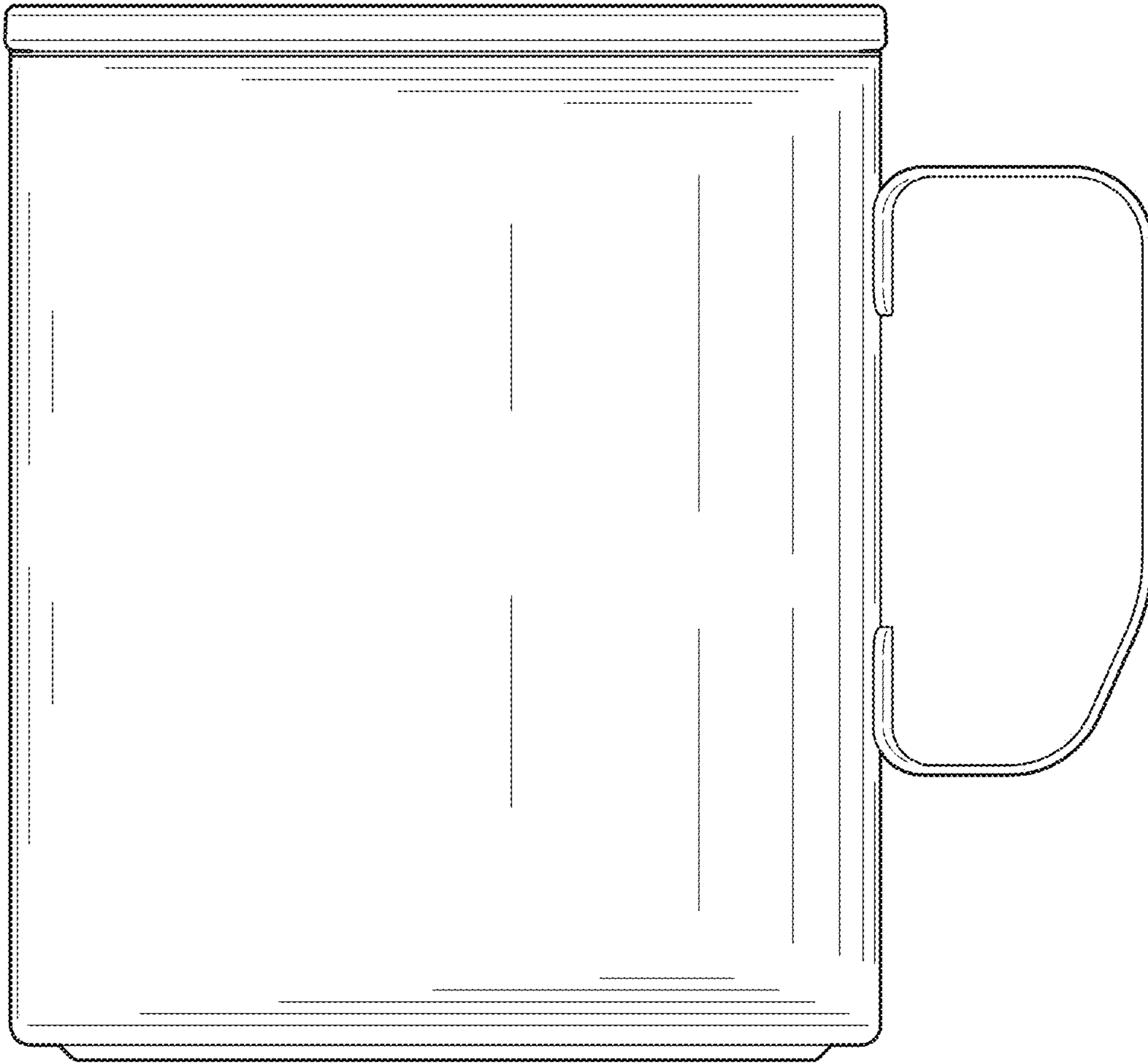


FIG. 3

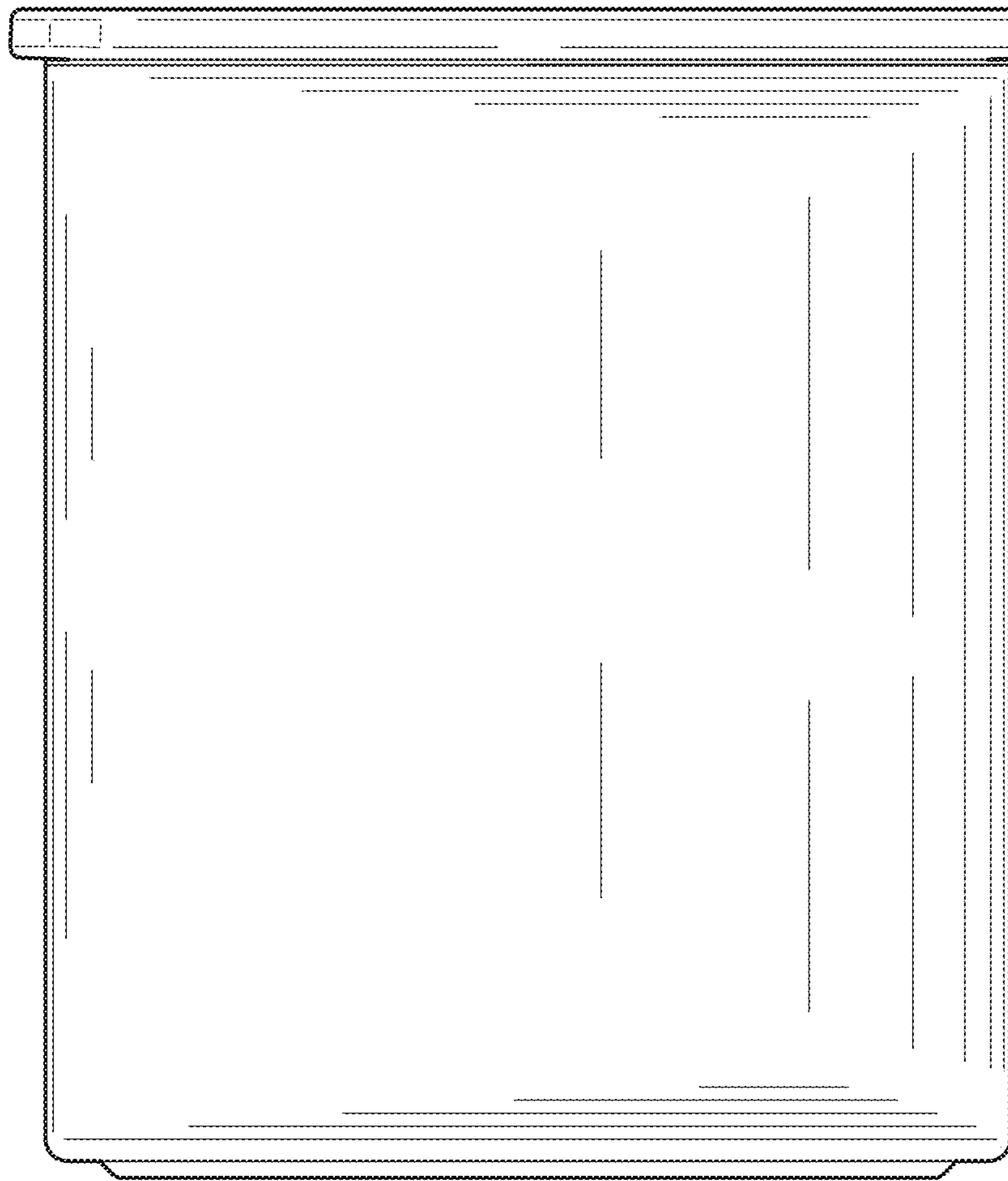


FIG. 4

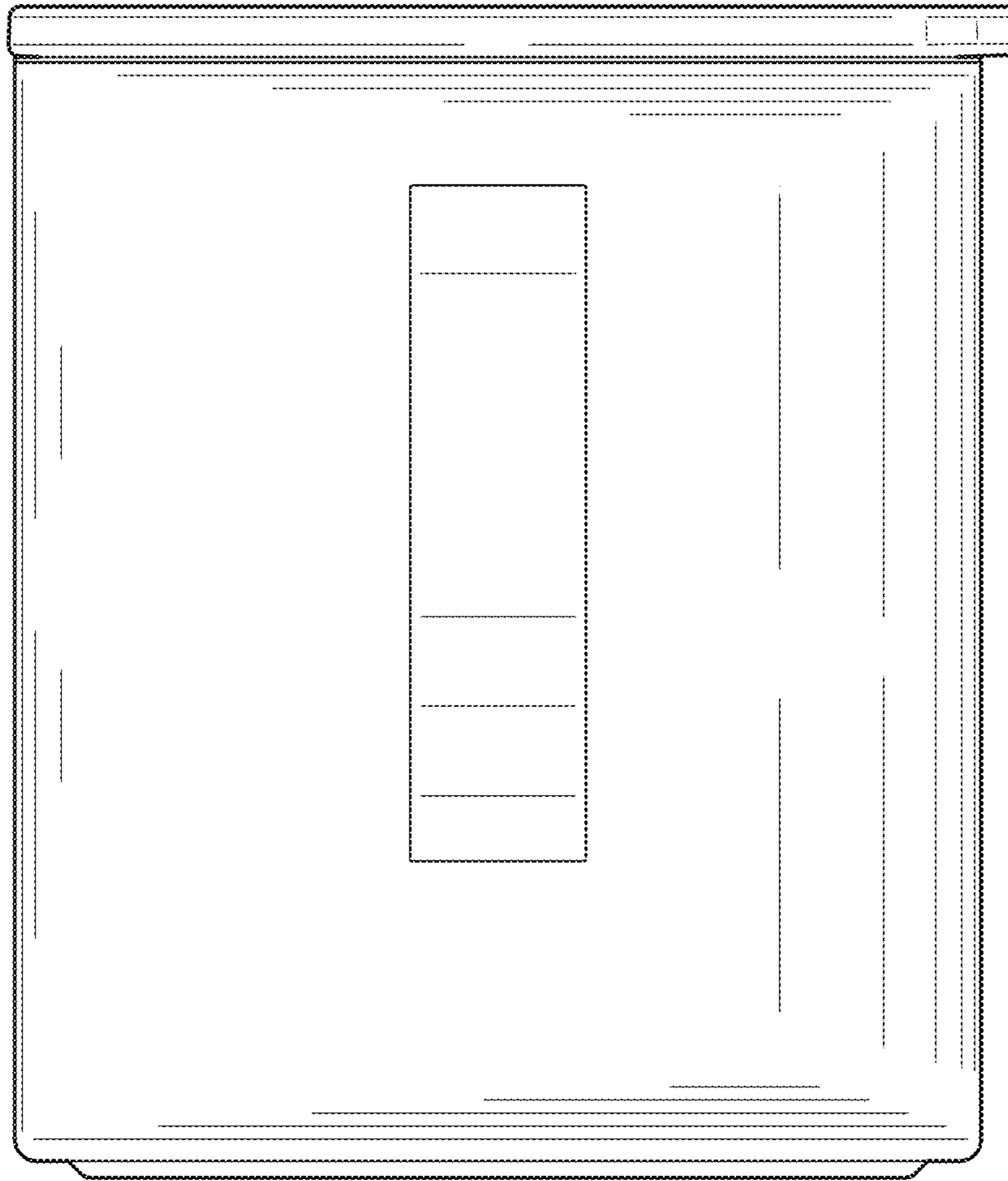


FIG. 5

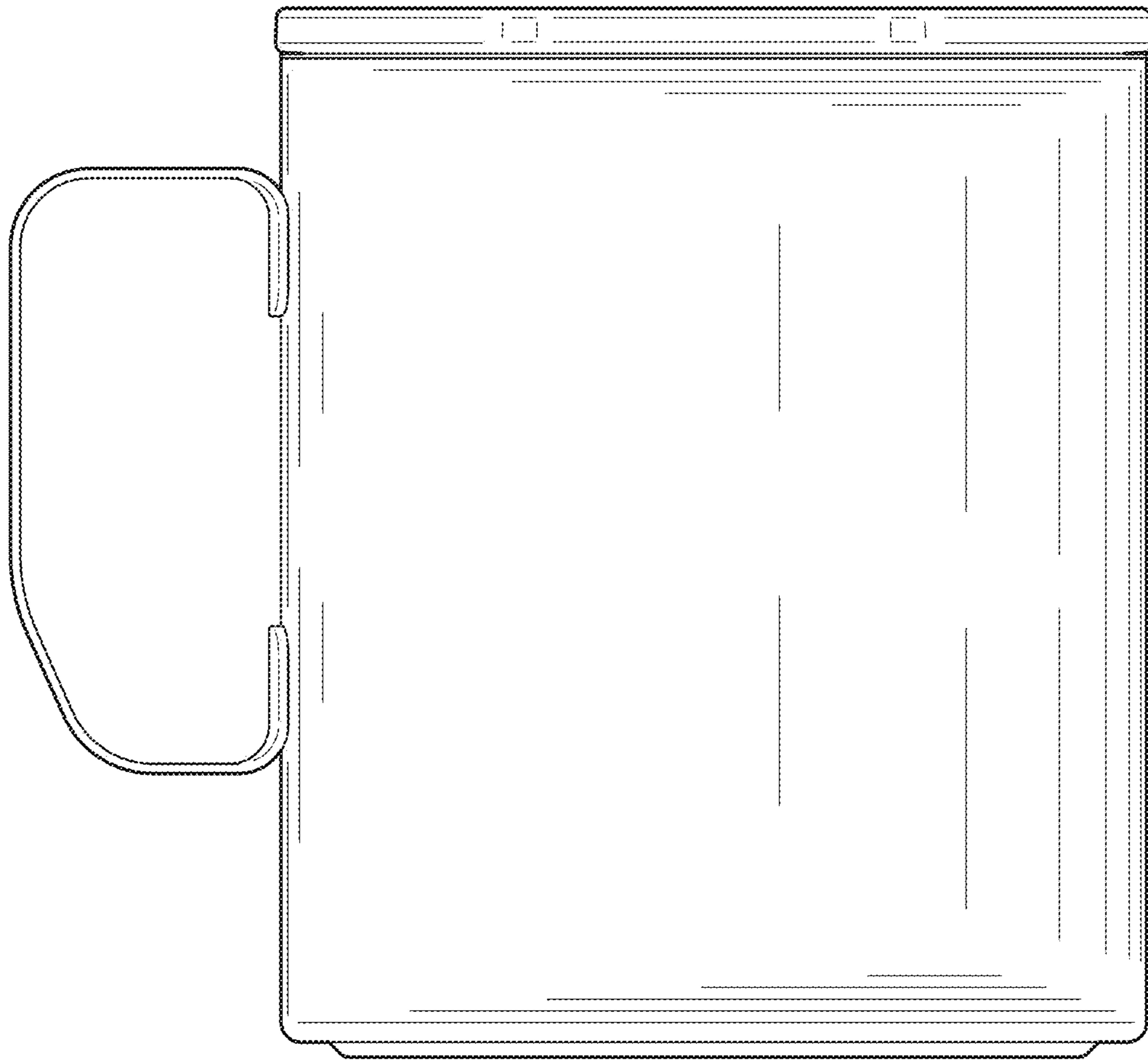


FIG. 6

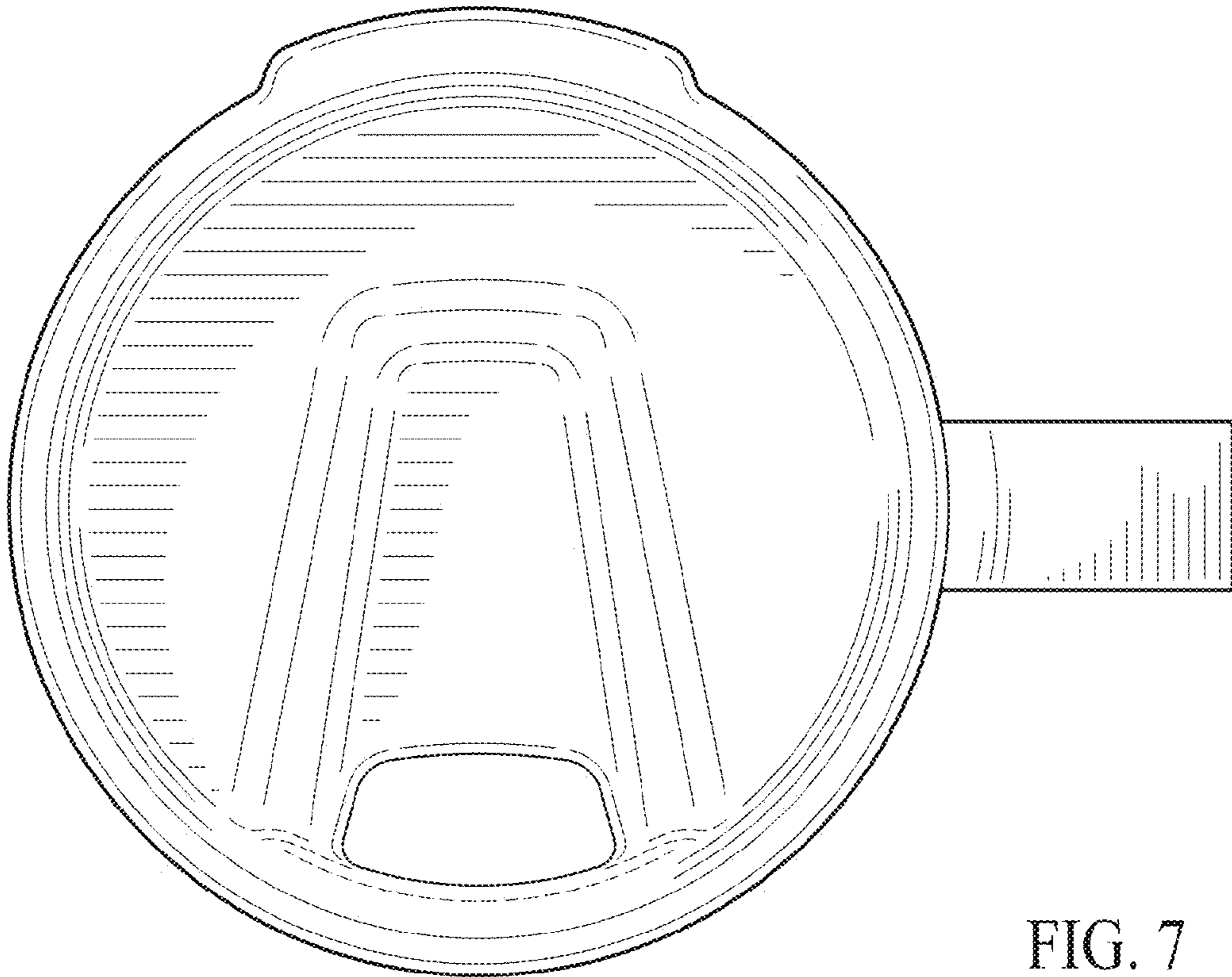


FIG. 7

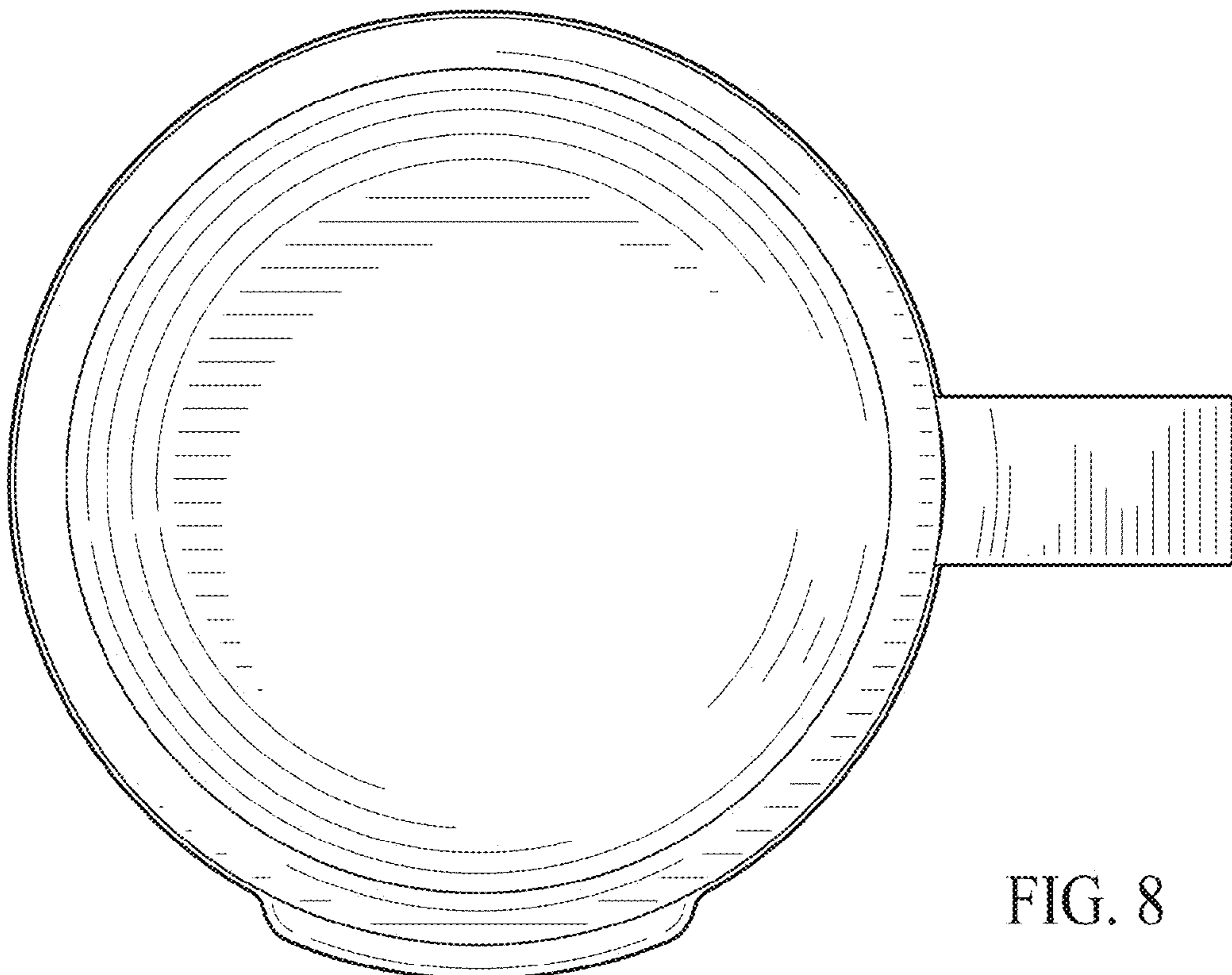


FIG. 8

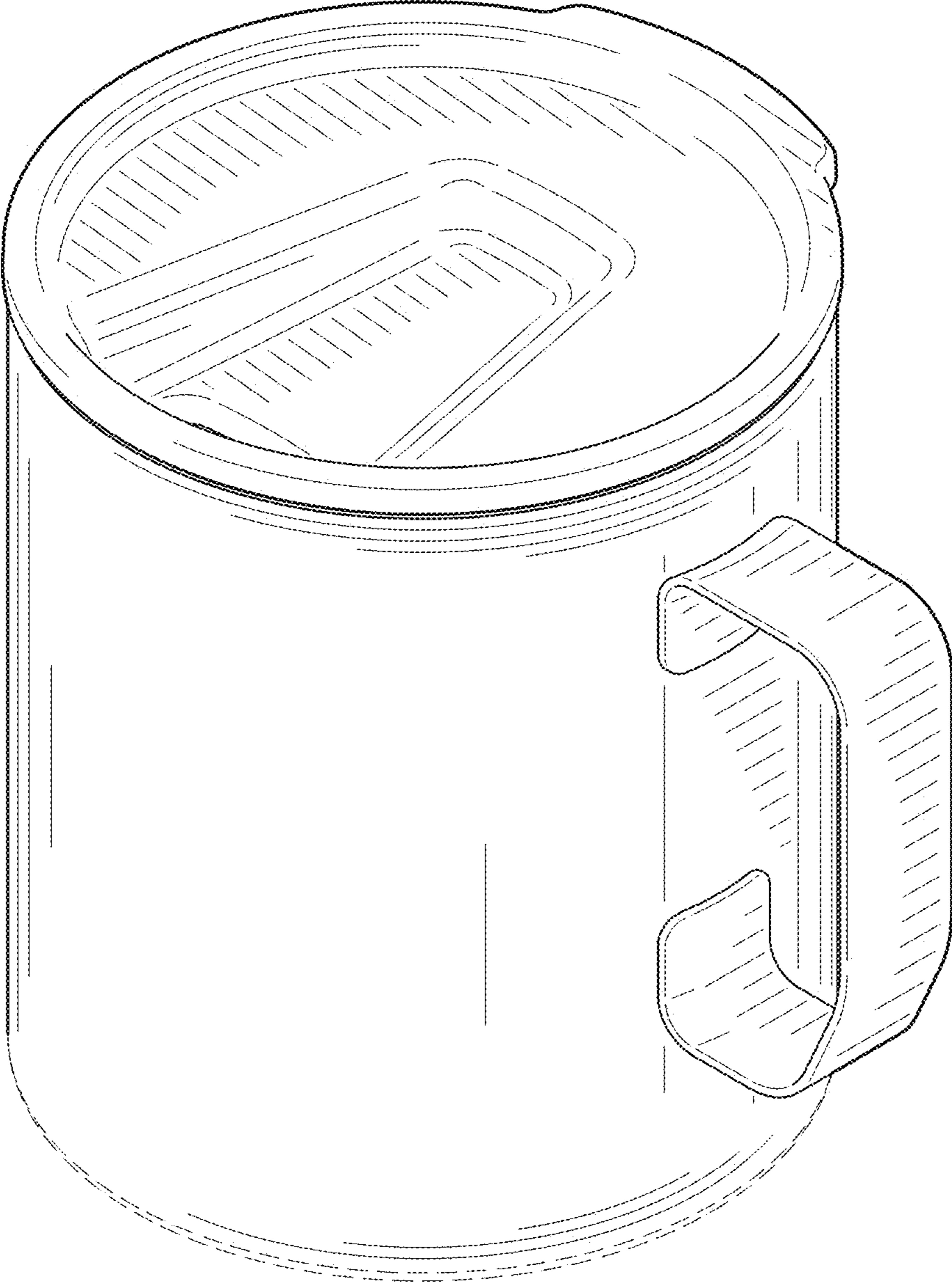


FIG. 9

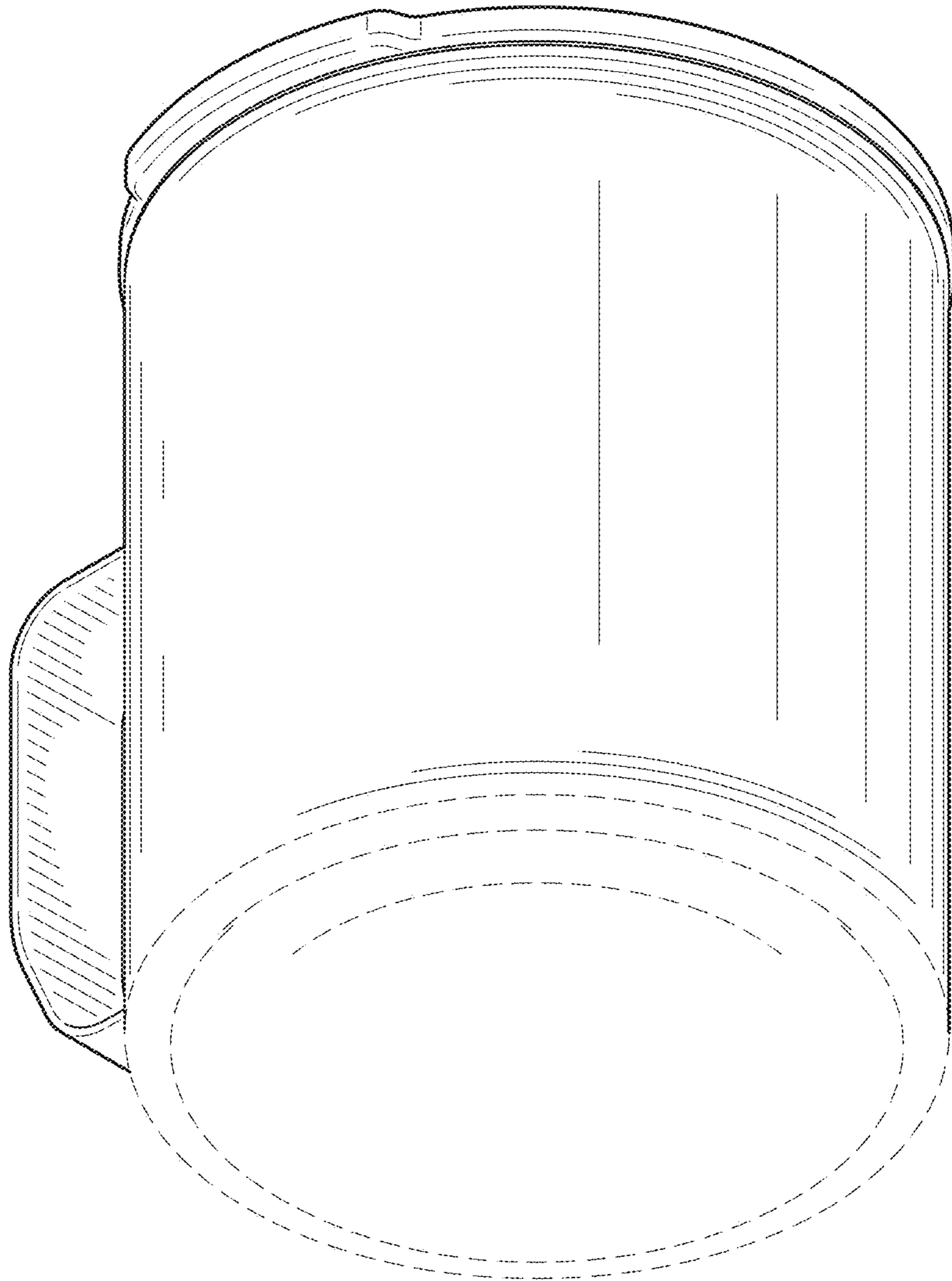


FIG. 10

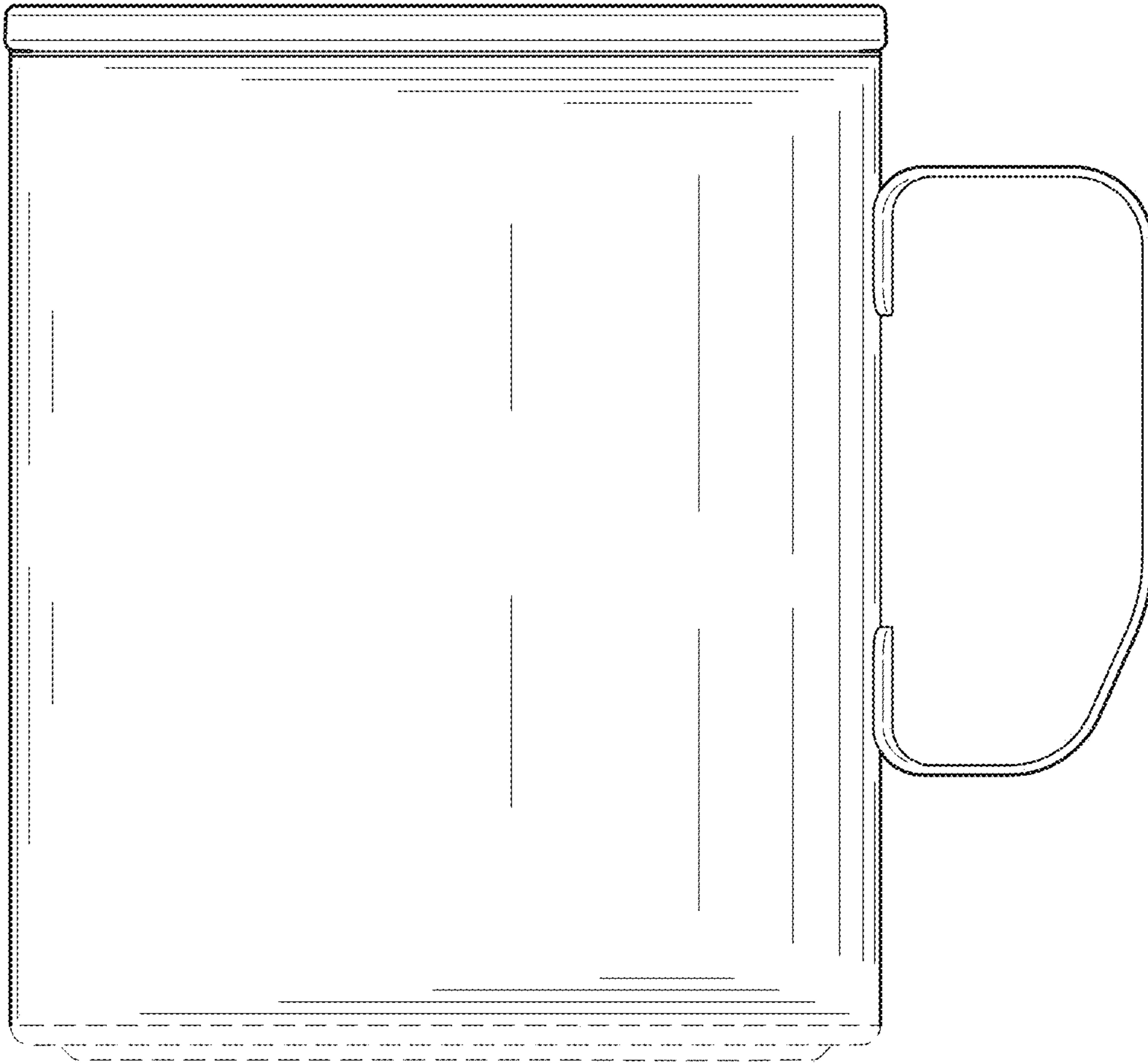


FIG. 11

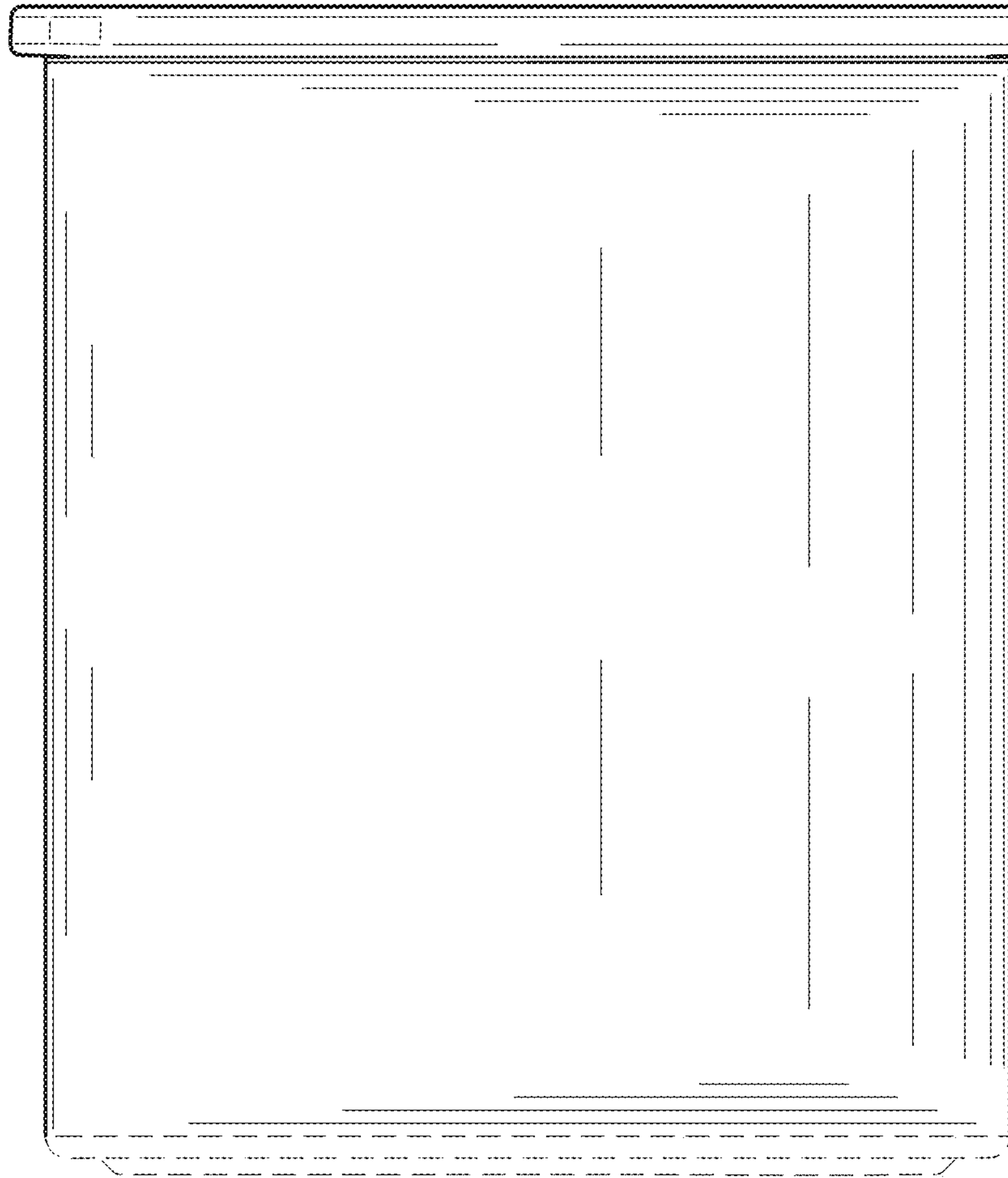


FIG. 12

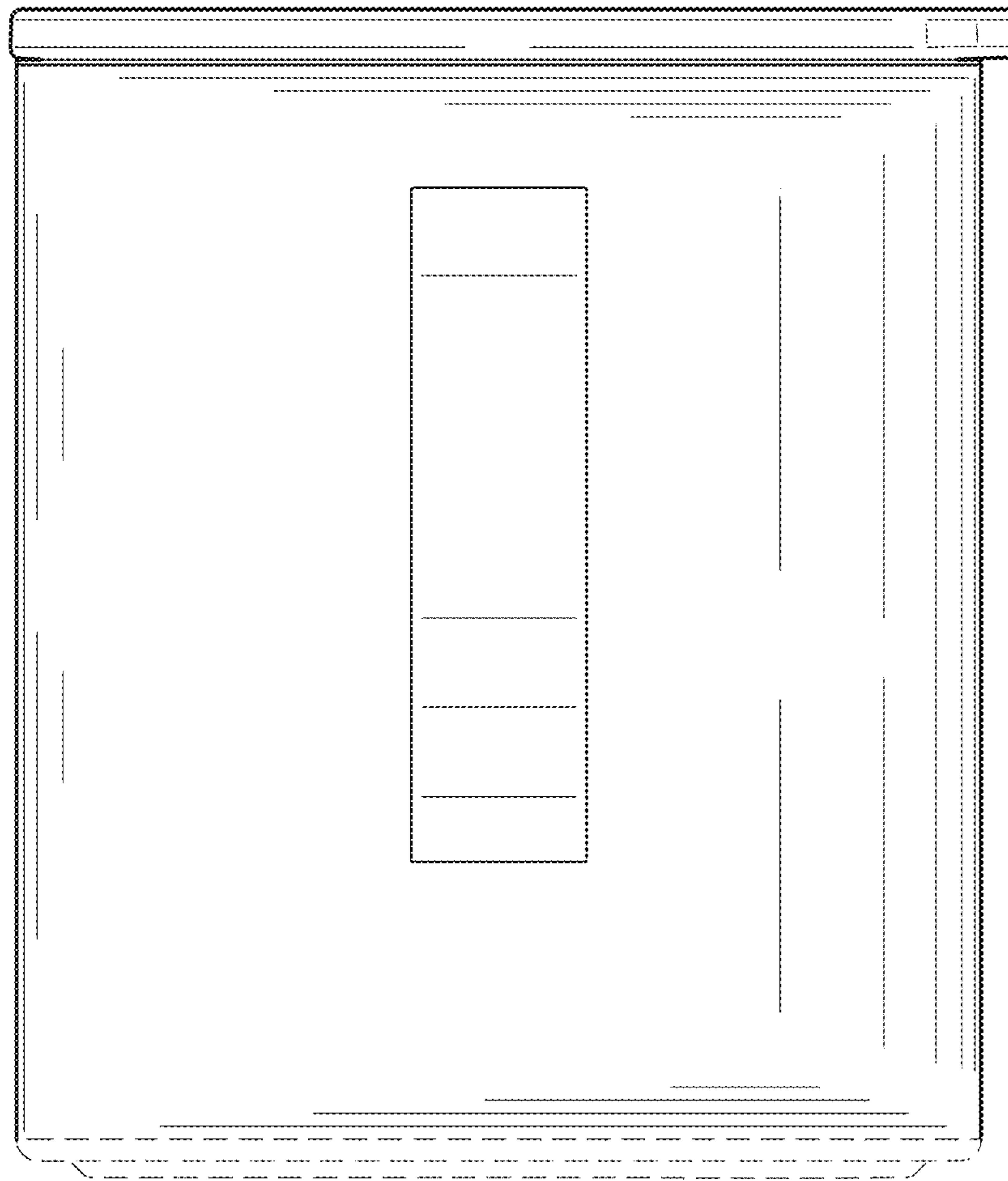


FIG. 13

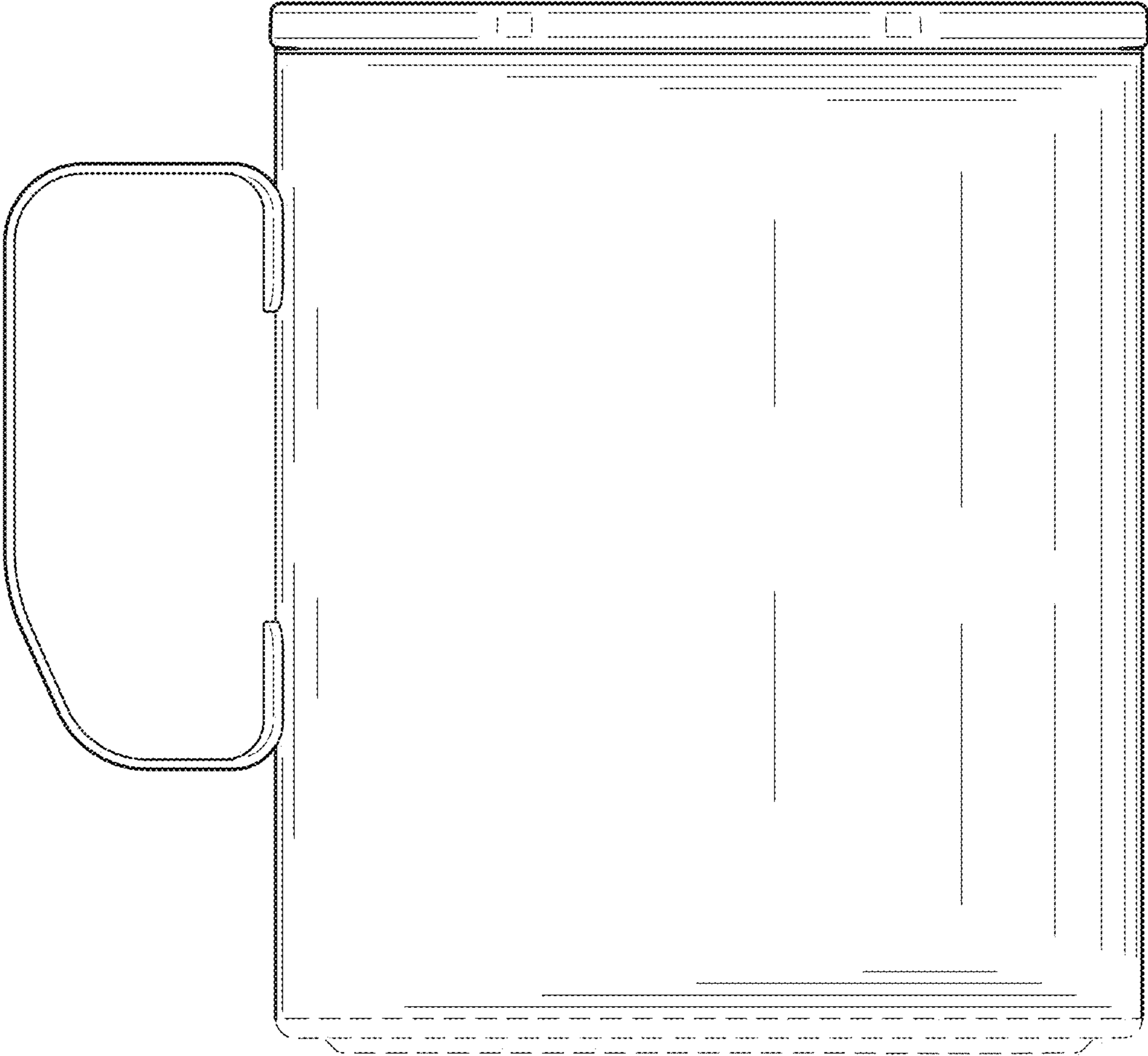


FIG. 14

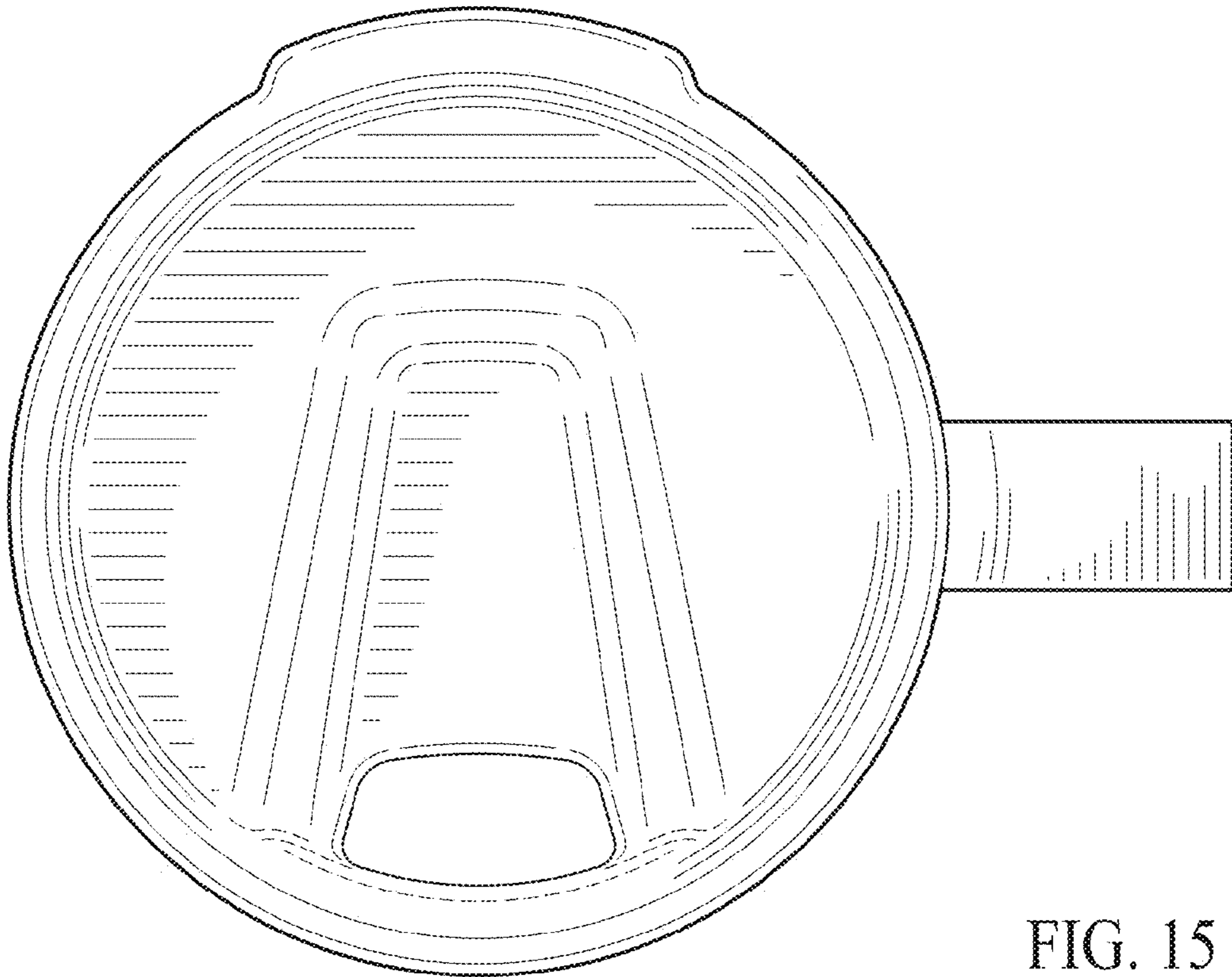


FIG. 15

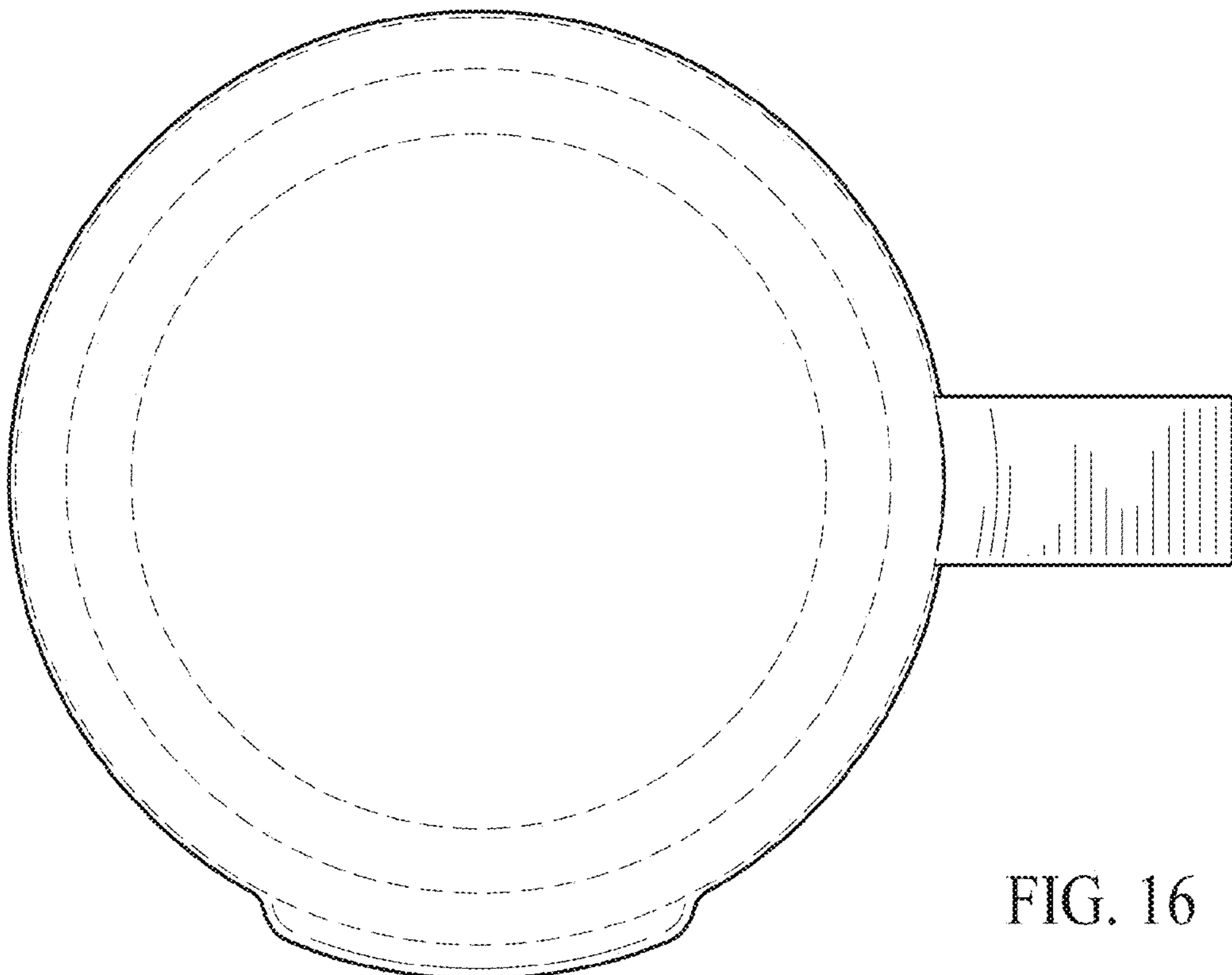


FIG. 16

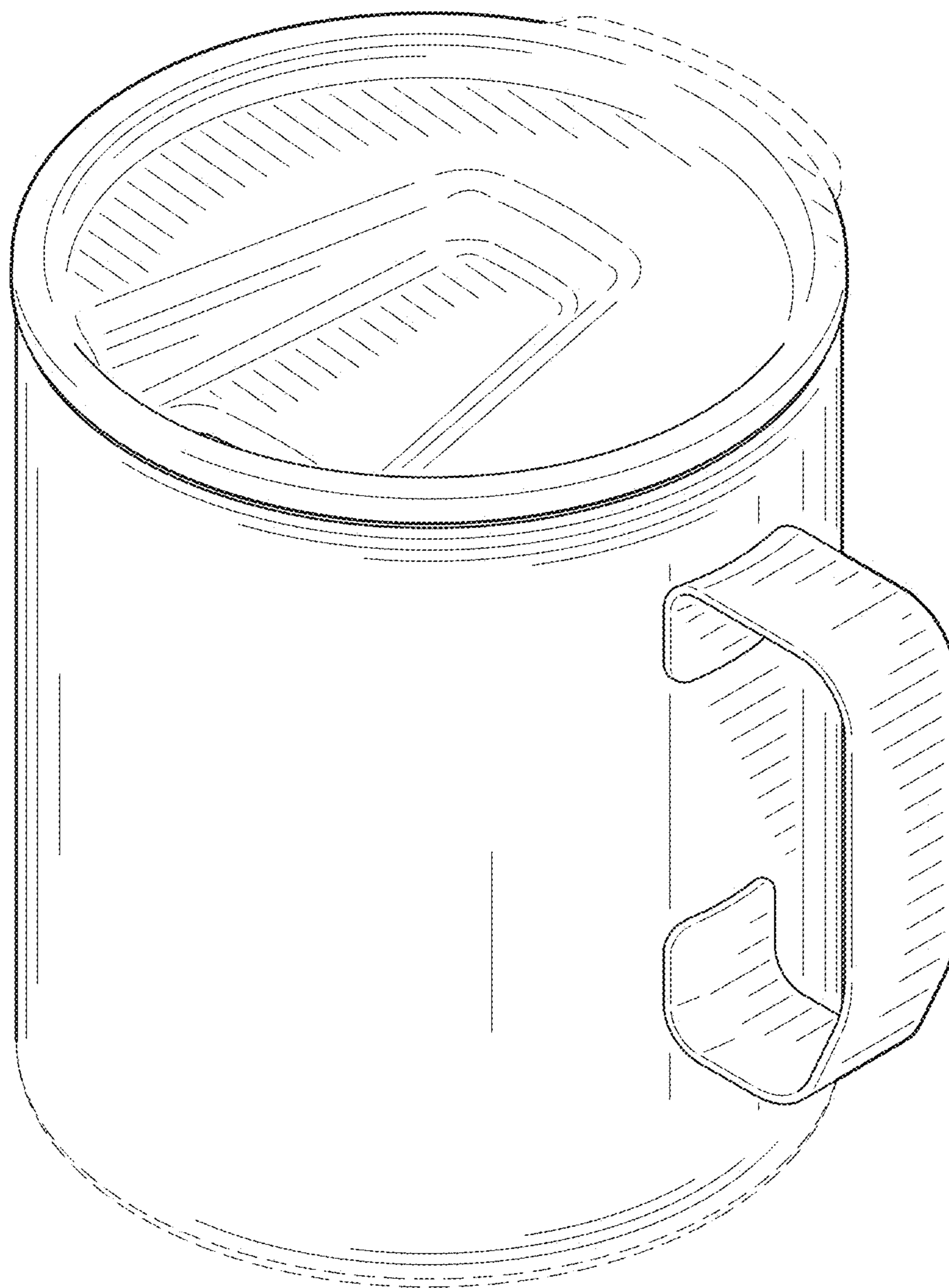


FIG. 17

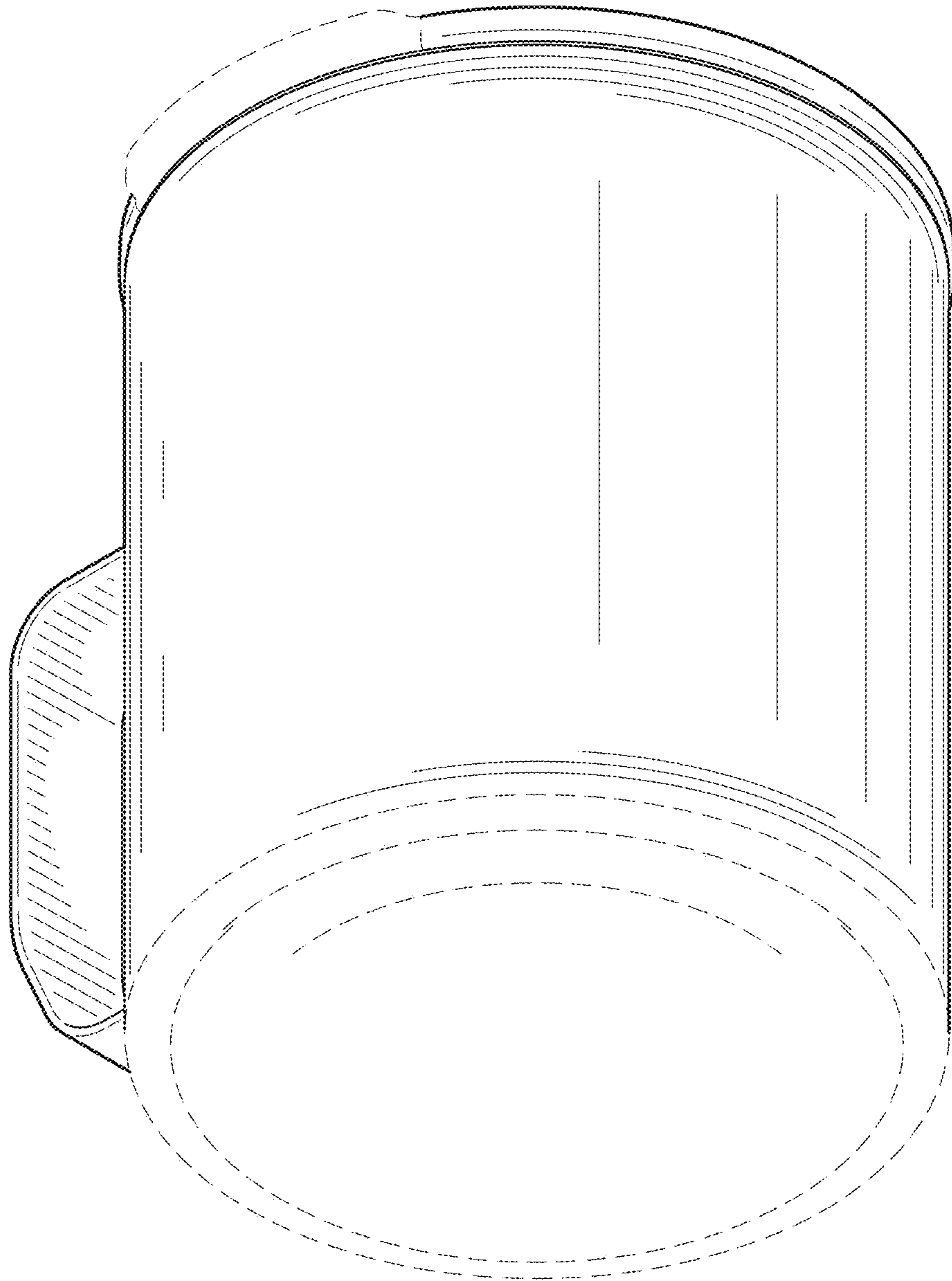


FIG. 18

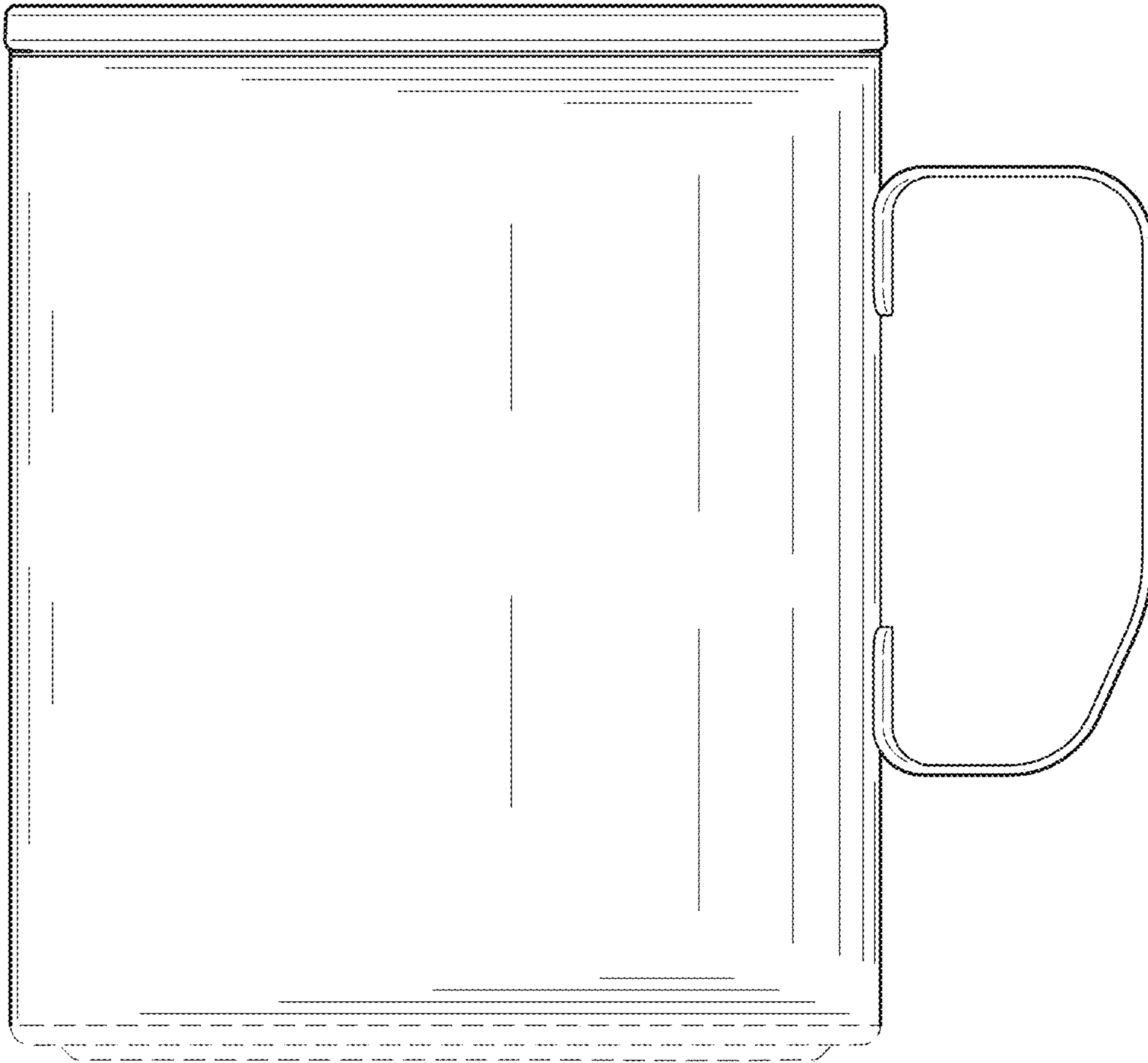


FIG. 19

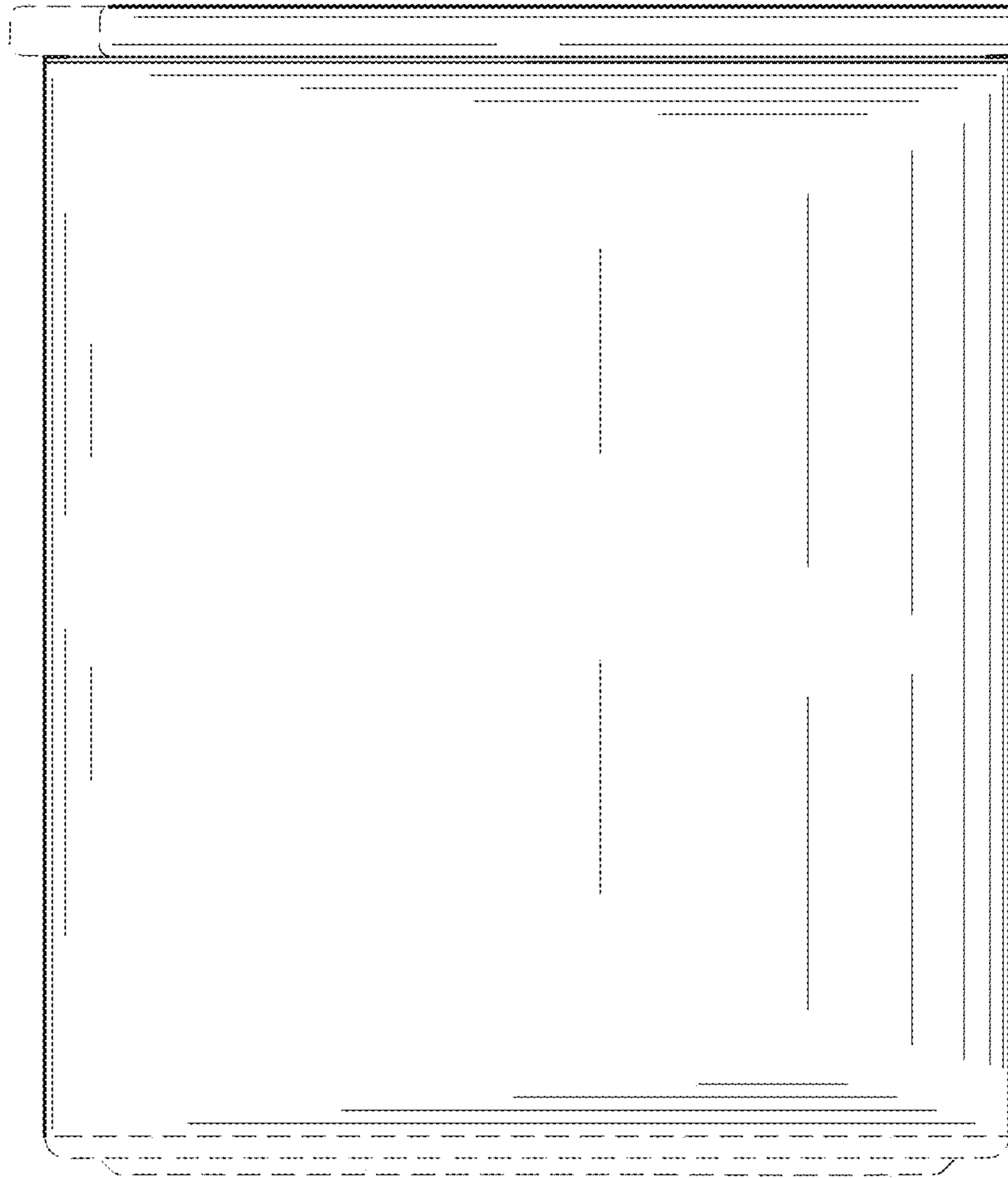


FIG. 20

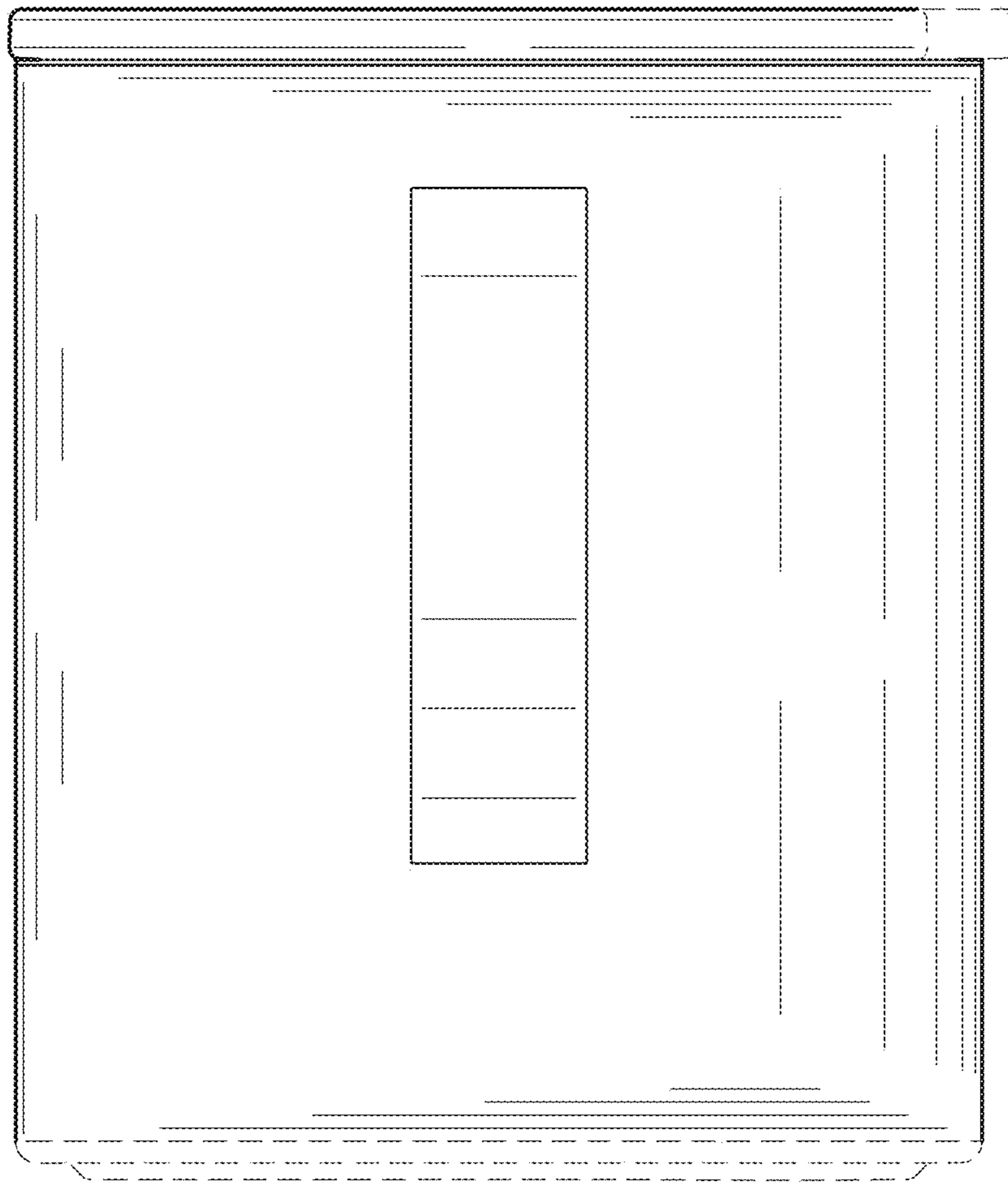


FIG. 21

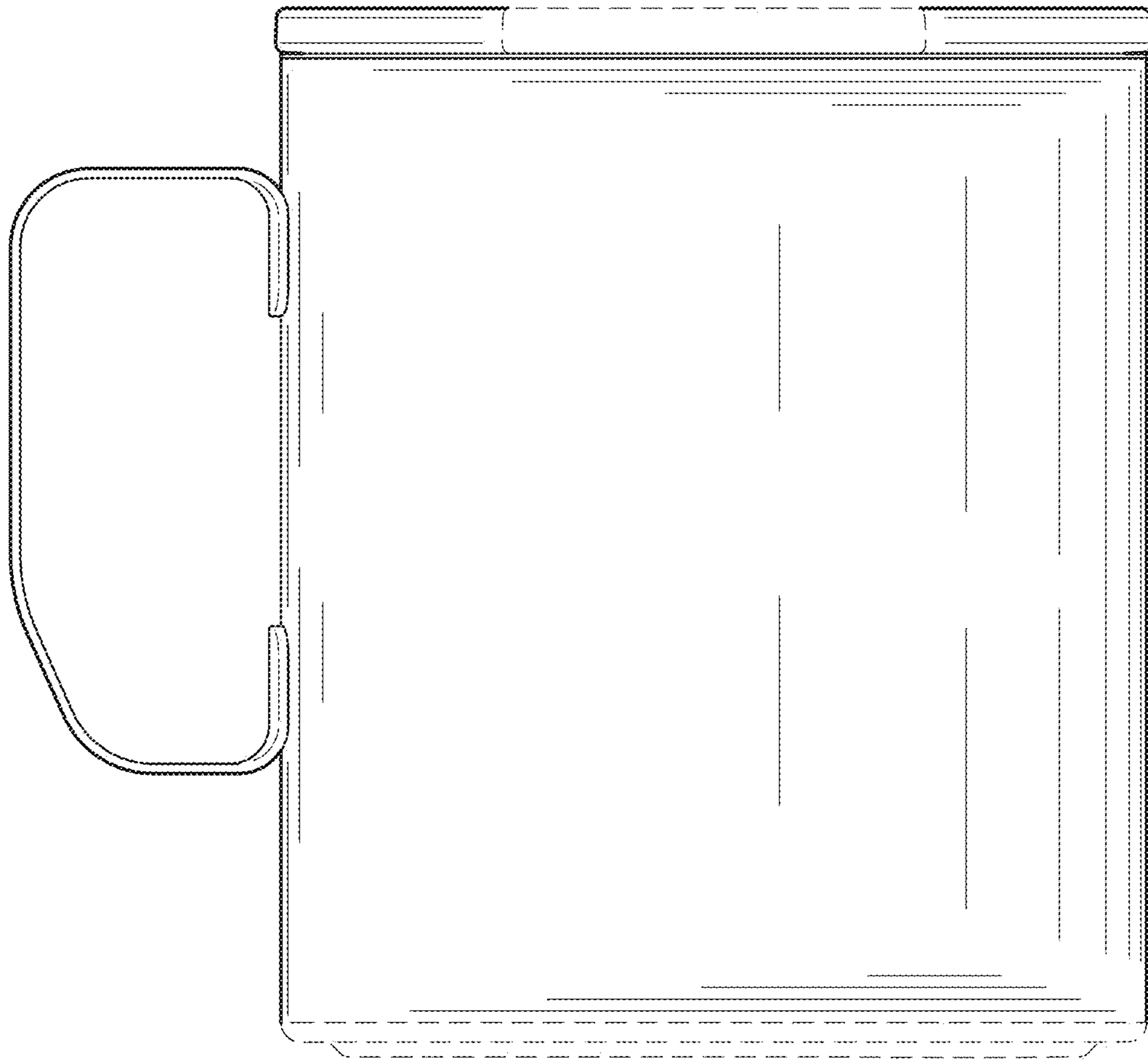


FIG. 22

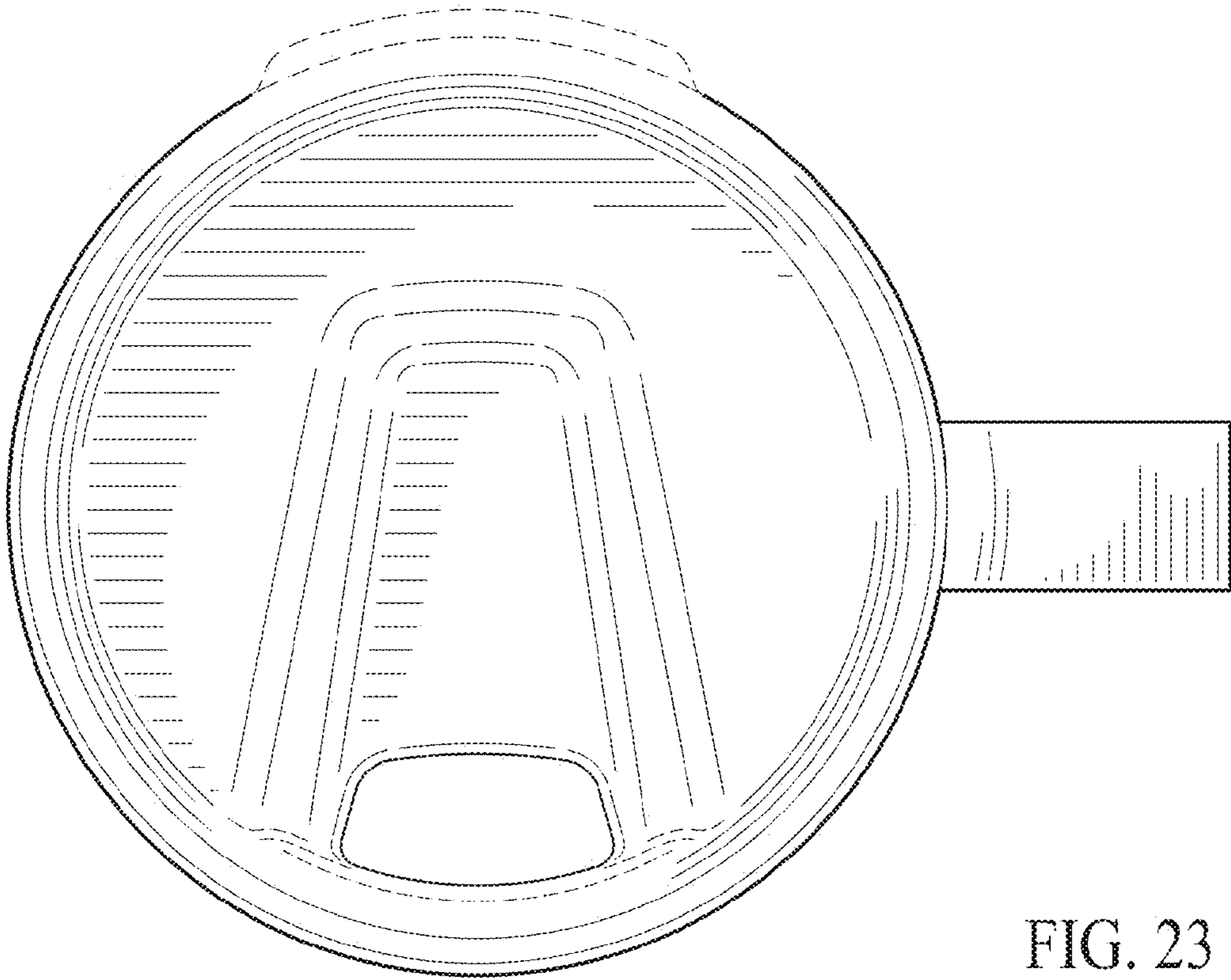


FIG. 23

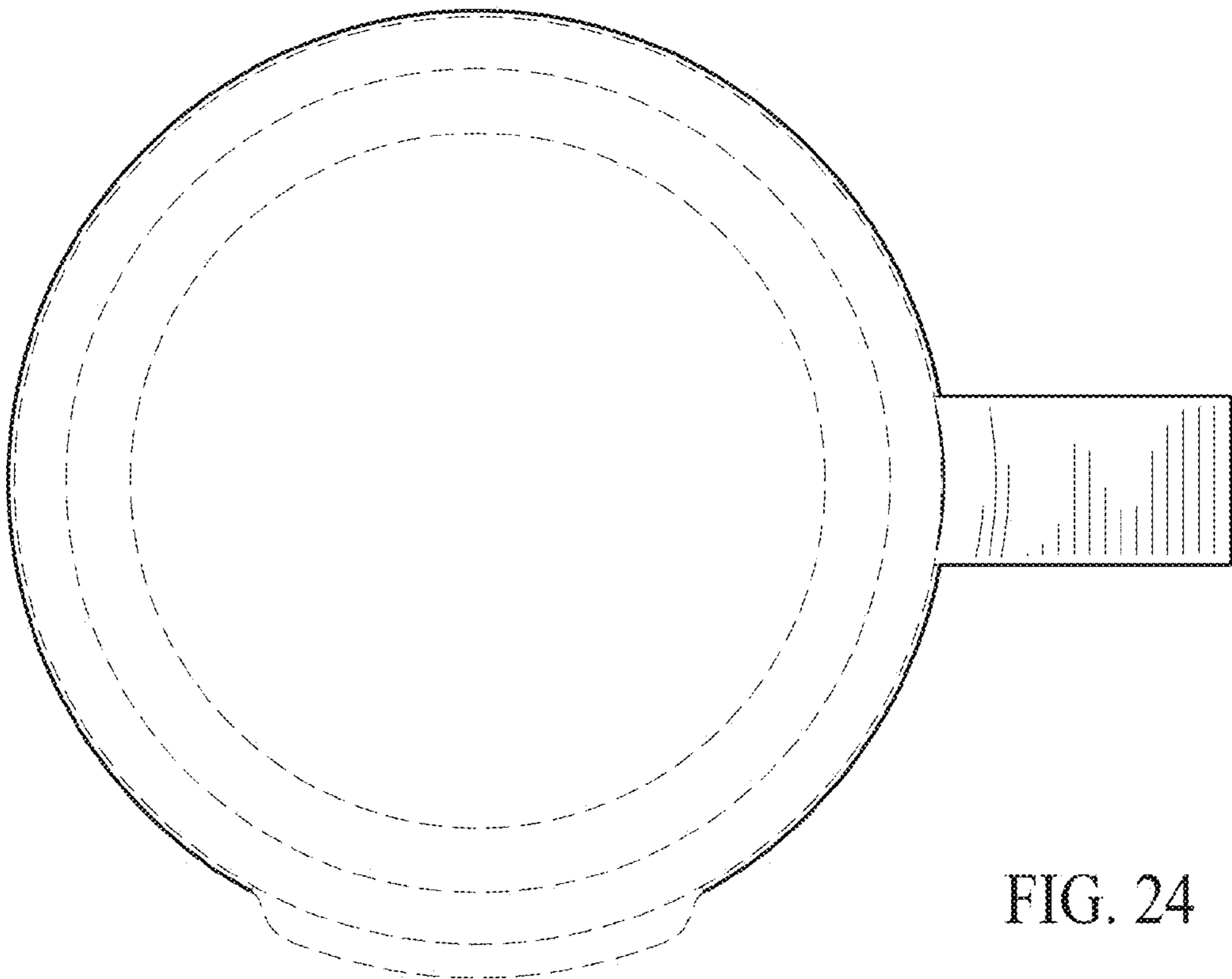


FIG. 24