

US00D947612S

(12) **United States Design Patent** (10) **Patent No.:** **US D947,612 S**
Wu et al. (45) **Date of Patent:** **** Apr. 5, 2022**

(54) **WATER BOTTLE**
(71) Applicant: **Access Business Group International LLC**, Ada, MI (US)
(72) Inventors: **Ziqi Wu**, Grand Rapids, MI (US);
Zane Hoekstra, Kentwood, MI (US);
Timothy P Bower, Rockford, MI (US)
(73) Assignee: **Access Business Group International LLC**, Ada, MI (US)

D379,714 S * 6/1997 Cerny D3/264
D490,652 S * 6/2004 Xiong D7/510
D578,894 S * 10/2008 Seum D9/504
D592,909 S * 5/2009 Alviar D7/510
D599,168 S * 9/2009 Alviar D7/510
D610,871 S * 3/2010 Alviar D7/510
D629,252 S * 12/2010 Alviar D7/510
D641,591 S * 7/2011 Tsukida D7/608
D652,682 S * 1/2012 Eyal D7/510

(Continued)

(**) Term: **15 Years**

CA 134320 * 2/2011
CN 3450384 * 6/2005

(Continued)

(21) Appl. No.: **29/699,784**

FOREIGN PATENT DOCUMENTS

(22) Filed: **Jul. 29, 2019**

OTHER PUBLICATIONS

(51) **LOC (13) Cl.** **07-01**

Amazon US, "Thermos Sipp 16-Ounce Drink Bottle," Sep. 8, 2011,
Amazon.sg, www.amazon.sg/dp/B004VFHKUS (Year: 2011).*

(52) **U.S. Cl.**

USPC **D7/511**; D7/523; D9/504

(Continued)

(58) **Field of Classification Search**

USPC D7/300, 300.1, 354, 391, 392, 392.1,
D7/396.2, 396.3, 409, 507, 509-511,
D7/513-516, 523, 608, 619.1, 619.2, 900;
D9/447, 517, 519, 520, 529, 549;
D24/197, 224; D30/121, 151; D99/28
CPC A47G 19/12; A47G 19/22; A47G 19/2205;
A47G 19/2211; A47G 19/2261; A47G
19/2222; A47G 19/2227; A47G 19/2266;
A47G 19/2272; A47G 19/2288; A47G
23/0241; A47J 41/00; A47J 41/0055;
A47J 41/0072; A47J 41/02; A47J 41/028;
B65D 51/245; B65D 51/265; B65D
51/28; B65D 77/0493; C02F 1/002

See application file for complete search history.

Primary Examiner — Joseph Kukella
Assistant Examiner — Arva P Adams
(74) *Attorney, Agent, or Firm* — Alticor Inc.

(57) **CLAIM**

The ornamental design for a water bottle, as shown and described.

DESCRIPTION

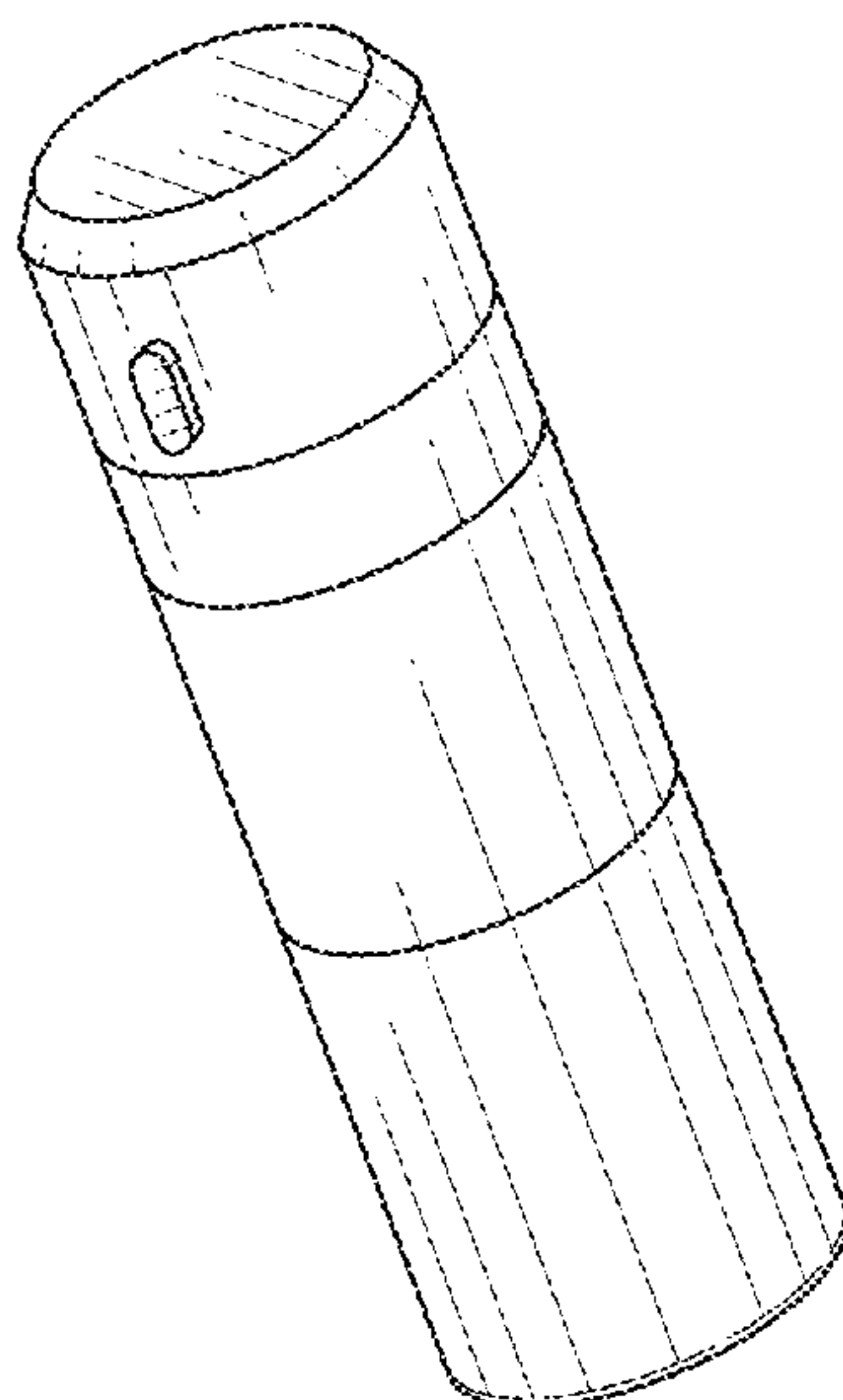
FIG. 1 is a perspective view of the water bottle embodying the new design;
FIG. 2 is a left-side view thereof;
FIG. 3 is a right-side view thereof;
FIG. 4 is a front view thereof;
FIG. 5 is a rear view thereof;
FIG. 6 is a top view thereof; and,
FIG. 7 is a bottom view thereof.

(56) **References Cited**

U.S. PATENT DOCUMENTS

3,465,905 A * 9/1969 Schottanes A47J 41/02
215/6
D351,321 S * 10/1994 Steppe, Sr. B65D 85/816
D7/608

1 Claim, 2 Drawing Sheets



(56)

References Cited

U.S. PATENT DOCUMENTS

D655,134 S * 3/2012 Gilbert D9/504
 D702,398 S * 4/2014 Fakhouri D27/181
 D709,734 S * 7/2014 Kotani D7/608
 D729,584 S 5/2015 Weston et al.
 D731,244 S * 6/2015 Kohl D7/510
 D815,492 S * 4/2018 Bo A47J 41/02
 D823,537 S * 7/2018 Beaver C02F 1/32
 D827,388 S * 9/2018 Kander D9/503
 D850,728 S * 6/2019 Lee D28/89
 D871,844 S * 1/2020 Adams, Jr. D7/532
 D897,774 S * 10/2020 Pisarevsky D7/532
 2018/0362221 A1 * 12/2018 Hooks B65D 85/816
 2021/0171384 A1 * 6/2021 Wu C02F 1/32

FOREIGN PATENT DOCUMENTS

CN 303638644 * 4/2016
 CN 304996105 * 1/2019

CN 305225462 * 6/2019
 JP D1383193 * 3/2010
 JP D1507902 * 9/2014
 JP D1581494 * 7/2017
 KR 301003157.0000 * 4/2019

OTHER PUBLICATIONS

Asobu Inc., "Asobu Flavor U See a Stainless Steel Fruit Infuser Slim and Classy Water Bottle," Jun. 30, 2018, Amazon.com, www.amazon.com/dp/B07F5SLGYD/?th=1 (Year: 2018).*

FlyKan Shopping Mall, "18/10 Vacuum Insulated Sport Water Bottle," Oct. 29, 2019, Amazon.com, www.amazon.com/dp/B07ZQ66KKG (Year: 2019).*

* cited by examiner

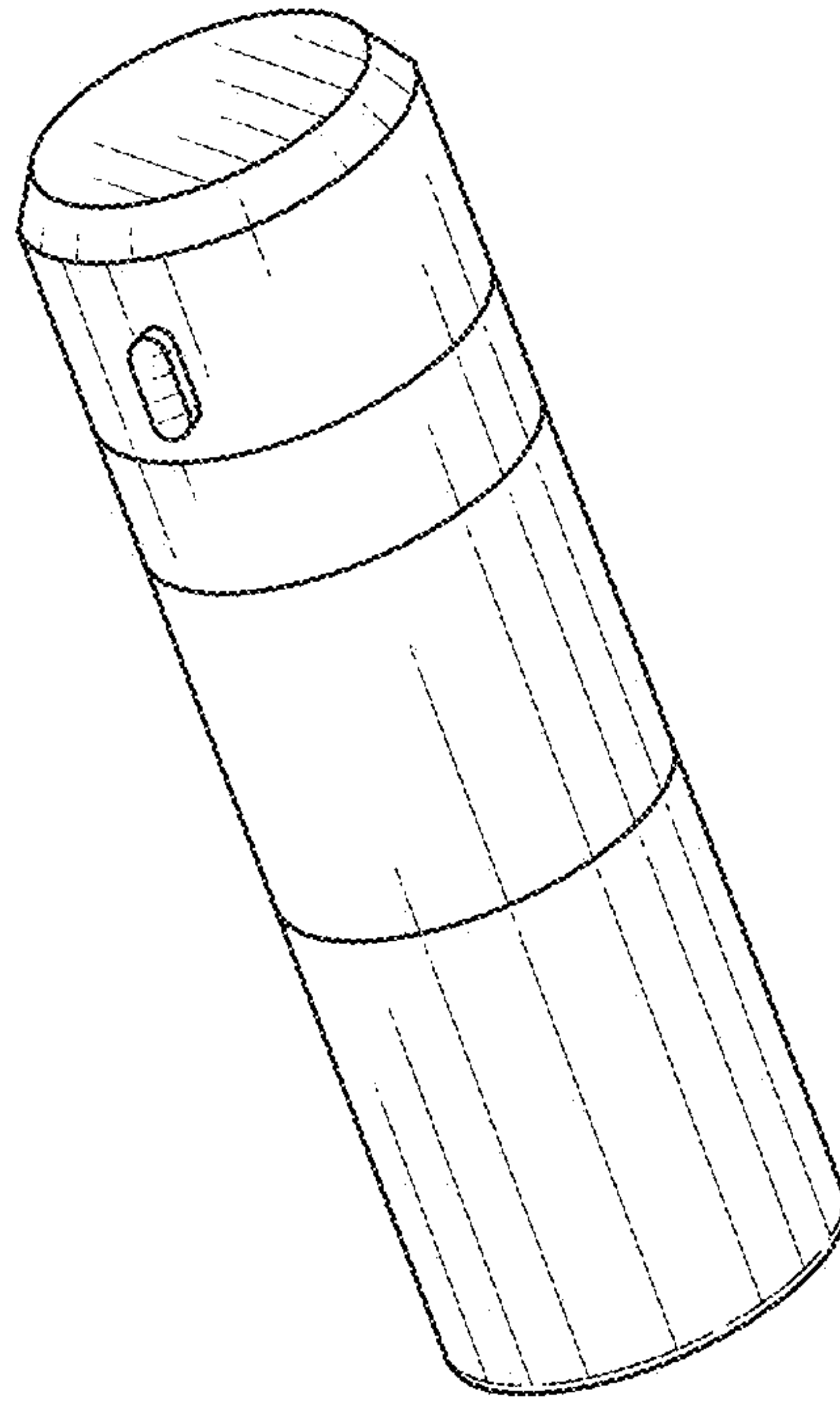


FIG. 1

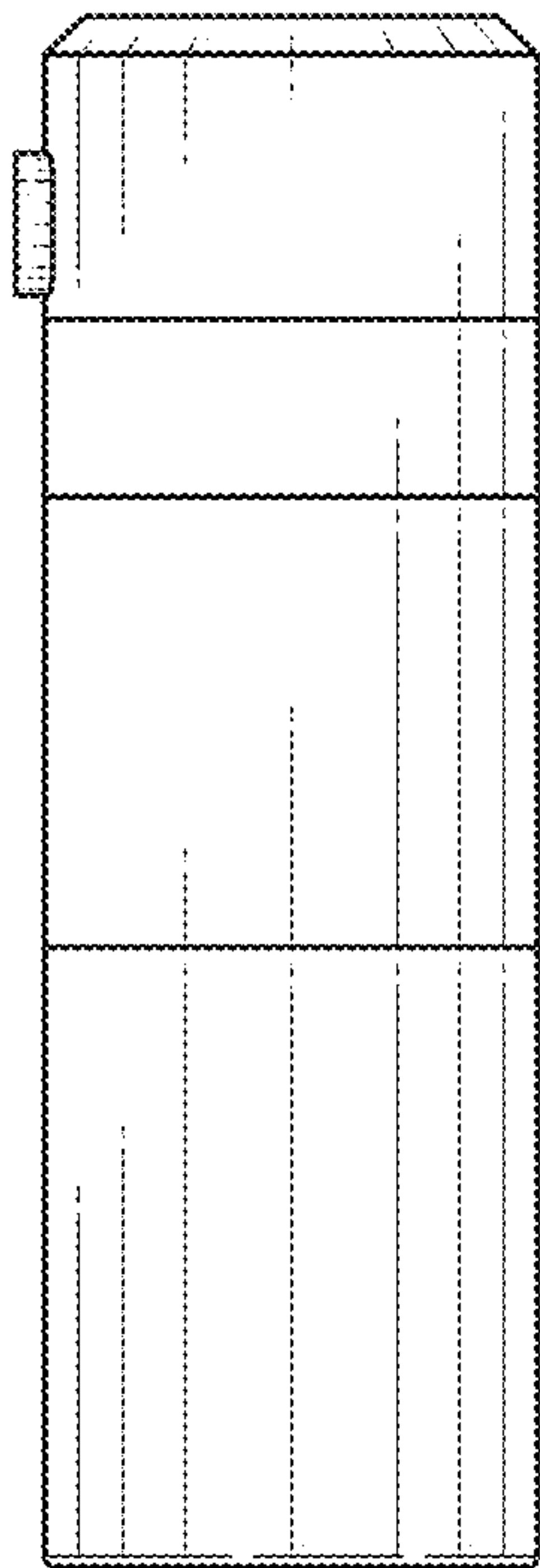


FIG. 2

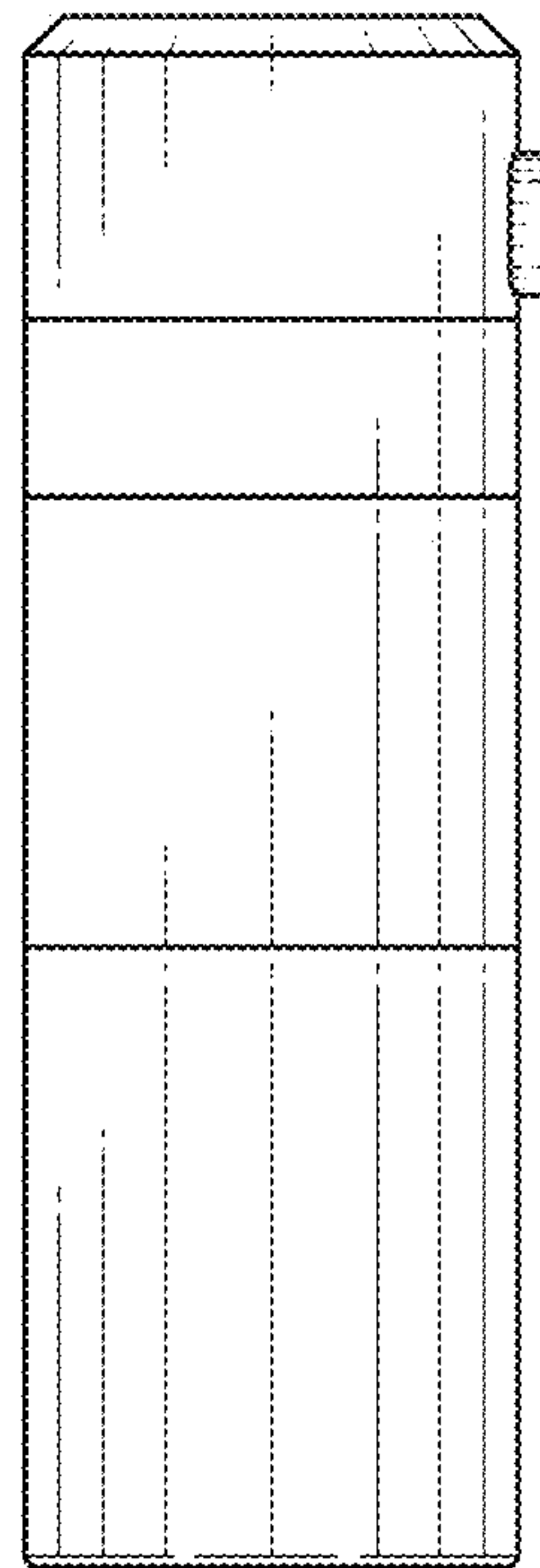


FIG. 3

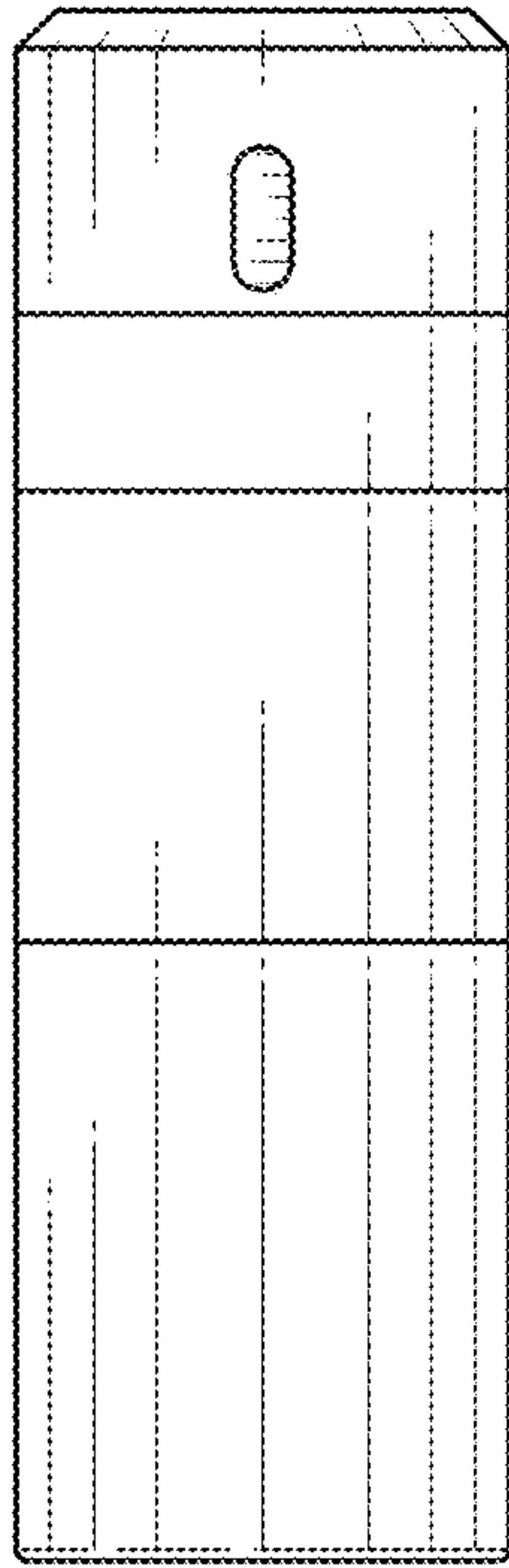


FIG. 4

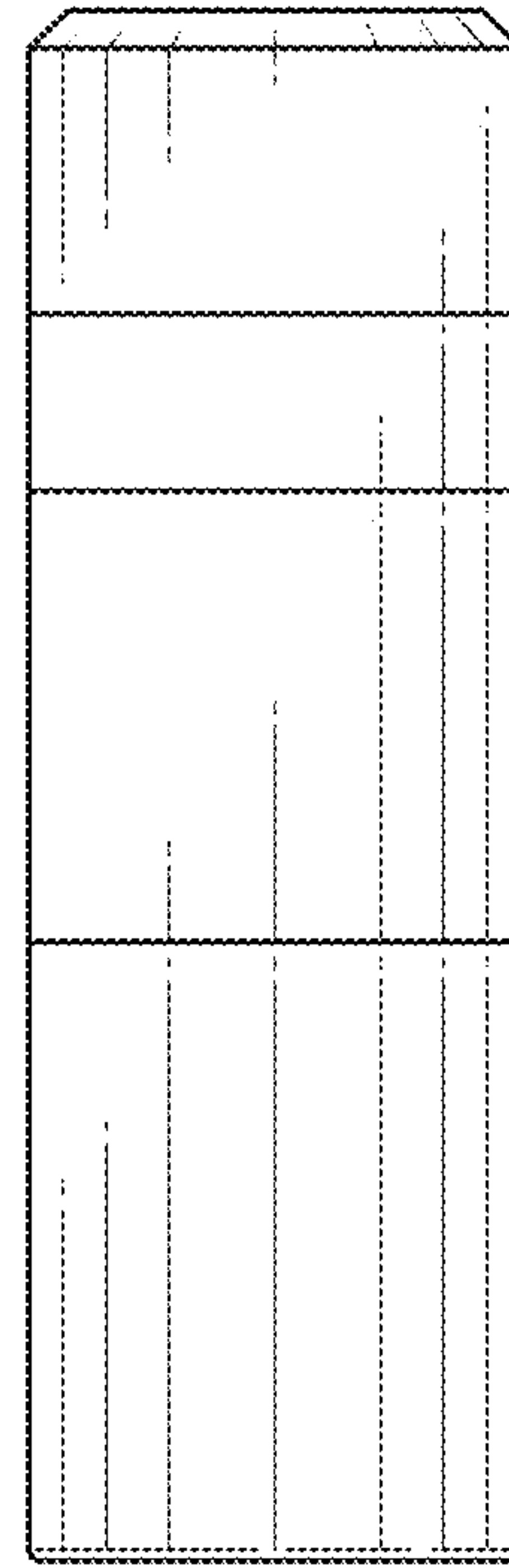


FIG. 5

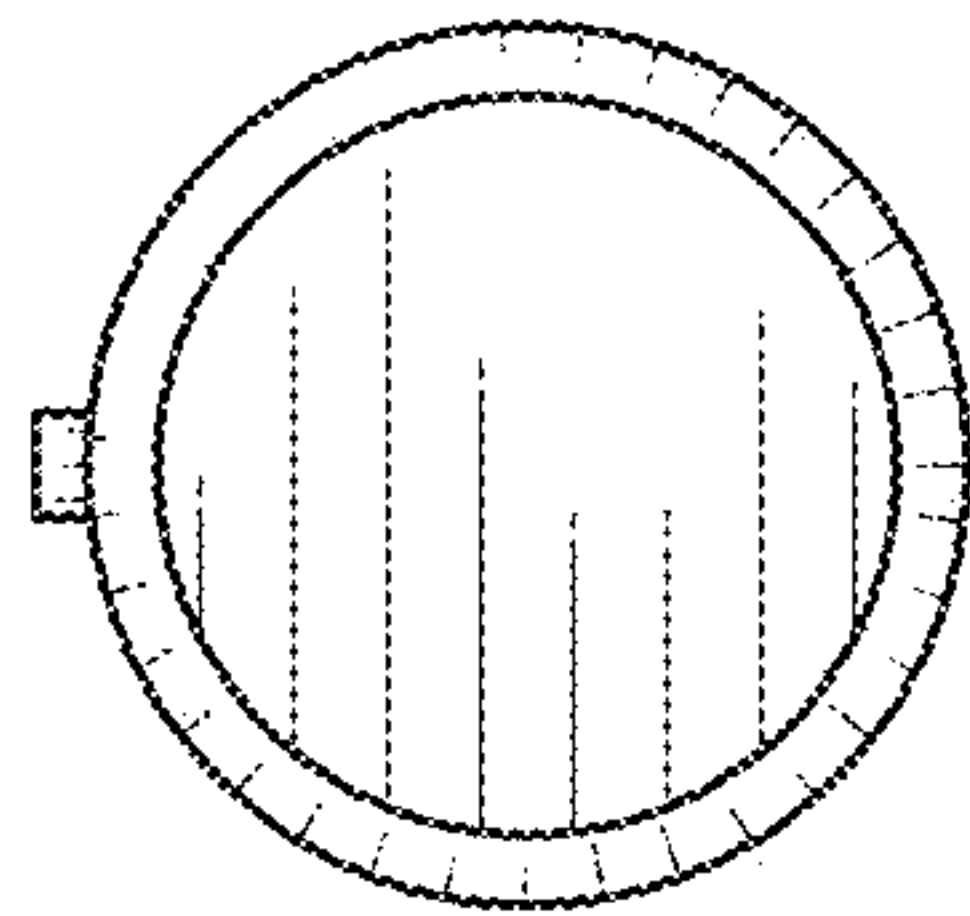


FIG. 6

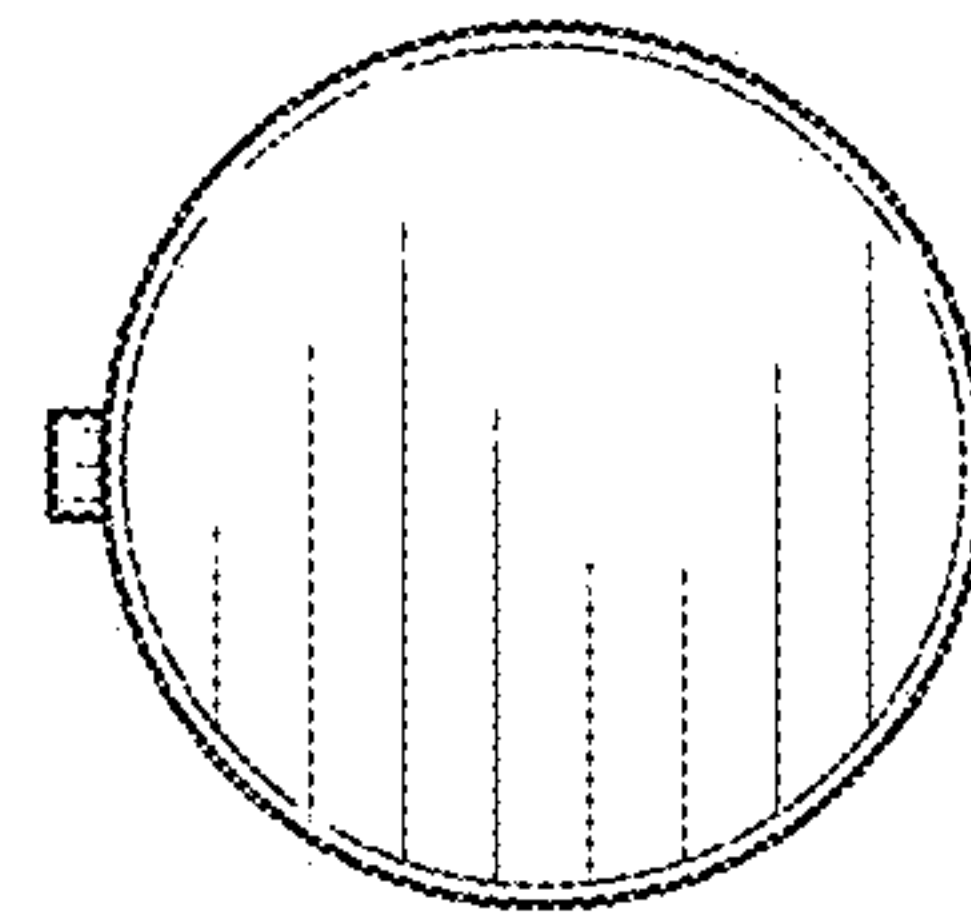


FIG. 7