



US00D947611S

(12) **United States Design Patent** (10) **Patent No.:** **US D947,611 S**
Lown (45) **Date of Patent:** **** Apr. 5, 2022**

(54) **FLUID CONTAINER**

(71) Applicant: **Takeya USA Corporation**, Huntington Beach, CA (US)

(72) Inventor: **John M. Lown**, Huntington Beach, CA (US)

(73) Assignee: **Takeya USA Corporation**, Costa Mesa, CA (US)

(**) Term: **15 Years**

(21) Appl. No.: **29/701,804**

(22) Filed: **Aug. 14, 2019**

(51) **LOC (13) Cl.** **07-01**

(52) **U.S. Cl.**
USPC **D7/510; D7/511**

(58) **Field of Classification Search**
USPC D7/507, 509, 510, 511, 512, 523, 532, D7/305, 531, 608, 392.1, 396.2, 533, 536; D27/172, 174, 175, 176; D9/501, 502, D9/503, 504, 530, 529, 522, 554, 567, D9/571, 569, 449, 516, 523, 524, 543, D9/565, 575

CPC A47J 43/27; A47J 41/02; A47G 19/22; A47G 19/16; A47G 19/2205; A47G 19/2288; B65D 1/265

See application file for complete search history.

(56) **References Cited**

U.S. PATENT DOCUMENTS

- D679,541 S * 4/2013 Samartgis D7/392.1
- D771,990 S * 11/2016 Horowitz D7/300.1
- D830,783 S * 10/2018 Diener D7/608
- D839,051 S * 1/2019 Potter D7/510
- D845,084 S * 4/2019 Jacobsen D7/608
- D870,509 S * 12/2019 Bo D7/392.1

- D882,335 S * 4/2020 Lane D7/396.2
- D900,536 S * 11/2020 Yao D7/392.1
- 2014/0048511 A1* 2/2014 El-Saden A47G 19/2266 215/389

OTHER PUBLICATIONS

Takeya Actives Insulated Stainless Steel Water Bottle with Spout Lid, 24 oz by Amazon.com Learn more: https://www.amazon.com/dp/B071K1DMPX/ref=cm_sw_em_r_mt_dp_Y760C8THZG699Z5BXSE8?_encoding=UTF8&psc=1 (Year: 2017).*
Takeya Actives Spout Bottle Midnight, 64 oz by Amazon.com Learn more: https://www.amazon.com/dp/B08QDS3WCN/ref=cm_sw_em_r_mt_dp_C40GSS096BJPSXHWGM44?_encoding=UTF8&psc=1 (Year: 2020).*

* cited by examiner

Primary Examiner — Jae Liang

(74) *Attorney, Agent, or Firm* — Klein, O'Neill & Singh, LLP

(57) **CLAIM**

The ornamental design for a fluid container, as shown and described.

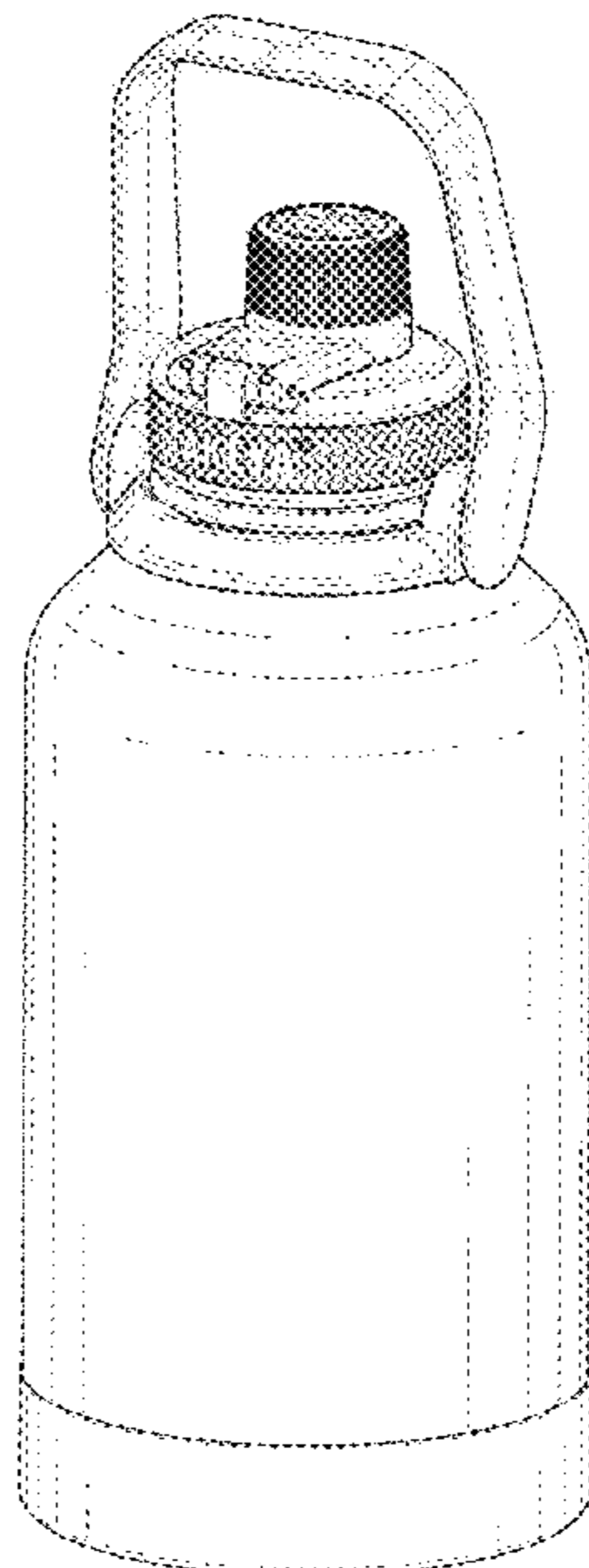
DESCRIPTION

FIG. 1 is a rear perspective view of a fluid container showing my new design;
FIG. 2 is a front elevation view thereof;
FIG. 3 is a rear elevation view thereof;
FIG. 4 is a right elevation view thereof;
FIG. 5 is a left elevation view thereof;
FIG. 6 is a top plan view thereof; and,
FIG. 7 is a bottom plan view thereof.

The broken lines in the drawings depict portions of the fluid container that form no part of the claimed design.

The shading lines only help to show the shape and do not depict any surface decoration.

1 Claim, 4 Drawing Sheets



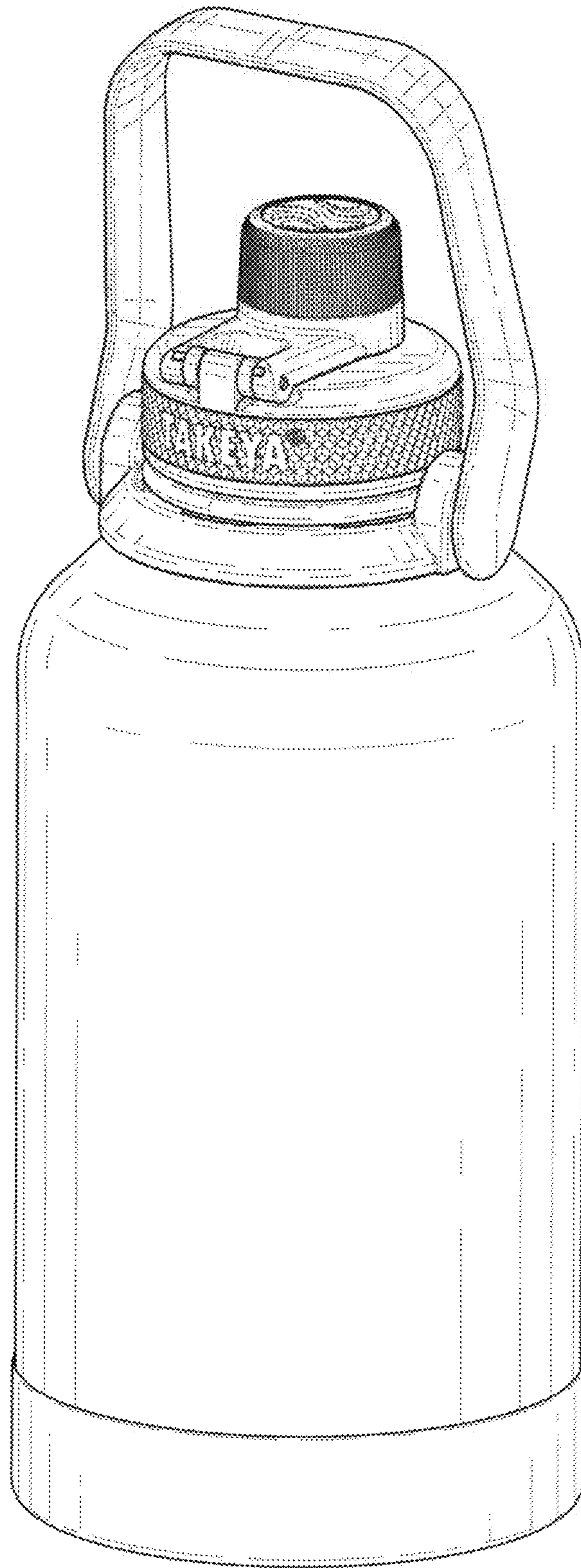


FIG. 1

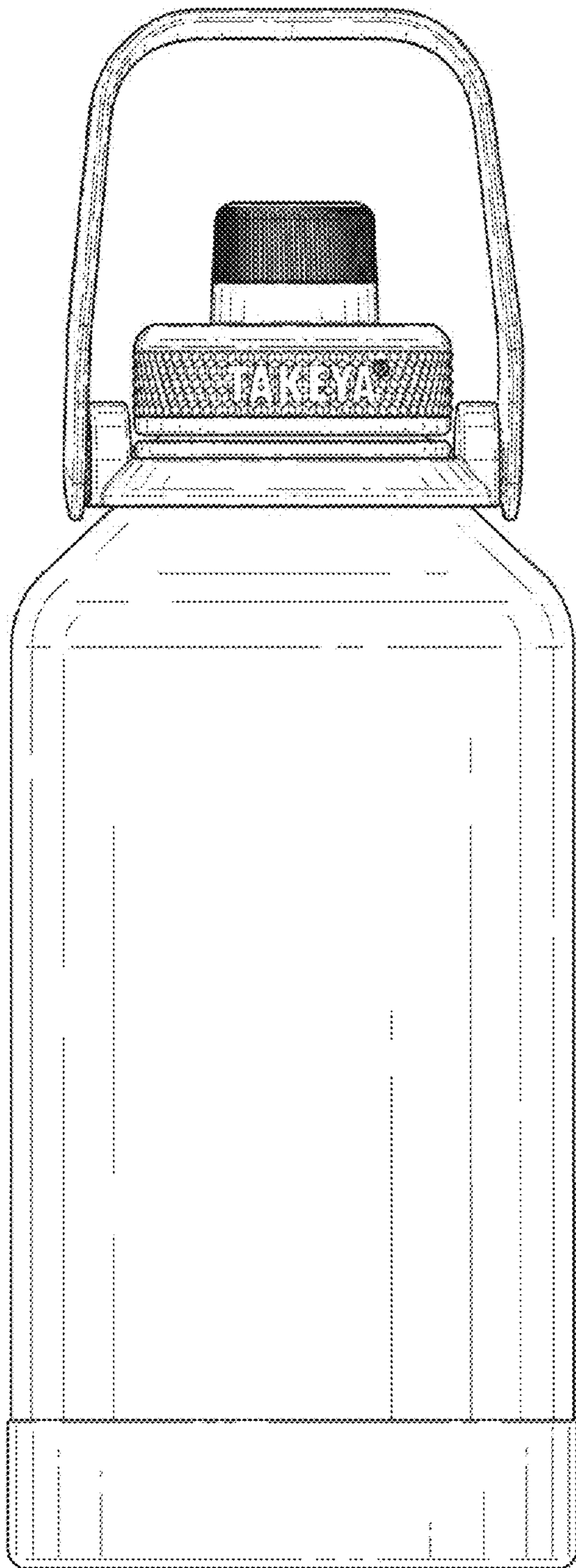


FIG. 2

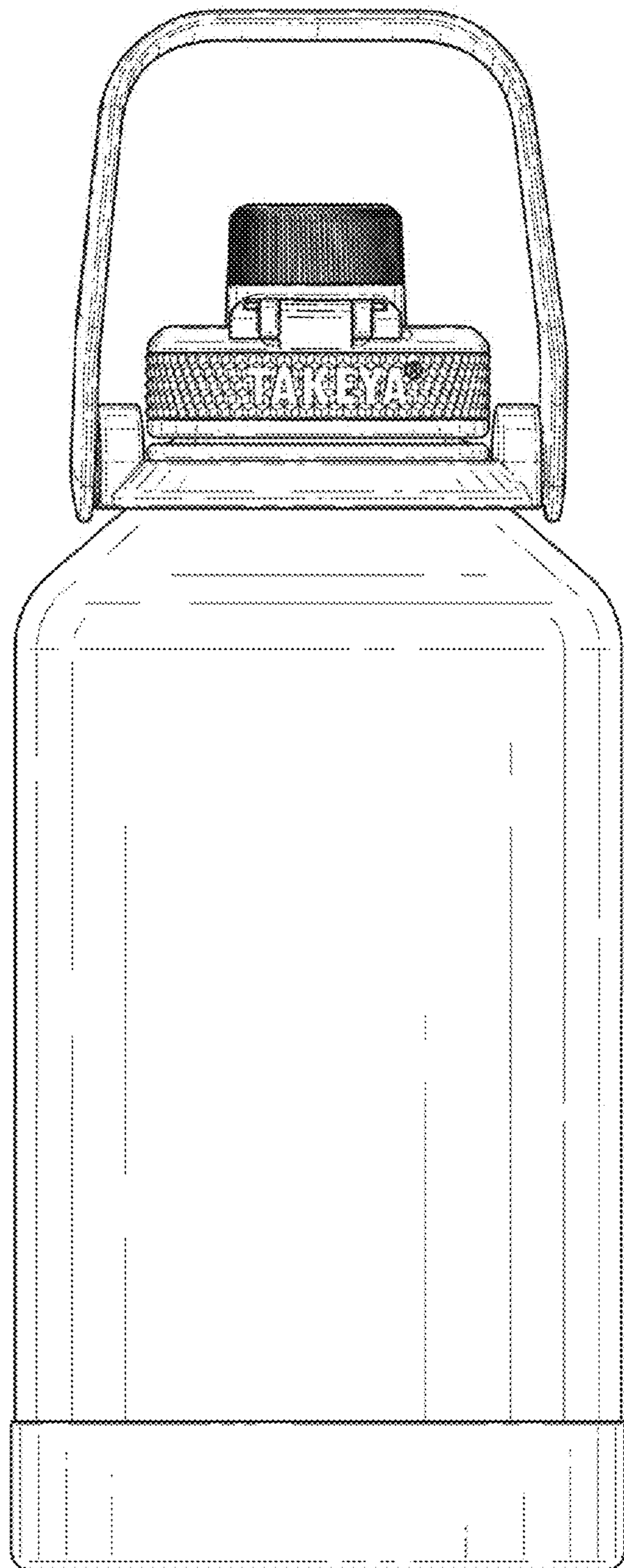


FIG. 3

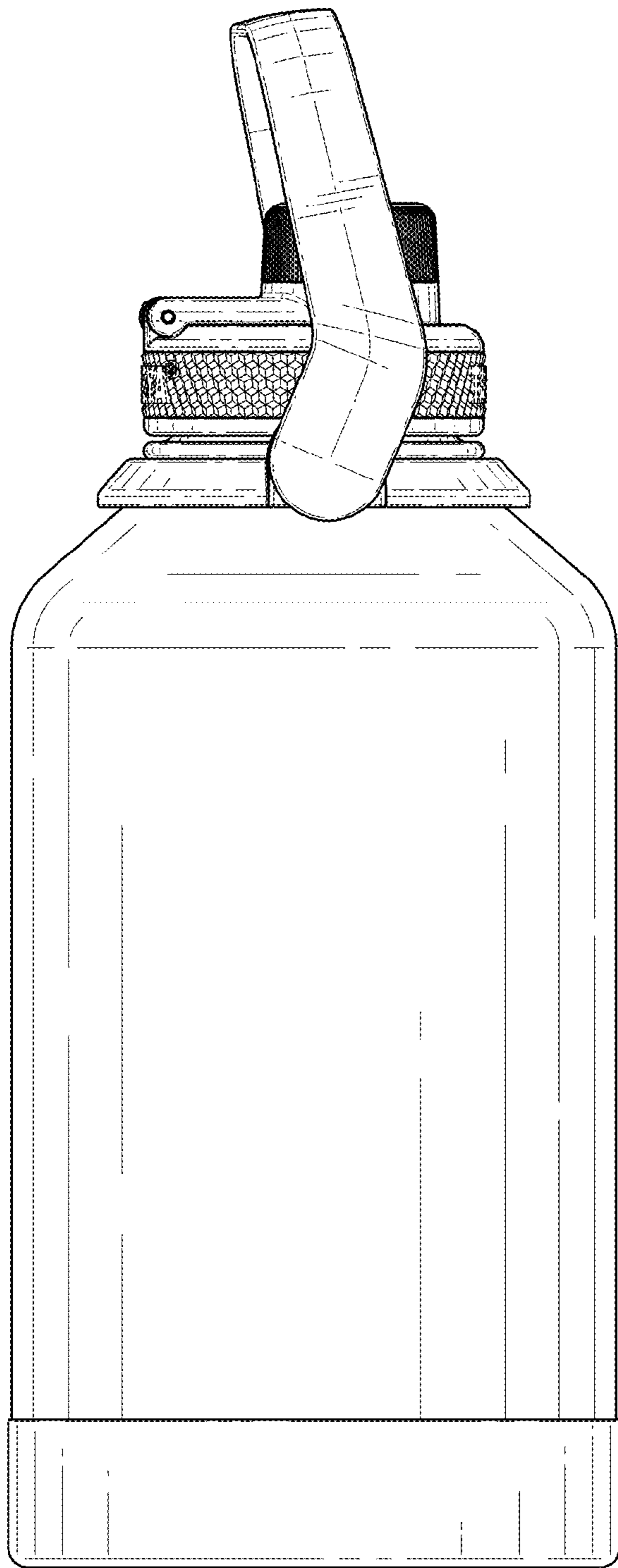


FIG. 4

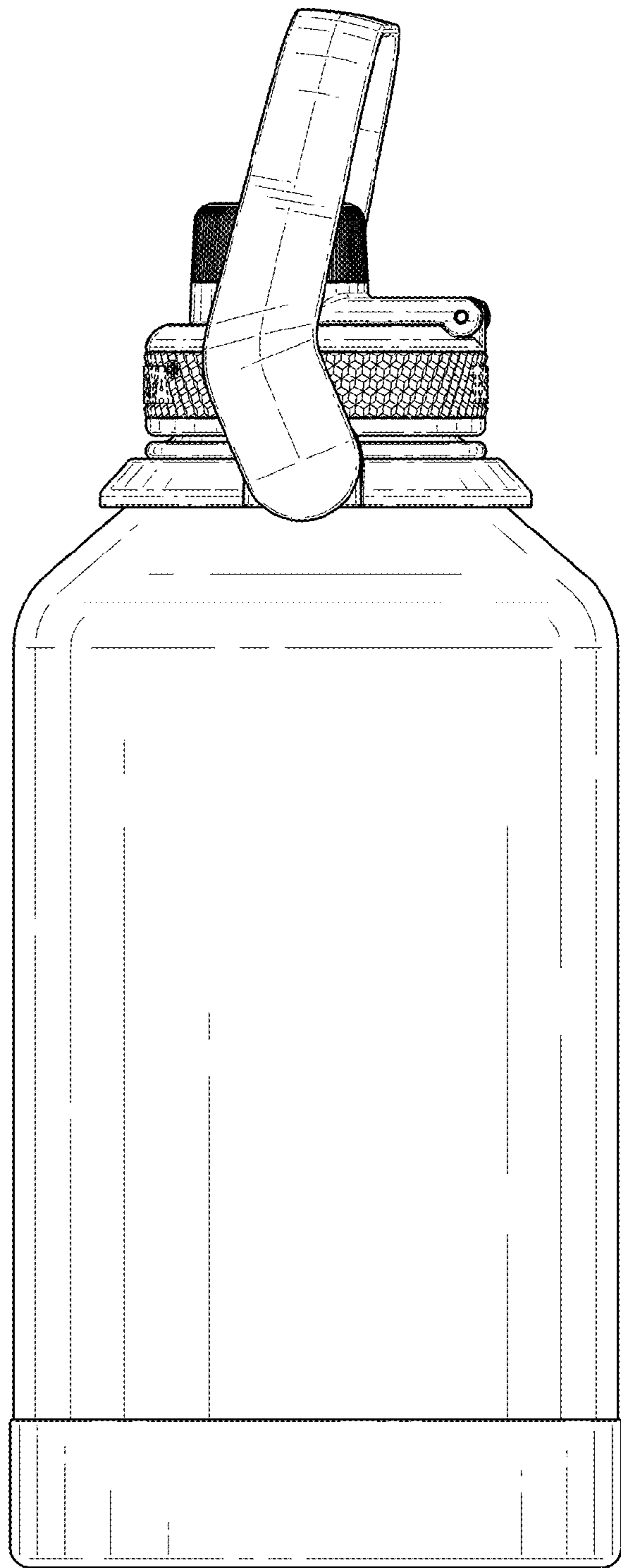


FIG. 5

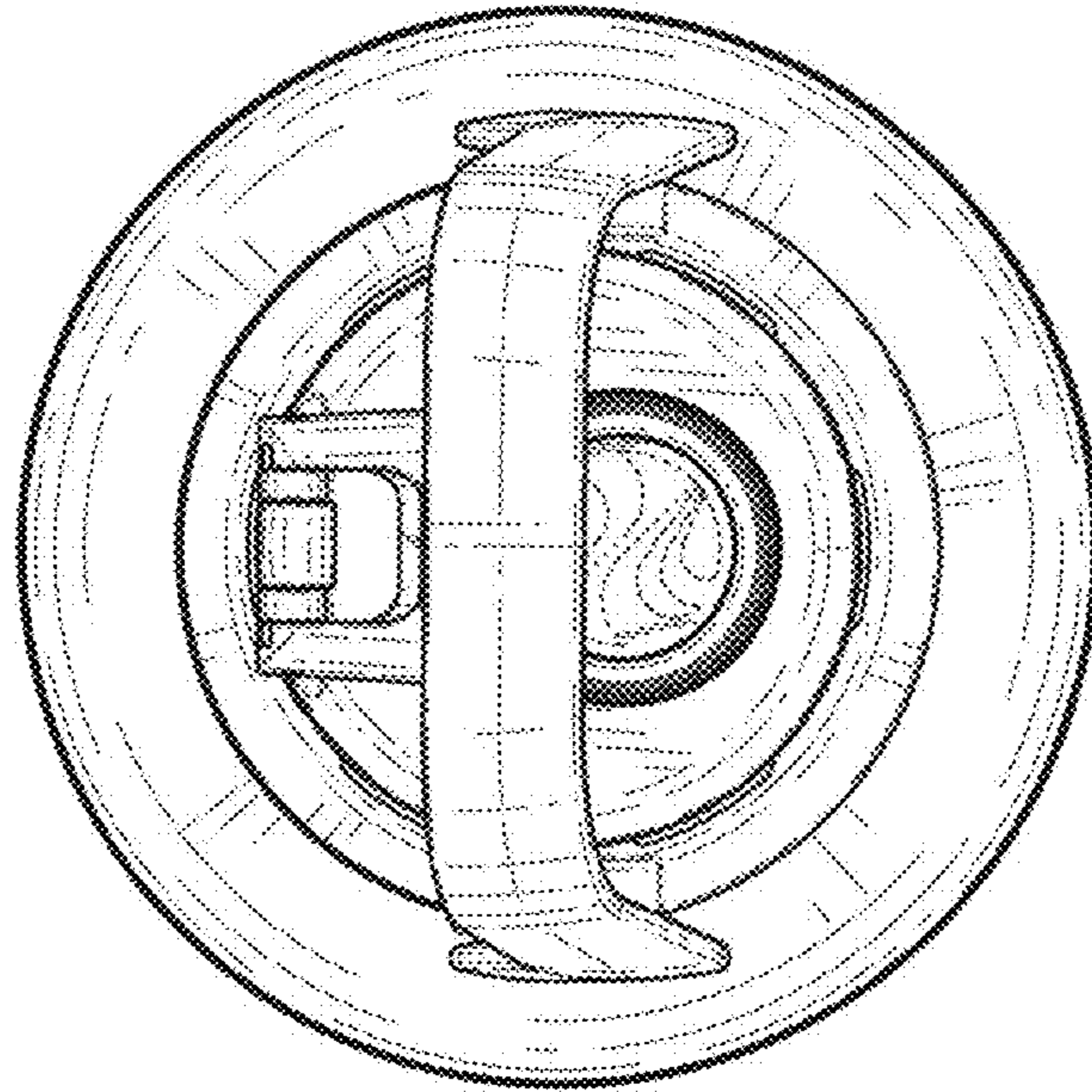


FIG. 6

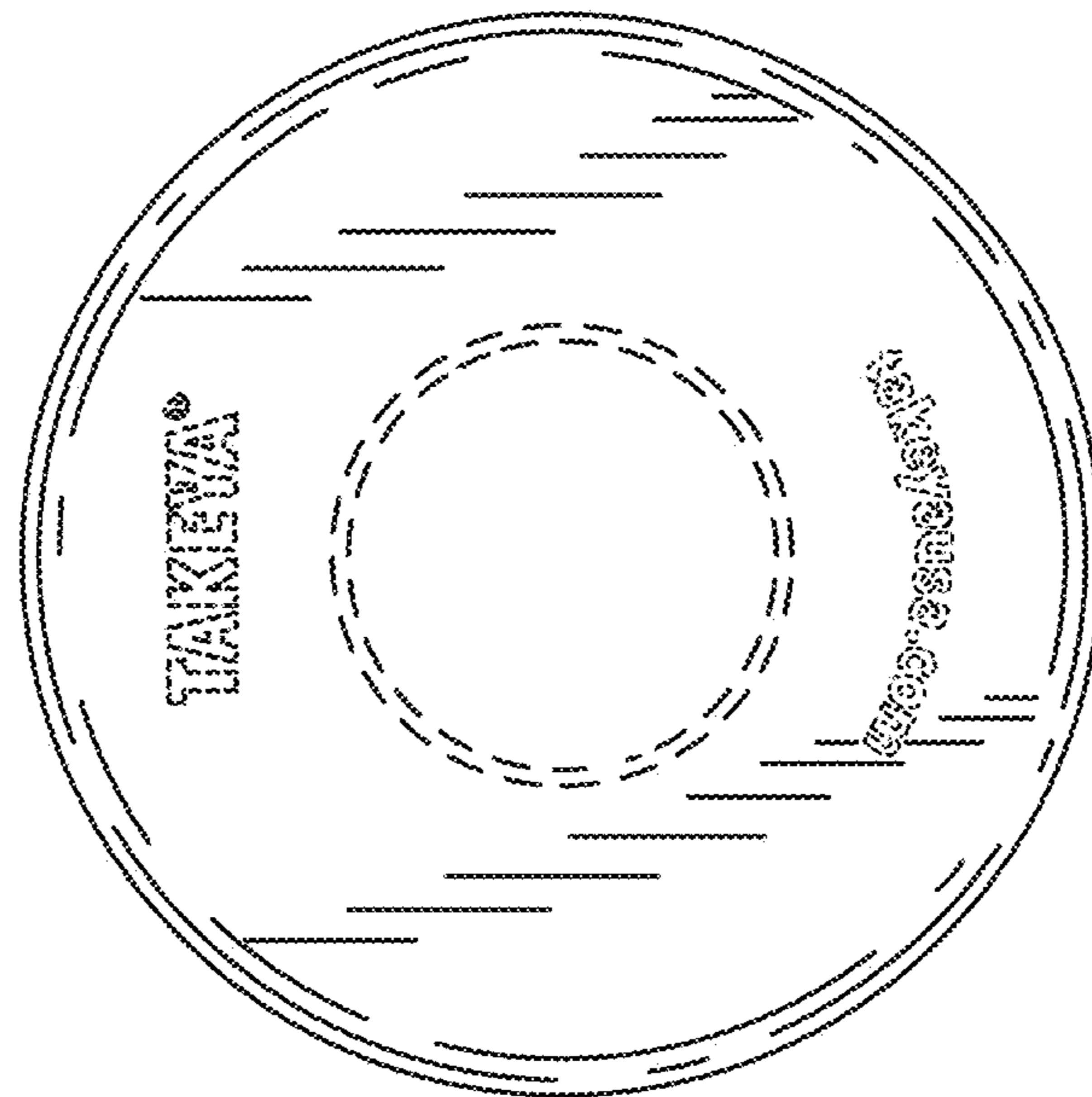


FIG. 7