



US00D947610S

(12) **United States Design Patent**
Mock et al.

(10) **Patent No.:** **US D947,610 S**

(45) **Date of Patent:** **** Apr. 5, 2022**

(54) **QUAD BLADE UNIT**

(71) Applicant: **WHIRLPOOL CORPORATION**,
Benton Harbor, MI (US)

(72) Inventors: **Brandon T. Mock**, St. Joseph, MI
(US); **Yifan Wang**, St. Joseph, MI (US)

(73) Assignee: **Whirlpool Corporation**, Benton
Harbor, MI (US)

(**) Term: **15 Years**

(21) Appl. No.: **29/803,777**

(22) Filed: **Aug. 16, 2021**

Related U.S. Application Data

(63) Continuation of application No. 29/739,225, filed on
Jun. 23, 2020, now Pat. No. Des. 927,932.

(51) **LOC (13) Cl.** **31-00**

(52) **U.S. Cl.**
USPC **D7/412; D7/376; D7/378**

(58) **Field of Classification Search**
USPC **D7/372, 376–386, 397, 412–413, 602,**
D7/629, 665–666, 669, 679, 693–694;
D12/214; D23/354

CPC **A21C 1/02; A21C 1/04; A23N 1/00; A23N**
1/02; A47J 43/04; A47J 43/25; A47J
43/27; A47J 43/042; A47J 43/044; A47J
43/046; A47J 43/07; A47J 43/075; A47J
43/0722; A47J 43/0727; B01F 3/00; B01F
3/0807; B01F 3/0853; B01F 13/0059;
B01F 13/0064; B02C 1/08; B02C 2/04;
B02C 4/42; B02C 4/142; B02C 4/143;
B02C 4/423; B02C 13/1835; B28C 5/10;
B28C 5/12; B28C 5/14; B28C 5/16;
B63H 21/38

See application file for complete search history.

(56) **References Cited**

U.S. PATENT DOCUMENTS

| | | | |
|---------------|---------|---------------|------------------------|
| 3,461,933 A | 8/1969 | Mantelet | |
| 4,733,827 A | 3/1988 | Williams | |
| 4,817,878 A | 4/1989 | Shibata | |
| D317,147 S * | 5/1991 | Hannon | D12/214 |
| D324,201 S | 2/1992 | Hannon et al. | |
| 5,158,433 A * | 10/1992 | Cleary | B63H 21/38 29/889.6 |
| D421,201 S * | 2/2000 | Crescenzi | D7/412 |

(Continued)

Primary Examiner — Ricky Pham

(74) *Attorney, Agent, or Firm* — Price Heneveld LLP

(57) **CLAIM**

We claim the ornamental design for a quad blade unit, as shown and described.

DESCRIPTION

FIG. 1 is a first top perspective view of a quad blade unit of the present disclosure;

FIG. 2 is a first bottom perspective view of the quad blade unit of FIG. 1;

FIG. 3 is a second top perspective view of the quad blade unit of FIG. 1;

FIG. 4 is a second bottom perspective view of the quad blade unit of FIG. 1;

FIG. 5 is a first side elevational view of the quad blade unit of FIG. 1;

FIG. 6 is a second side elevational view of the quad blade unit of FIG. 1;

FIG. 7 is a front elevational view of the quad blade unit of FIG. 1;

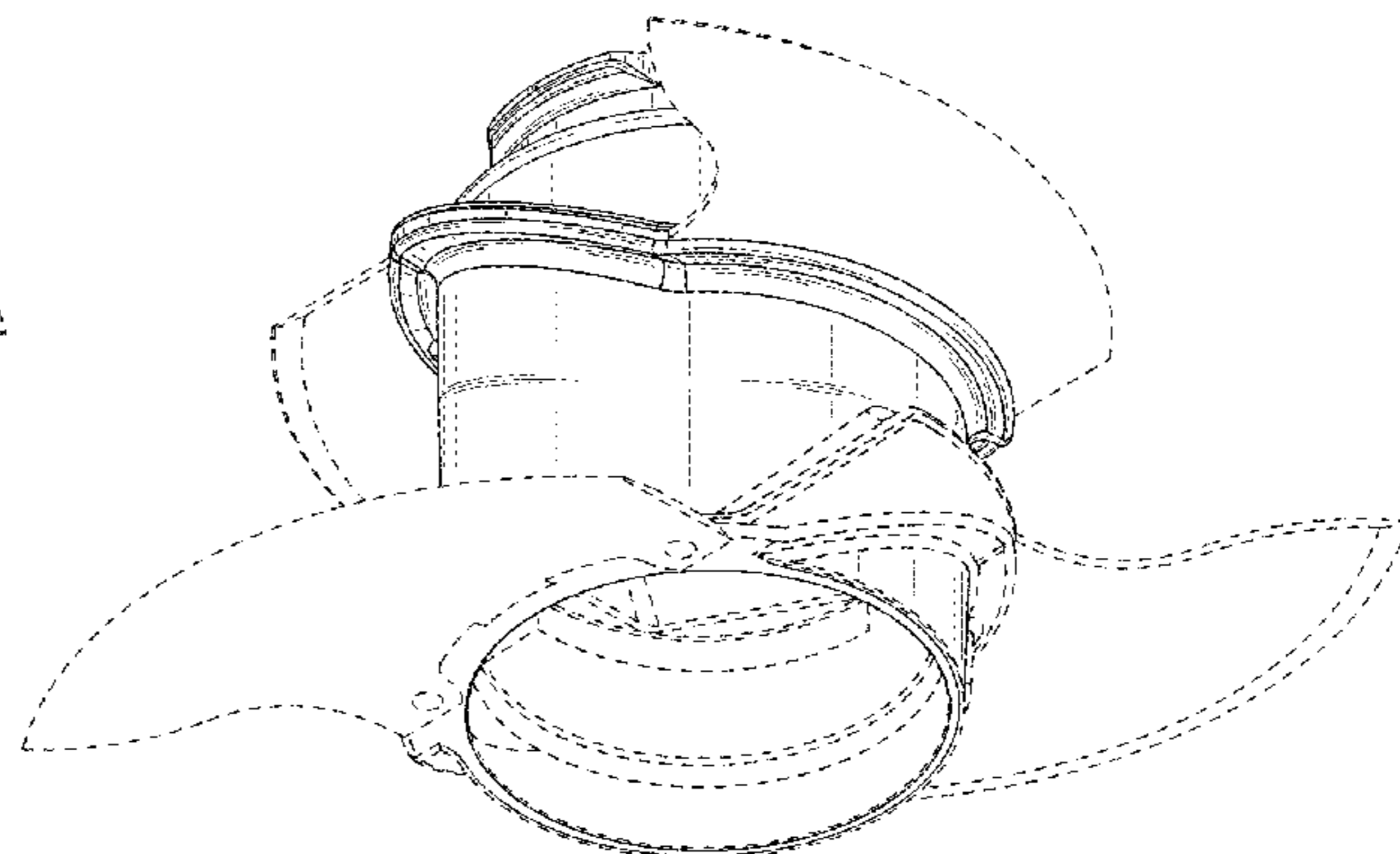
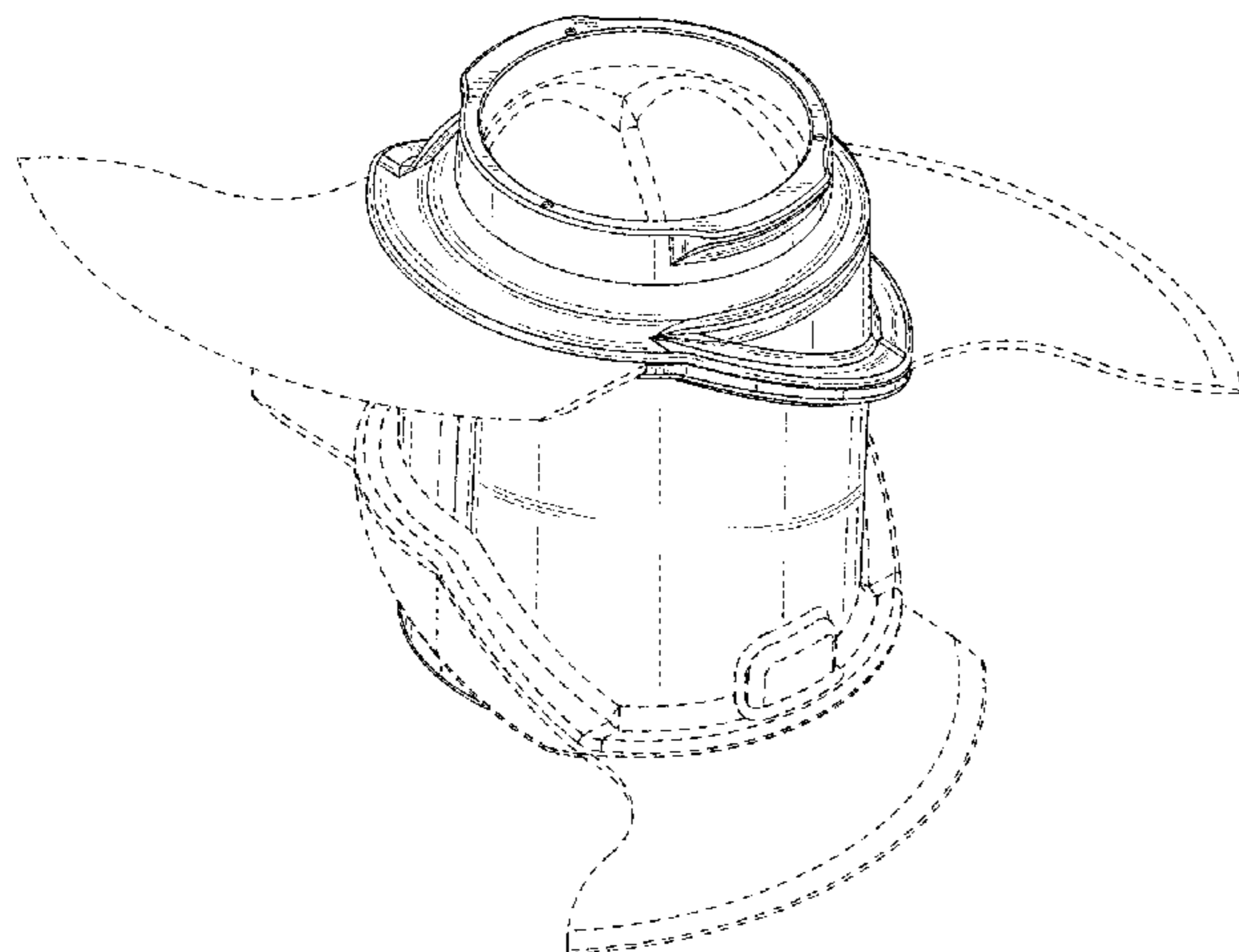
FIG. 8 is a rear side elevational view of the quad blade unit of FIG. 1;

FIG. 9 is a top plan view of the quad blade unit of FIG. 1; and,

FIG. 10 is a bottom plan view of the quad blade unit of FIG. 1.

The broken lines depict portions of the article that form no part of the claimed design.

1 Claim, 10 Drawing Sheets



(56)

References Cited

U.S. PATENT DOCUMENTS

| | | | | |
|--------------|------|---------|--------------------|---------------------------|
| D421,546 | S | 3/2000 | Ekstrom | |
| D426,744 | S * | 6/2000 | Wong | D7/384 |
| 6,532,863 | B1 | 3/2003 | Lee | |
| D560,154 | S * | 1/2008 | Aplin, Jr. | D12/214 |
| D604,101 | S * | 11/2009 | Sands | D7/376 |
| D647,365 | S | 10/2011 | Audette et al. | |
| D663,586 | S | 7/2012 | Audette | |
| D668,115 | S | 10/2012 | Potter | |
| D696,070 | S * | 12/2013 | Audette | D7/412 |
| 8,702,300 | B2 | 4/2014 | Audette | |
| D708,902 | S | 7/2014 | Audette | |
| D709,324 | S * | 7/2014 | Guo | D7/412 |
| D709,325 | S * | 7/2014 | Guo | D7/412 |
| D725,252 | S * | 3/2015 | Hamada | D23/354 |
| D761,056 | S | 7/2016 | Kemker | |
| D893,393 | S * | 8/2020 | Hopkins, III | D12/214 |
| D927,932 | S * | 8/2021 | Mock | D7/412 |
| 2004/0046075 | A1 * | 3/2004 | Gursel | A47J 43/0722 241/292.1 |
| 2010/0246320 | A1 | 9/2010 | Sands | |

* cited by examiner

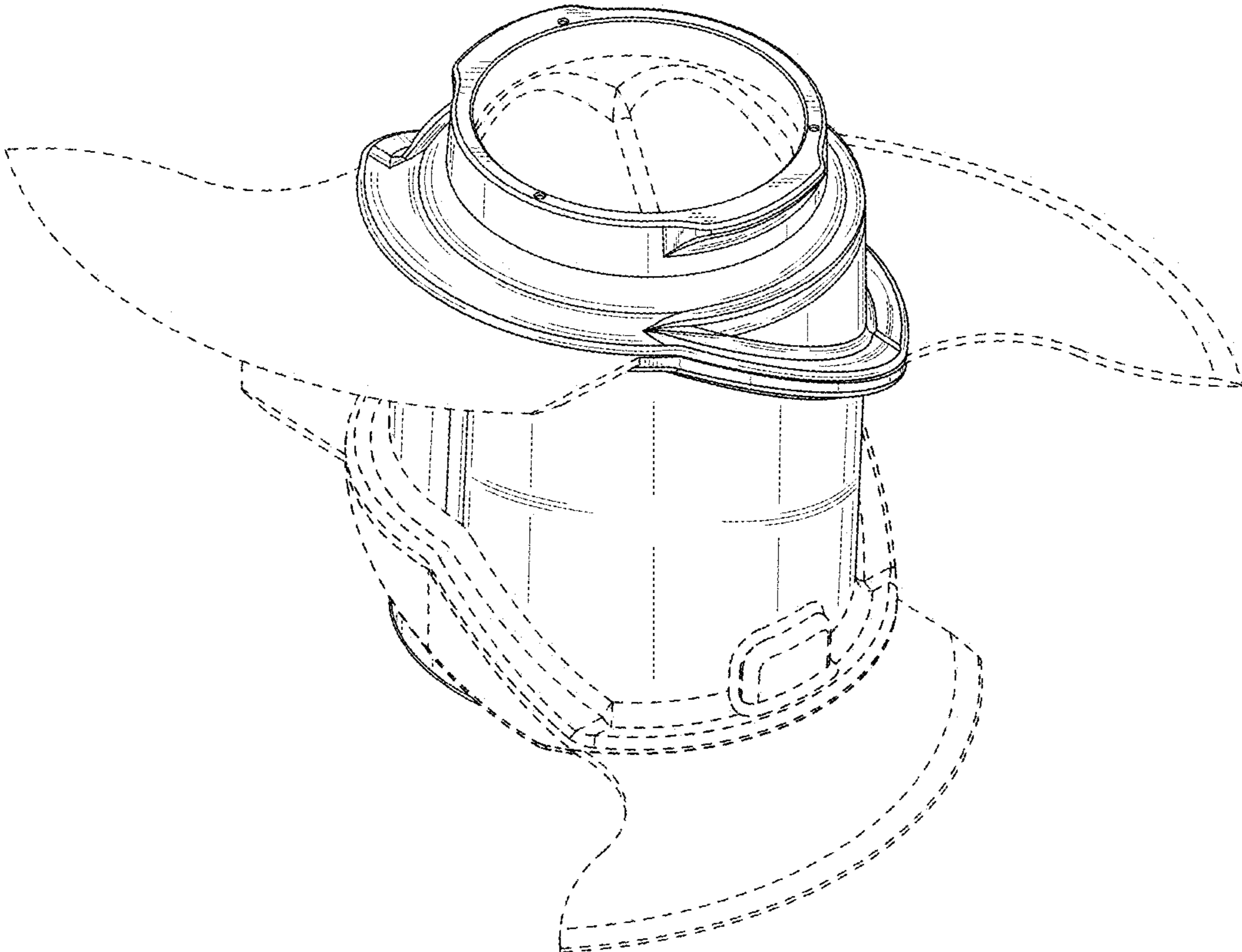


FIG. 1

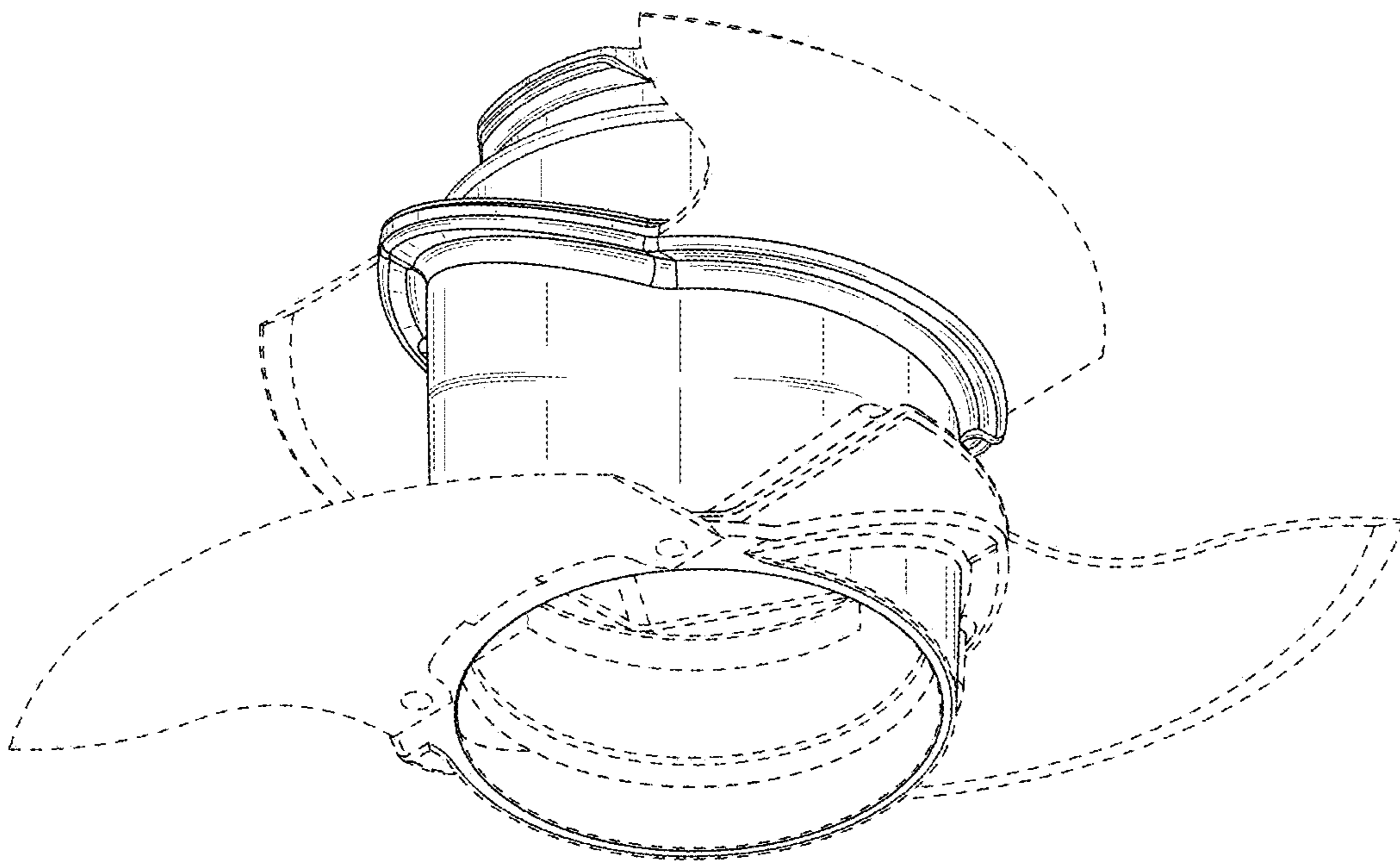


FIG. 2

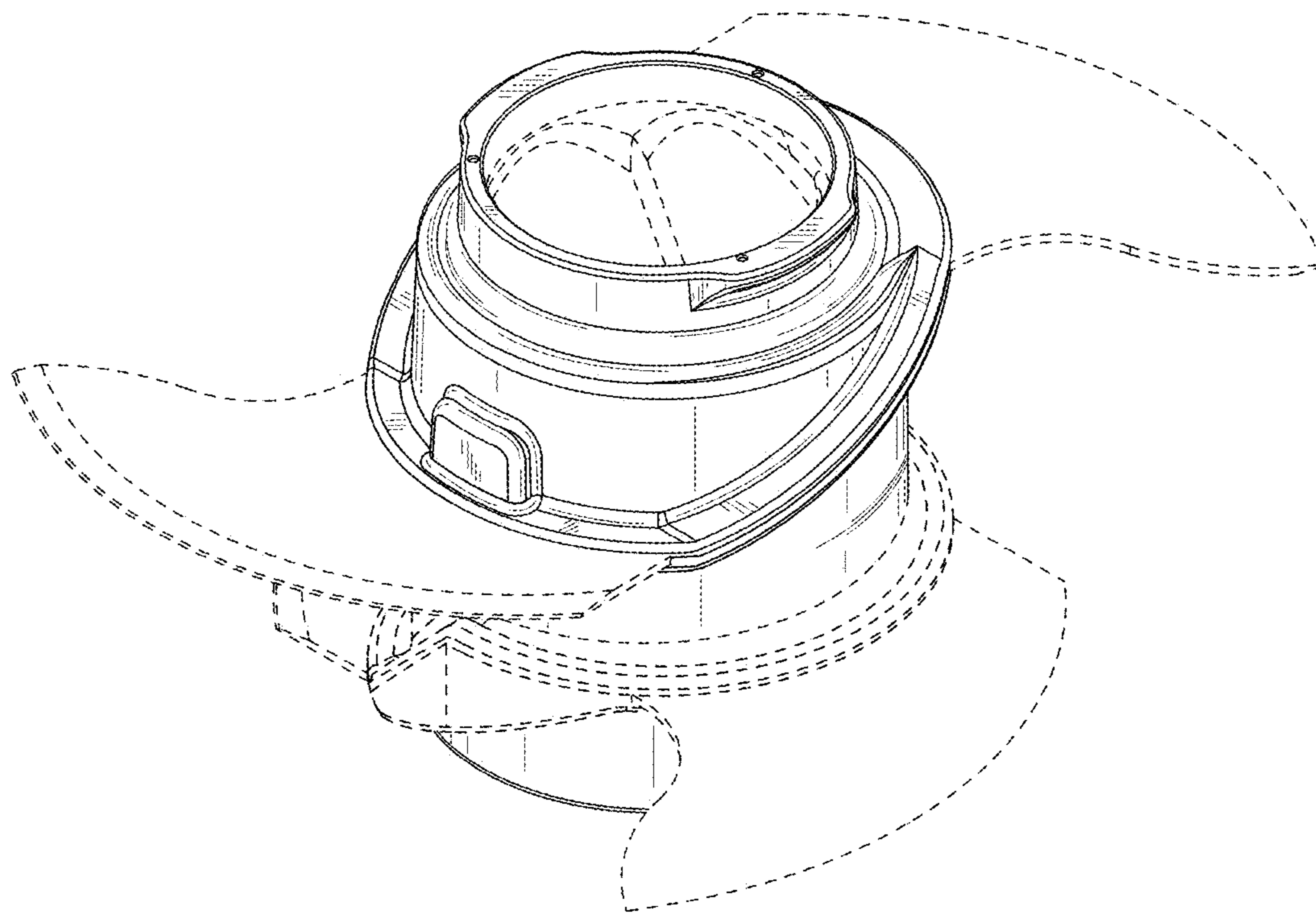


FIG. 3

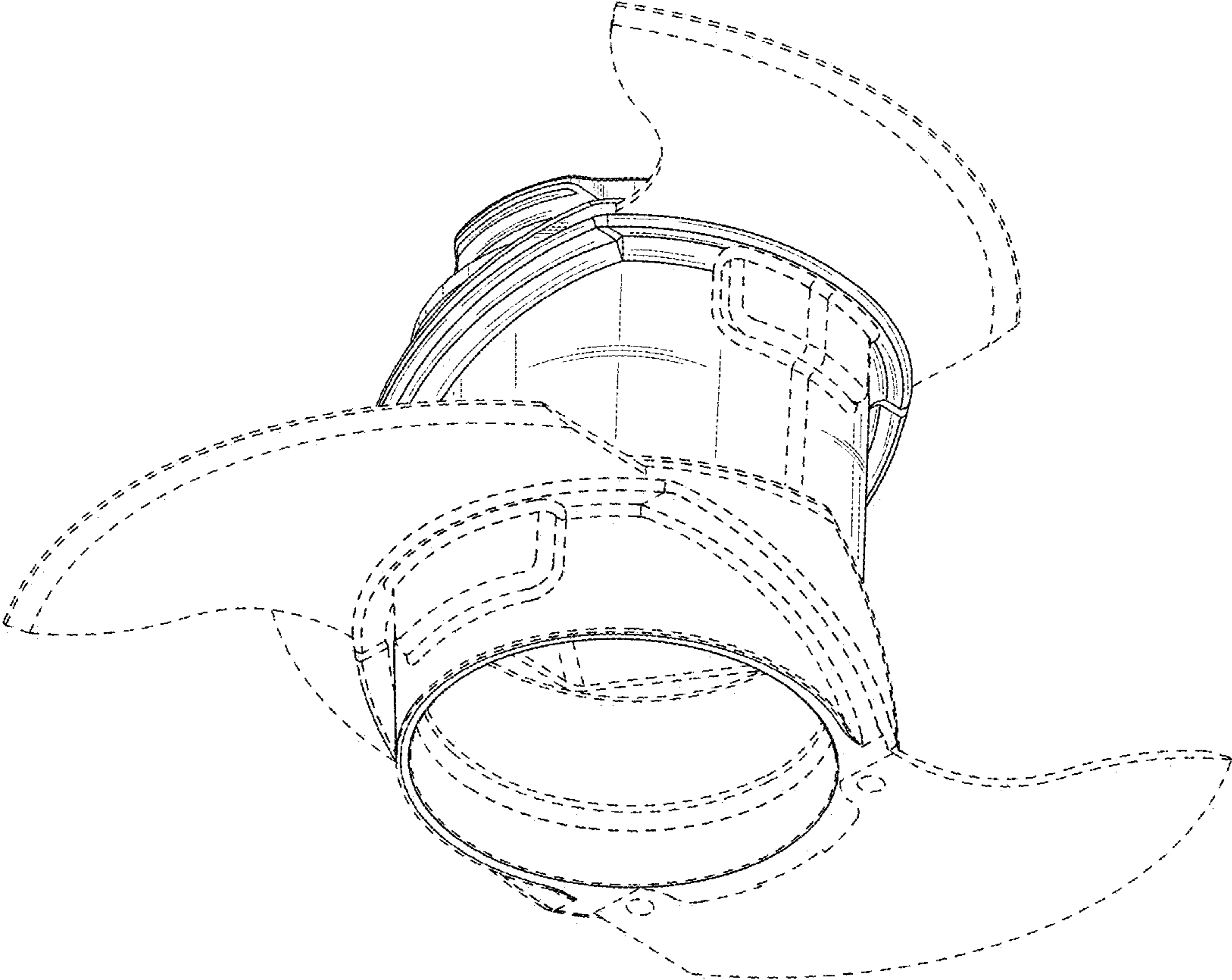


FIG. 4

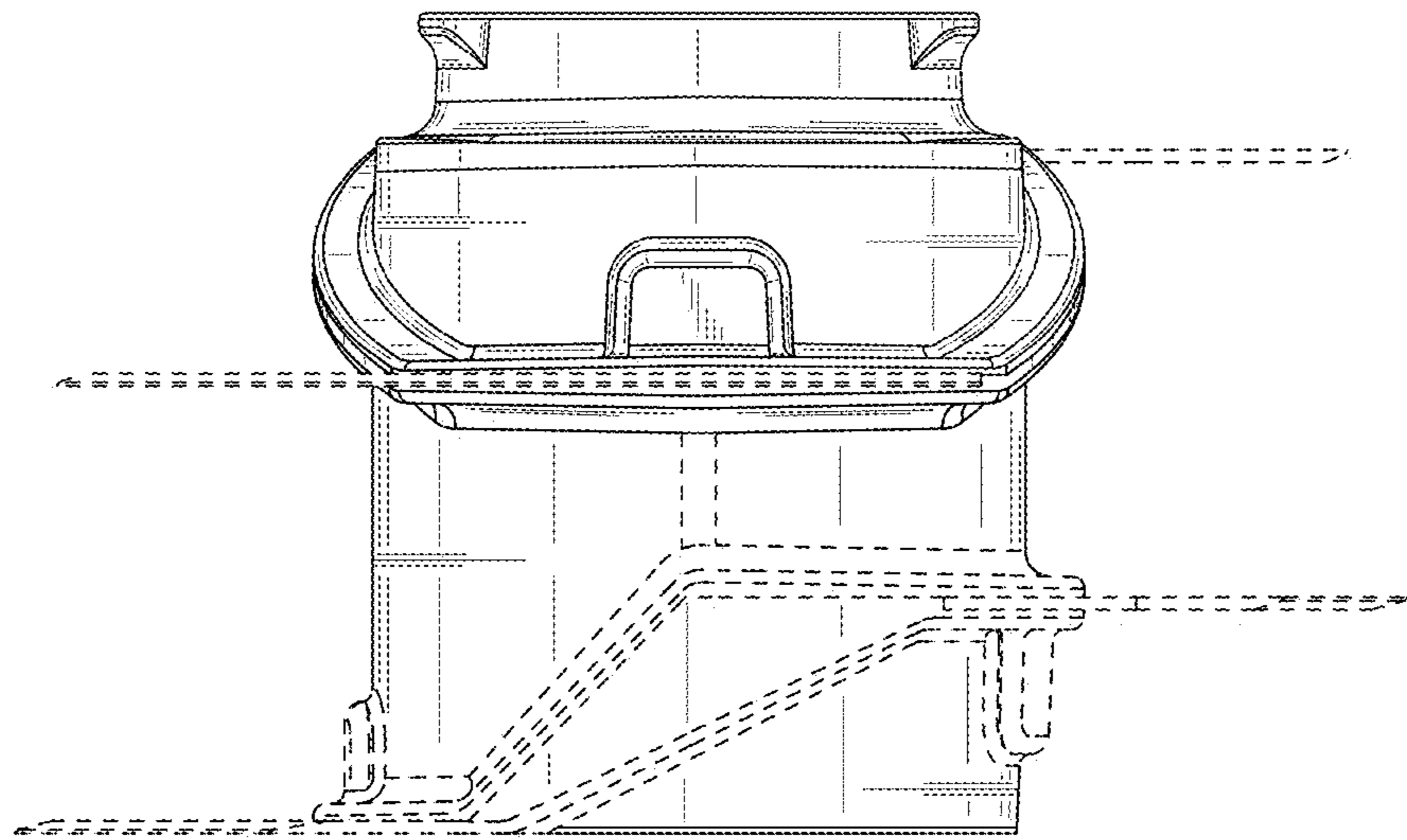


FIG. 5

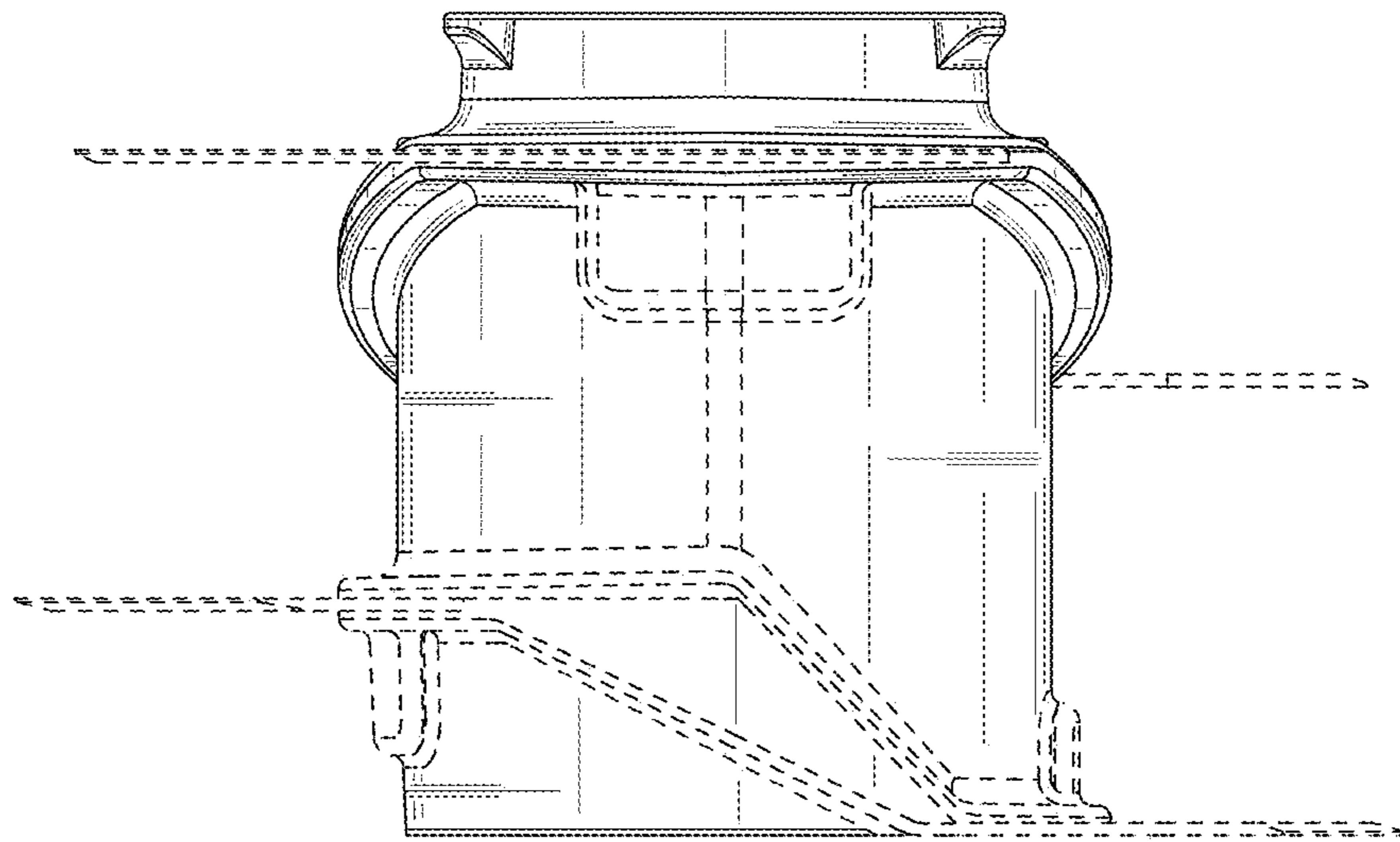


FIG. 6

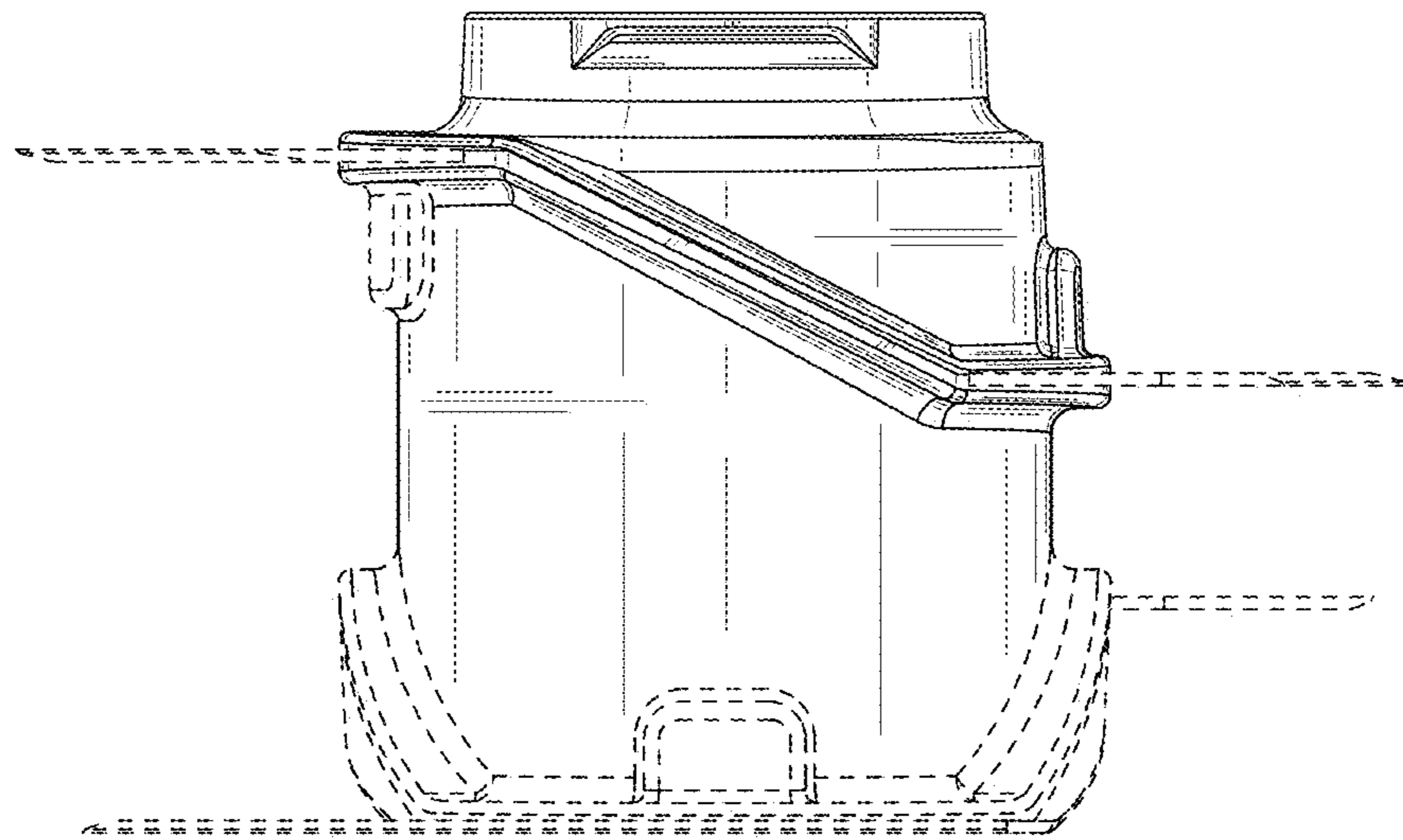


FIG. 7

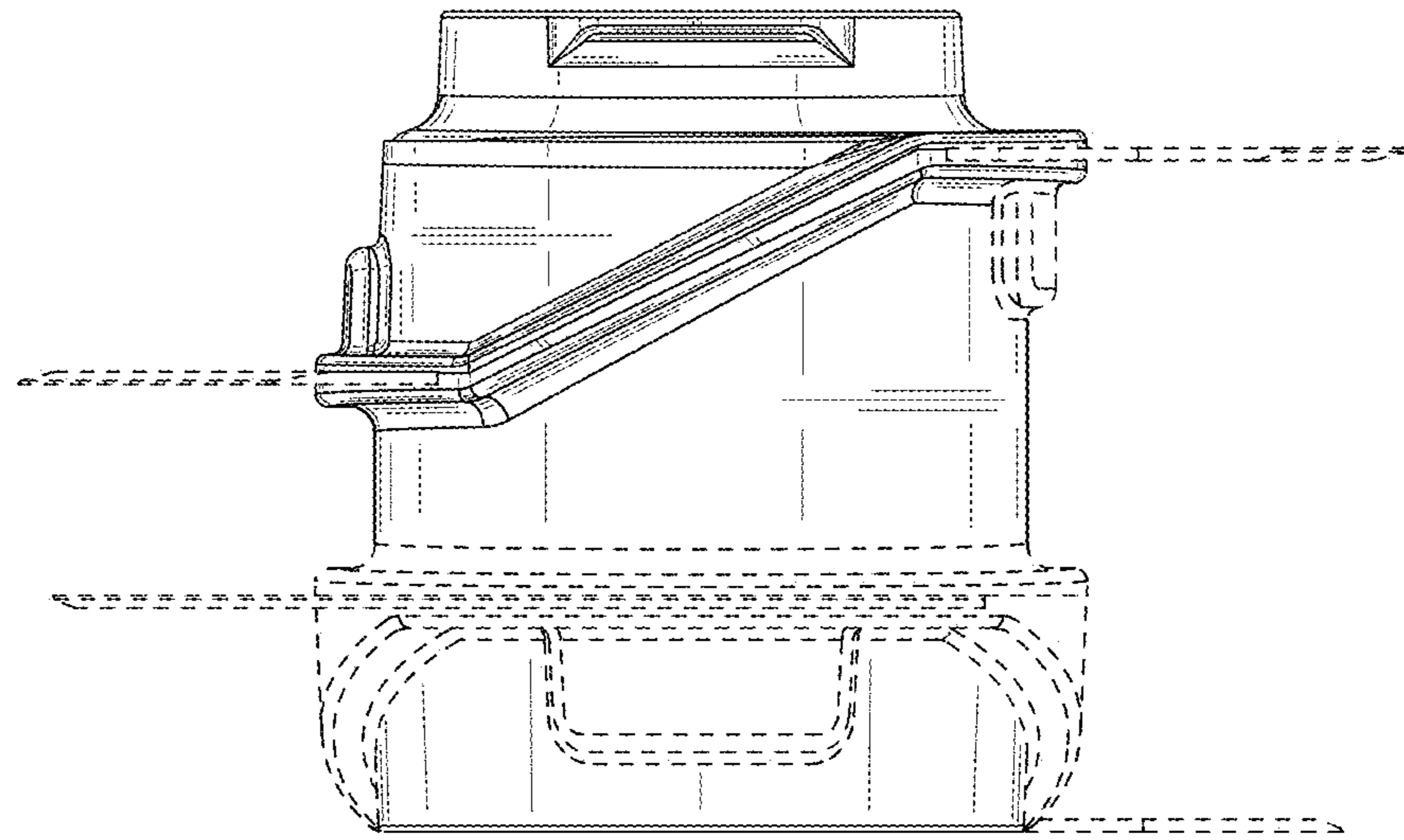


FIG. 8

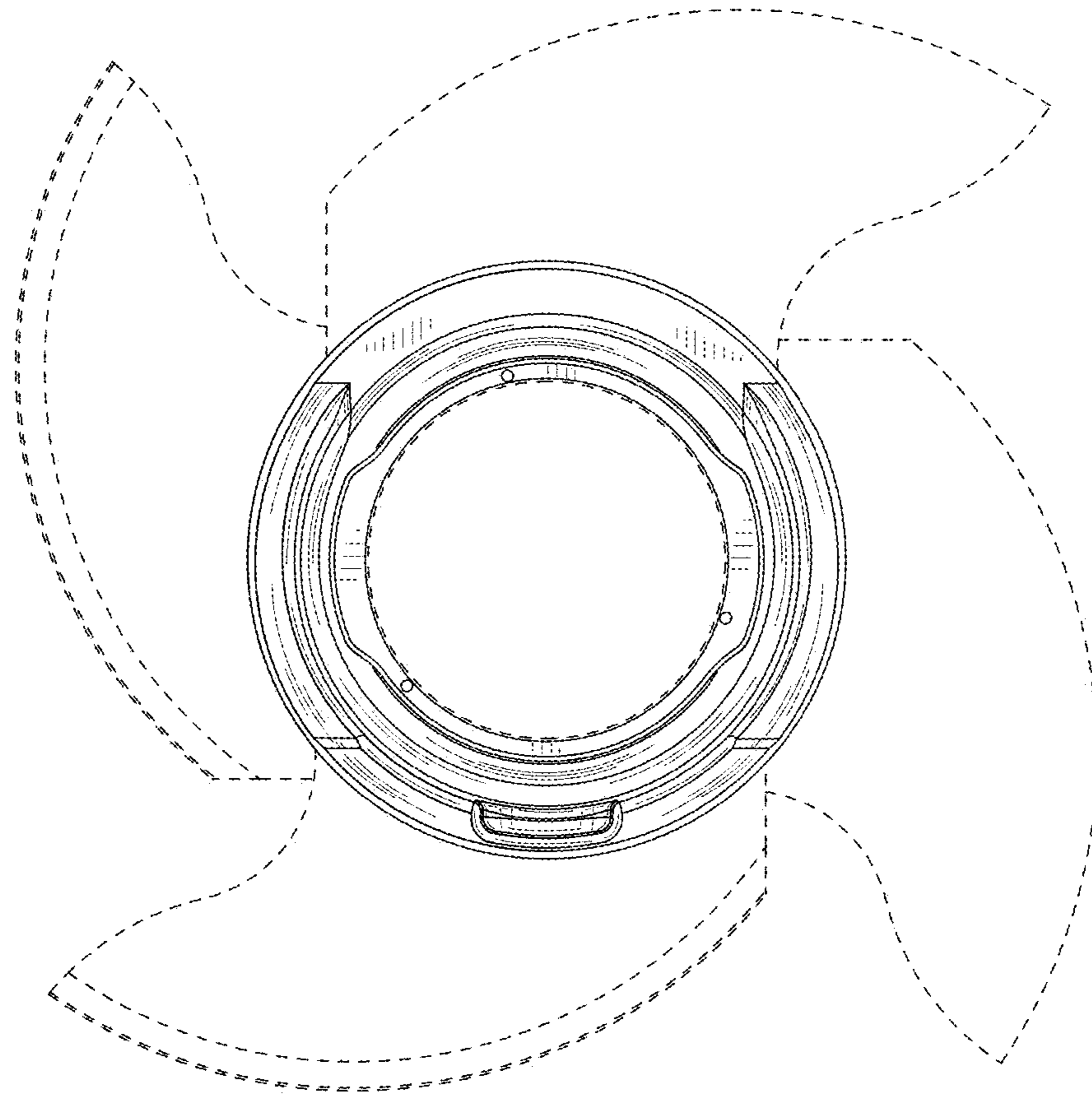


FIG. 9

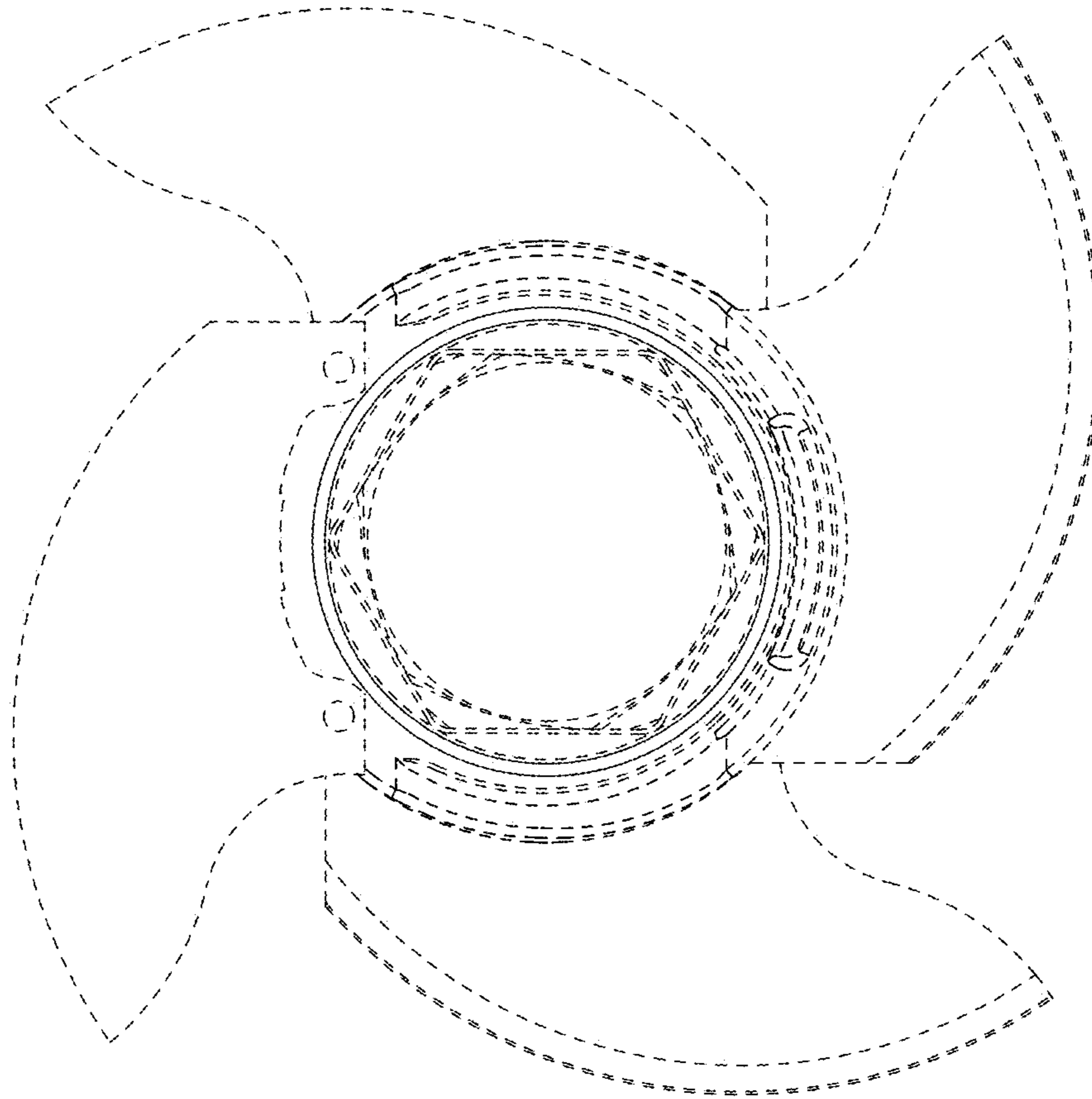


FIG. 10