



US00D947609S

(12) **United States Design Patent** (10) **Patent No.:** **US D947,609 S**
Amirault et al. (45) **Date of Patent:** **** Apr. 5, 2022**

(54) **STEAM STOPPER** 3,287,140 A * 11/1966 Brussell A47J 36/30
426/109
(71) Applicant: **Sterno Products, LLC.**, Corona, CA 3,371,659 A * 3/1968 Paspalas A47J 36/30
(US) 126/43
3,378,333 A 4/1968 Brite
(72) Inventors: **David Amirault**, Corona, CA (US); 3,489,880 A * 1/1970 Bloomfield A47J 36/2405
Steven Lee Cox, Corona, CA (US); 219/436
Paul Thomas Zink, Corona, CA (US);
Andrew Brent Mendenhall, Corona,
CA (US); **Dennis Matthew Turner**,
Corona, CA (US)

(Continued)

FOREIGN PATENT DOCUMENTS

FR 2659940 A1 9/1991
WO 2007098031 A2 8/2007
WO 2013069832 A1 5/2013

OTHER PUBLICATIONS

Amirault, David, Design U.S. Appl. No. 29/664,361 for Tray for a Chafing Pan, filed Sep. 24, 2018.

(Continued)

Primary Examiner — Ricky Pham

(74) *Attorney, Agent, or Firm* — Stetina Brunda Garred & Brucker

(73) Assignee: **STERNO PRODUCTS, LLC**, Corona, CA (US)

(**) Term: **15 Years**

(21) Appl. No.: **29/703,635**

(22) Filed: **Aug. 28, 2019**

(51) **LOC (13) Cl.** **07-02**

(52) **U.S. Cl.**
USPC **D7/409; D7/354**

(58) **Field of Classification Search**
USPC D7/323, 354–363, 391, 393–396, 409
CPC A47G 19/12; A47J 27/00; A47J 27/002;
A47J 27/08; A47J 27/21; A47J 27/58;
A47J 36/022; A47J 36/025; A47J 36/06;
A47J 36/10; A47J 36/12; A47J 36/24;
A47J 36/26; A47J 36/30; A47J 37/00;
A47J 37/10; A47J 37/101; A47J 37/103;
A47J 37/12; A47J 37/1204; A47J 45/061;
A47J 45/071; A47J 45/08; A47L 23/10;
B65D 81/3272; H05B 6/12; F23D 5/04;
F24C 5/02

See application file for complete search history.

(56) **References Cited**

U.S. PATENT DOCUMENTS

2,808,175 A * 10/1957 Aiken A47J 36/10
220/379
3,085,681 A * 4/1963 Fazzari B65D 81/3272
206/222

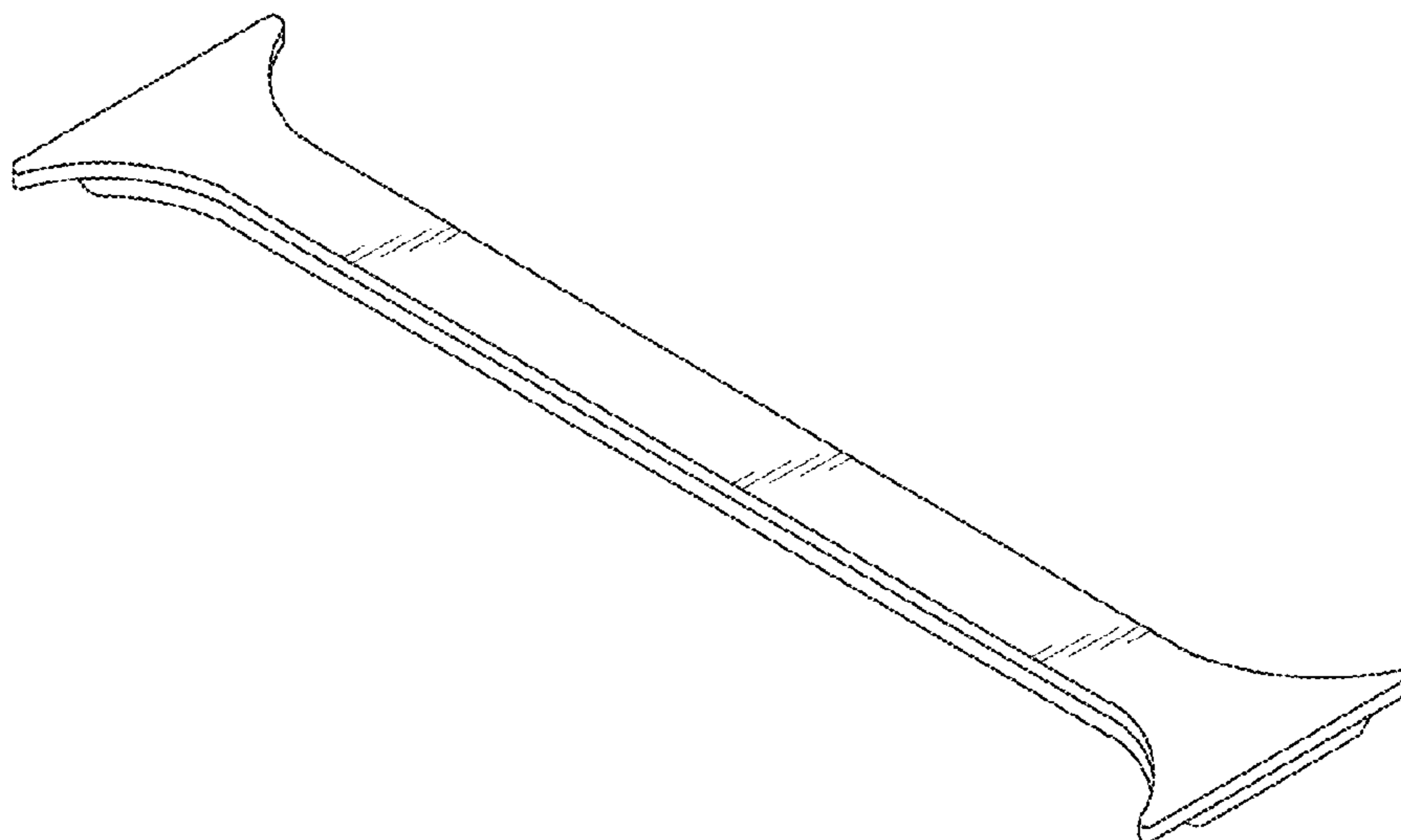
(57) **CLAIM**

The ornamental design for a steam stopper, as shown and described.

DESCRIPTION

FIG. 1 is a top perspective view of a steam stopper of this invention;
FIG. 2 is a bottom perspective view of the steam stopper of FIG. 1;
FIG. 3 is a top view of the steam stopper of FIG. 1;
FIG. 4 is a bottom view of the steam stopper of FIG. 1;
FIG. 5 is a side view of the steam stopper of FIG. 1, with the opposing side view being a mirror image thereof; and,
FIG. 6 is an end view of the steam stopper of FIG. 1, with the opposing end view being a mirror image thereof.

1 Claim, 2 Drawing Sheets



(56)

References Cited

U.S. PATENT DOCUMENTS

3,871,357	A	3/1975	Grosso et al.	
5,012,791	A *	5/1991	McCabe	A47J 36/26 126/214 D
5,117,809	A	6/1992	Scaringe et al.	
5,542,418	A	8/1996	James	
6,289,889	B1	9/2001	Bell et al.	
6,440,509	B1	8/2002	Littlejohn et al.	
6,488,023	B2 *	12/2002	Pecoskie	F24C 5/02 126/43
6,530,935	B2	3/2003	Wensel et al.	
7,025,055	B2	4/2006	Scudder et al.	
7,392,907	B2	7/2008	Herbert et al.	
7,651,290	B2 *	1/2010	Bauer	A47L 23/10 401/133
7,799,102	B2 *	9/2010	Weinberger	F23D 5/04 44/541
9,016,511	B2	4/2015	Widitora et al.	
9,435,567	B2	9/2016	Ra	
9,731,879	B2	8/2017	Sheldon et al.	

9,851,125	B2	12/2017	Arnold
2015/0017287	A1	1/2015	Sevim
2015/0136633	A1	5/2015	Sarnoff et al.
2017/0326618	A1	11/2017	Sarnoff et al.
2018/0092493	A1	4/2018	Hale et al.

OTHER PUBLICATIONS

Amirault, David, Design U.S. Appl. No. 29/664,362 for Chafing Pan, filed Sep. 24, 2018.

Amirault, David, Design U.S. Appl. No. 29/664,631 for Tray for a Chafing Pan, filed Sep. 26, 2018.

Amirault, David, U.S. Appl. No. 16/402,053 for Chemically Heated Food Containers, filed May 2, 2019.

Amirault, David, Design U.S. Appl. No. 29/715,624 for Chafing Pan, filed Dec. 3, 2019.

Amirault, David, et al. Design U.S. Appl. No. 29/703,633 for Support Pan, filed Aug. 28, 2019.

Amirault, David, et al. U.S. Appl. No. 16/559,499 for Chaffing Dish Assembly Having Support Pan and Stopper Rail, filed Sep. 3, 2019.

* cited by examiner

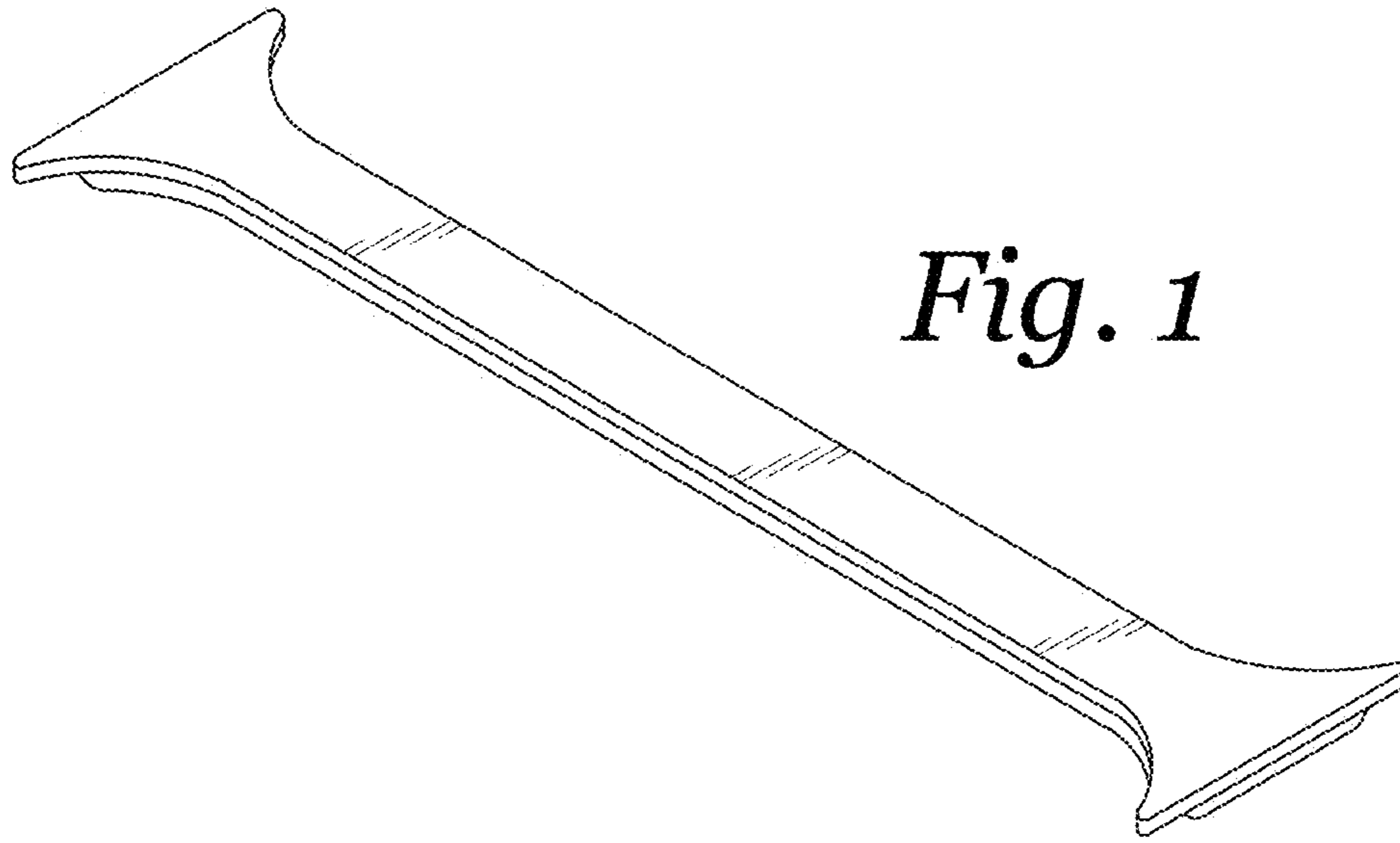


Fig. 1

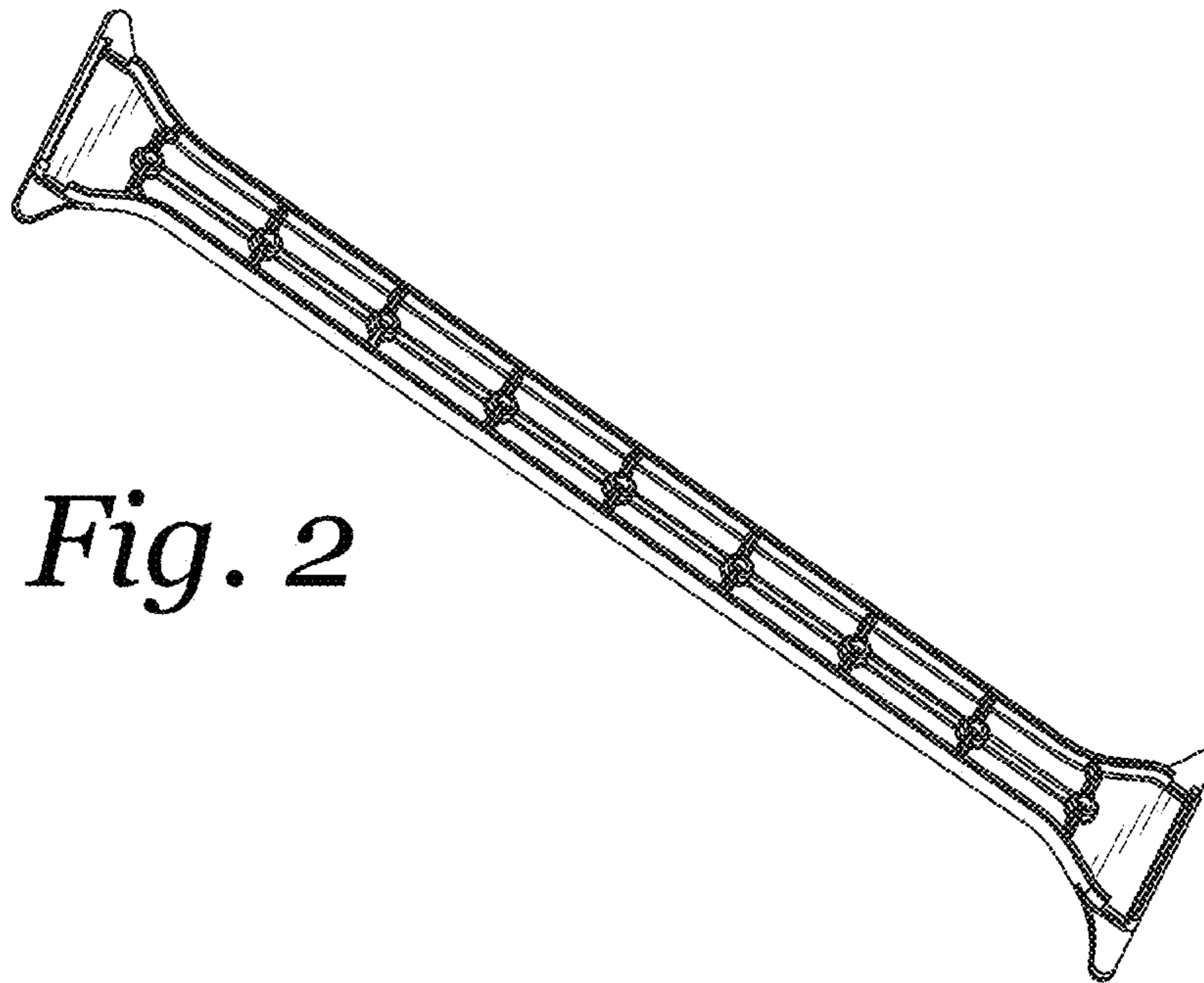


Fig. 2

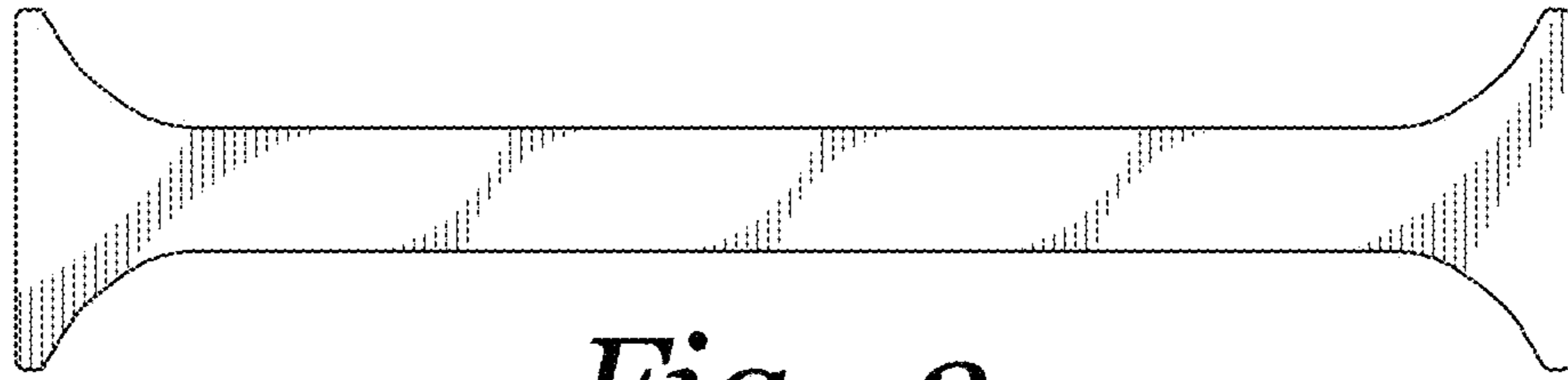


Fig. 3

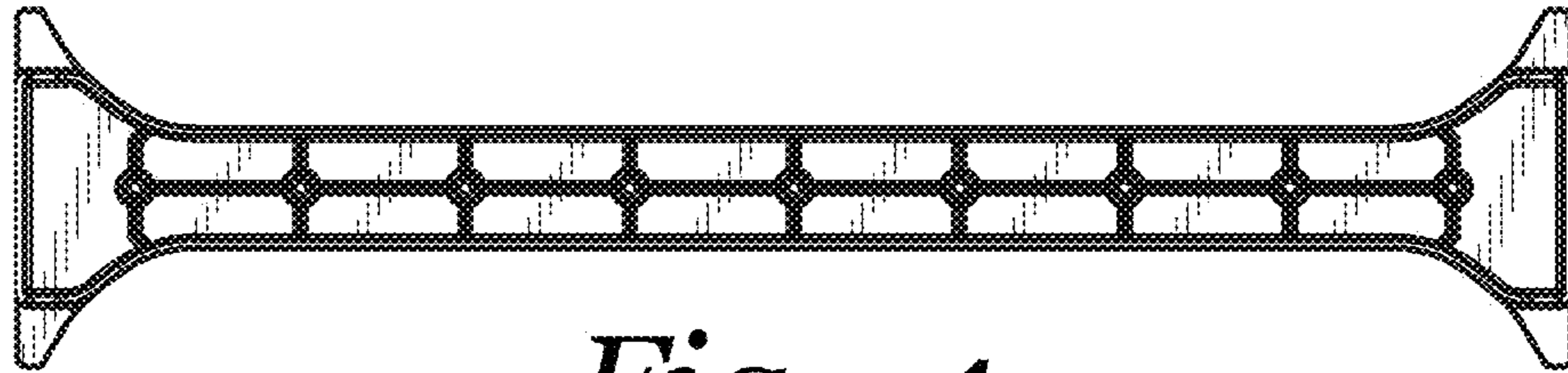


Fig. 4



Fig. 5



Fig. 6