



US00D947607S

(12) **United States Design Patent** (10) **Patent No.:** **US D947,607 S**
Geissler et al. (45) **Date of Patent:** **** Apr. 5, 2022**

(54) **APPLIANCE HEAT CONTROLLER**

- (71) Applicant: **National Presto Industries, Inc.**, Eau Claire, WI (US)
- (72) Inventors: **Ryan J. Geissler**, Eau Claire, WI (US); **Alexander J. Greene**, Eau Claire, WI (US); **Justun C. Seymour**, Eau Claire, WI (US)
- (73) Assignee: **National Presto Industries, Inc.**, Eau Claire, WI (US)

(**) Term: **15 Years**

(21) Appl. No.: **29/639,856**

(22) Filed: **Mar. 9, 2018**

(51) **LOC (13) Cl.** **07-02**

(52) **U.S. Cl.**
USPC **D7/407; D10/50**

(58) **Field of Classification Search**
USPC D23/322, 314; D10/49, 50; D7/363, D7/407, 402
CPC A47J 37/0664; A47J 37/1266
See application file for complete search history.

(56) **References Cited**

U.S. PATENT DOCUMENTS

| | | | | |
|-------------------|---------|------------|-------|----------------------|
| D179,557 S * | 1/1957 | Boldt | | D10/50 |
| D186,318 S * | 10/1959 | Wickenberg | | D10/50 |
| D228,461 S * | 9/1973 | Boldt | | D10/50 |
| D248,017 S * | 5/1978 | Boldt | | D10/50 |
| D422,516 S * | 4/2000 | Coleman | | D10/50 |
| D487,021 S * | 2/2004 | Chen | | D10/50 |
| D575,098 S * | 8/2008 | Seymour | | D7/363 |
| D866,712 S * | 11/2019 | Moy | | D23/233 |
| D893,677 S * | 8/2020 | Moy | | D23/233 |
| D910,149 S * | 2/2021 | Moy | | D23/233 |
| 2004/0016348 A1 * | 1/2004 | Sharpe | | A47J 37/10 99/331 |
| 2016/0255997 A1 * | 9/2016 | Romandy | | A47J 37/0664 |

OTHER PUBLICATIONS

- Product Bulletin, Control Master® heat control, 2018, 1 page.
- Presto Genuine Replacement Pressure Cooker Probe #09984, 2018, 6 pages.
- Factory Services CO-PR3F Replacement Probe Control, 2018, 7 pages.
- Presto 09984 Probe Heat Control Replacement Fits Multi Cooker-by-Presto, 2018, 5 pages.
- Presto 06900 Electric Griddle Heat Control, 2018, 8 pages.
- Sunbeam Mod. RC 1550W 120V Temperature Control, 2018, 4 pages.

* cited by examiner

Primary Examiner — Ania Aman

(57) **CLAIM**

We claim the ornamental design for an appliance heat controller, as shown and described.

DESCRIPTION

FIG. 1 is a top view of an appliance heat controller showing our new design.

FIG. 2 is a left side view of the appliance heat controller depicted in FIG. 1.

FIG. 3 is a right side view of the appliance heat controller depicted in FIG. 1.

FIG. 4 is a bottom view of the appliance heat controller depicted in FIG. 1.

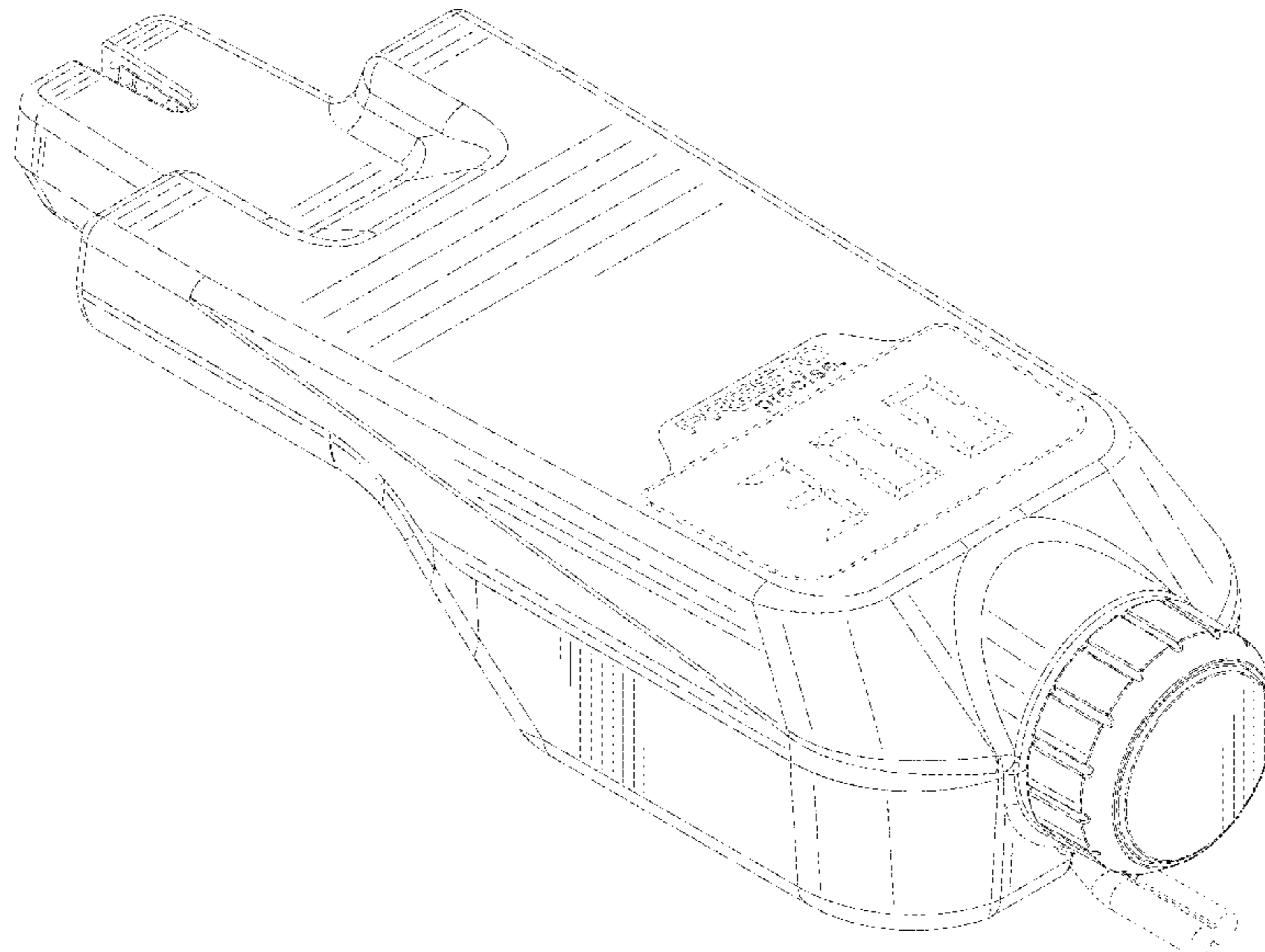
FIG. 5 is a rear view of the appliance heat controller depicted in FIG. 1.

FIG. 6 is a front view of the appliance heat controller depicted in FIG. 1; and,

FIG. 7 is a top, front perspective view of the appliance heat controller depicted in FIG. 1.

The broken lines shown in the drawings are included for the purpose of illustrating portions of the article that form no part of the claimed design.

1 Claim, 7 Drawing Sheets



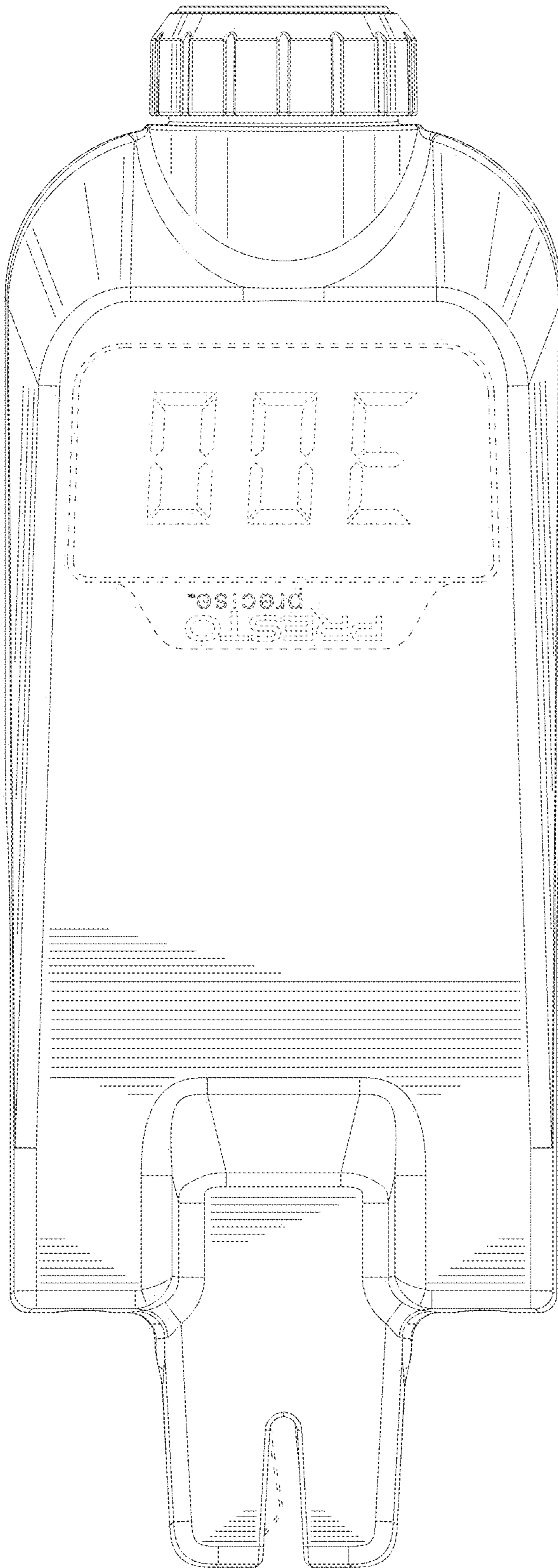


Fig. 1

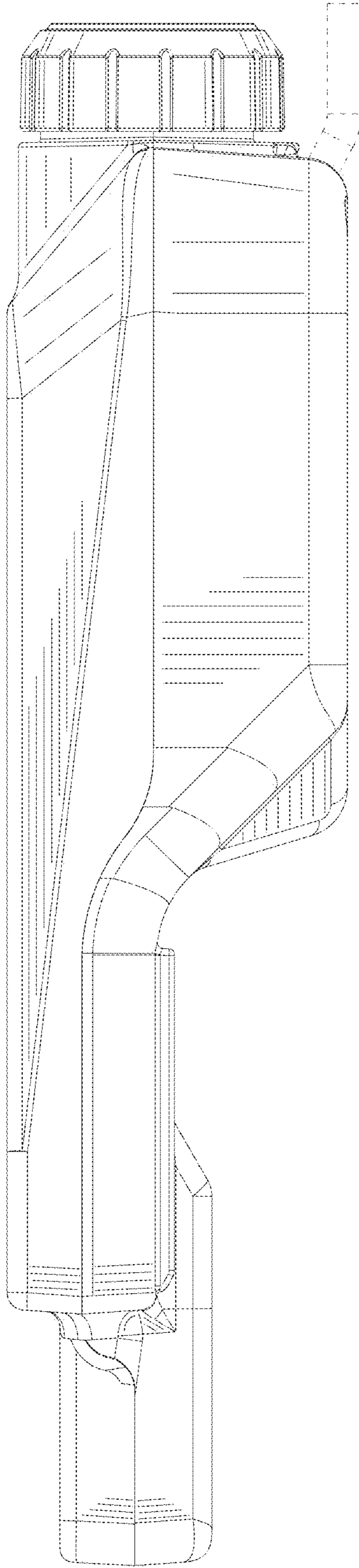


Fig. 2

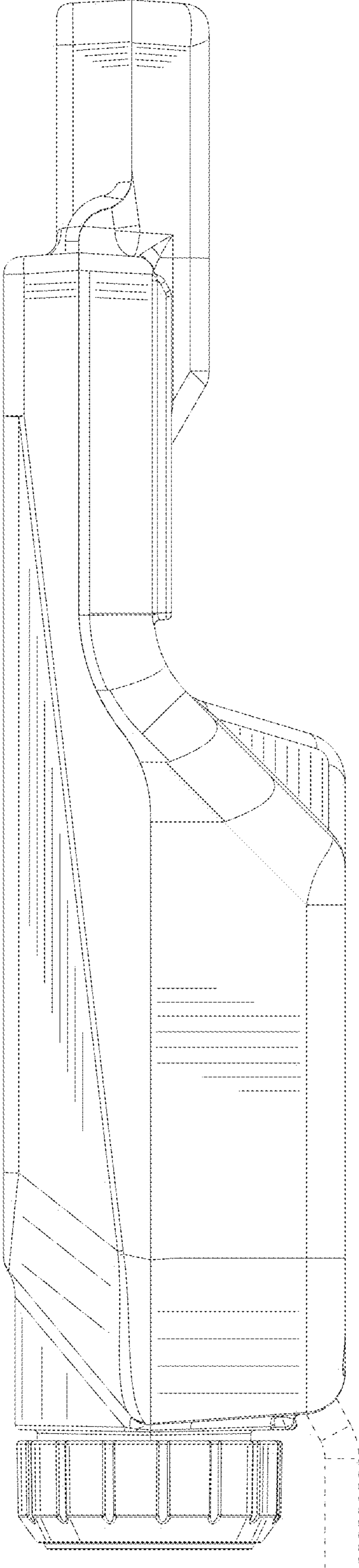


Fig. 3

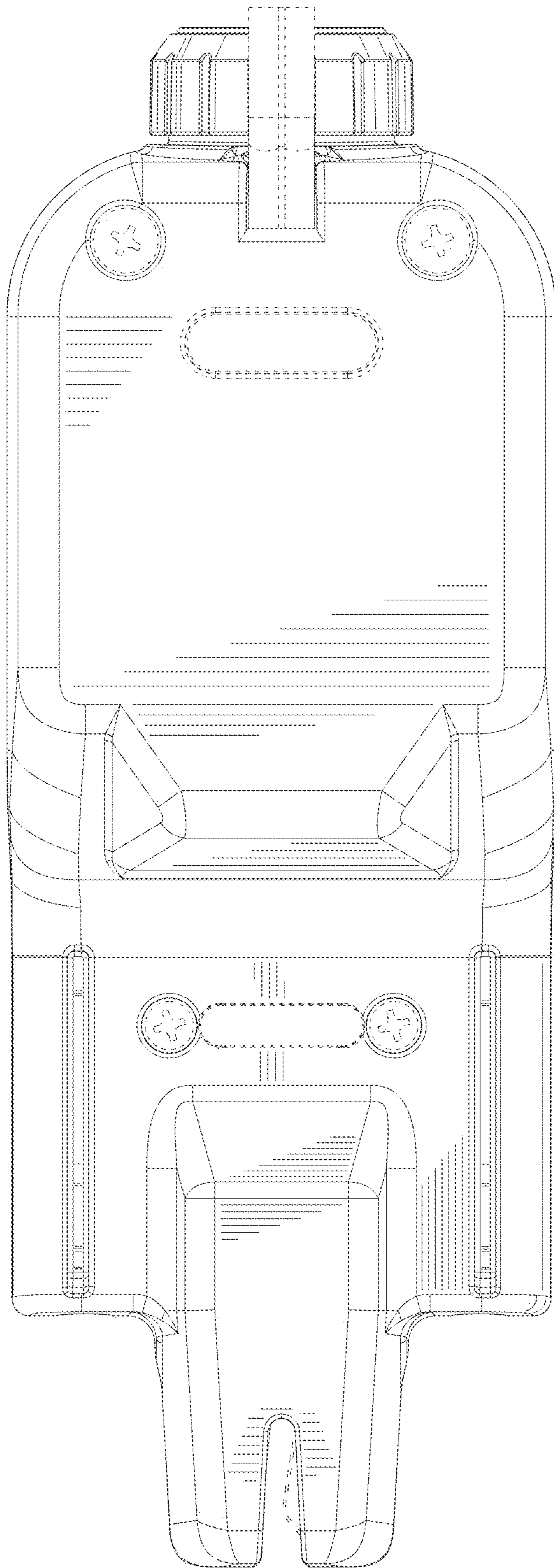


Fig. 4

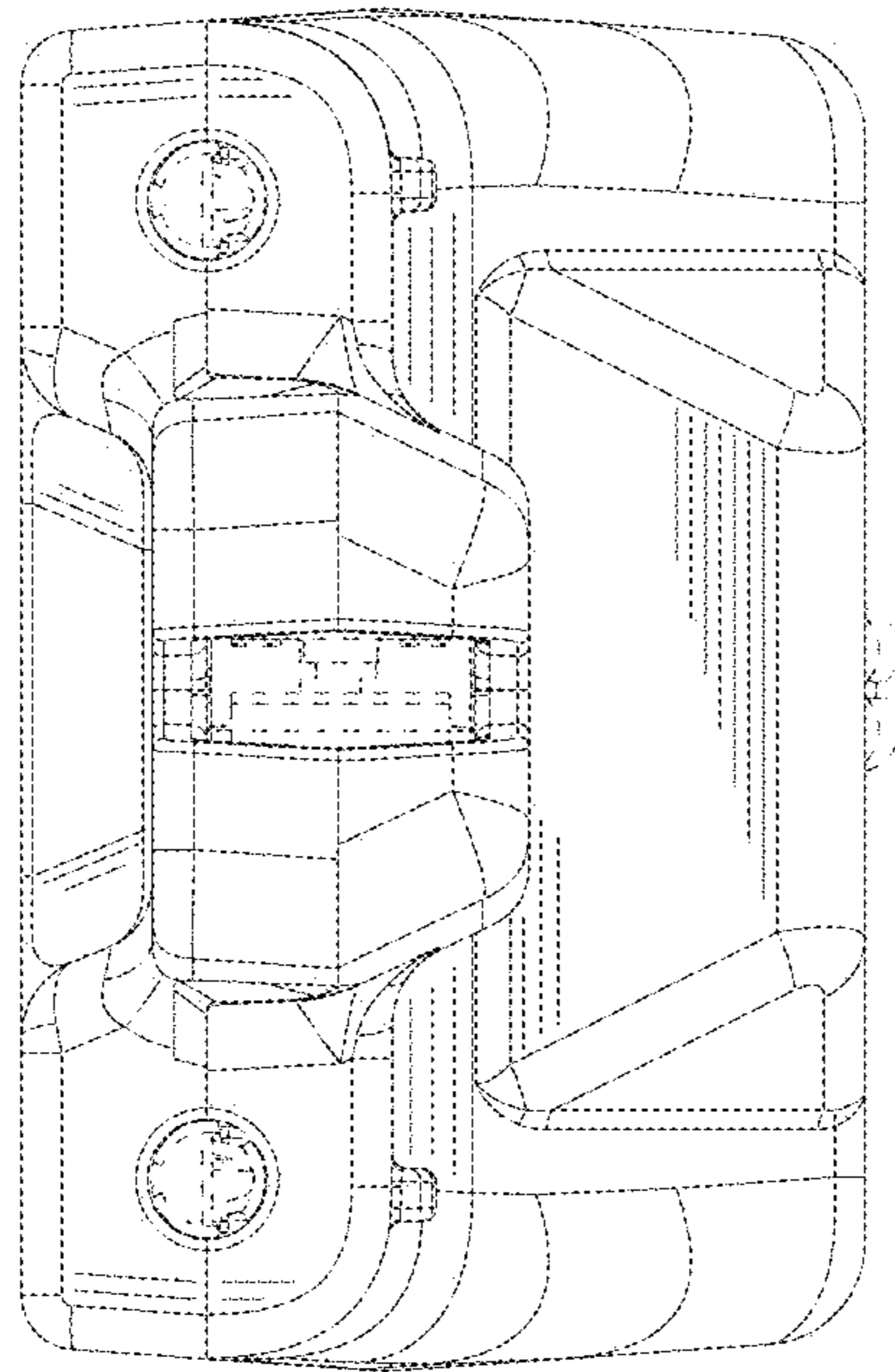


Fig. 5

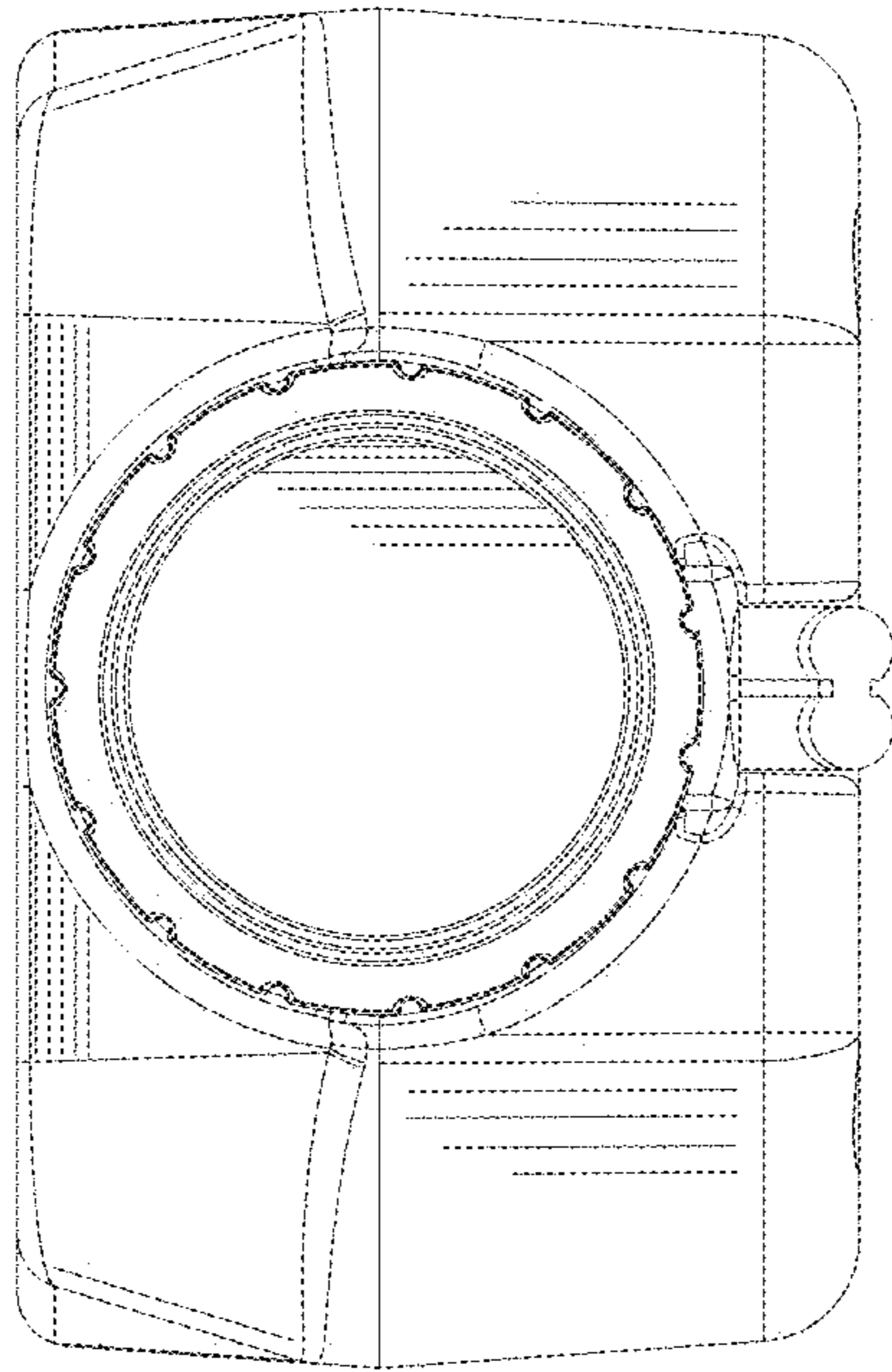


Fig. 6

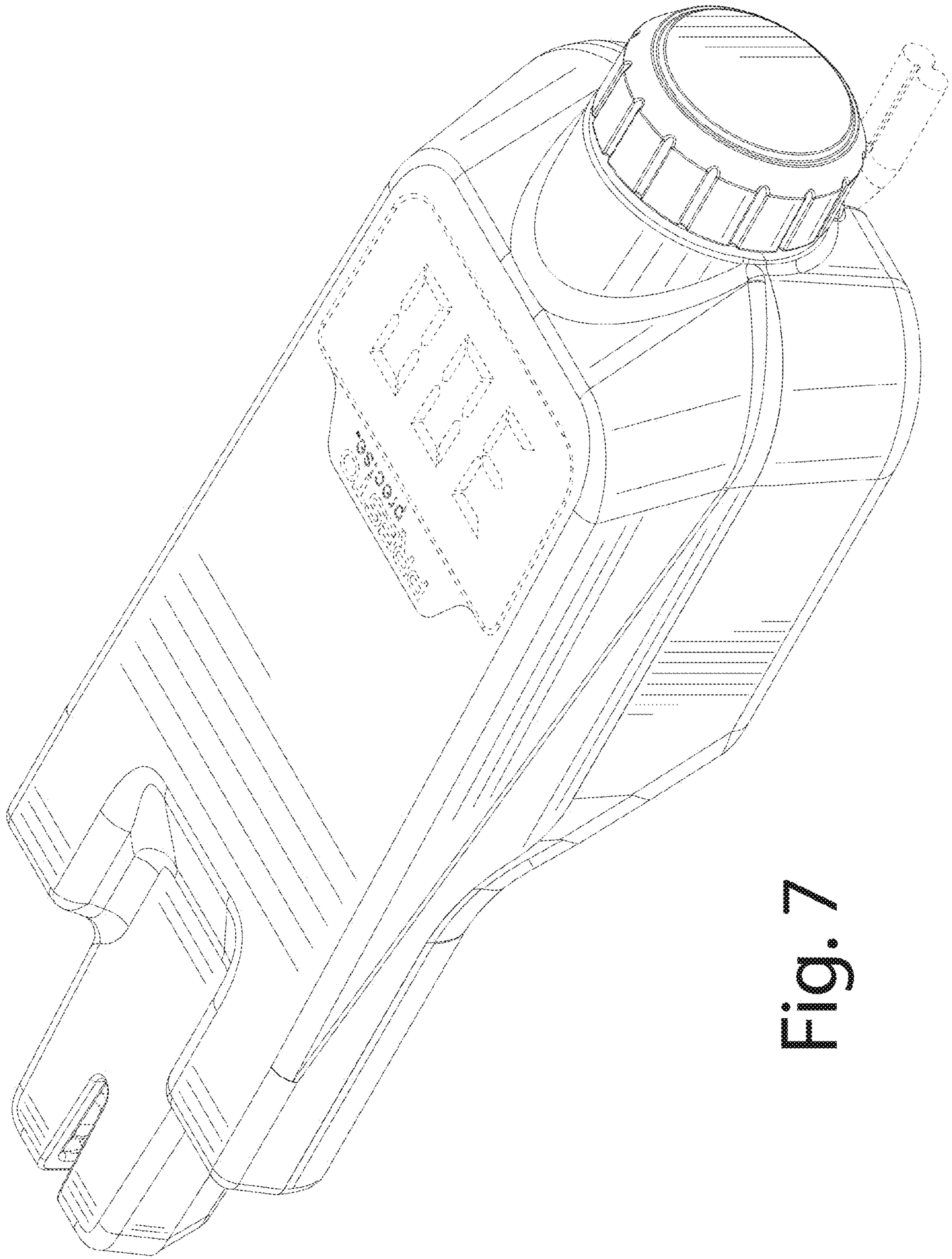


Fig. 7