



US00D947606S

(12) **United States Design Patent**
Kurmlavage

(10) **Patent No.:** **US D947,606 S**

(45) **Date of Patent:** **** Apr. 5, 2022**

(54) **ROLLER GRILL ASSEMBLY CANOPY**

(71) Applicant: **Spirit Specialty Solutions, Inc.**,
Broomall, PA (US)

(72) Inventor: **Michael M Kurmlavage**, Monroeville,
NJ (US)

(**) Term: **15 Years**

(21) Appl. No.: **29/679,045**

(22) Filed: **Feb. 1, 2019**

(51) **LOC (13) Cl.** **07-99**

(52) **U.S. Cl.**
USPC **D7/402; D6/699.3**

(58) **Field of Classification Search**
USPC D7/323, 331, 334, 338, 339, 340, 341,
D7/347, 348, 350.1, 350.3, 350.4, 351,
D7/362, 363, 364, 365, 402-409;
D23/314, 322, 323, 329, 330, 341;
D15/122, 138, 141, 144, 199; D8/311,
D8/312, 315, 316, 333, 334; D3/203.1;
D6/672, 675, 702, 703, 559, 663, 699.1,
D6/699.2, 699.3, 699.4, 699.5, 705.5;
D21/523, 524, 525, 561; D9/414, 456;
D99/28, 43
CPC . H05B 6/12; H05B 6/64; H05B 6/806; H05B
6/6426; H05B 6/6412; A21B 1/52; A21B
1/00; A47J 37/00; A47J 37/0763; A47J
37/36; F24C 15/08; F24C 15/2042; F27D
9/00; F27D 2009/0018; F27D 2009/004;
F27B 2014/0837

See application file for complete search history.

(56) **References Cited**

U.S. PATENT DOCUMENTS

D85,013 S * 9/1931 Teller et al. D7/341
D148,943 S * 3/1948 Nassif D7/365
D190,609 S * 6/1961 Campbell D7/350.4
D190,982 S * 7/1961 Boldt D7/323
D195,754 S * 7/1963 Rawson D7/350.4

D546,596 S * 7/2007 McDermott D6/699.5
D562,629 S * 2/2008 Chau D7/402
D575,560 S * 8/2008 English D6/699.5
D613,970 S * 4/2010 Switzer D6/699.5
D614,890 S * 5/2010 Matus, Jr. D6/699.4
D614,891 S * 5/2010 Matus, Jr. D6/699.4
D627,189 S * 11/2010 Deman D7/362
D641,582 S * 7/2011 Nicolosi D7/334
D651,455 S * 1/2012 Lee D7/402
D656,786 S * 4/2012 Lockhart D7/402

(Continued)

OTHER PUBLICATIONS

Sneeze Guard for Roller Grill: Site Visited [Feb. 24, 2020]. Avail-
able from Internet URL: <https://www.foodsignpros.com/Roller-Grill-Sneeze-Guard-p/canopy50alumpoly.htm>.*

Primary Examiner — Catherine S Posthauer
(74) *Attorney, Agent, or Firm* — Daniel Enea; Jordan
Sworen; Argus Intellectual Enterprise

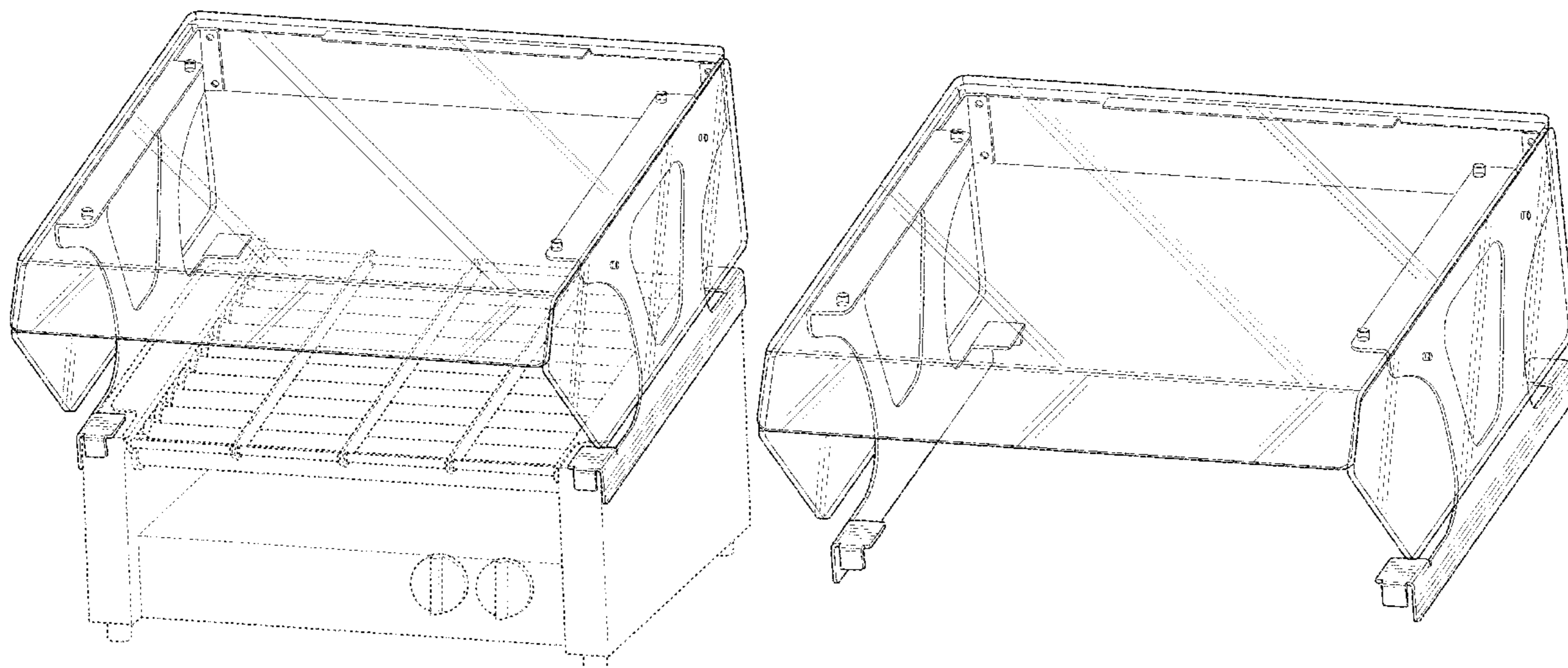
(57) **CLAIM**

The ornamental design for a roller grill assembly canopy, as
shown and described.

DESCRIPTION

FIG. 1 is a front perspective view of a roller grill assembly
canopy showing my new design shown in a position of use
with an exemplary roller grill assembly;
FIG. 2 is a front perspective view thereof, shown with the
exemplary roller grill assembly removed to show aspects of
the design not visible whe combined;
FIG. 3 is a left side view thereof;
FIG. 4 is a right side view thereof;
FIG. 5 is a front view thereof,
FIG. 6 is a rear view thereof;
FIG. 7 is a top view thereof; and,
FIG. 8 is a bottom view thereof.
The broken lines are shown for the purpose of illustrating
parts of the article that form no part of the claim.

1 Claim, 8 Drawing Sheets



(56)

References Cited

U.S. PATENT DOCUMENTS

D737,096 S * 8/2015 Lee D7/402
D737,627 S * 9/2015 Goldenstein D7/402
D769,065 S * 10/2016 Wilgus D7/402
D812,424 S * 3/2018 Nilssen D7/402
D825,251 S * 8/2018 Schrepfer D7/350.1
2002/0014162 A1* 2/2002 Huegerich A47J 36/06
99/427
2011/0206818 A1* 8/2011 Walters A47J 37/00
426/523
2016/0348921 A1* 12/2016 Villasenor F24C 15/2042

* cited by examiner

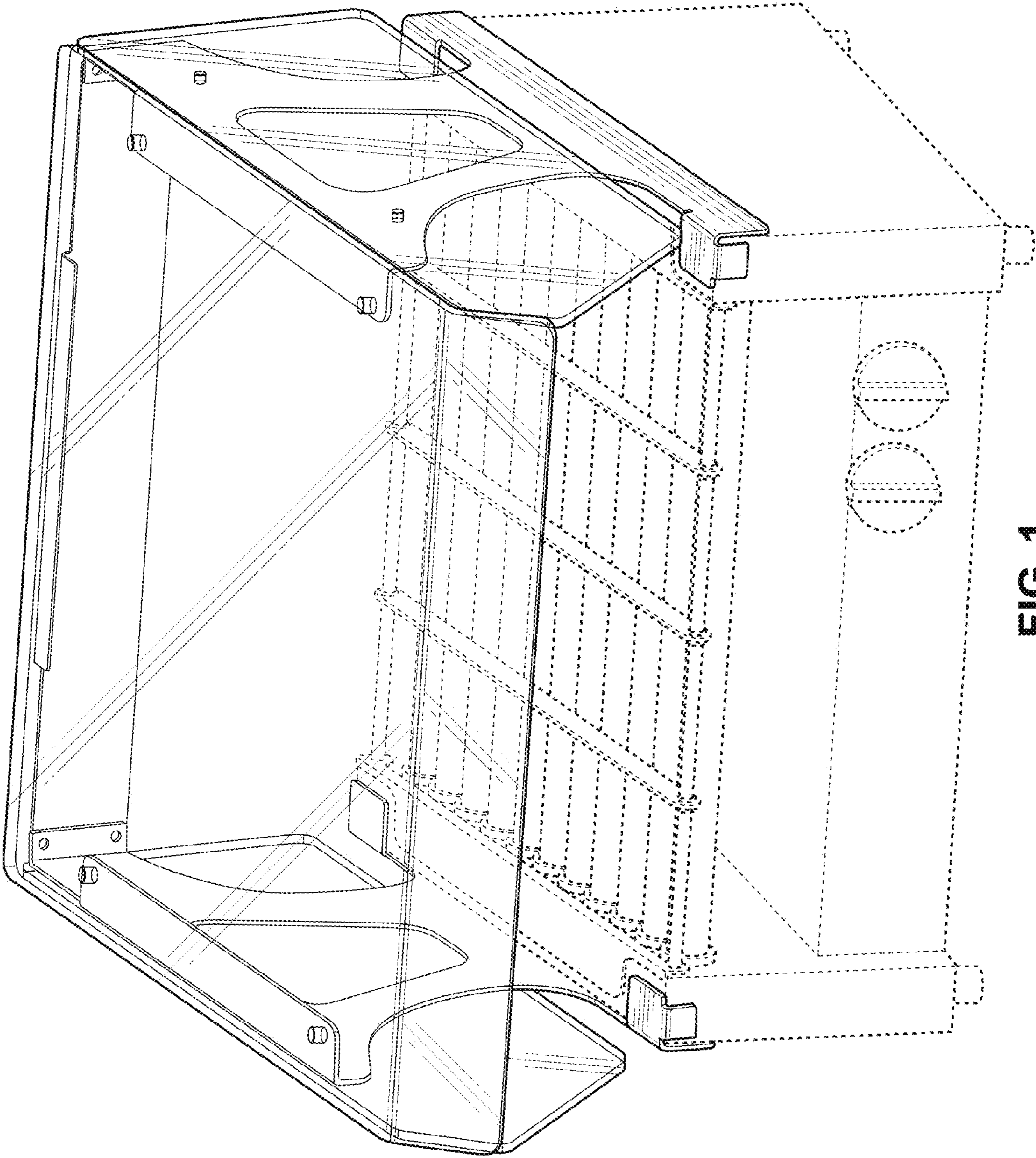


FIG. 1

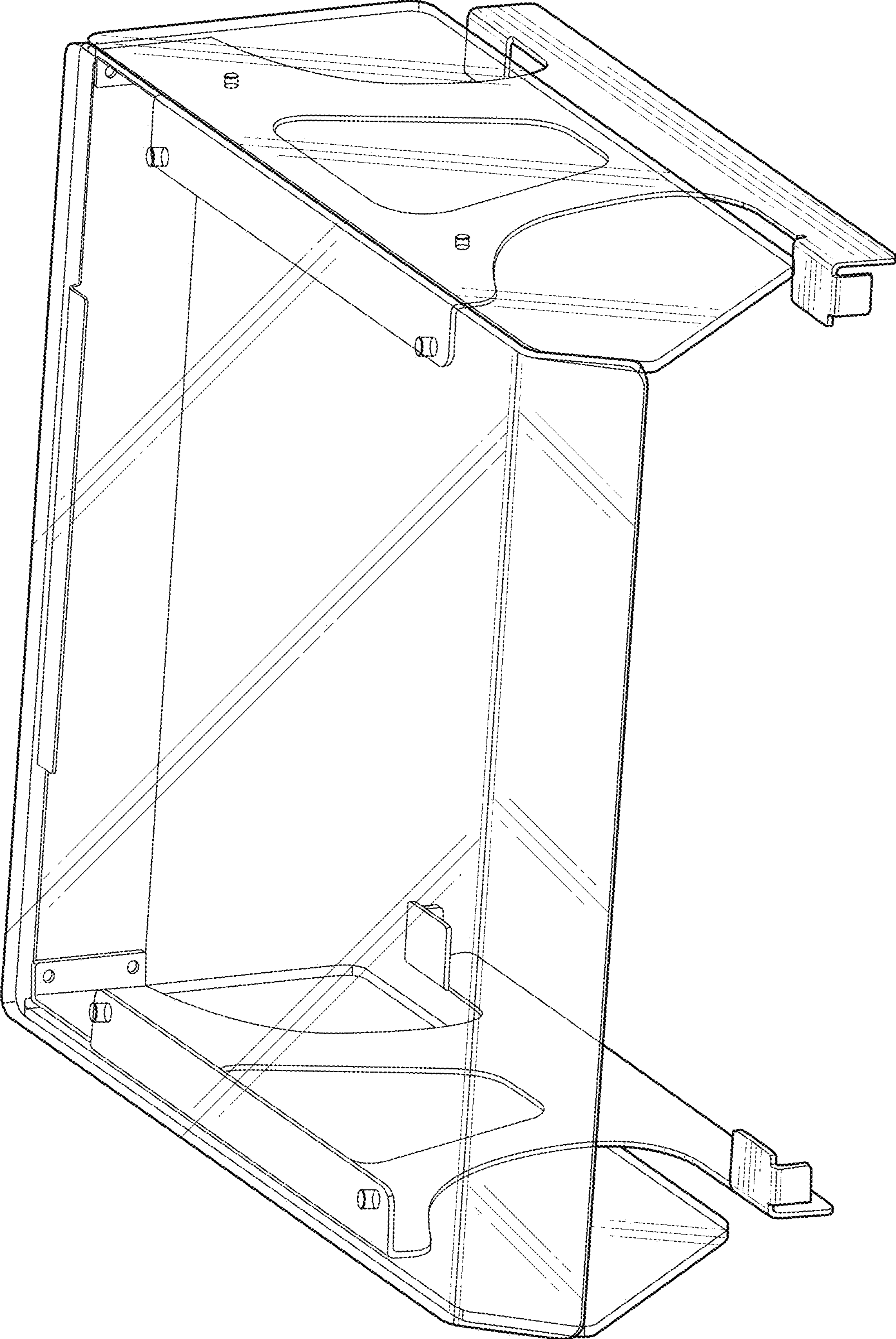


FIG. 2

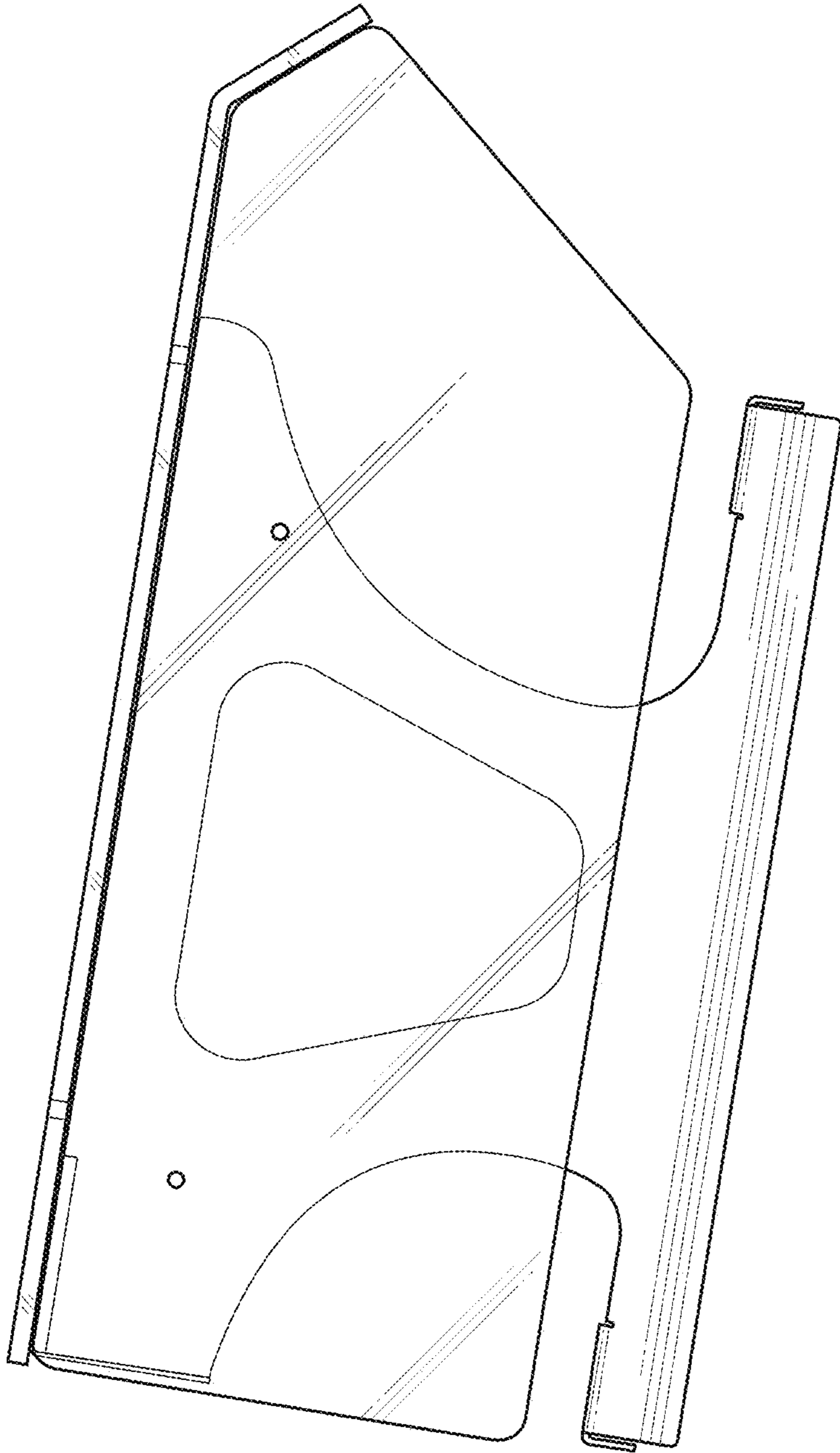


FIG. 3

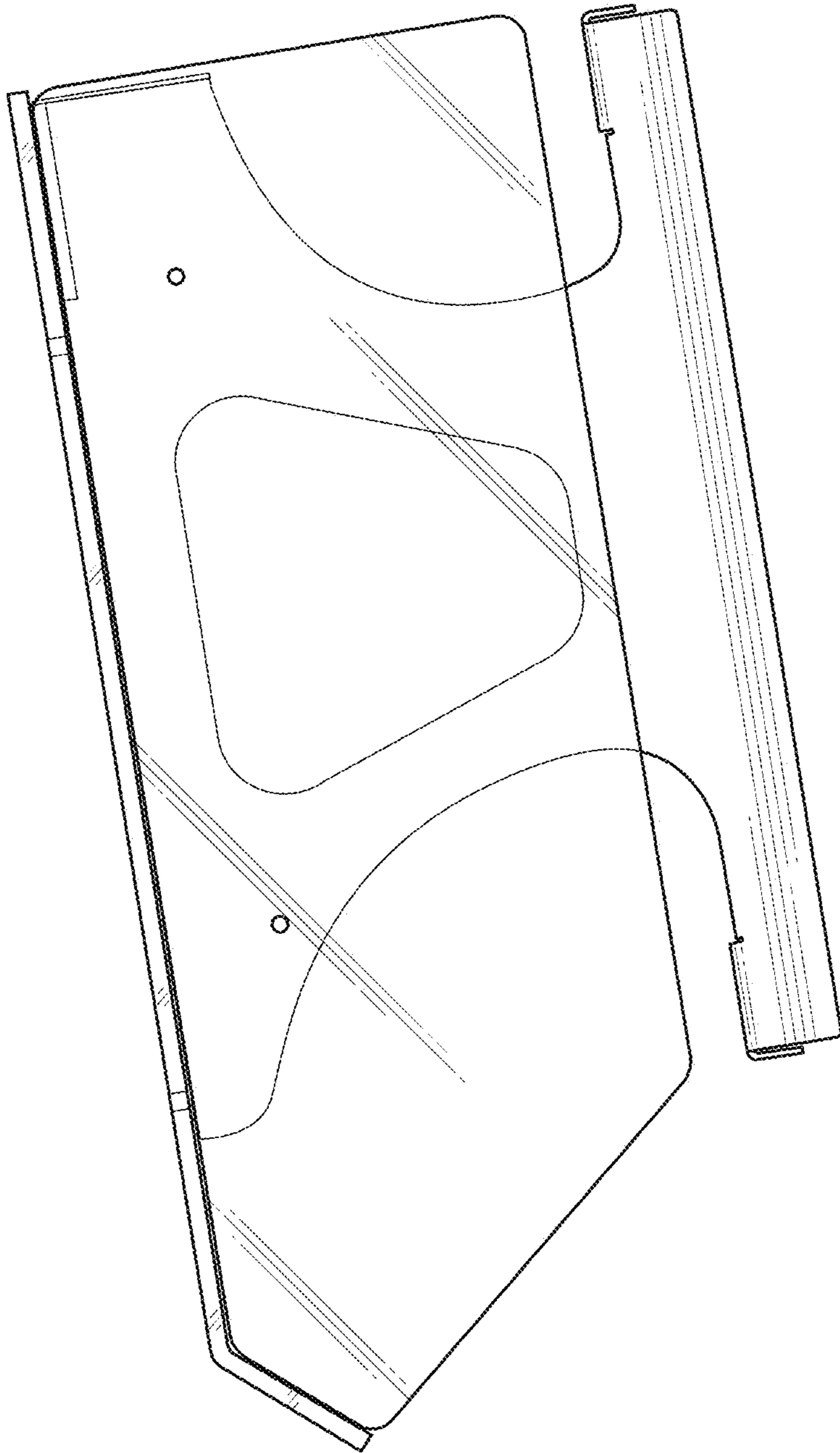


FIG. 4

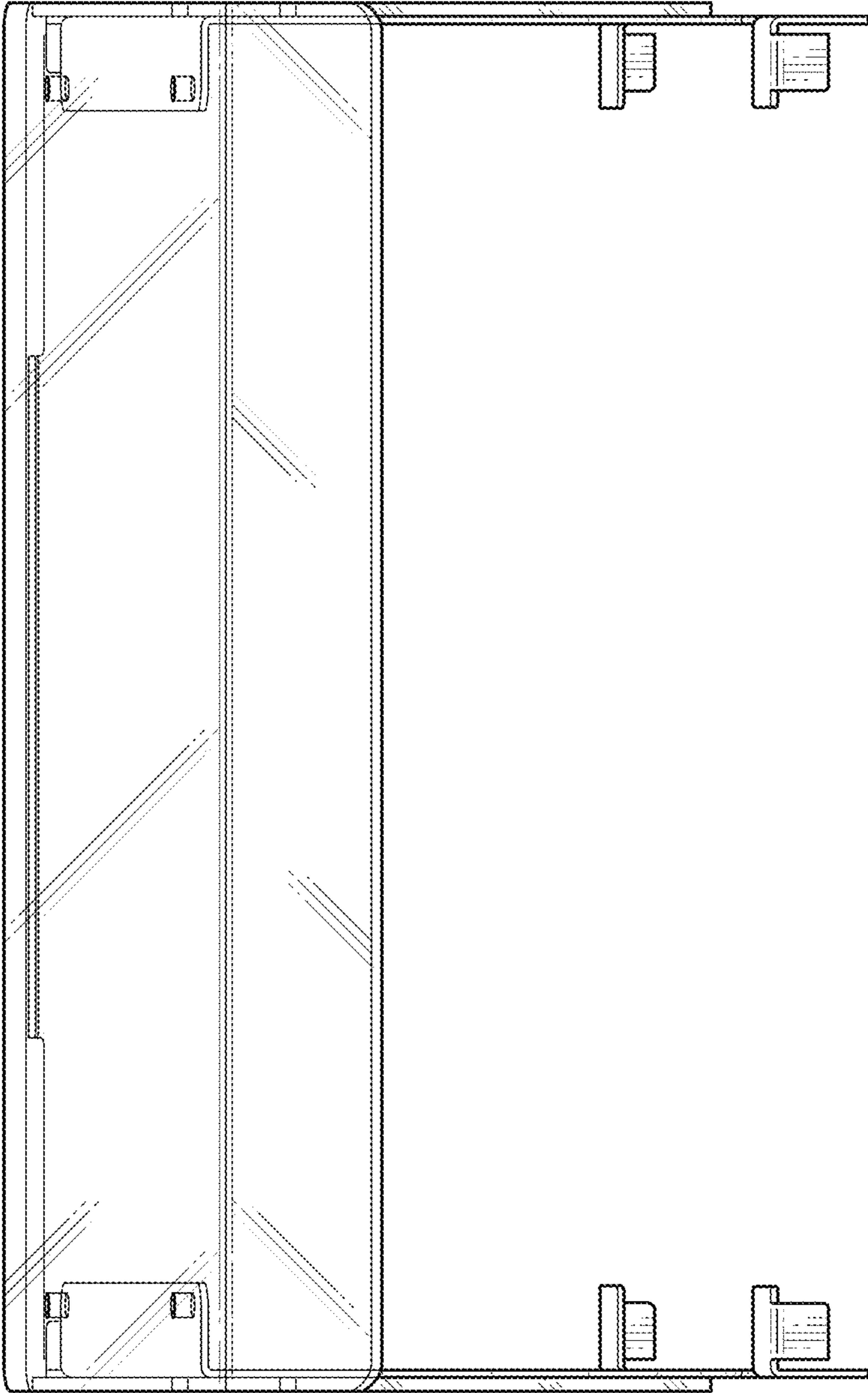


FIG. 5

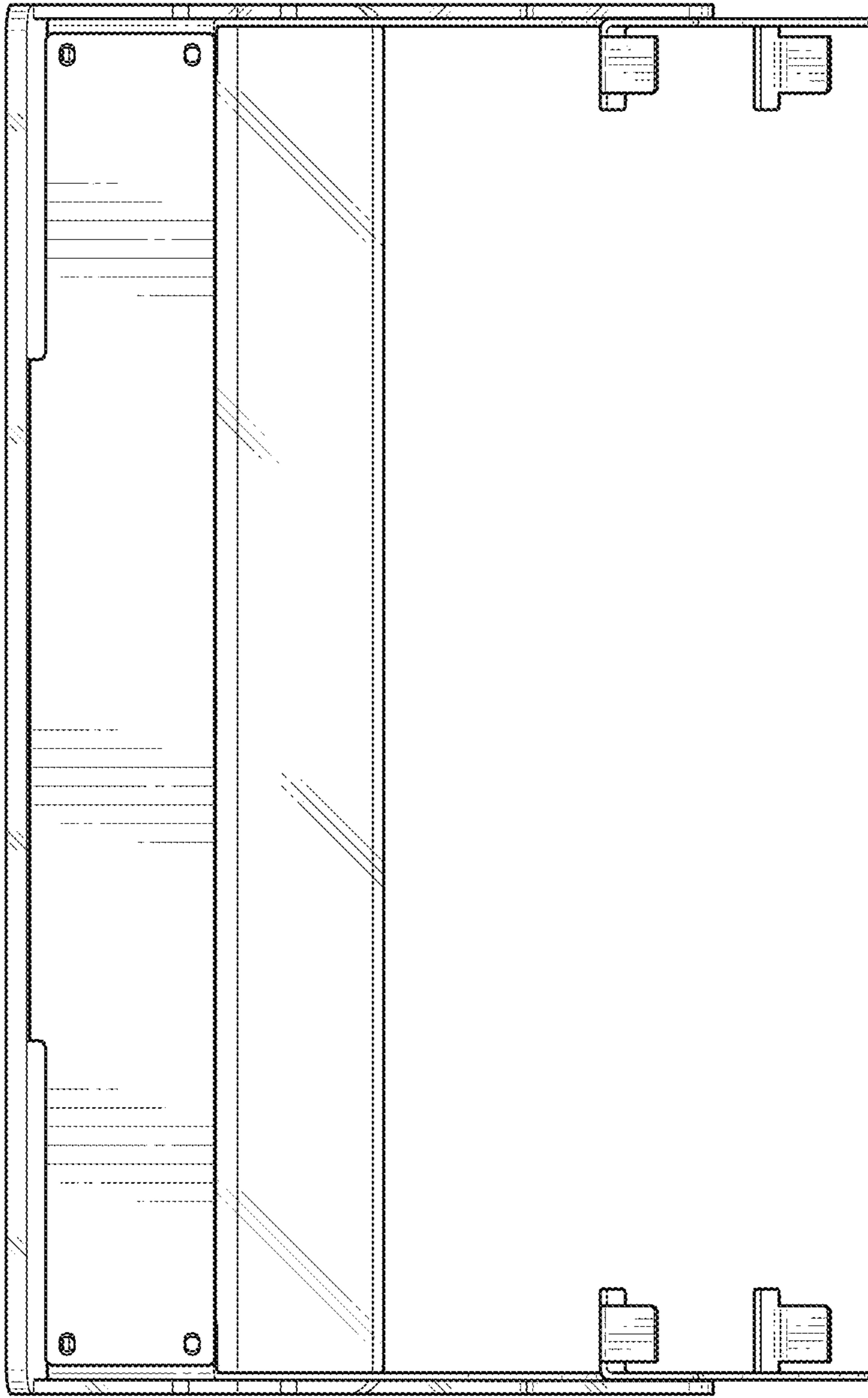


FIG. 6

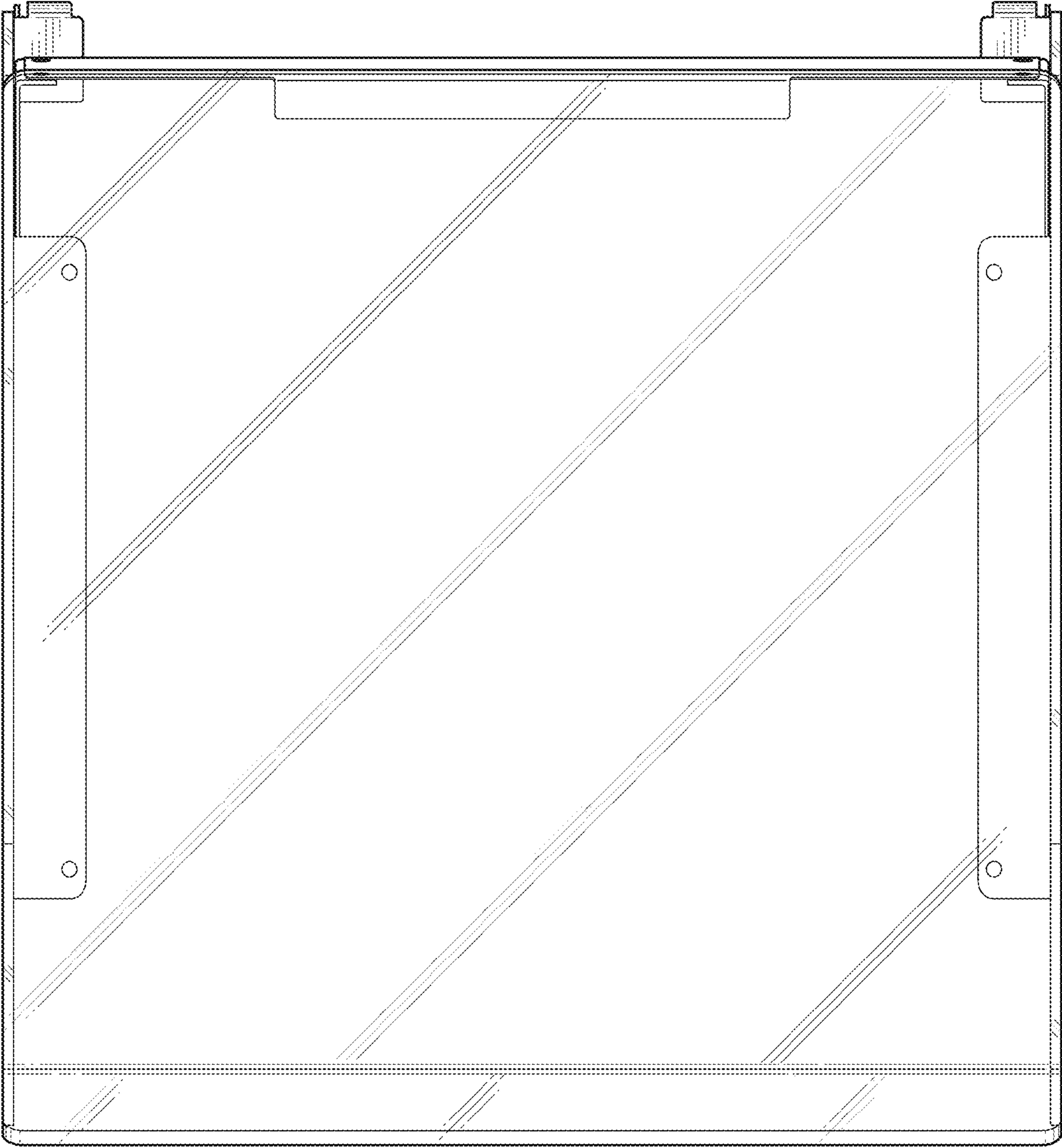


FIG. 7

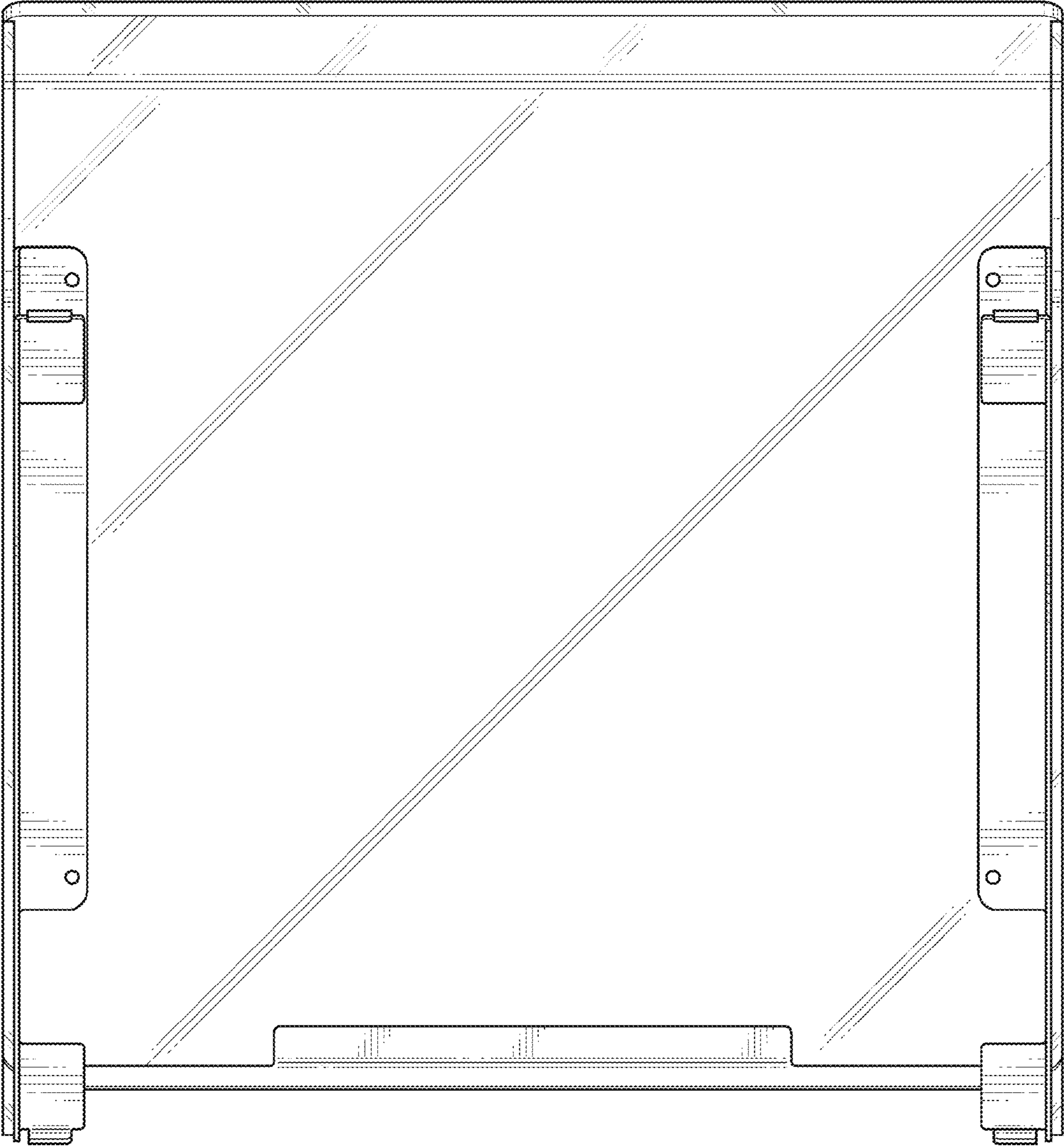


FIG. 8