



US00D947605S

(12) **United States Design Patent** (10) **Patent No.:** **US D947,605 S**  
**Kuwano** (45) **Date of Patent:** **\*\* Apr. 5, 2022**

- (54) **KITCHEN KNIFE**
- (71) Applicant: **KYOCERA Corporation**, Kyoto (JP)
- (72) Inventor: **Yohei Kuwano**, Tokyo (JP)
- (73) Assignee: **KYOCERA CORPORATION**, Kyoto (JP)
- (\*\*) Term: **15 Years**
- (21) Appl. No.: **29/804,459**
- (22) Filed: **Aug. 20, 2021**

**Related U.S. Application Data**

- (62) Division of application No. 29/735,785, filed on May 25, 2020, now Pat. No. Des. 937,045.

(30) **Foreign Application Priority Data**

- Feb. 27, 2020 (JP) ..... 2020-3718
- (51) **LOC (13) Cl.** ..... **07-03**
- (52) **U.S. Cl.**  
USPC ..... **D7/401.2; D7/649**
- (58) **Field of Classification Search**  
USPC ..... D7/393-395, 401.2, 642-652, 693, D7/649-664, 669, 675-677, 683, D7/688-689, 691-692; D8/93, 97-100, D8/107, 300, 321; D22/117-118  
CPC ..... A01B 1/20; A01B 1/22; A22C 25/006; A47G 21/06; A47G 21/065; A61B 17/3211; A61B 17/3213; B21D 53/64; B25G 3/36; B25G 1/102; B26B 1/00; B26B 1/08; B26B 1/10; B26B 3/00; B26B 3/02; B26B 3/03; B26B 3/04; B26B 3/06; B26B 5/00; B26B 5/001; B26B 5/007; B26B 7/00; B26B 7/005; B26B 9/00; B26B 9/02; B26B 11/00; B26B 11/006; B26B 17/00; B26B 17/006; B26B 29/02

See application file for complete search history.

(56) **References Cited**

U.S. PATENT DOCUMENTS

D554,437 S	11/2007	Ono	
D554,438 S *	11/2007	Ono	D7/649
D559,044 S	1/2008	Ono	
D572,542 S *	7/2008	Epstein	D7/649
D637,048 S *	5/2011	Ono	D7/650
D649,412 S *	11/2011	Lo	D7/649
D675,068 S *	1/2013	Mahaffey	D7/642
D679,150 S *	4/2013	Pezzini	D7/649
D792,154 S *	7/2017	Berger	D7/401.2
D809,862 S	2/2018	Petsche et al.	
9,981,395 B2 *	5/2018	Liu	B26B 3/00
D825,262 S *	8/2018	Bae	D7/401.2
D833,219 S	11/2018	Liu	

(Continued)

OTHER PUBLICATIONS

Sedge Chef Knife. Date First Available on Amazon.com Sep. 23, 2020. <https://www.amazon.com/dp/B08JTD8949/ref> (Year: 2020).\*

*Primary Examiner* — Ricky Pham

(74) *Attorney, Agent, or Firm* — Hauptman Ham, LLP

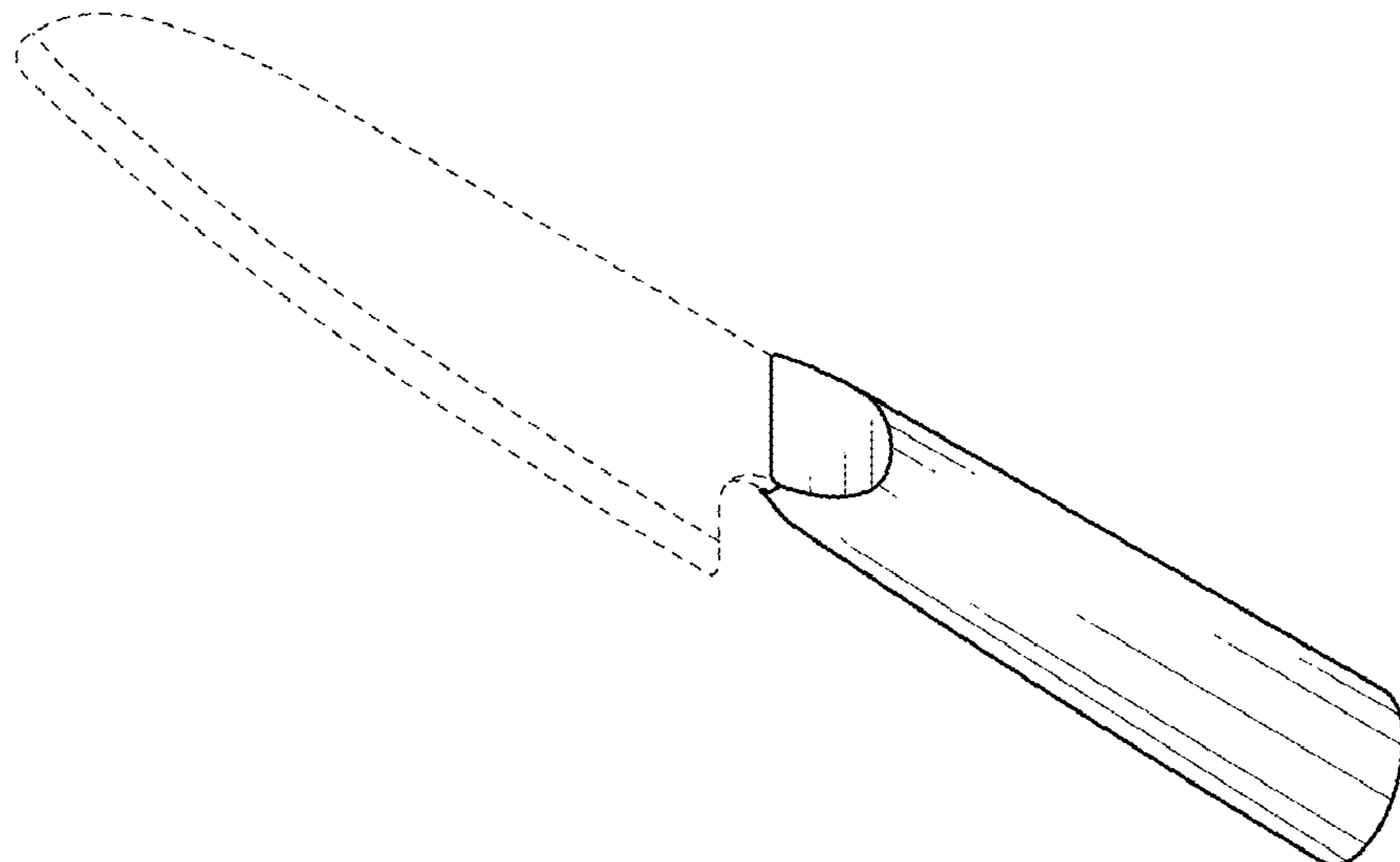
(57) **CLAIM**

The ornamental design for a kitchen knife, as shown and described.

**DESCRIPTION**

FIG. 1 is a perspective view of a kitchen knife showing my new design;  
 FIG. 2 is a front view thereof;  
 FIG. 3 is a rear view thereof;  
 FIG. 4 is a left side view thereof;  
 FIG. 5 is a right side view thereof;  
 FIG. 6 is a top view thereof; and,  
 FIG. 7 is a bottom view thereof.  
 The broken lines show a portion of a kitchen knife that forms no part of the claimed design.

**1 Claim, 3 Drawing Sheets**



(56)

**References Cited**

U.S. PATENT DOCUMENTS

D842,663	S	3/2019	Heine et al.	
D849,476	S	5/2019	Heine et al.	
D878,858	S	3/2020	Liu	
D885,127	S	5/2020	Lin	
D889,213	S *	7/2020	Kidd .....	D7/649
D932,829	S *	10/2021	Chastan .....	D7/393
2009/0158600	A1	6/2009	Ishai	
2017/0136617	A1 *	5/2017	Lucas, Jr. ....	B25G 1/102

\* cited by examiner

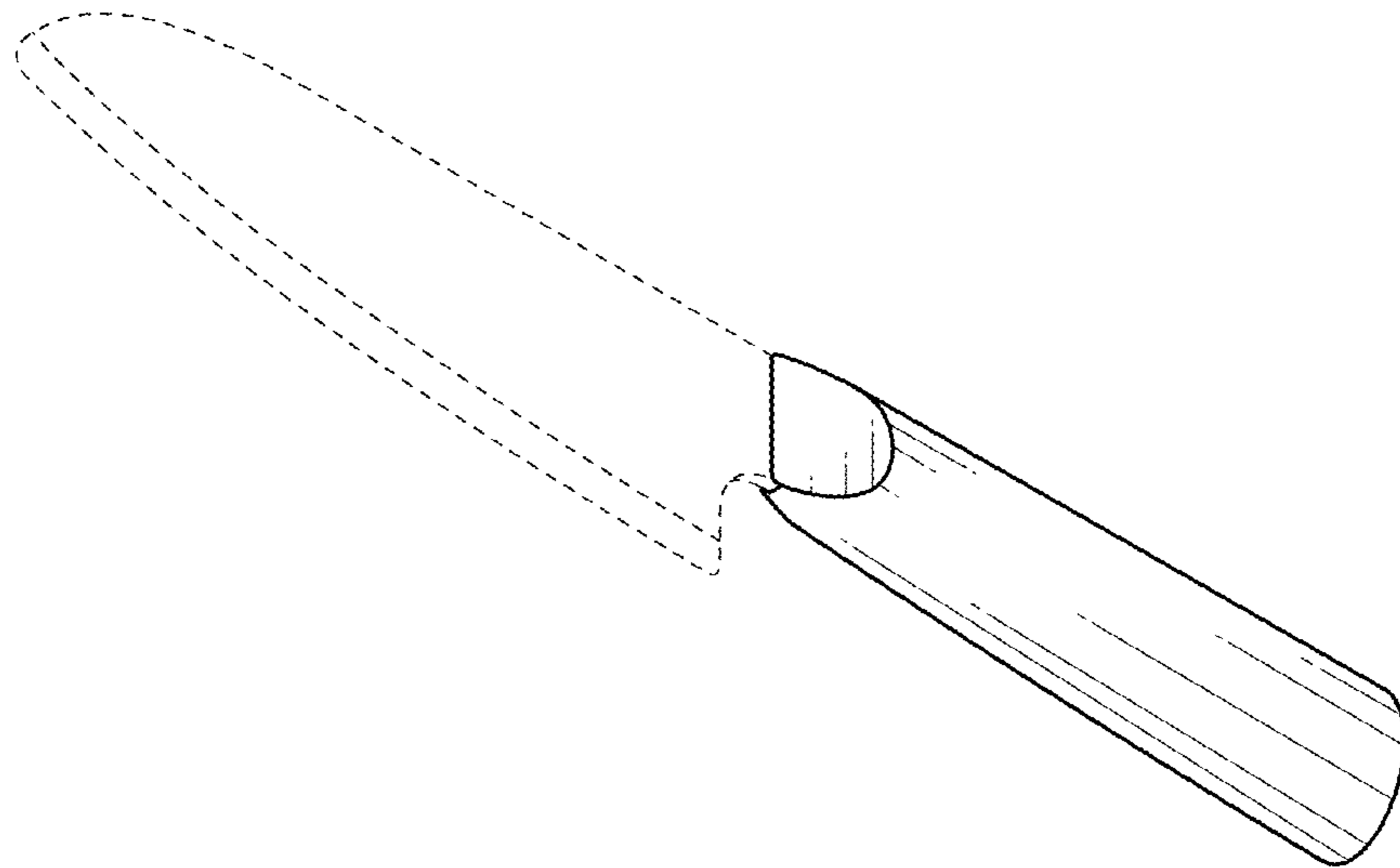


FIG. 1

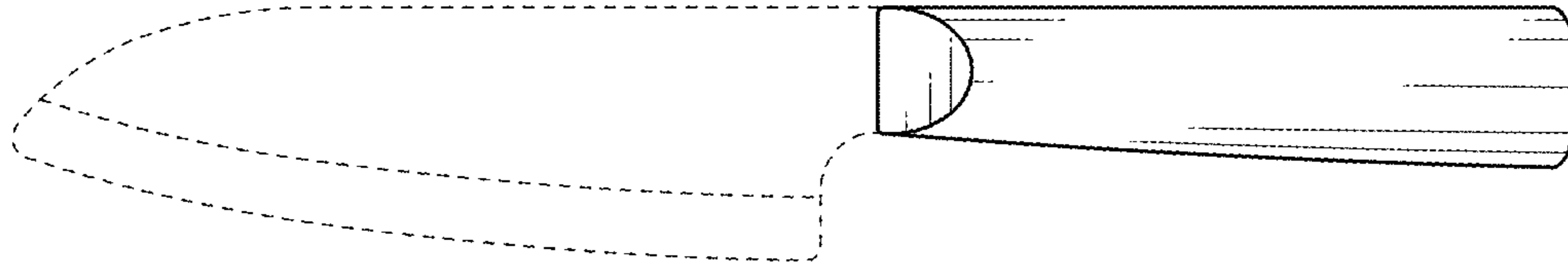


FIG. 2

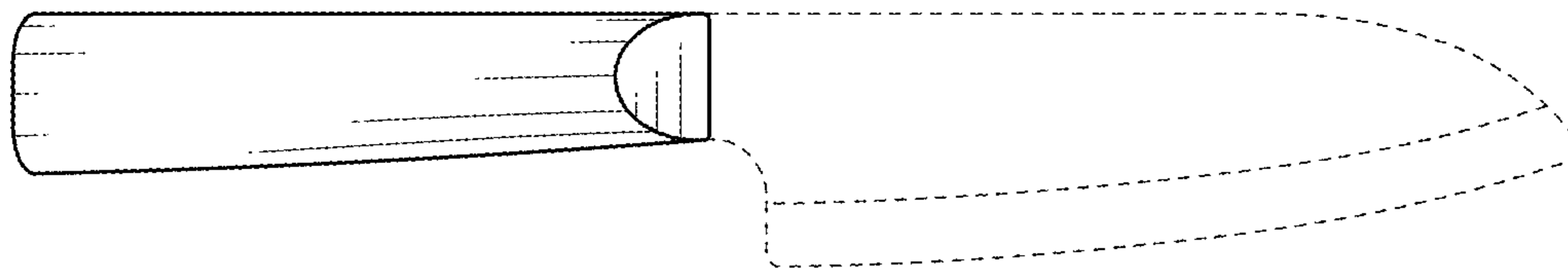


FIG. 3

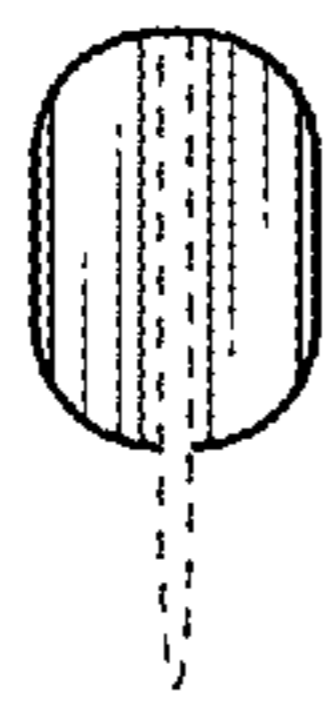


FIG. 4

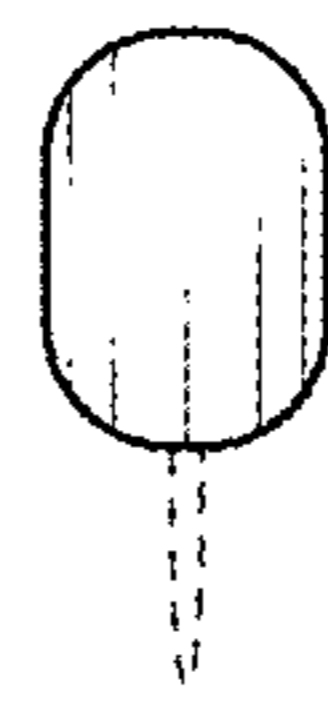


FIG. 5



FIG. 6

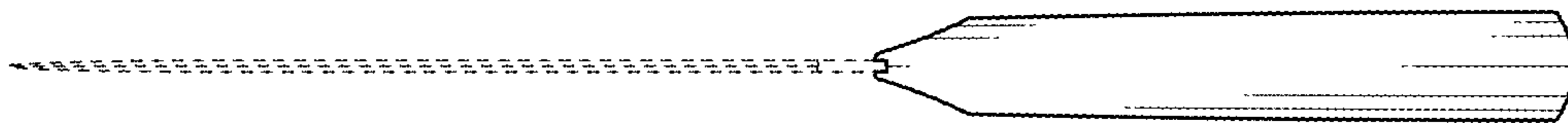


FIG. 7