



US00D947603S

(12) **United States Design Patent**  
**Edelsohn et al.**

(10) **Patent No.:** **US D947,603 S**  
(45) **Date of Patent:** **\*\* Apr. 5, 2022**

(54) **POUR-OVER COFFEE MAKER**  
(71) Applicant: **TAE Enterprises, LLC**, Thornton, PA (US)

D564,832 S \* 3/2008 Bodum ..... D7/399  
D778,668 S \* 2/2017 Hojo ..... D7/400  
D793,156 S \* 8/2017 Hojo ..... D7/400  
D797,501 S \* 9/2017 Thurlow ..... D7/400

(Continued)

(72) Inventors: **Andrew Edelsohn**, Thornton, PA (US);  
**Paul Berman**, Santa Monica, CA (US)

(73) Assignee: **TAE Enterprises, LLC**, Thornton, PA (US)

(\*\*) Term: **15 Years**

(21) Appl. No.: **29/743,888**

(22) Filed: **Jul. 24, 2020**

(51) **LOC (13) Cl.** ..... **07-02**

(52) **U.S. Cl.**

USPC ..... **D7/400**; D7/399

(58) **Field of Classification Search**

USPC ..... D7/300, 300.1, 309-312, 368, 369, 387,  
D7/397-401, 412, 415, 500, 509, 533,  
D7/536, 598, 602, 647, 665-667, 669,  
D7/679, 692, 700; D8/1; D9/435, 436,  
D9/443, 447; D15/150-152; D23/200,  
D23/261; D24/112; 141/297-300  
CPC ..... A47J 19/00; A47J 19/005; A47J 19/02;  
A47J 19/023; A47J 19/027; A47J 27/60;  
A47J 31/06; A47J 31/0626; A47J  
31/0636; A47J 31/18; A47J 31/20; A47J  
42/50

See application file for complete search history.

(56) **References Cited**

**U.S. PATENT DOCUMENTS**

3,418,916 A \* 12/1968 Peirce ..... A47J 31/06  
99/305  
D250,804 S \* 1/1979 Nilsson ..... A47J 31/06  
D7/400  
5,826,493 A \* 10/1998 Tien Lin ..... A47J 31/061  
99/306  
D414,876 S \* 10/1999 Morimoto ..... D24/220

**OTHER PUBLICATIONS**

HIC Coffee Filter Cone, first available Jul. 3, 2016, Amazon, [online], [site visited Nov. 19, 2021], Available from internet URL: <https://www.amazon.com/HIC-Coffee-Filter-Number-1-Size/dp/B01HXGDYMO> (Year: 2016).\*

(Continued)

*Primary Examiner* — Mary Ann Calabrese

*Assistant Examiner* — Natalya M Rapundalo

(74) *Attorney, Agent, or Firm* — Smith Patent, LLC;  
Chalin A. Smith

(57) **CLAIM**

We claim the ornamental design for a pour-over coffee maker, as shown and described.

**DESCRIPTION**

FIG. 1 is a top perspective view of a pour-over coffee maker showing our new design.

FIG. 2 is bottom perspective view of the pour-over coffee maker of FIG. 1.

FIG. 3 is a front elevation view of the pour-over coffee maker of FIG. 1.

FIG. 4 is a rear elevation view of the pour-over coffee maker of FIG. 1.

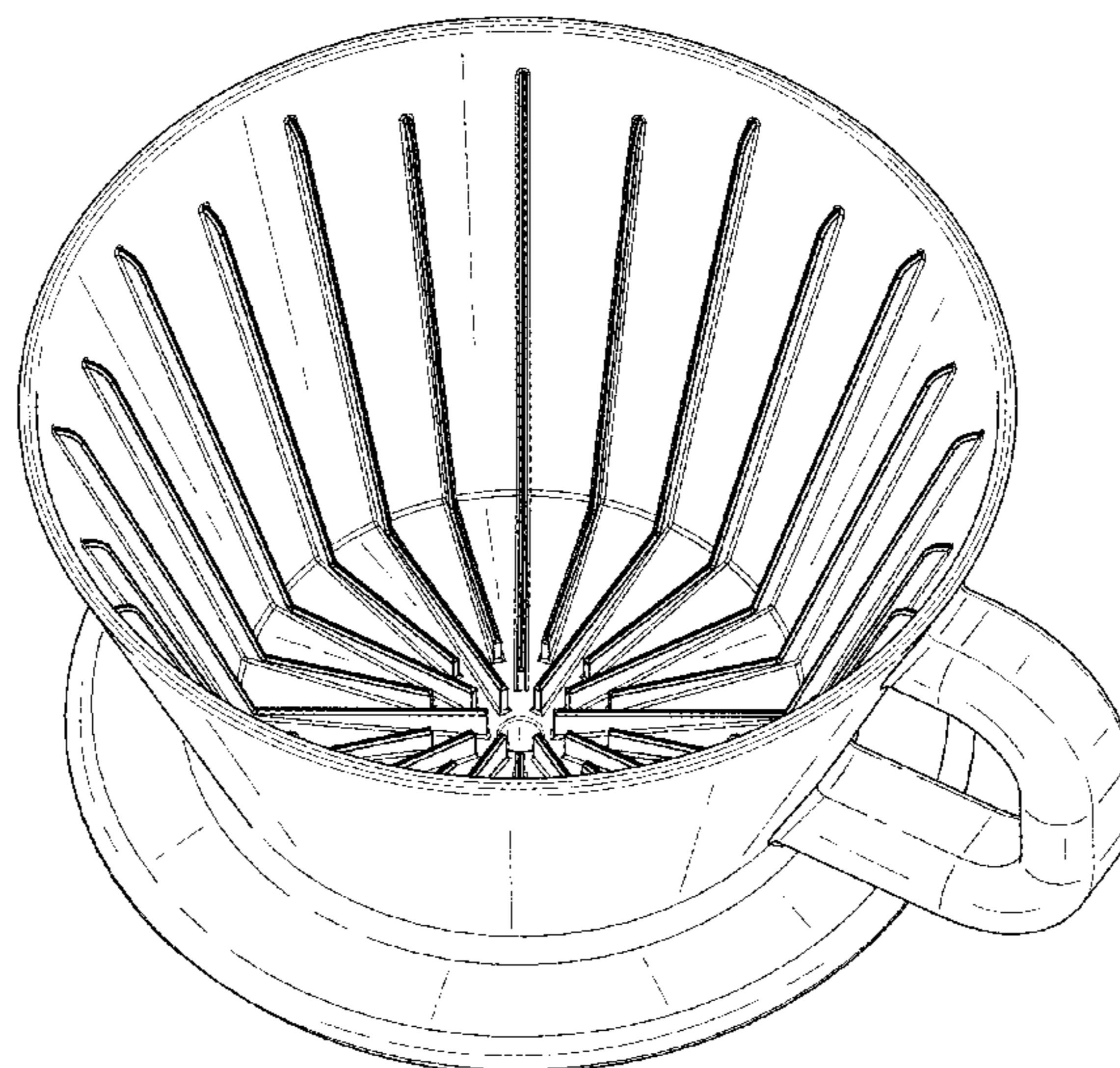
FIG. 5 is a top plan view of the pour-over coffee maker of FIG. 1.

FIG. 6 is a bottom plan view of the pour-over coffee maker of FIG. 1.

FIG. 7 is a right side elevation view of the pour-over coffee maker of FIG. 1; and,

FIG. 8 is a left side elevation view of the pour-over coffee maker of FIG. 1.

**1 Claim, 6 Drawing Sheets**



(56)

**References Cited**

U.S. PATENT DOCUMENTS

D873,607	S *	1/2020	Day, Jr. ....	A47J 31/061 D7/400
D873,608	S *	1/2020	de Martrin-Donos ..	A47J 31/02 D7/400
D907,437	S *	1/2021	Molnar .....	A47J 31/06 D7/400
D939,891	S *	1/2022	Chapman .....	D7/400
2010/0089245	A1 *	4/2010	Gerber .....	A47J 31/02 99/306
2018/0055272	A1 *	3/2018	Sachtleben .....	A47J 31/06
2019/0191914	A1 *	6/2019	Schillheim .....	A47J 31/02
2020/0205604	A1 *	7/2020	Lin .....	A47J 31/4425

OTHER PUBLICATIONS

Big Joe Coffee—Extra Large Pour Over Coffee Maker, first available May 18, 2020, Amazon, [online], [site visited Nov. 16, 2021],

Available from internet URL: <https://www.amazon.com/Big-Joe-Coffee-Dripper-Filters/dp/B08BJ7K6KQ?th=1> (Year: 2020).\*

Design No. 306166280, Nov. 13, 2020—China National Intellectual Property Administration (CNIPA) Publication Date—Nov. 13, 2020 Owner—Foshan Youdemei Electrical Appliance Co Ltd, Designer—Zhang Weidong WIPO, available at <https://www3.wipo.int/designdb/en/index.jsp> (Year: 2020).\*

Big Joe Extra Large Pour Over Coffee Maker, Big Joe, [online], [site visited Nov. 16, 2021], Available from internet URL: <https://bigjoecoffee.com/shop/big-joe-extra-large-pour-over-coffee-maker/> (Year: 2021).\*

Design No. 306295539, Jan. 26, 2021—China National Intellectual Property Administration (CNIPA) Publication Date—Jan. 26, 2021 Owner—Suzhou Lv Xiao and His Friends Coffee Trade Co Ltd, Designer—Lv Xiao WIPO, available at <https://www3.wipo.int/designdb/en/index.jsp> (Year: 2021).\*

\* cited by examiner

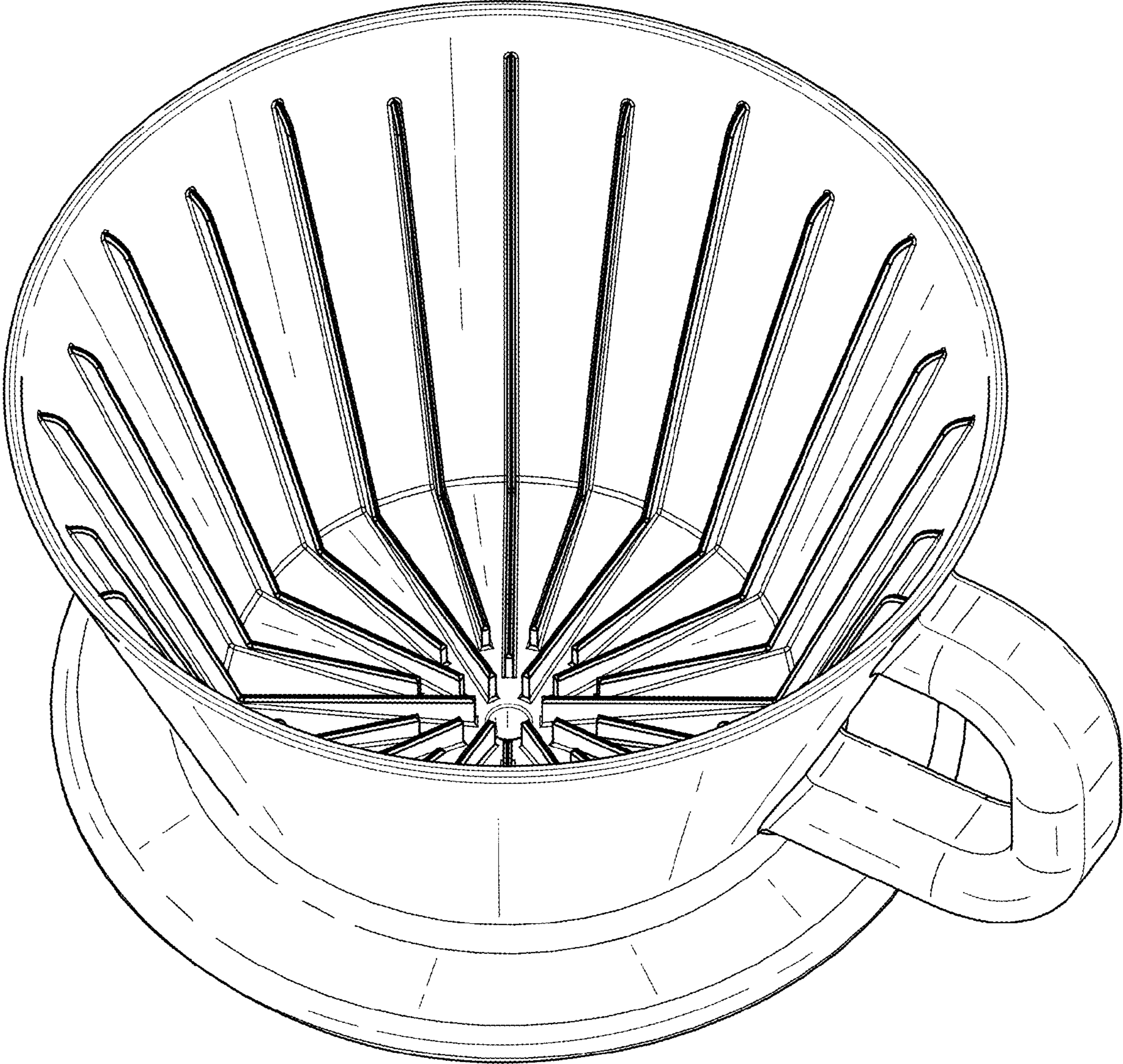


FIG. 1

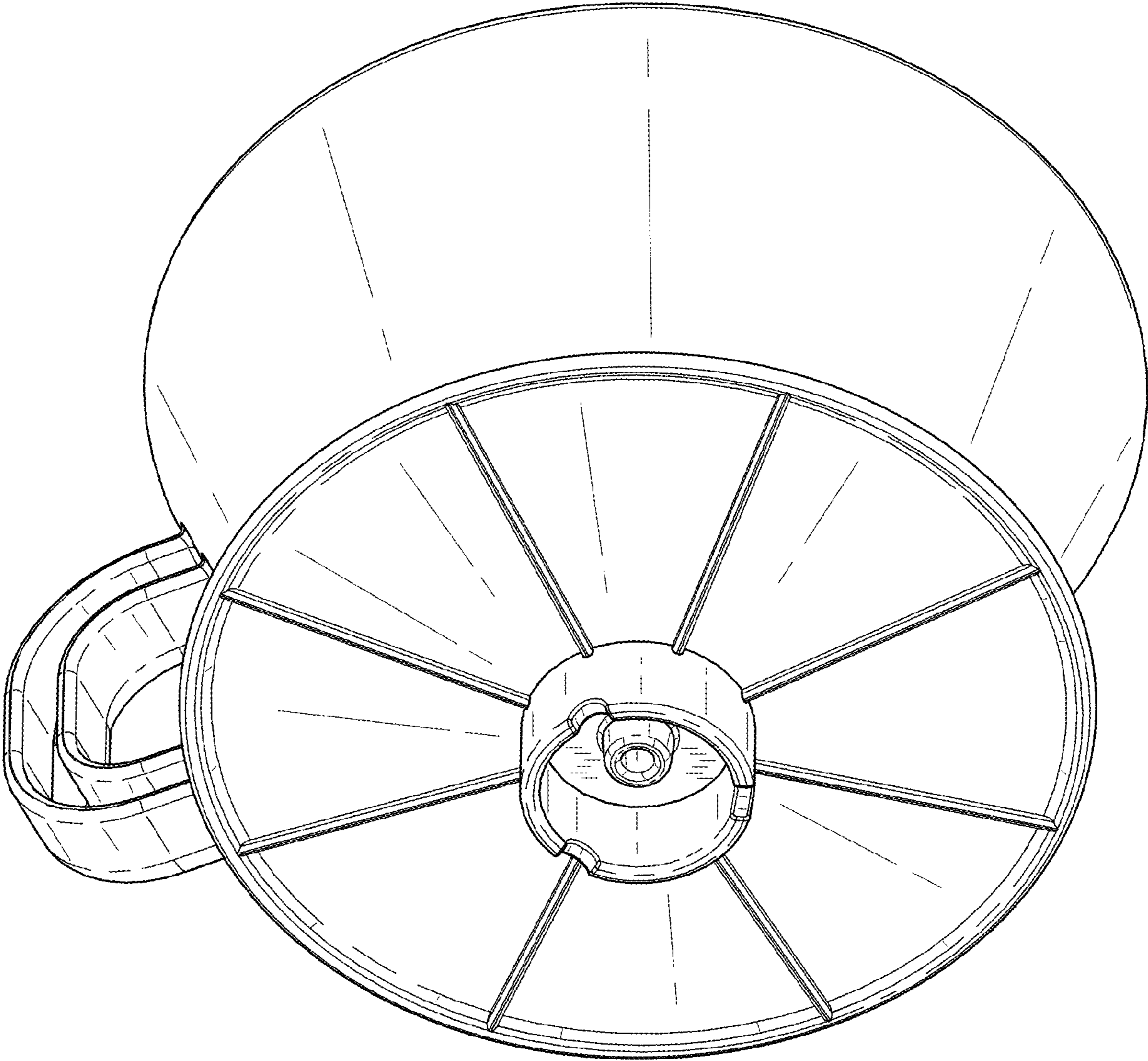


FIG. 2

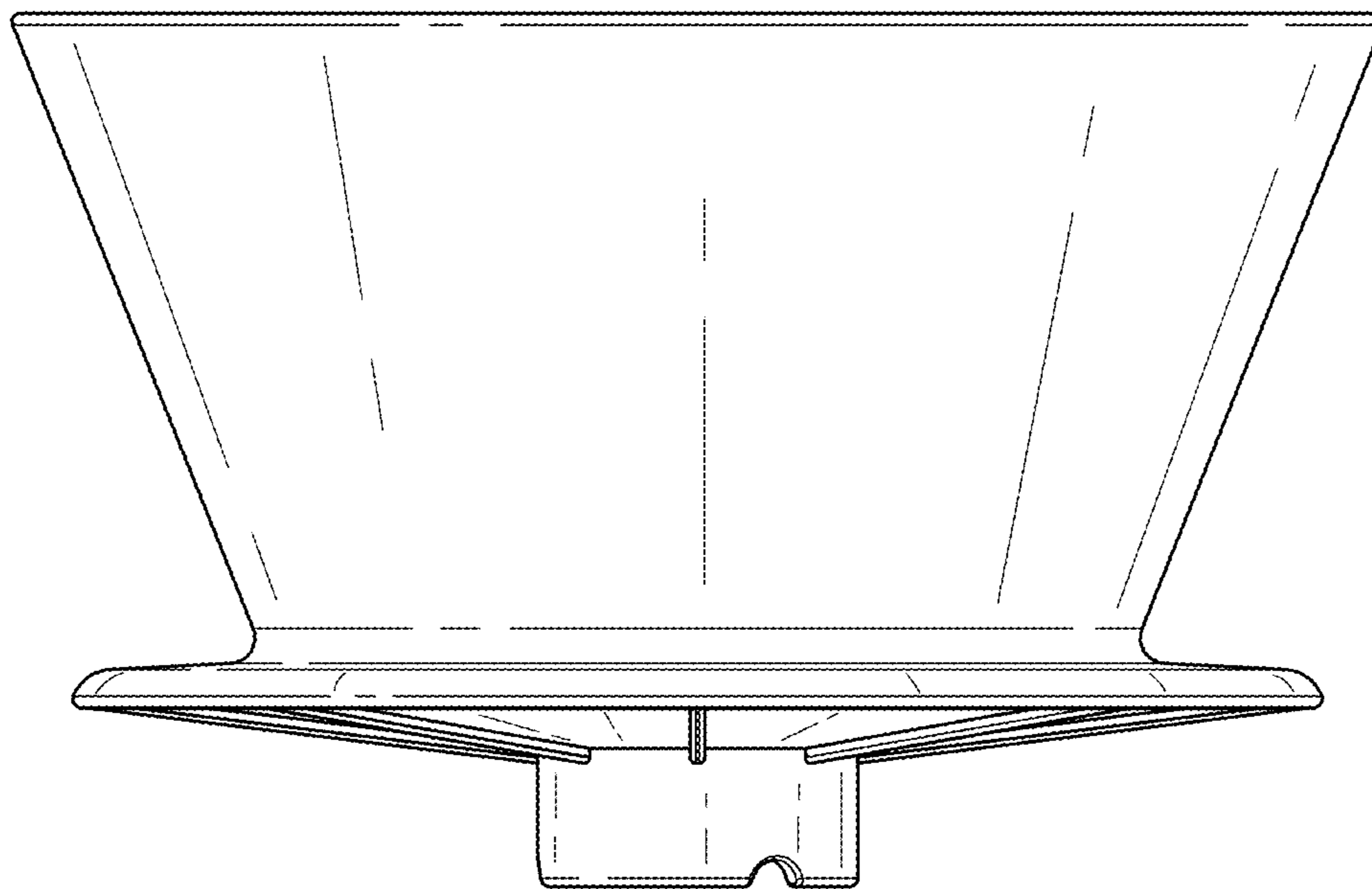


FIG. 3

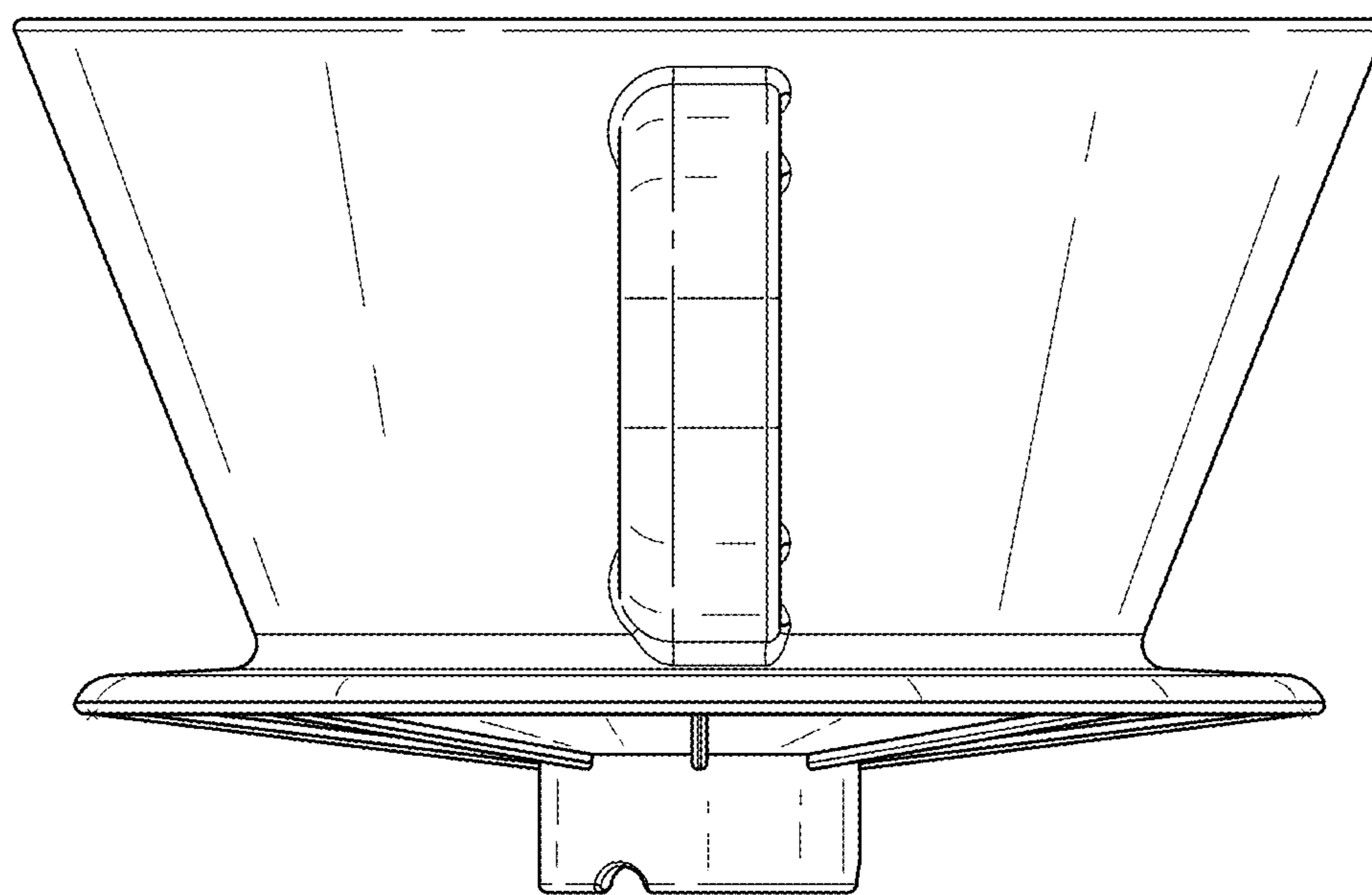


FIG. 4

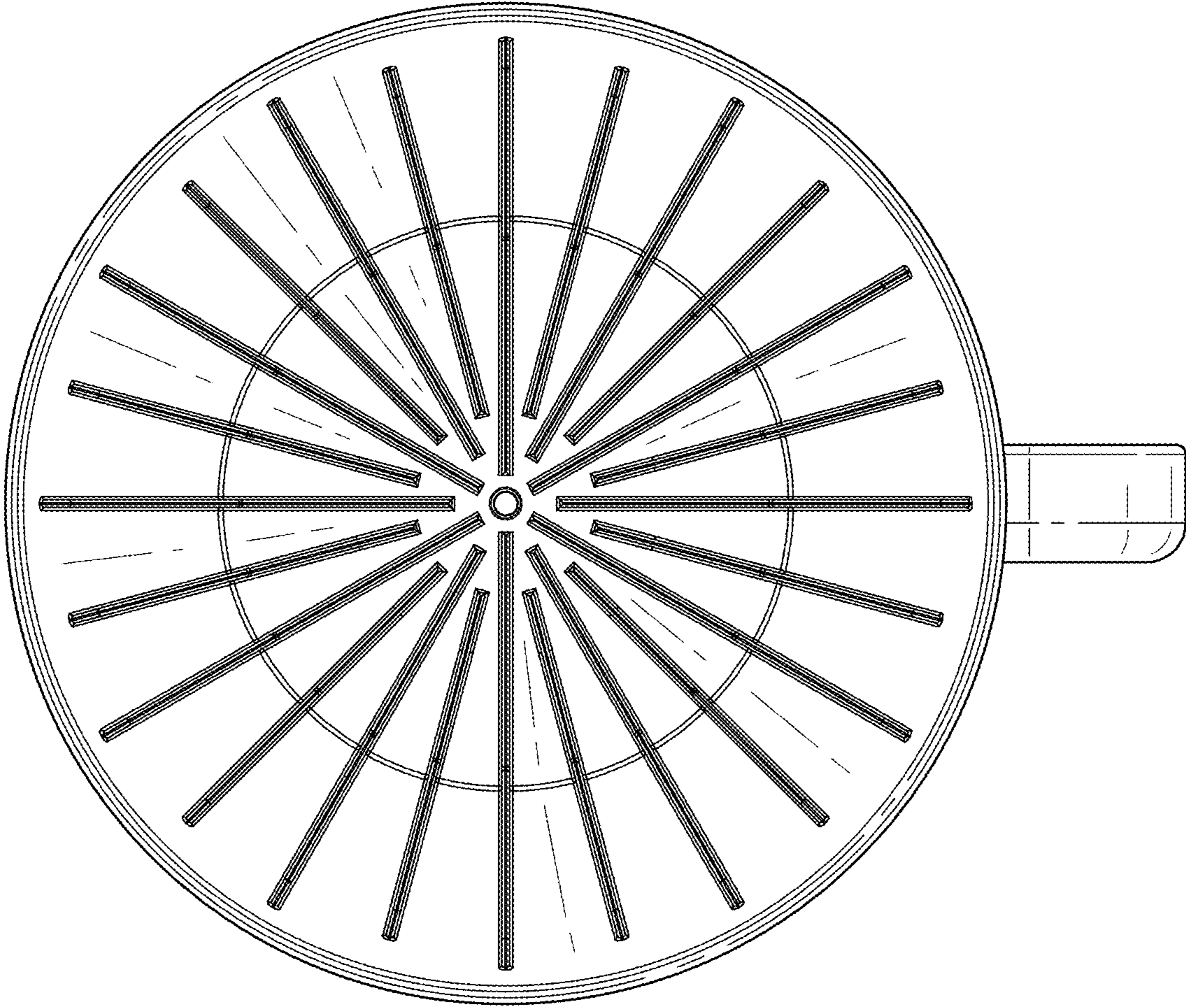


FIG. 5

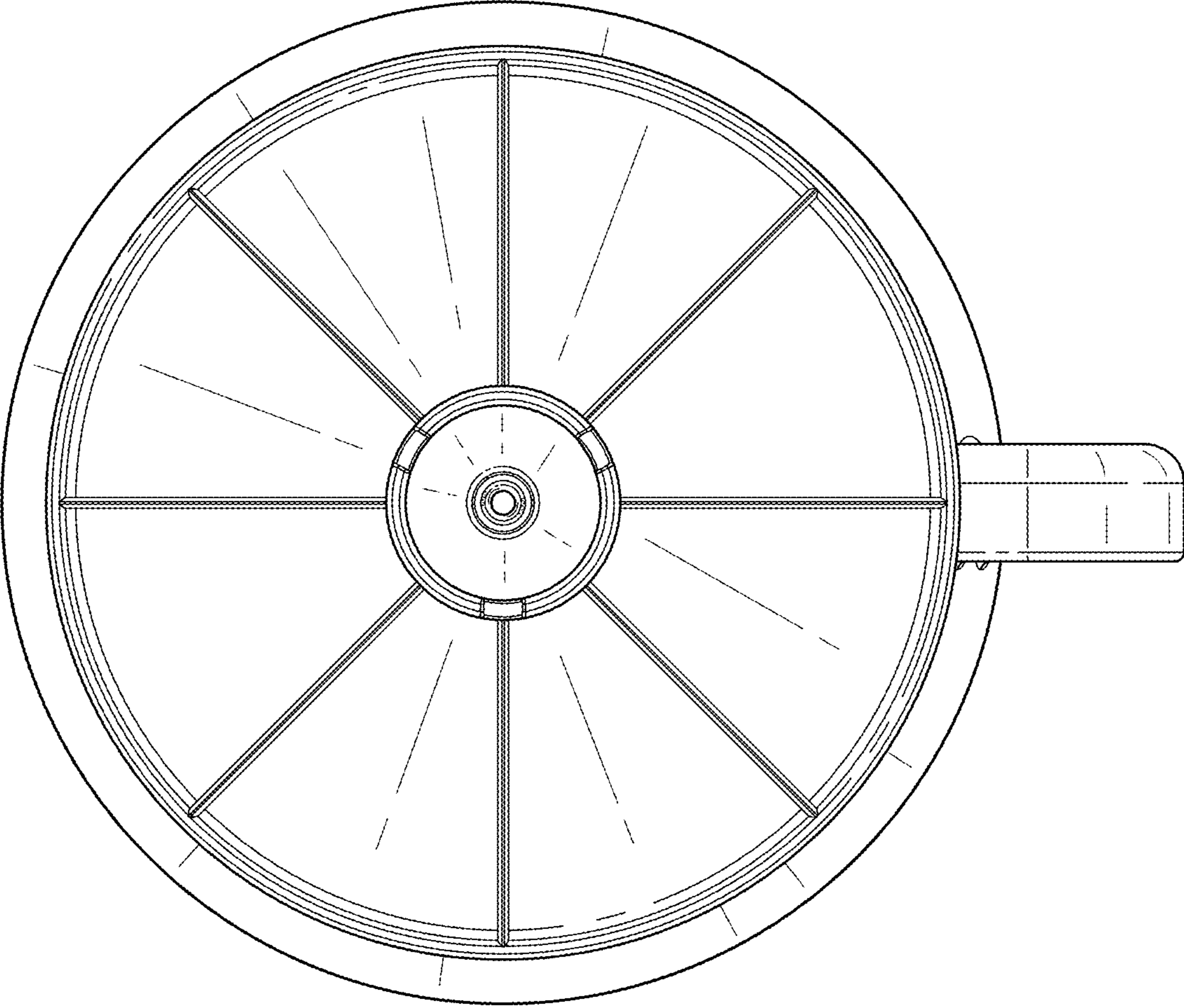


FIG. 6

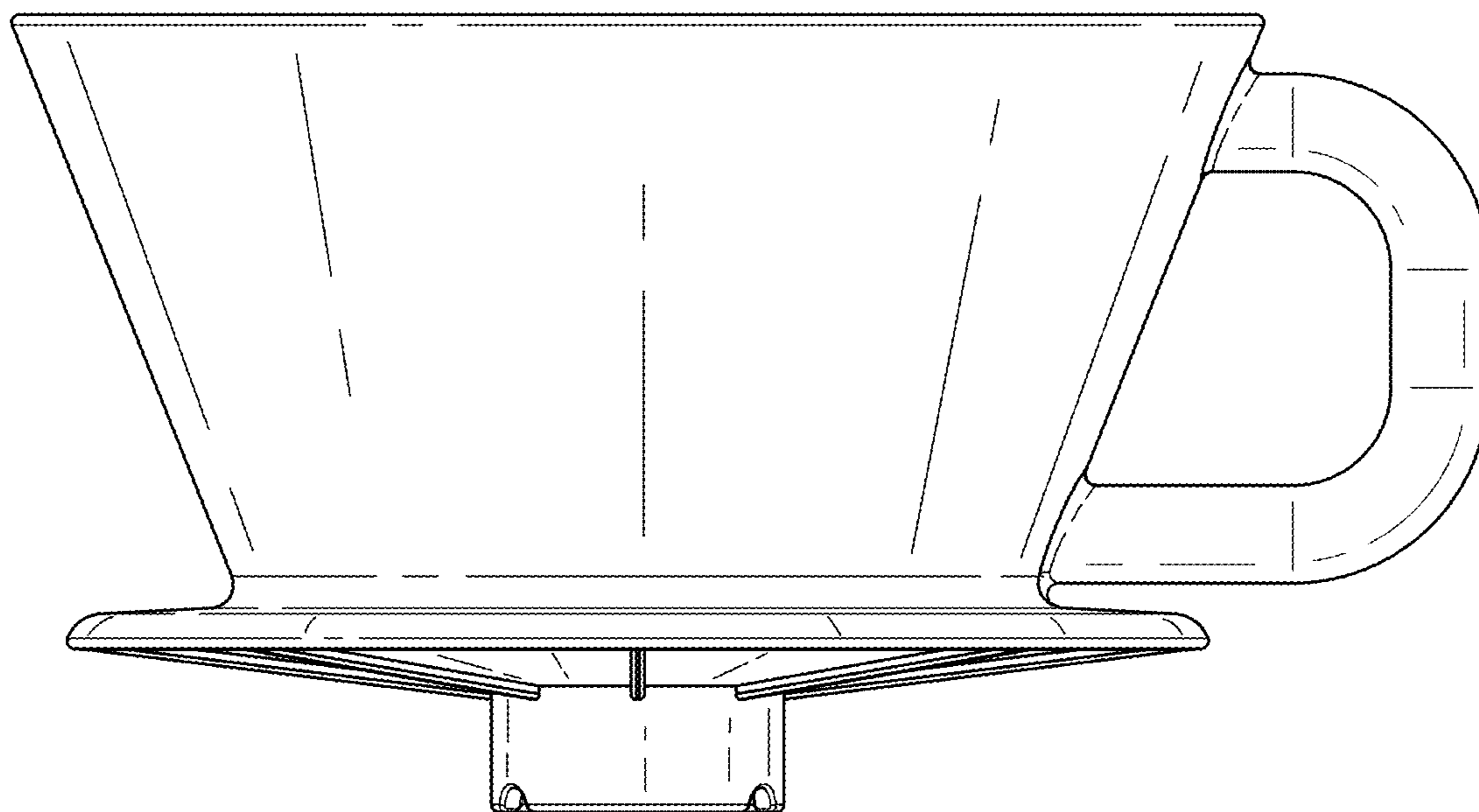


FIG. 7

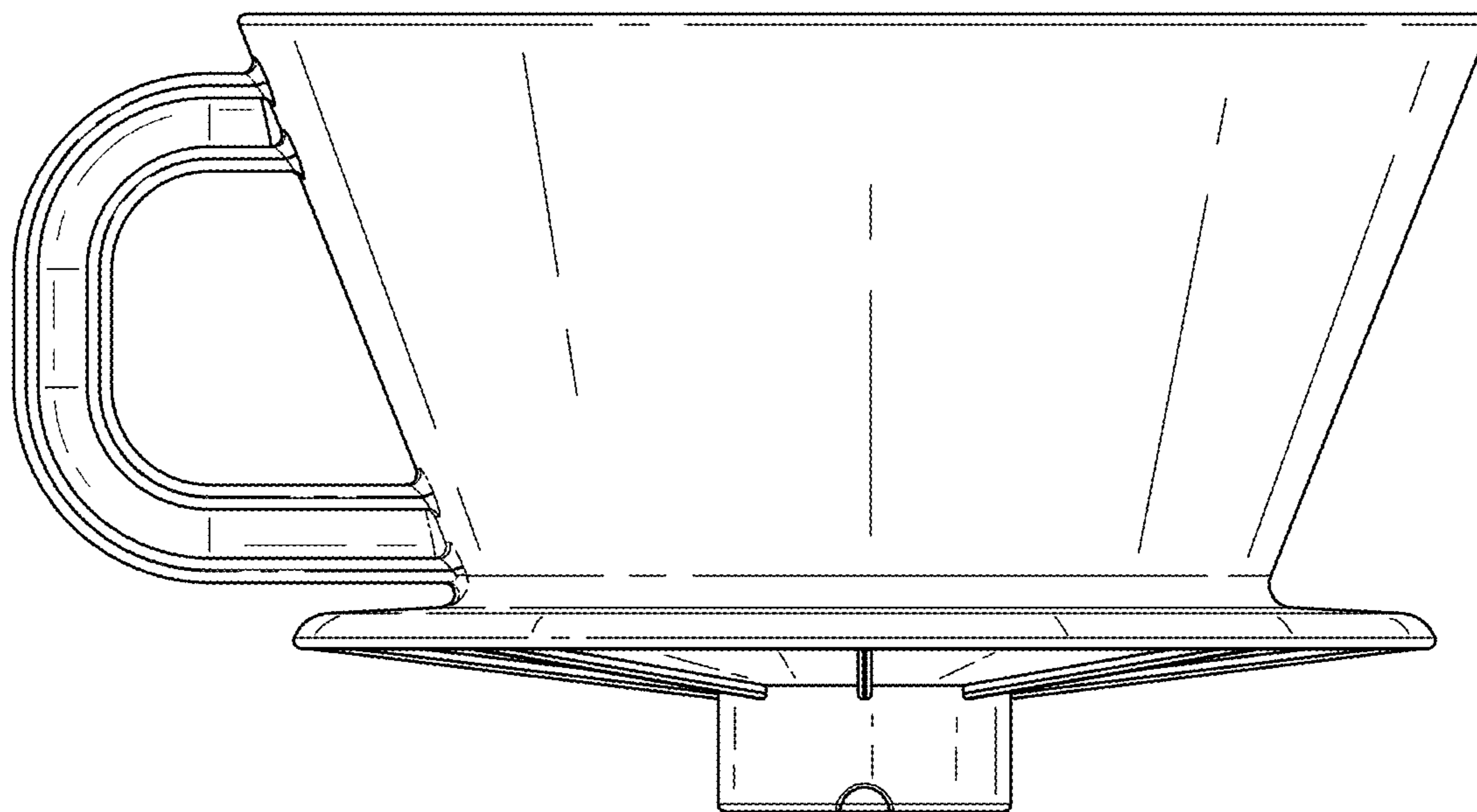


FIG. 8