



US00D947601S

(12) **United States Design Patent** (10) **Patent No.:** **US D947,601 S**  
**Danieli et al.** (45) **Date of Patent:** **\*\* Apr. 5, 2022**

(54) **CARBONATION MECHANISM**

(71) Applicant: **SODASTREAM INDUSTRIES LTD.**,  
Kfar Saba (IL)

(72) Inventors: **Guy Danieli**, Jerusalem (IL); **Amit Avigdor**, Kibutz Bahan (IL); **Doron Krom**, Zichron Yaakov (IL); **Oren Shalev**, Ashdod (IL); **Allan Ring**, Mercaz Shapira (IL); **Avi Cohen**, Jerusalem (IL); **Dvir Brand**, Hod Hasharon (IL); **Amnon Shkedi**, Karkur (IL)

(73) Assignee: **SODASTREAM INDUSTRIES LTD.**,  
Kfar Saba (IL)

(\*\*) Term: **15 Years**

(21) Appl. No.: **29/721,594**

(22) Filed: **Jan. 22, 2020**

(30) **Foreign Application Priority Data**

Oct. 10, 2019 (IL) ..... 64249

(51) **LOC (13) Cl.** ..... **07-01**

(52) **U.S. Cl.**  
USPC ..... **D7/397**

(58) **Field of Classification Search**  
USPC ..... D7/300, 301-303, 305, 306, 309,  
D7/312-314, 316-319, 397-400;  
D23/207, 209, 213  
CPC ..... A23L 2/00; A23L 2/54; A47J 31/02; A47J  
31/06; A47J 31/061; A47J 31/0615; A47J  
31/0642; A47J 31/0673; A47J 31/18;  
A47J 31/20; A47J 31/3628; A47J 31/407;  
A47J 31/44; A47J 31/4403; A47J  
31/4482; A47J 31/46; A47J 31/50; A47J  
31/505; B01F 3/04; B01F 3/04099; B01F  
3/04106; B01F 13/00

See application file for complete search history.

(56) **References Cited**

U.S. PATENT DOCUMENTS

D259,567 S \* 6/1981 Grange ..... D7/300  
D276,021 S \* 10/1984 Mabb ..... D7/300  
D278,200 S \* 4/1985 Dahlberg ..... D23/209  
4,610,282 A \* 9/1986 Brooks ..... B01F 13/0033  
141/46  
D290,439 S \* 6/1987 Weaver ..... D7/300  
(Continued)

**OTHER PUBLICATIONS**

Top 10 Best Soda Makers On The Market 2021 Reviews, Chefs Resource, [online], [site visited Dec. 10, 2021], Available from internet URL: [https://www.chefsresource.com/best-soda-makers/?doing\\_wp\\_cron=1639156249.6040780544281005859375](https://www.chefsresource.com/best-soda-makers/?doing_wp_cron=1639156249.6040780544281005859375) (Year: 2021).\*

(Continued)

*Primary Examiner* — Mary Ann Calabrese  
*Assistant Examiner* — Natalya M Rapundalo  
(74) *Attorney, Agent, or Firm* — Pearl Cohen Zedek Latzer Baratz LLP

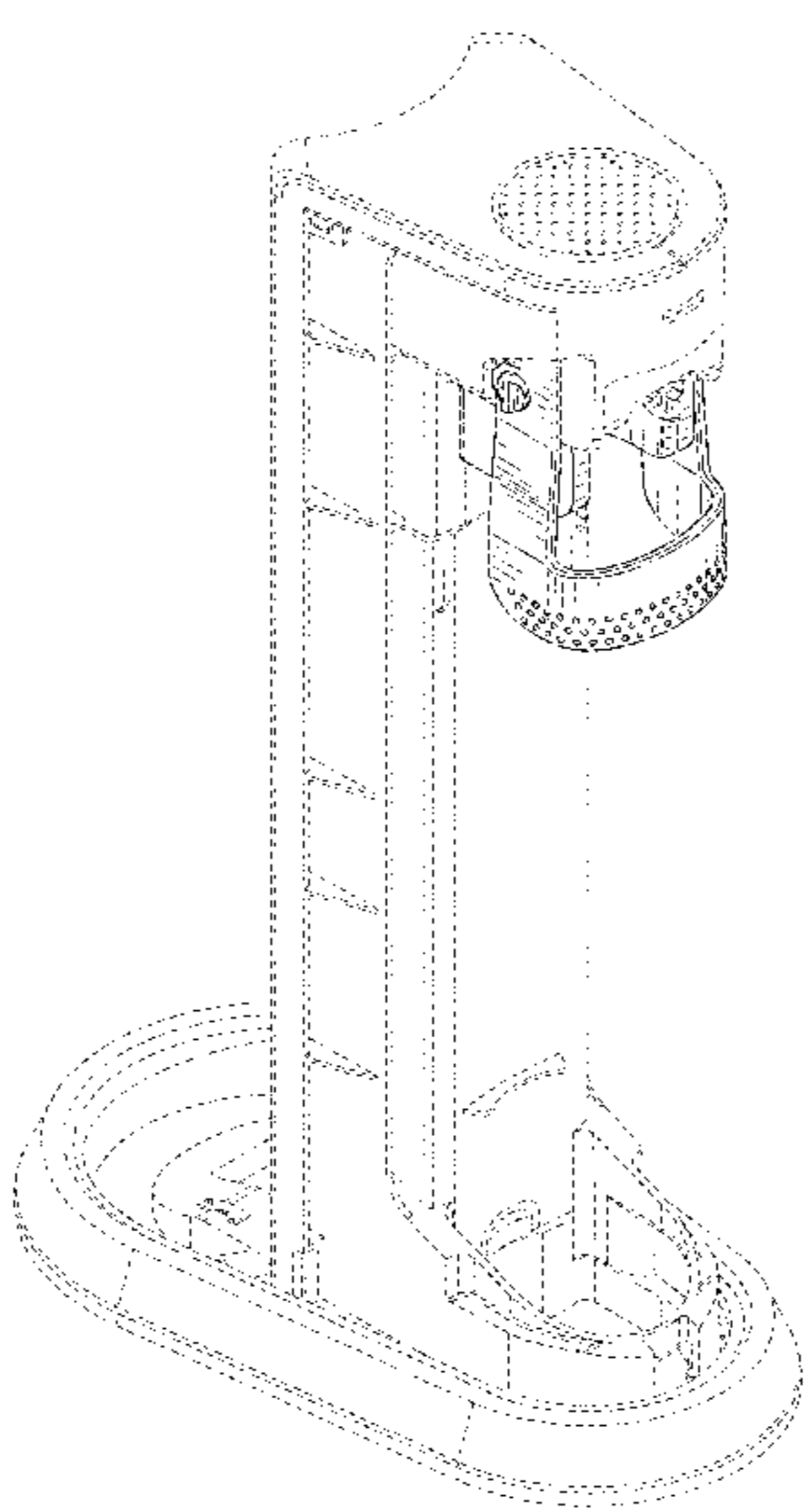
(57) **CLAIM**

The ornamental design for a carbonation mechanism, as shown and described.

**DESCRIPTION**

FIG. 1 is a front, left side, top perspective view of a carbonation mechanism showing our new design;  
FIG. 2 is a front elevation view thereof;  
FIG. 3 is a back elevation view thereof;  
FIG. 4 is a right side elevation view thereof;  
FIG. 5 is a left side elevation view thereof;  
FIG. 6 is a top plan view thereof; and,  
FIG. 7 is a bottom plan thereof.  
The broken lines shown portions of the carbonation mechanism that form no part of the claimed design.

**1 Claim, 5 Drawing Sheets**



(56)

**References Cited**

U.S. PATENT DOCUMENTS

D731,223 S \* 6/2015 Hatherell ..... D7/306  
D812,972 S \* 3/2018 Braunschweig ..... D7/398  
D834,869 S \* 12/2018 Ljungh ..... D7/306  
D879,534 S \* 3/2020 Donaghey ..... B01F 3/04815  
D7/306  
D893,249 S \* 8/2020 Liu ..... D7/398  
D906,043 S \* 12/2020 Hines ..... D7/397  
D922,816 S \* 6/2021 Marshall ..... D7/379  
D934,017 S \* 10/2021 Burrows ..... D7/300  
D937,621 S \* 12/2021 Bergman ..... A23L 2/54  
D7/306  
2014/0113045 A1\* 4/2014 Njaastad ..... B01F 3/04815  
426/477  
2016/0199795 A1\* 7/2016 Thangamuthu ..... A23L 2/54  
261/61

OTHER PUBLICATIONS

Carbonated Sparkling Water Makers, Sodastream, [online], [site visited Dec. 10, 2021], Available from internet URL: <https://sodastream.com/collections/sparkling-water-makers> (Year: 2021).\*

\* cited by examiner

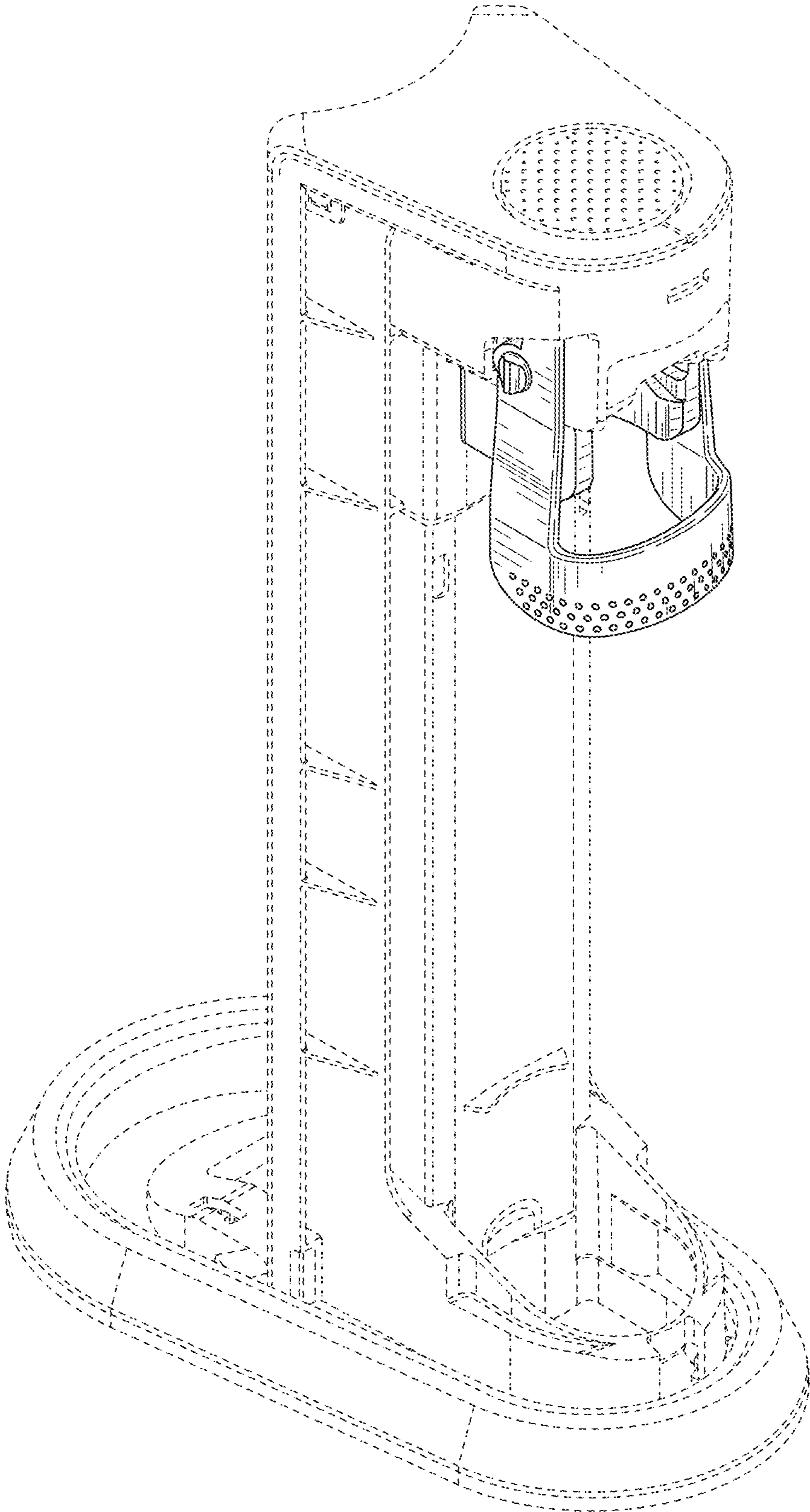


FIG. 1



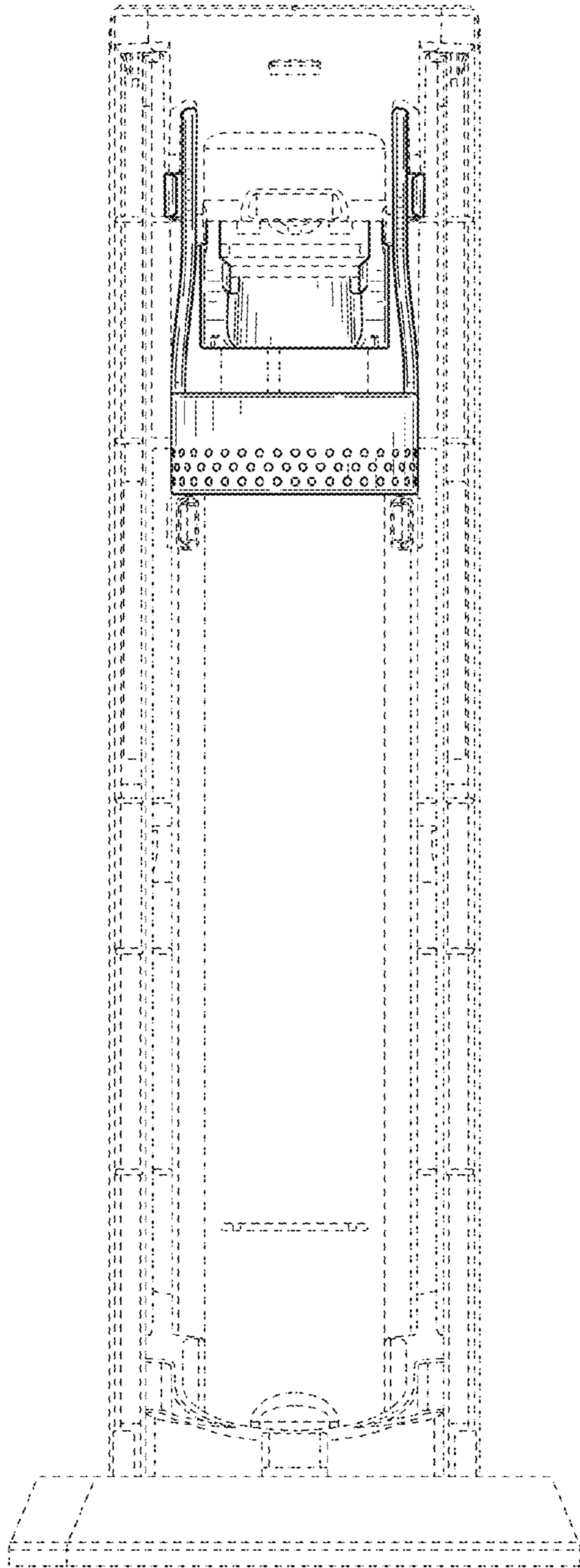


FIG. 2

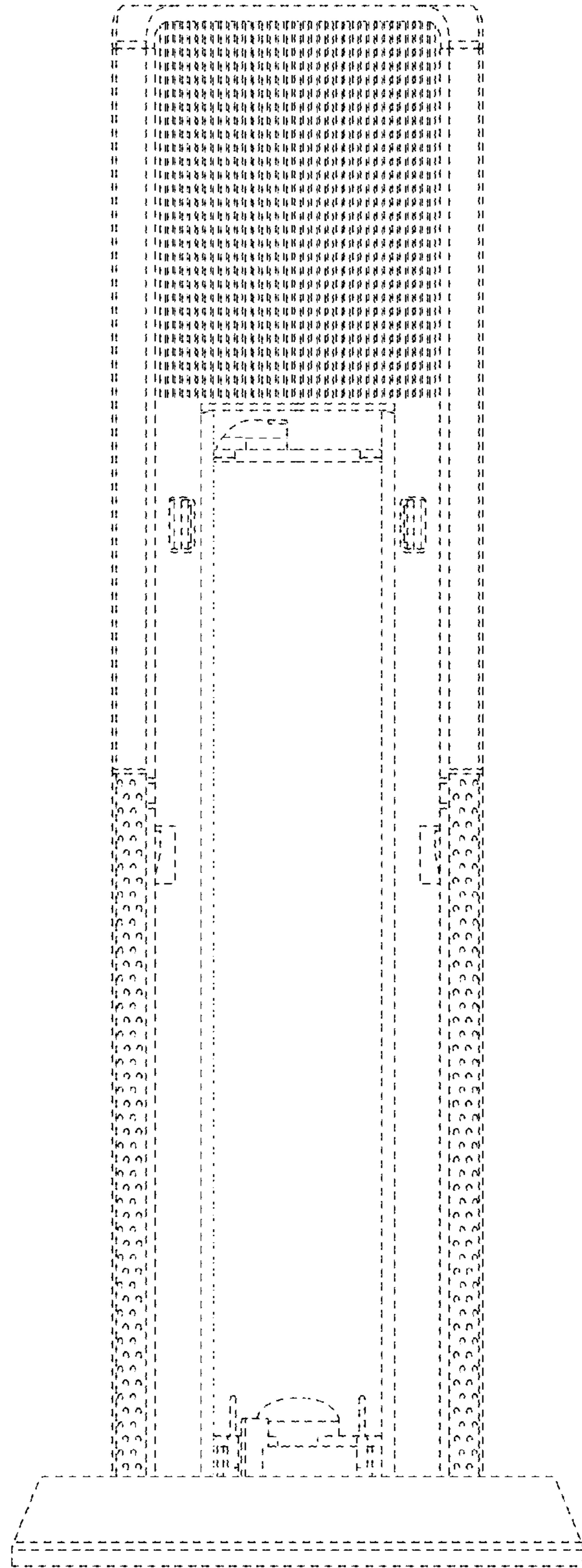


FIG. 3

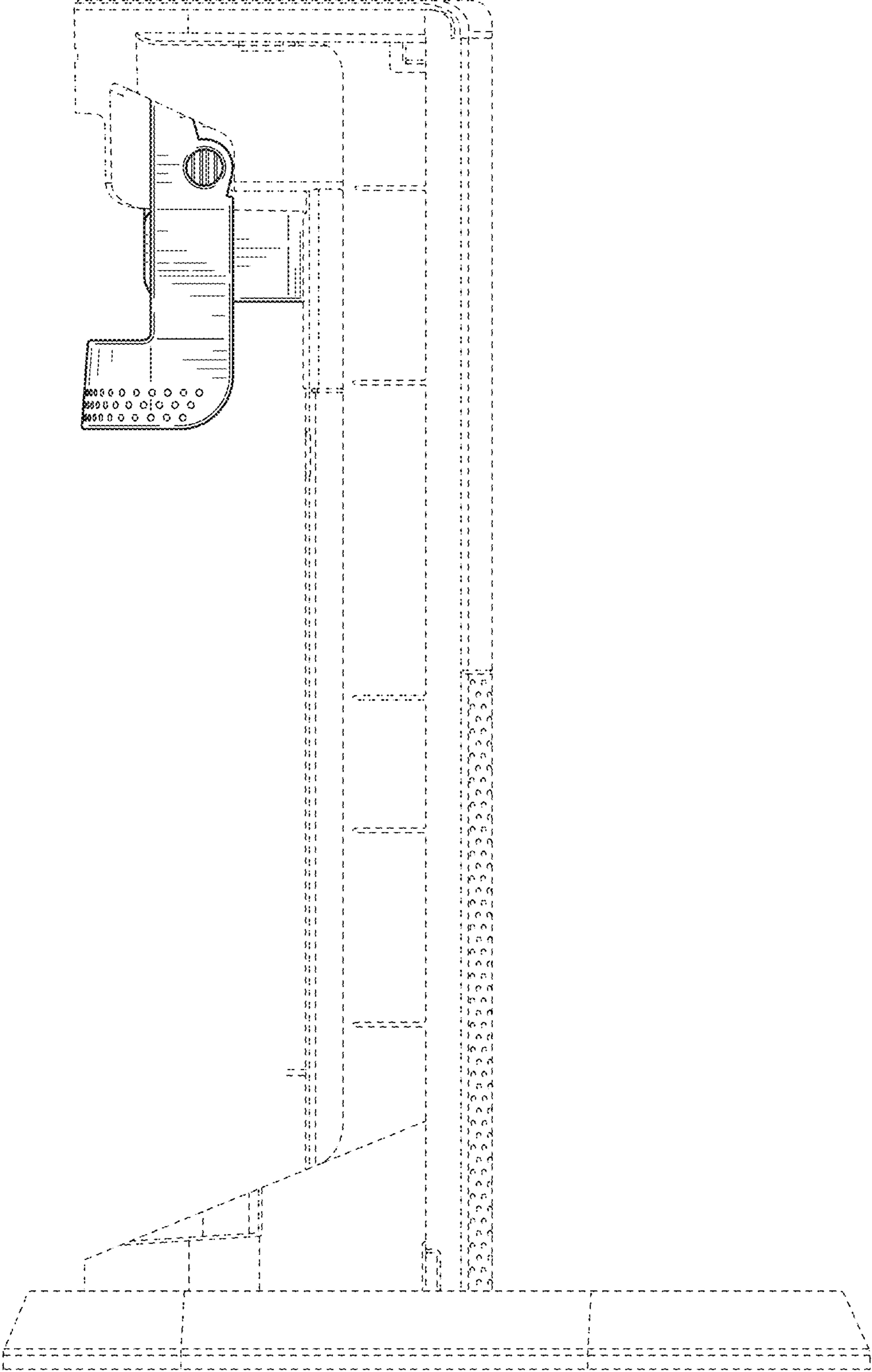


FIG. 4

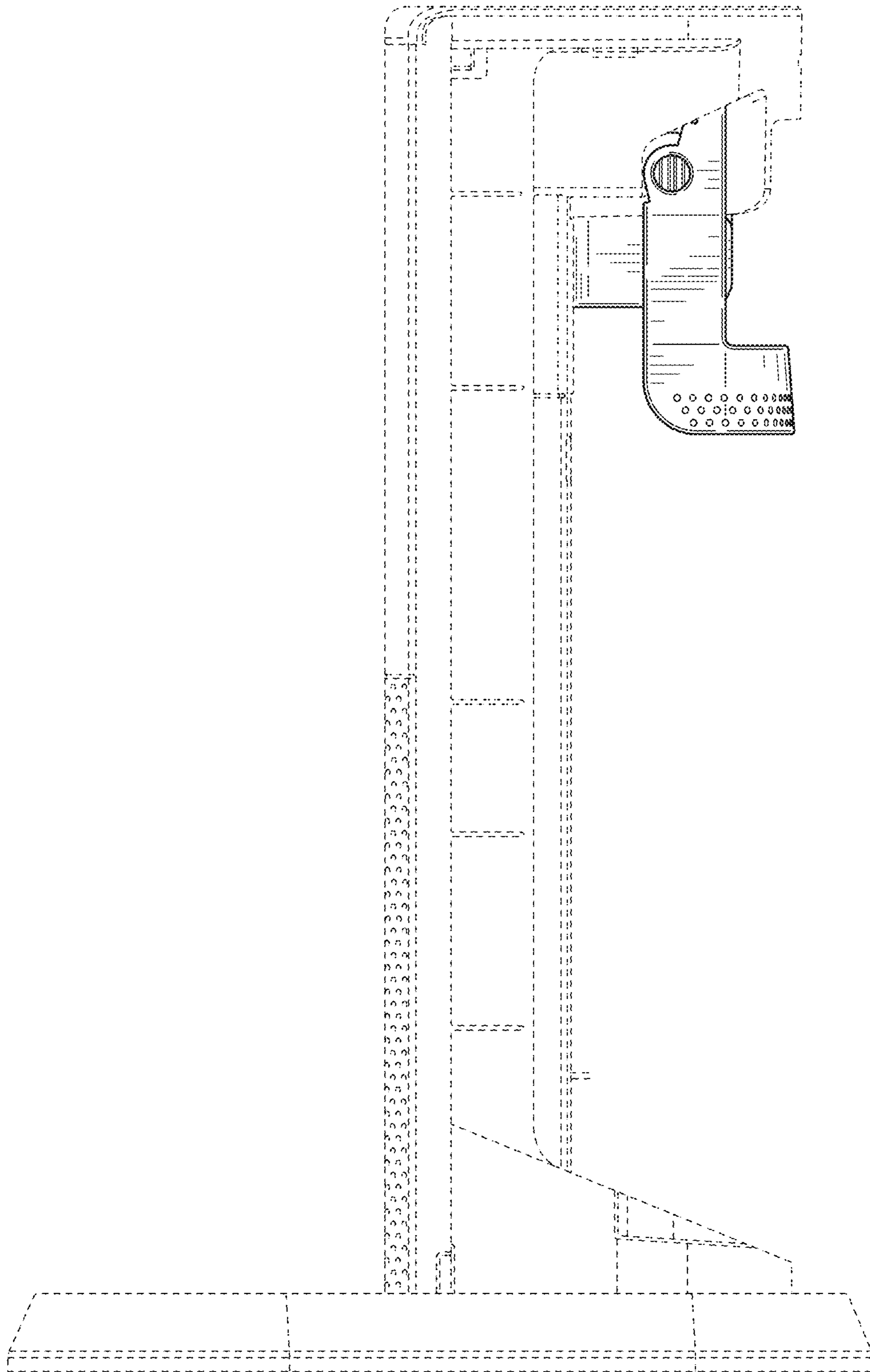


FIG. 5

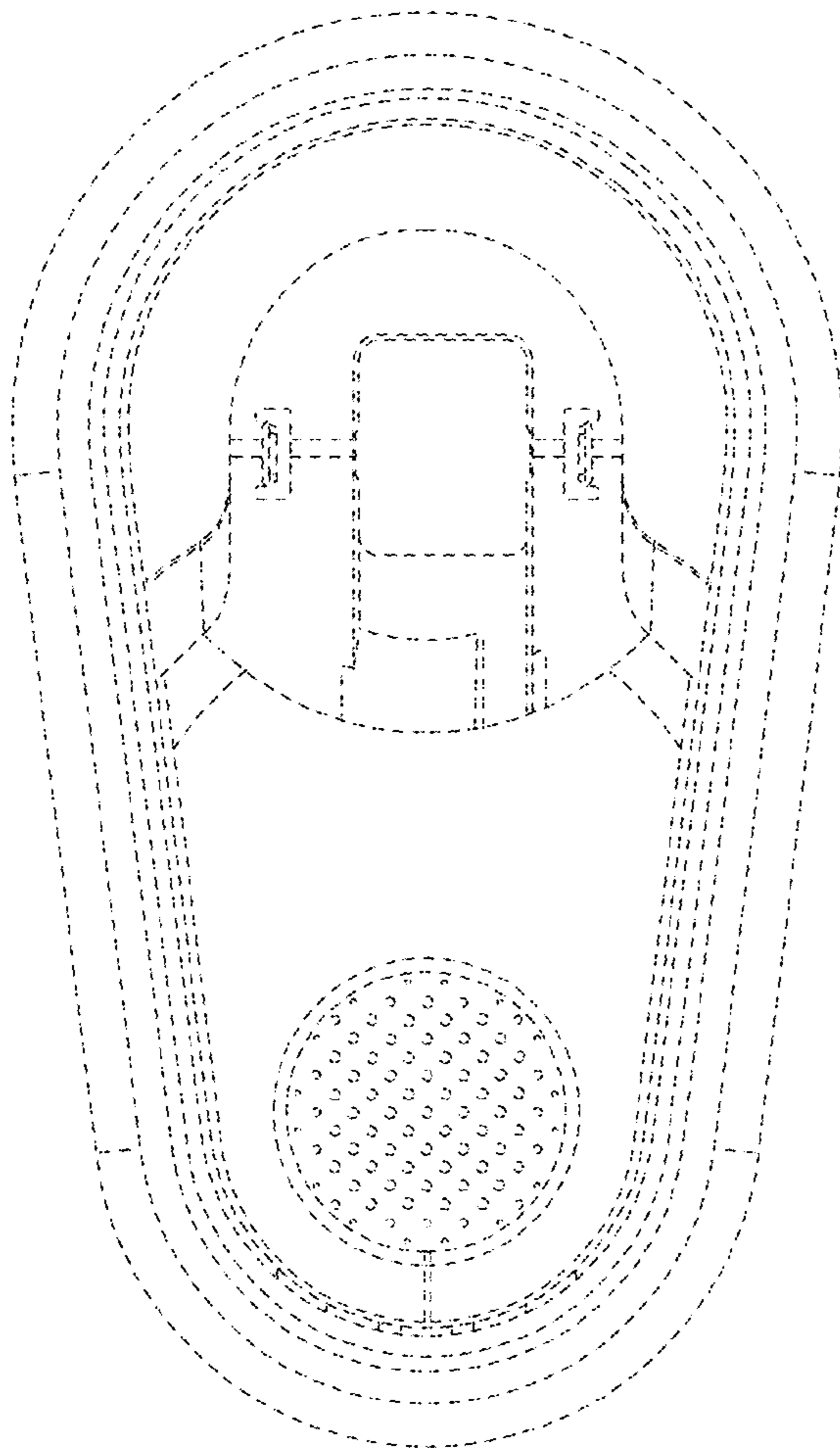


FIG. 6

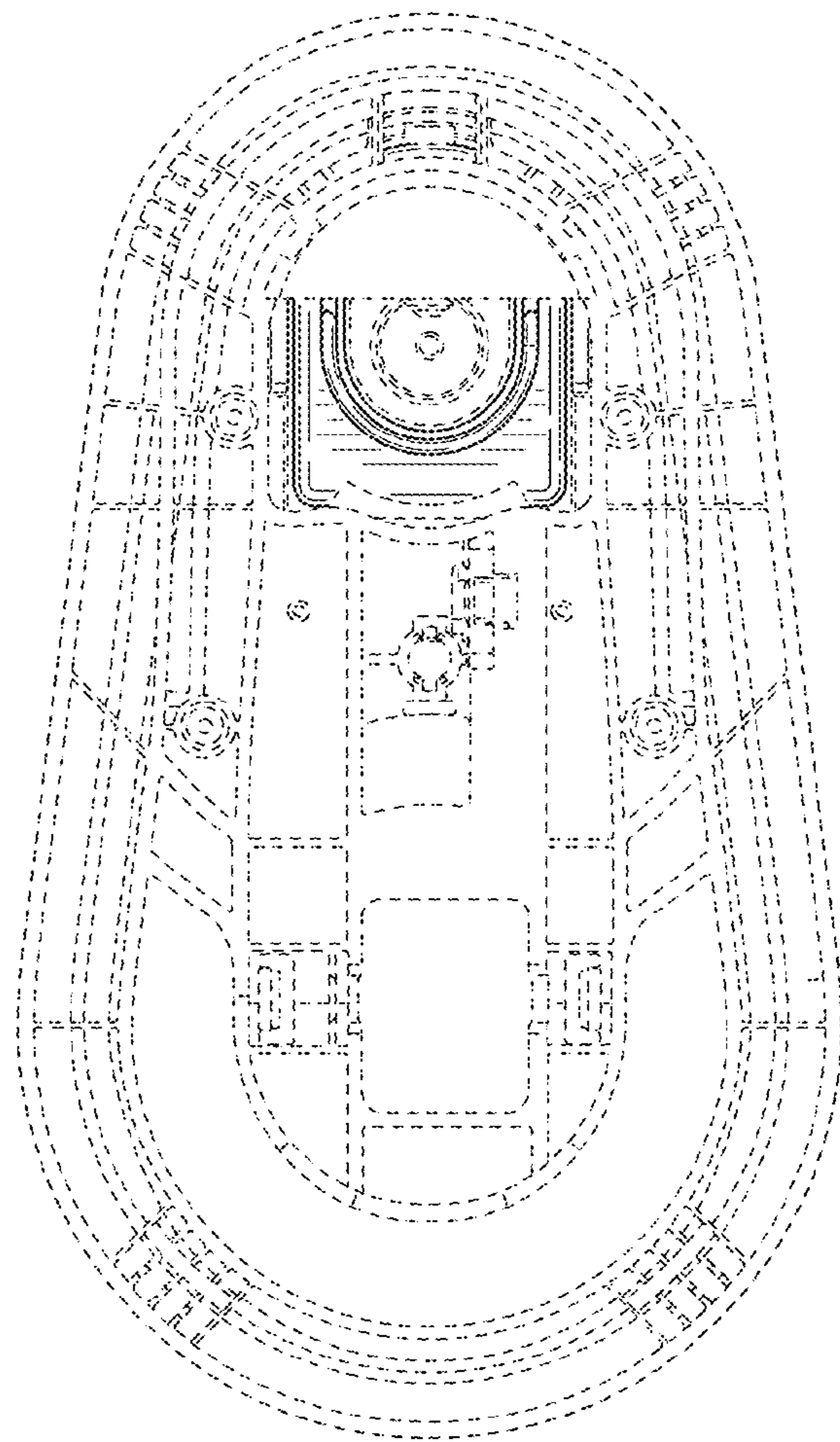


FIG. 7