



US00D947599S

(12) **United States Design Patent**
Roberts

(10) **Patent No.:** **US D947,599 S**

(45) **Date of Patent:** **** Apr. 5, 2022**

(54) **LID FOR DRINKING BOTTLE**

(71) Applicant: **James Christopher Roberts**, St Martin (JE)

(72) Inventor: **James Christopher Roberts**, St Martin (JE)

(73) Assignee: **Flashbay Electronics Hong Kong Limited**, Hong Kong (HK)

(**) Term: **15 Years**

(21) Appl. No.: **29/759,953**

(22) Filed: **Nov. 26, 2020**

(51) **LOC (13) Cl.** **07-99**

(52) **U.S. Cl.**
USPC **D7/392.1**

(58) **Field of Classification Search**
USPC D7/392, 392.1, 413, 509, 510, 534;
D9/435, 447, 449
CPC A47G 19/2272; A47G 19/22; B65D 43/02;
B65D 47/08
See application file for complete search history.

(56) **References Cited**

U.S. PATENT DOCUMENTS

- D612,197 S * 3/2010 Chan D7/392.1
- D686,073 S * 7/2013 Stull, Sr. D9/447
- D751,345 S * 3/2016 Lane D7/510
- D760,542 S * 7/2016 Vu D7/511
- 10,220,990 B2 * 3/2019 Cote, Sr. B65D 47/244

- D883,737 S * 5/2020 Bullock D7/396.2
- D883,738 S * 5/2020 Bullock D7/396.2
- D897,151 S * 9/2020 Bullock D7/396.2
- D902,034 S * 11/2020 Aydin D9/445
- 2011/0309094 A1 * 12/2011 Bodum A47G 19/2272
220/715

* cited by examiner

Primary Examiner — Karen S Acker
Assistant Examiner — Steven B Reinholdt, Jr.

(57) **CLAIM**

The ornamental design for a lid for drinking bottle, as shown and described.

DESCRIPTION

FIG. 1 is a right side view of the lid for drinking bottle, the left side being a mirror image thereof.
 FIG. 2 is a front view of the lid for drinking bottle.
 FIG. 3 is a rear view of the lid for drinking bottle.
 FIG. 4 is a top view of the lid for drinking bottle.
 FIG. 5 is a bottom view of the lid for drinking bottle.
 FIG. 6 is a front, top, right side perspective of the lid for drinking bottle in the closed position.
 FIG. 7 is a rear, top, right side perspective of the lid for drinking bottle in the closed position.
 FIG. 8 is a front, top, right side perspective of the lid for drinking bottle in the open position; and
 FIG. 9 is a rear, top, right side perspective of the lid for drinking bottle in the open position.
 In the drawings, the broken lines illustrate portions of the article which form no part of the claimed design.

1 Claim, 4 Drawing Sheets

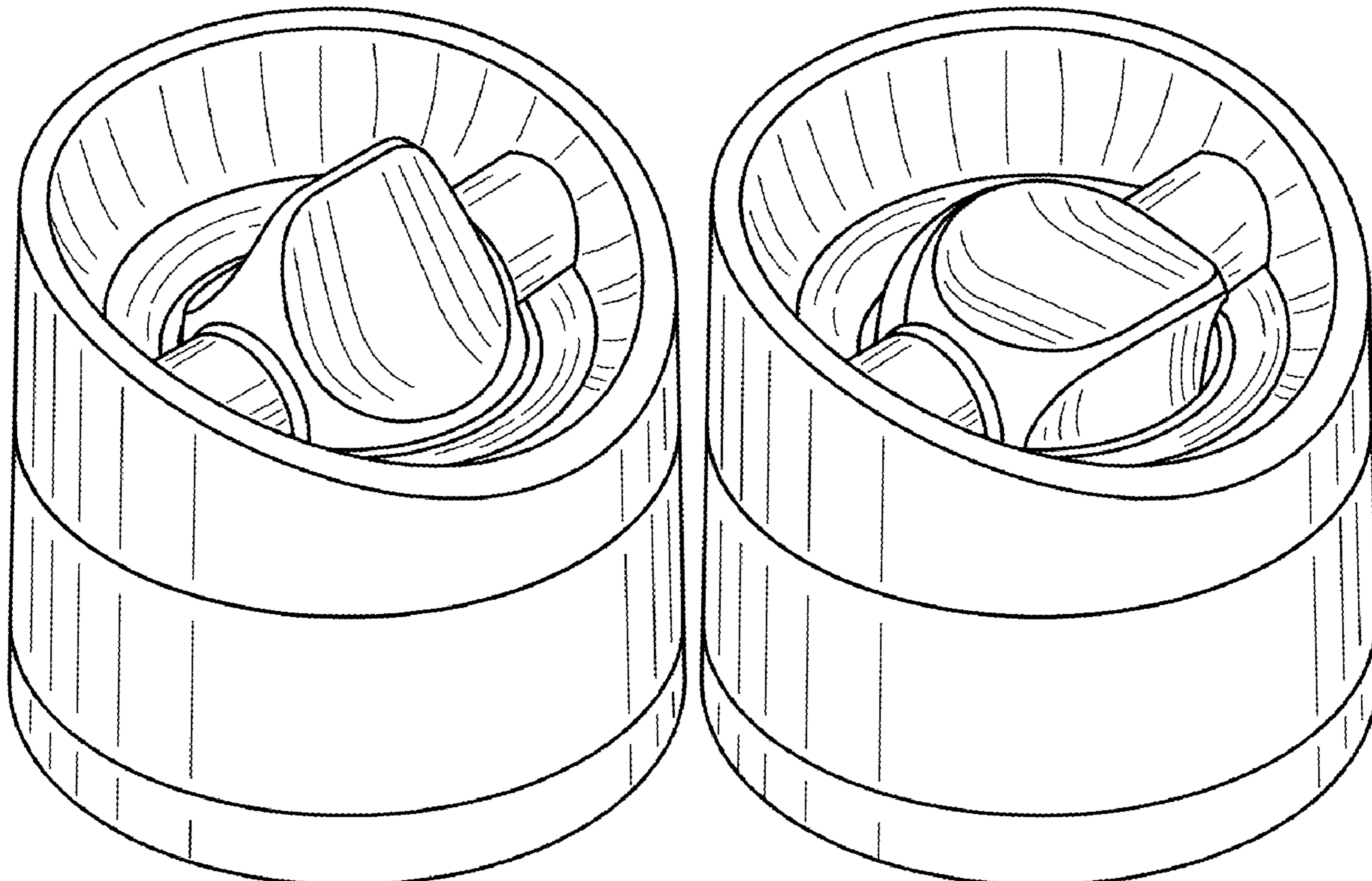


FIG.1

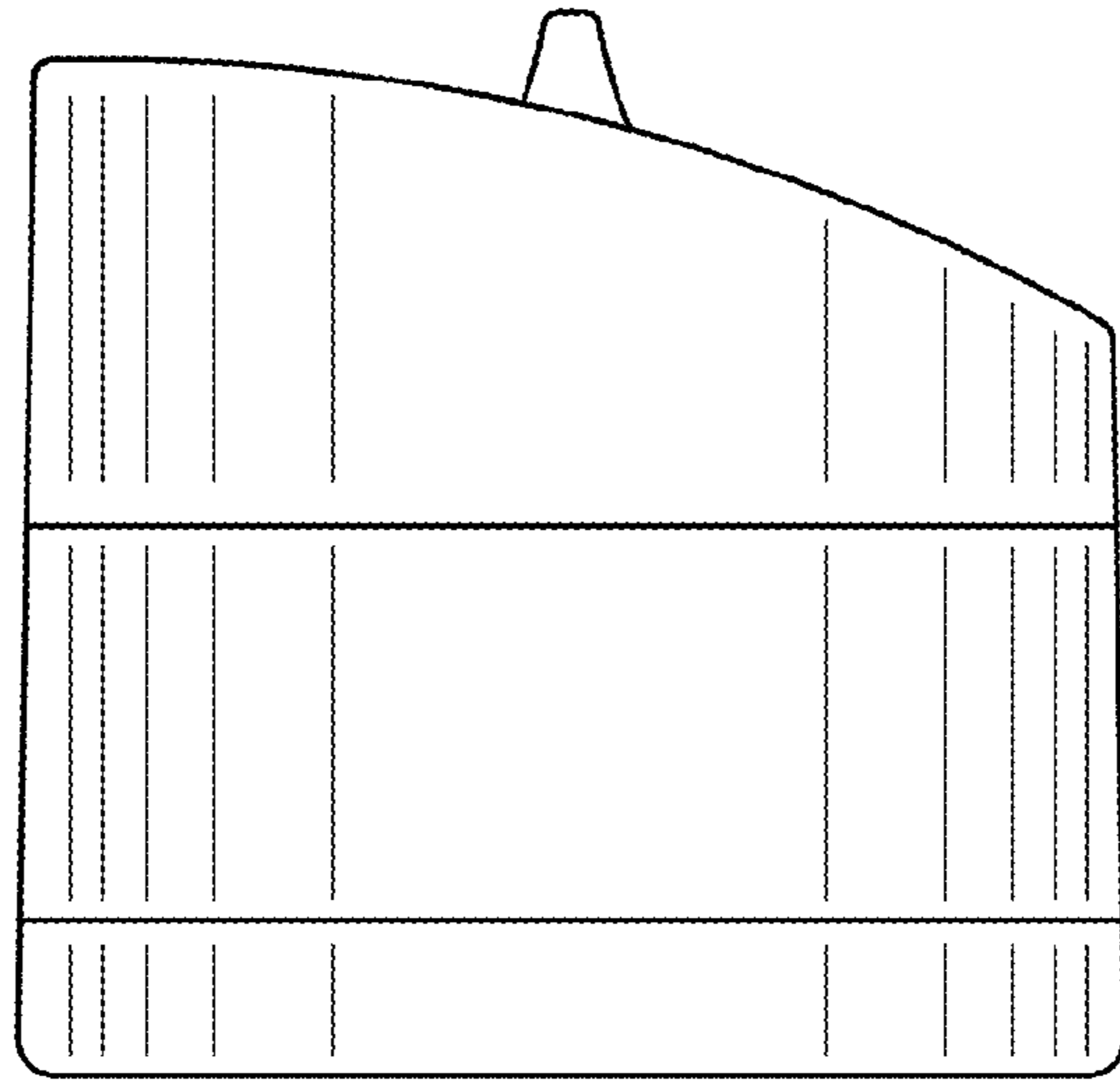


FIG.2

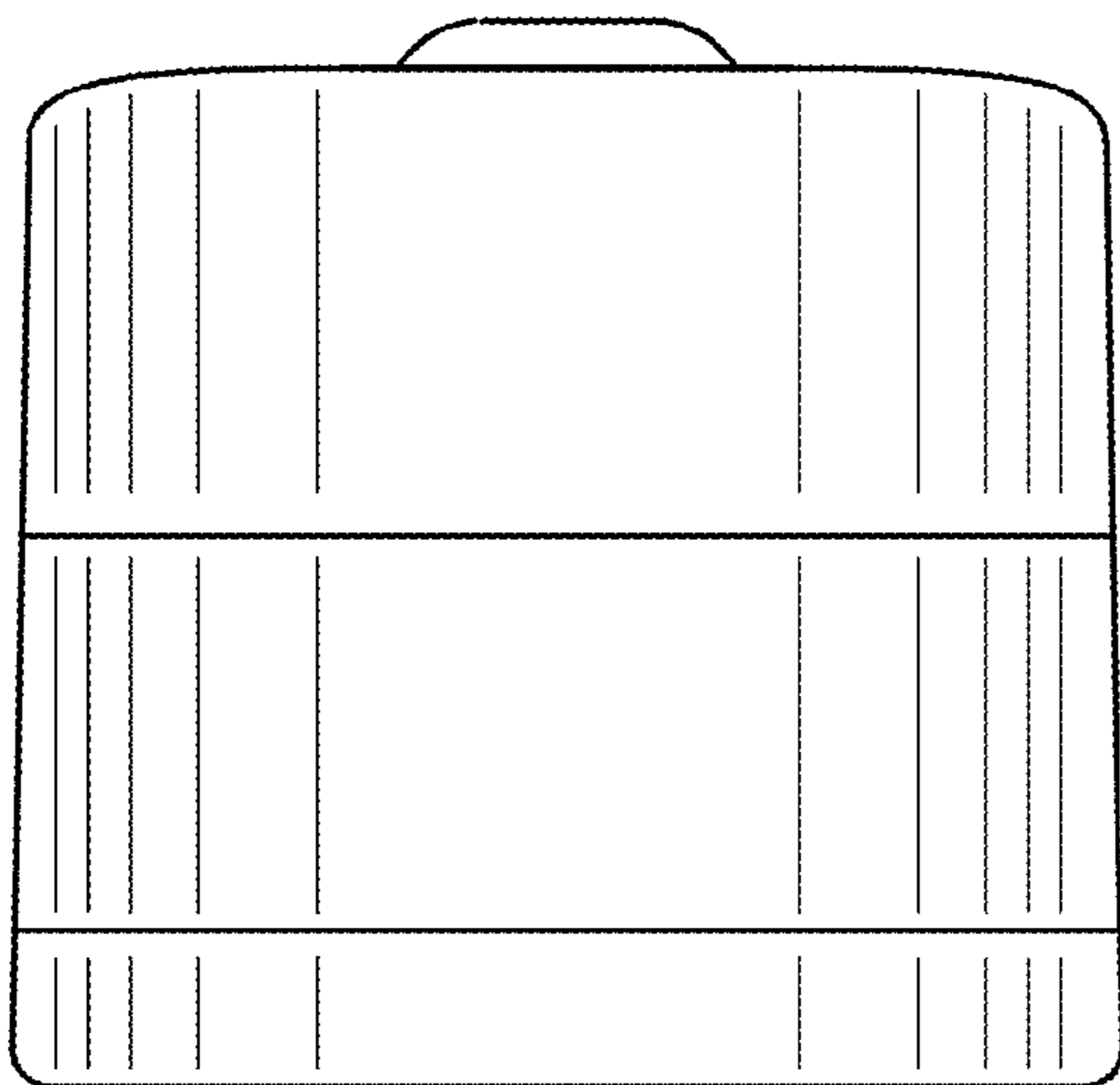


FIG.3

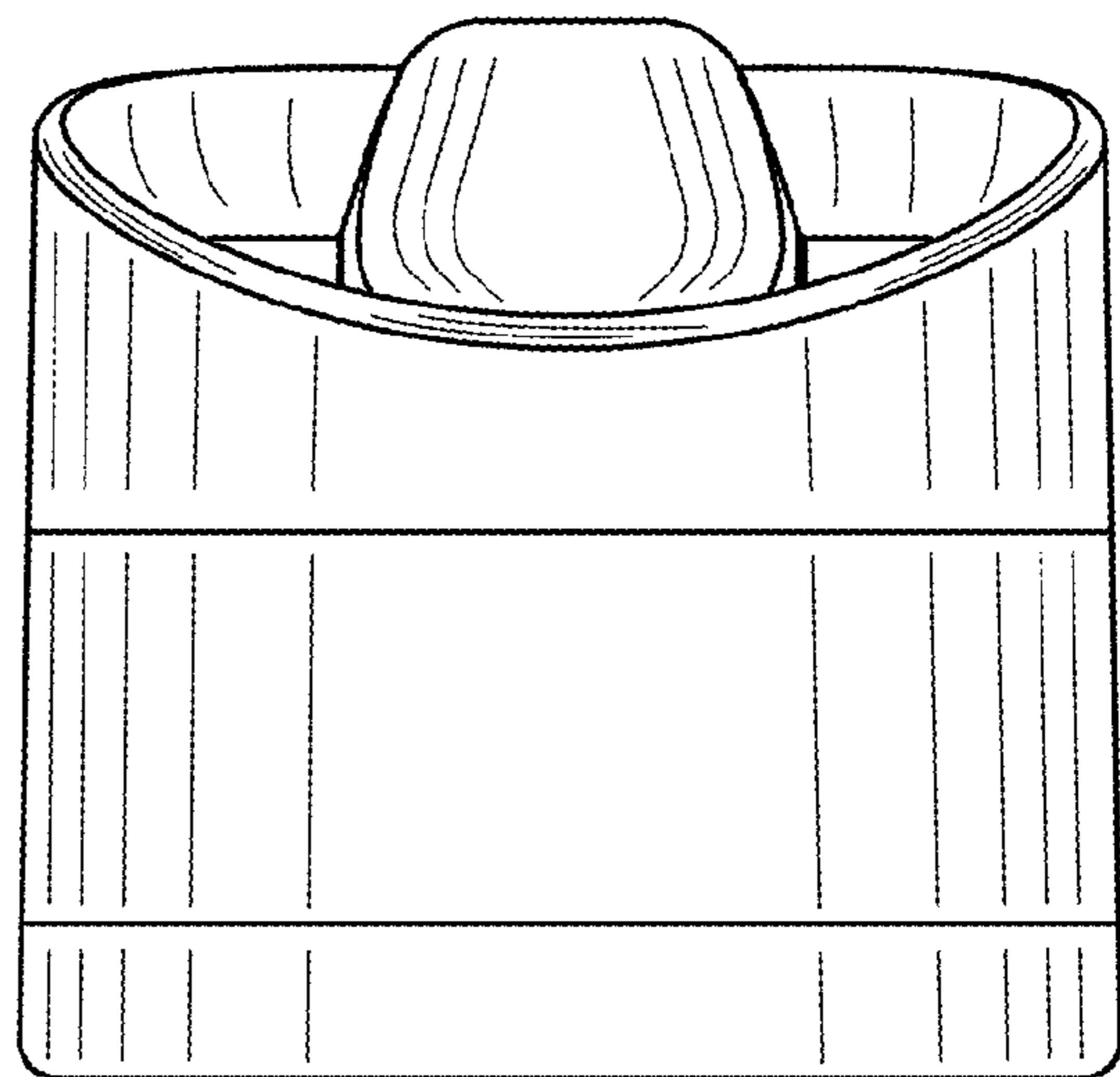


FIG.4

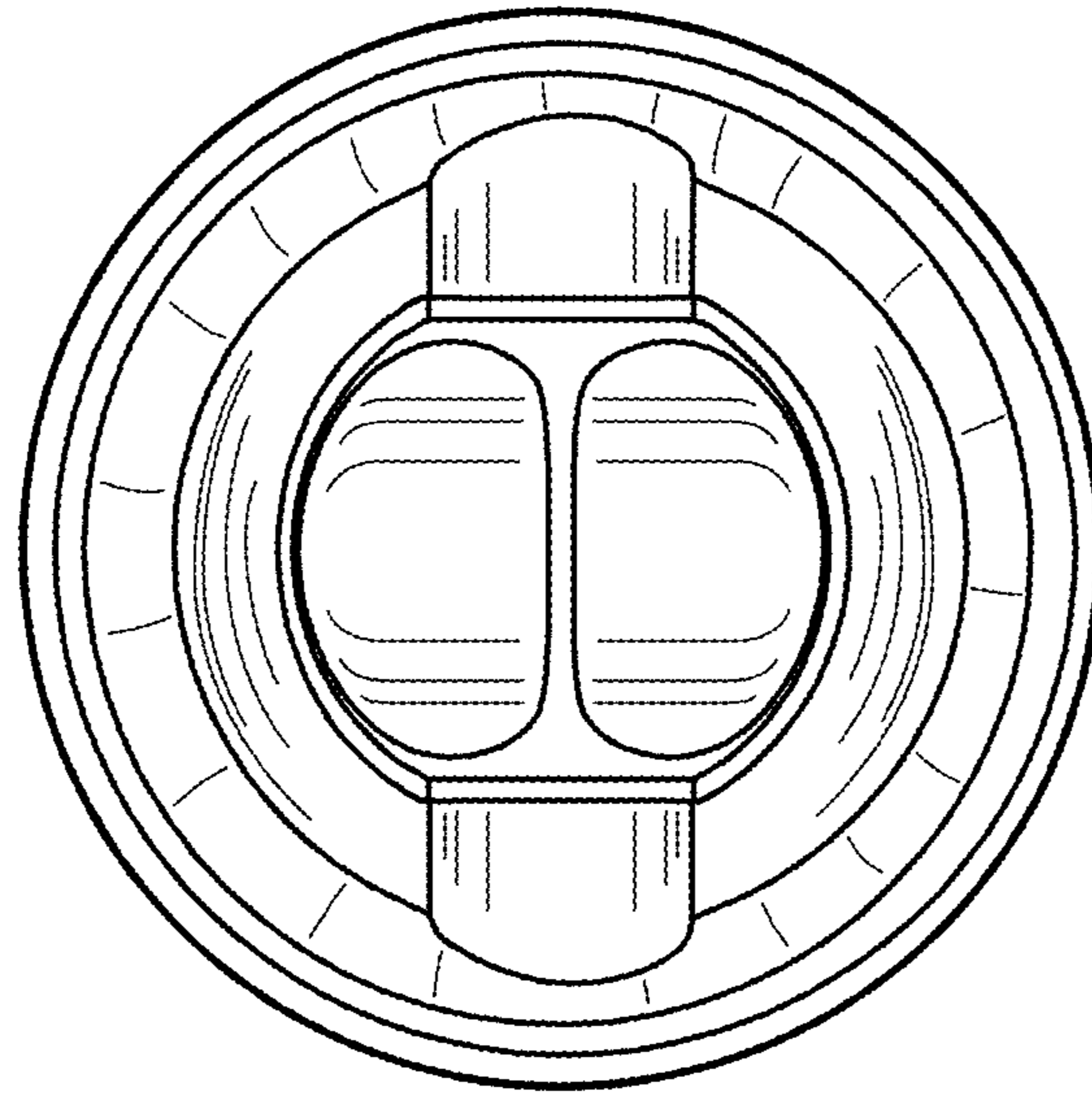


FIG.5

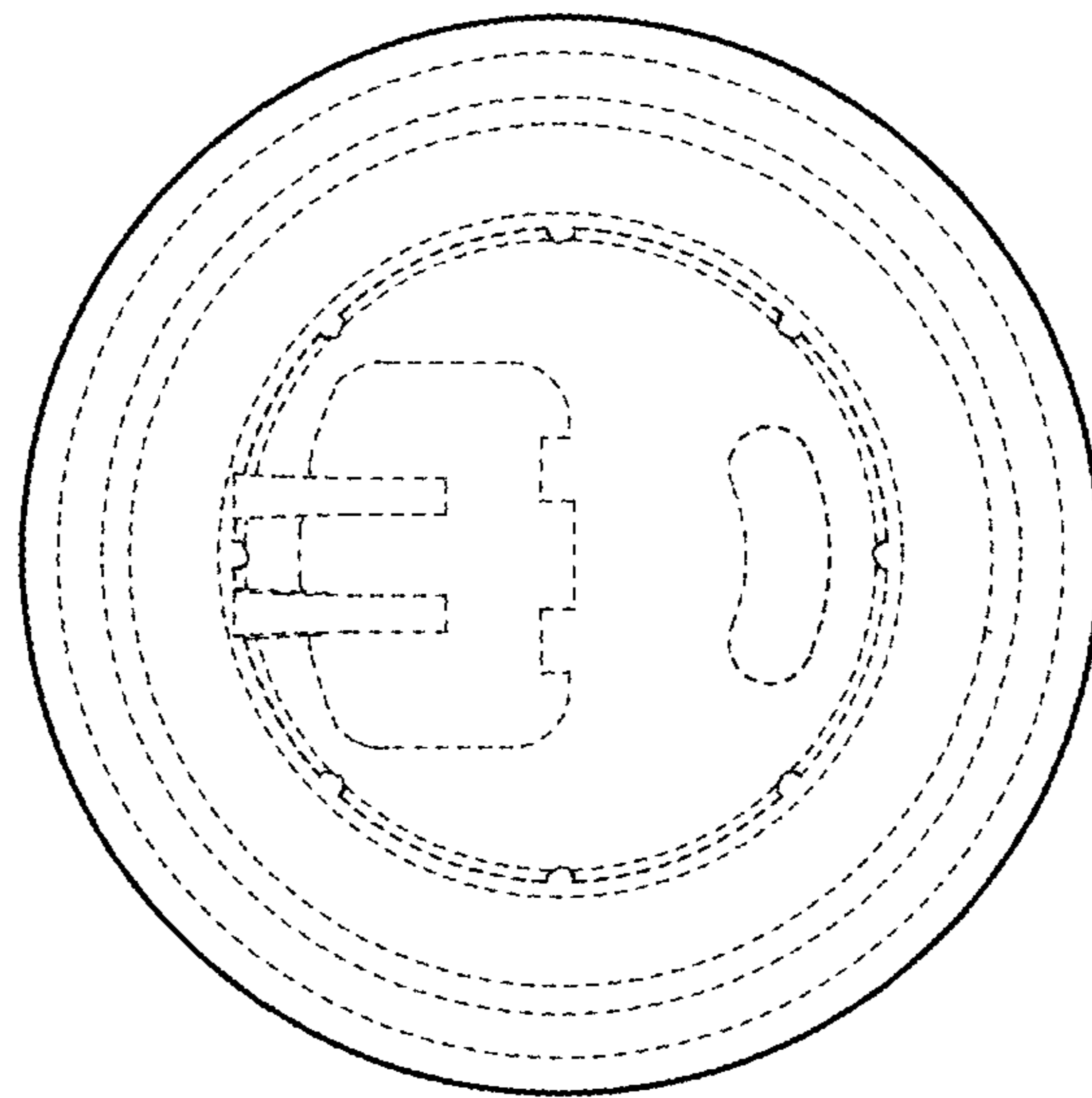


FIG.6

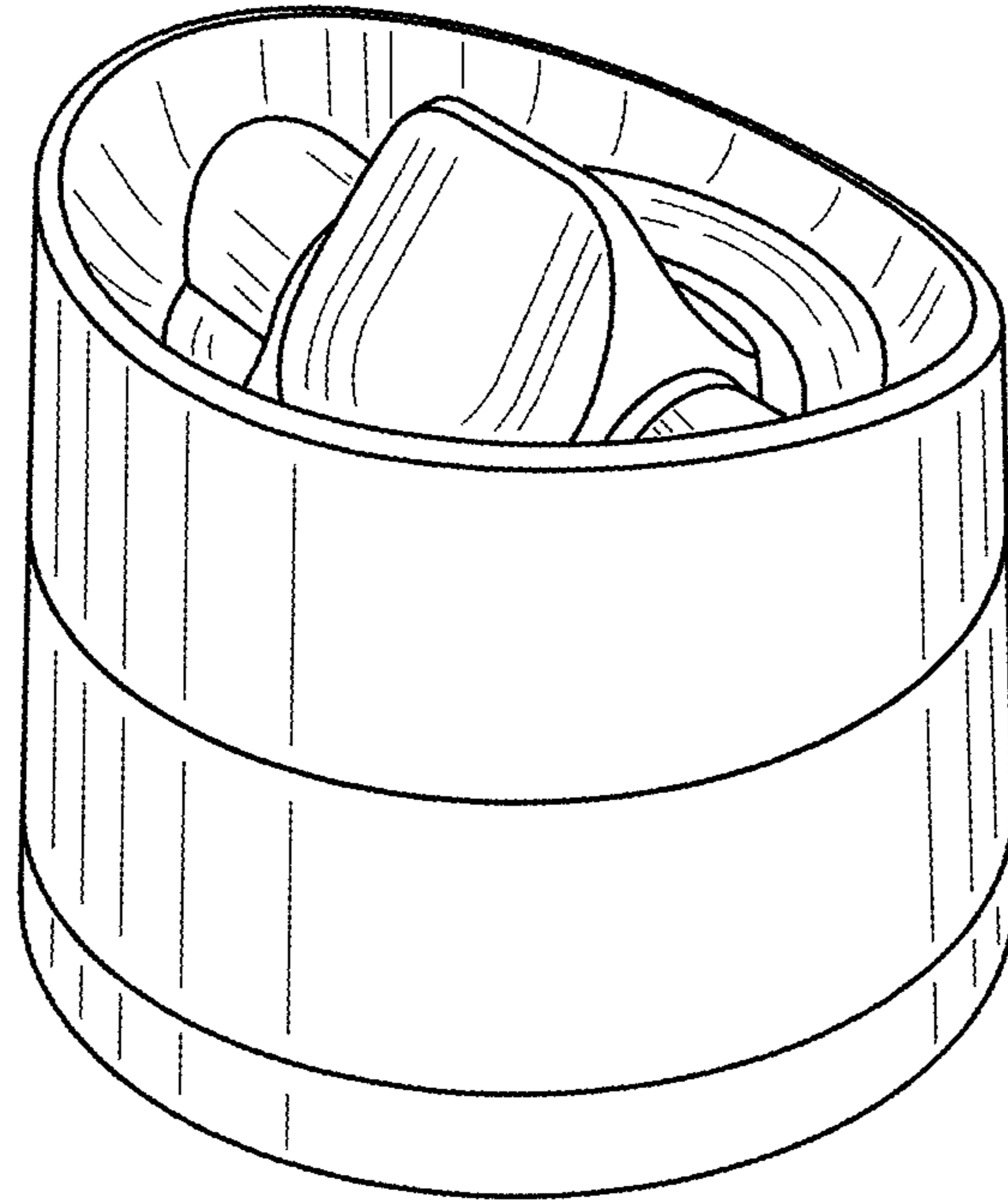


FIG.7

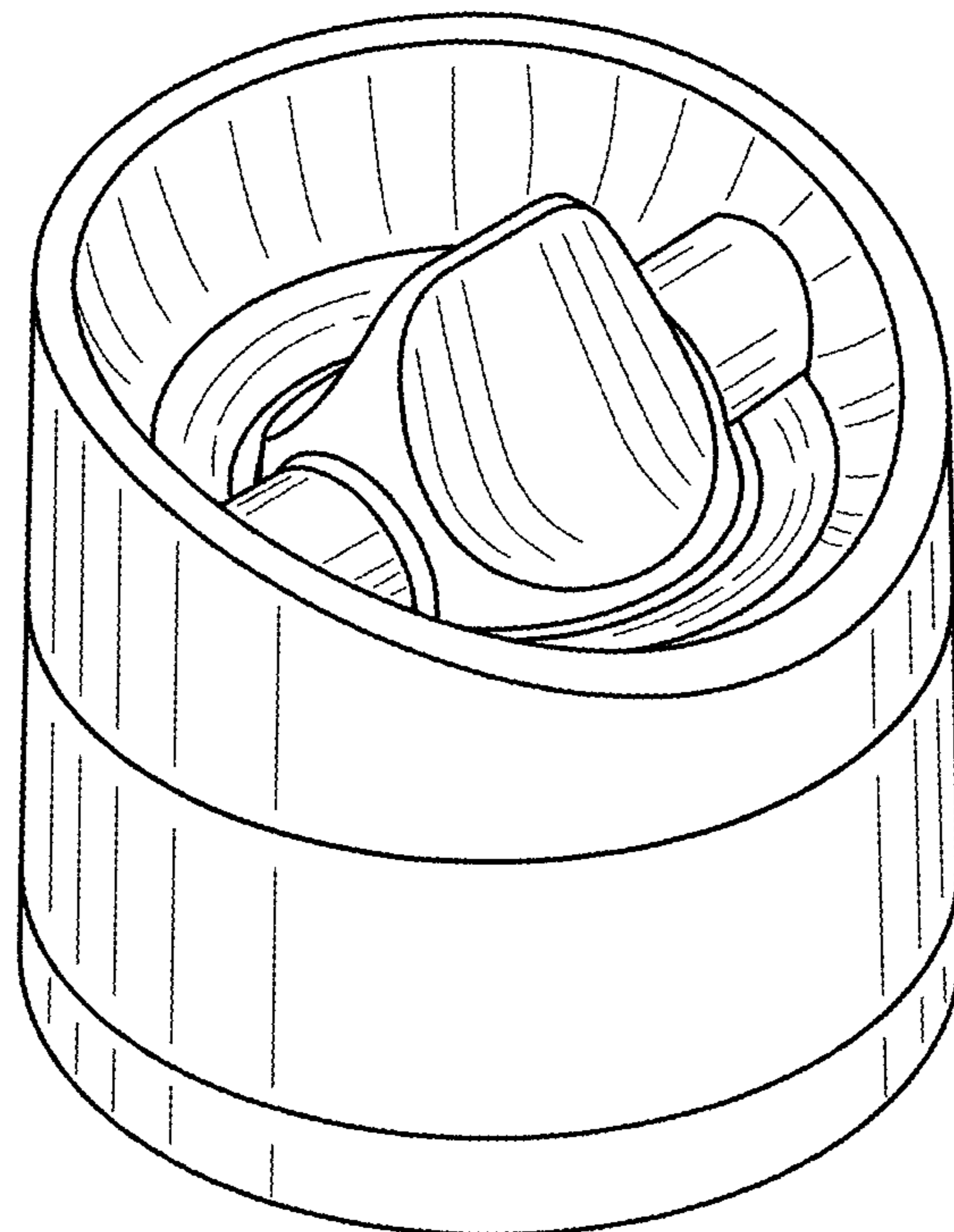


FIG.8

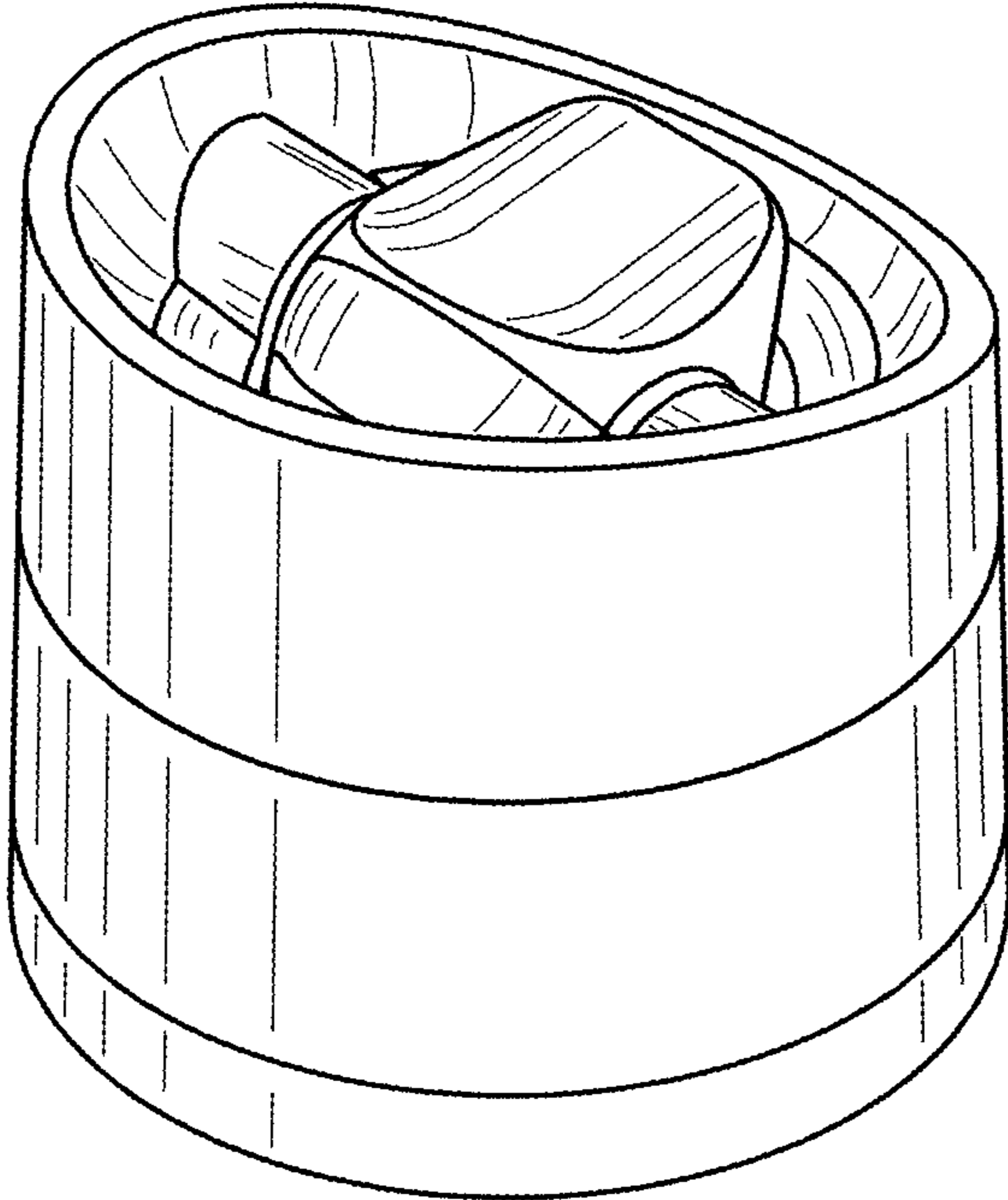


FIG.9

