



US00D947598S

(12) **United States Design Patent** (10) **Patent No.:** **US D947,598 S**  
**Wang et al.** (45) **Date of Patent:** **\*\* Apr. 5, 2022**

(54) **MOUTH STRAW LID**  
(71) Applicant: **TIANJIN HONGHONG HUOHUO TECHNOLOGY CO., LTD.**, Tianjin (CN)  
(72) Inventors: **Huabo Wang**, Shijiazhuang (CN); **Zhitong Chen**, Yongkang (CN); **Weichen Liang**, Yongcheng (CN)  
(73) Assignee: **TIANJIN HONGKONG HUOHUO TECHNOLOGY CO., LTD.**, Tianjin (CN)  
(\*\*) Term: **15 Years**  
(21) Appl. No.: **29/749,308**  
(22) Filed: **Sep. 4, 2020**  
(51) **LOC (13) Cl.** ..... **07-99**  
(52) **U.S. Cl.**  
USPC ..... **D7/392.1**  
(58) **Field of Classification Search**  
USPC ..... D7/387, 391, 392, 392.1, 396.1, 396.2; D9/438, 440, 443, 434, 435, 439, 446, D9/447, 449, 454  
CPC ..... B65D 81/3841; B65D 81/3839; B65D 41/0414; B65D 85/72  
See application file for complete search history.

(56) **References Cited**  
U.S. PATENT DOCUMENTS  
D729,569 S \* 5/2015 Herbst ..... D7/510  
D747,136 S \* 1/2016 Lane ..... D7/396.2  
D841,398 S \* 2/2019 Gauss ..... D7/532  
D870,508 S \* 12/2019 Palkon ..... D7/392.1  
D896,573 S \* 9/2020 Wu ..... D7/392.1  
D900,537 S \* 11/2020 Yao ..... D7/392.1  
D903,403 S \* 12/2020 Ames ..... D7/392.1  
D911,101 S \* 2/2021 Fang ..... D9/450  
D916,560 S \* 4/2021 Wu ..... D7/392.1  
D917,953 S \* 5/2021 Yao ..... D9/516  
D922,135 S \* 6/2021 Chen ..... D7/392.1  
D923,394 S \* 6/2021 Gu ..... D7/392.1

D925,279 S \* 7/2021 Wang ..... D7/396.2  
D934,623 S \* 11/2021 Wang ..... D7/392.1  
D935,265 S \* 11/2021 Chen ..... D7/392.1  
D938,223 S \* 12/2021 Chen ..... D7/392.1  
D939,888 S \* 1/2022 Wang ..... D7/392.1  
2021/0002041 A1\* 1/2021 Starner ..... B65D 47/066

**OTHER PUBLICATIONS**

Sport Straw Cap Flip Top Lid: announced [Nov. 8, 2020, online]. Site Visited [Jan. 29, 2022]. Available from Internet URL: [https://www.amazon.com/Coldest-Water-Insulated-Standard-Mouth/dp/B07CDP4JD7/ref=sr\\_1\\_3\\_sspa?crd=2HJMLWG8G6YWR&keyword=s=The+coldest+water+insulated+wide+mouth+size+2.0&qid=164348.\\*](https://www.amazon.com/Coldest-Water-Insulated-Standard-Mouth/dp/B07CDP4JD7/ref=sr_1_3_sspa?crd=2HJMLWG8G6YWR&keyword=s=The+coldest+water+insulated+wide+mouth+size+2.0&qid=164348.*)  
Paravolve High Performance Straw Lid for Hydro Flask and Nalgene: Announced Sep. 3, 2021 [online]. Site Visited [Jan. 29, 2022]. Available from Internet URL: [https://www.amazon.com/Paravolve-Performance-Nalgene-Smart-Vent-Insulated/dp/B09FCVXYFB/ref=sr\\_1\\_1?crd=2TV2U7LFTVPDM&keywords=high+performance+11643489135&sprefix=high+performance+lid+for+hydro+flask+and+nalgene%2Caps%2C65&sr=8-1.\\*](https://www.amazon.com/Paravolve-Performance-Nalgene-Smart-Vent-Insulated/dp/B09FCVXYFB/ref=sr_1_1?crd=2TV2U7LFTVPDM&keywords=high+performance+11643489135&sprefix=high+performance+lid+for+hydro+flask+and+nalgene%2Caps%2C65&sr=8-1.*)

\* cited by examiner

*Primary Examiner* — Catherine S Posthauer

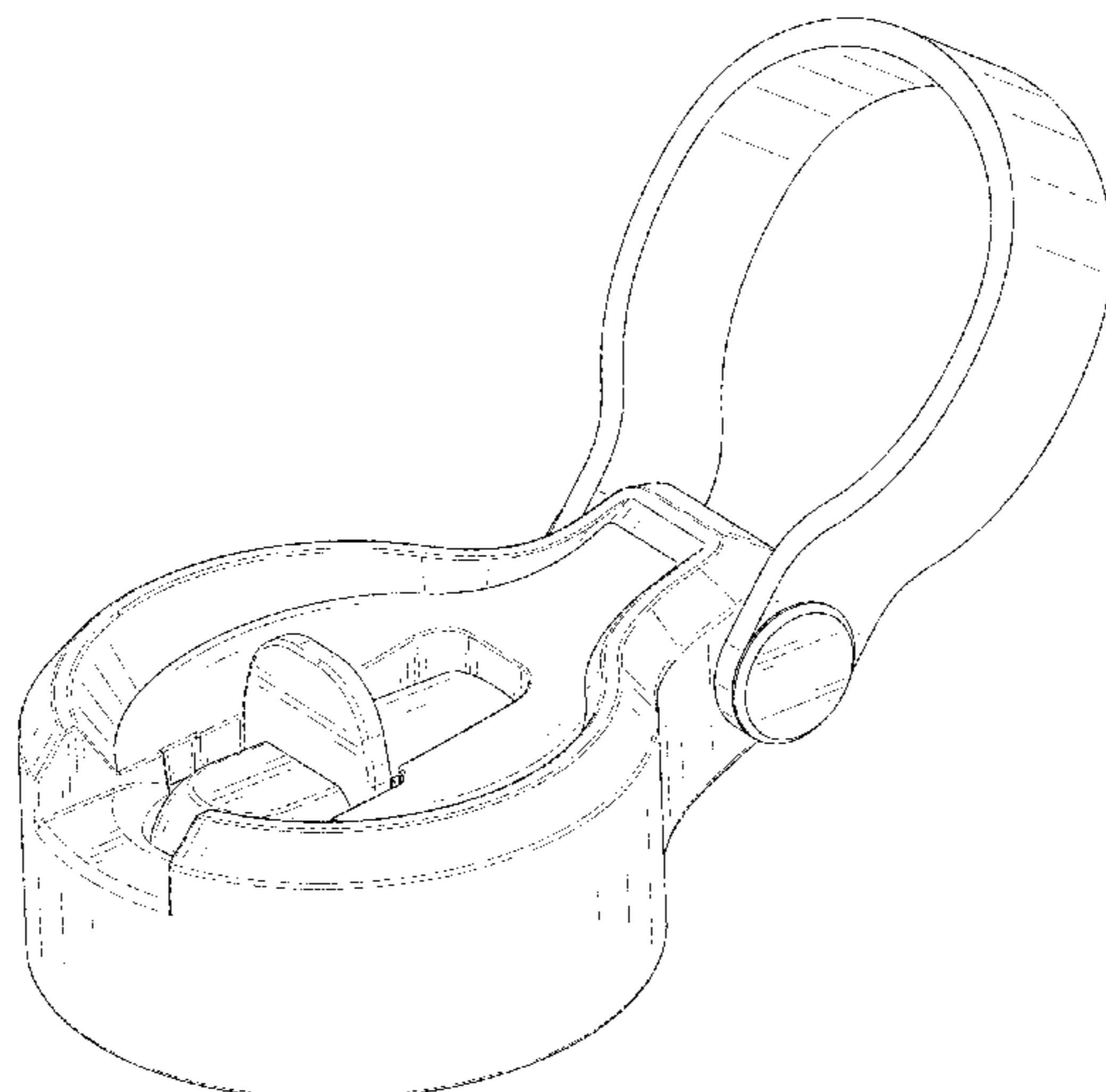
(57) **CLAIM**

The ornamental design for a mouth straw lid, as shown and described.

**DESCRIPTION**

FIG. 1 is a perspective view of a mouth straw lid showing my new design;  
FIG. 2 is another perspective view thereof;  
FIG. 3 is a front elevational view thereof;  
FIG. 4 is a rear elevational view thereof;  
FIG. 5 is a left side elevational view thereof;  
FIG. 6 is a right side elevational view thereof;  
FIG. 7 is a top plan view thereof; and,  
FIG. 8 is a bottom plan view thereof.  
The broken lines in the drawings depict portions of the mouth straw lid that form no part of the claimed design.

**1 Claim, 8 Drawing Sheets**



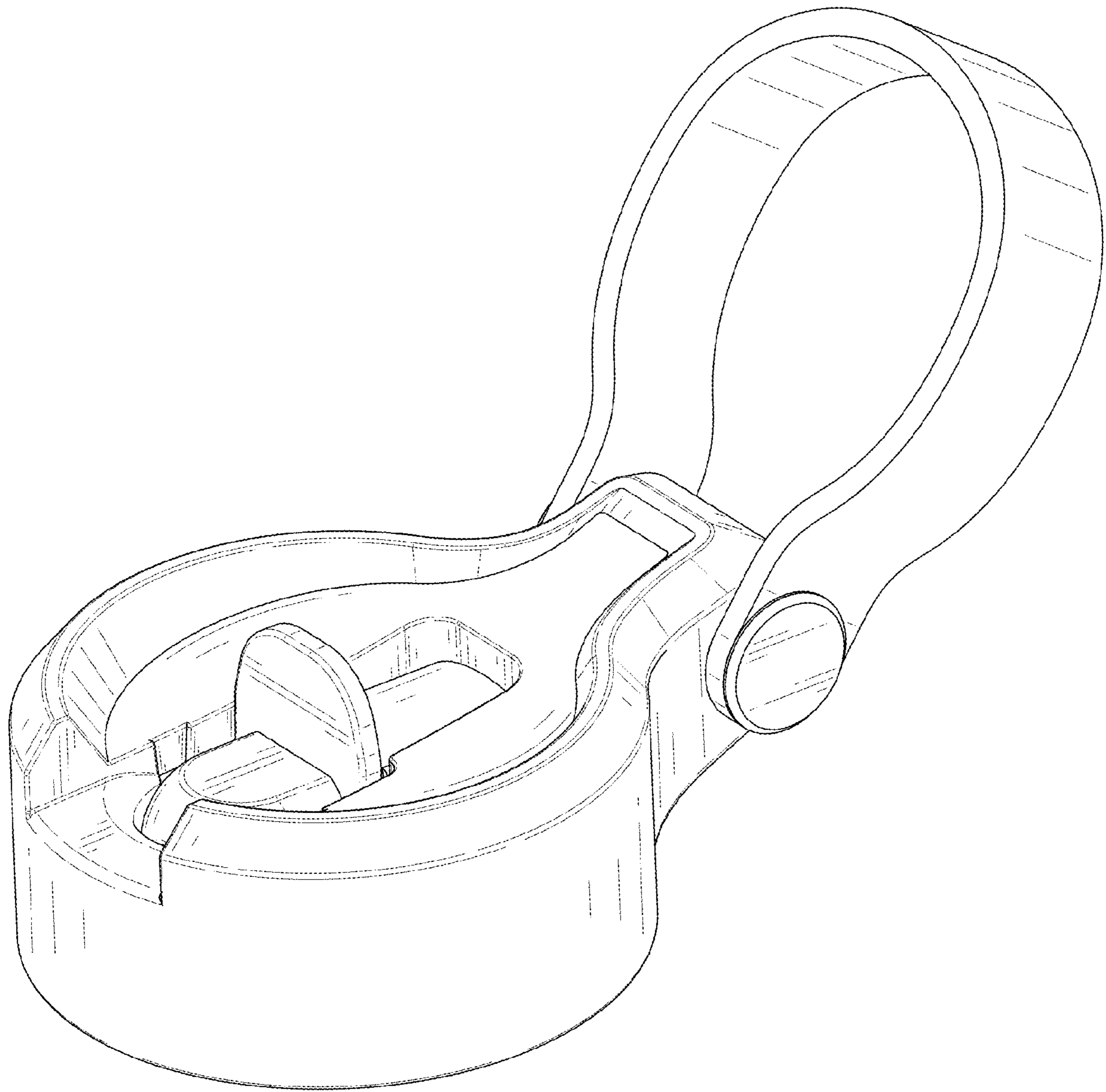


FIG. 1

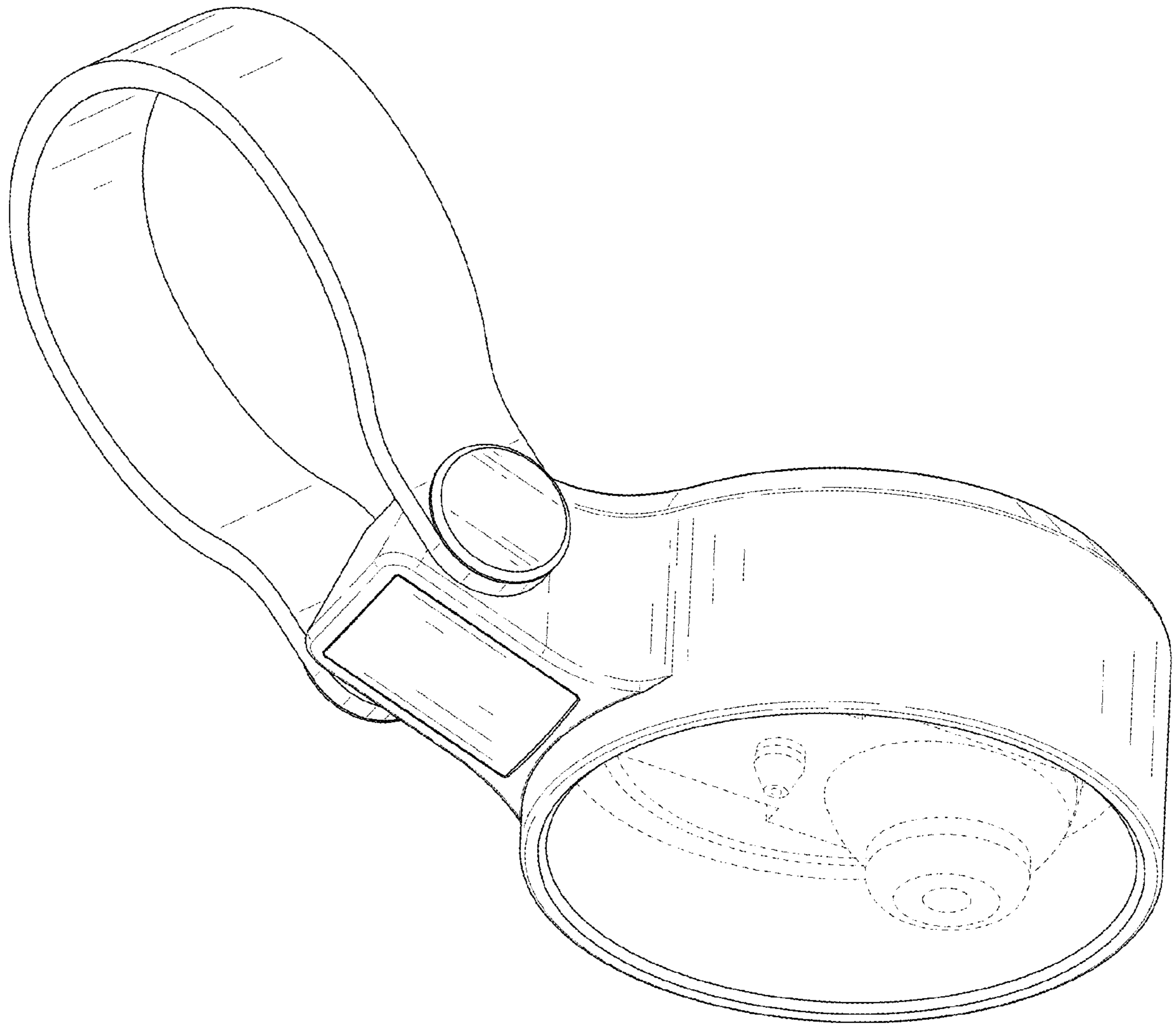


FIG. 2

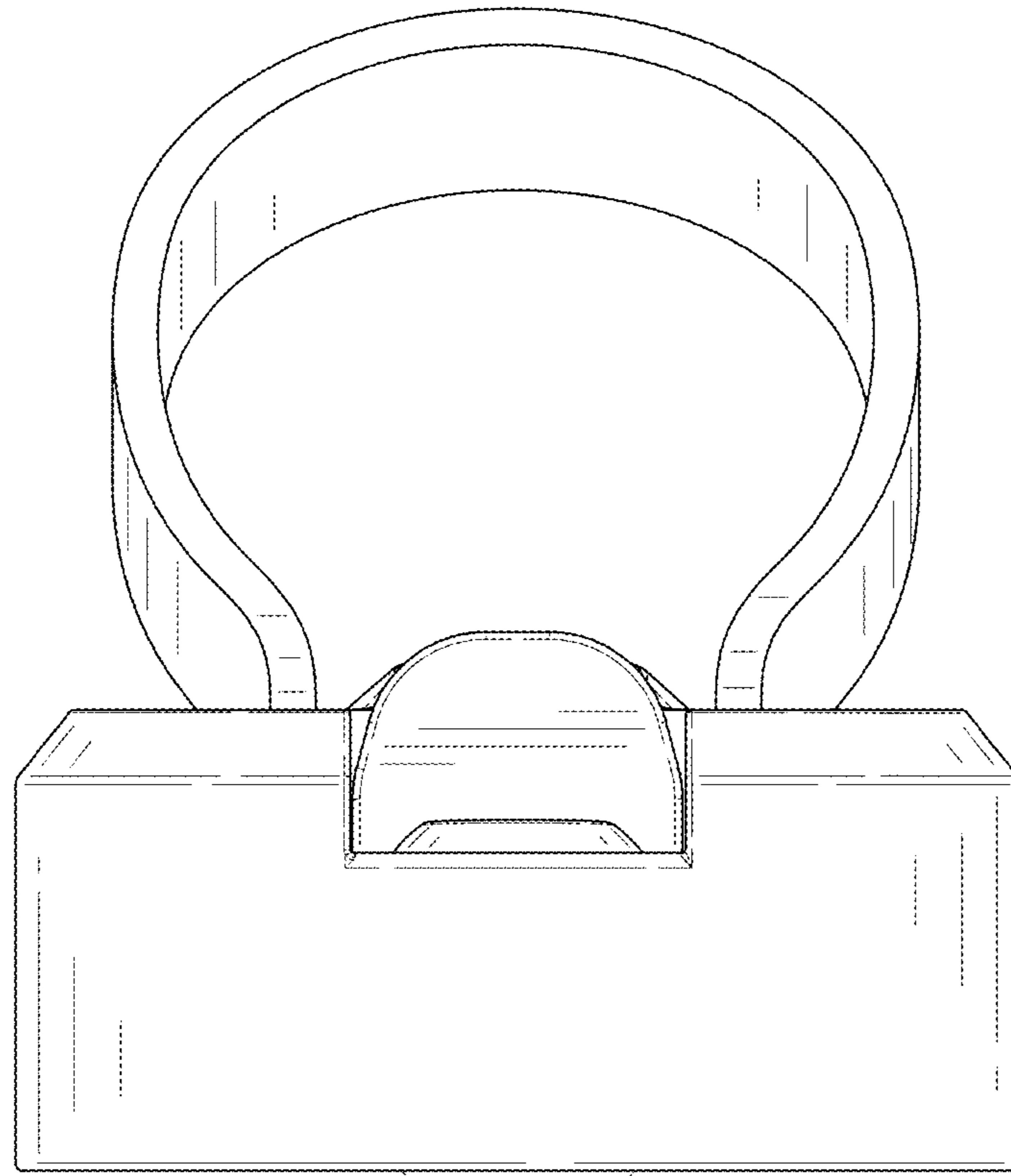


FIG. 3

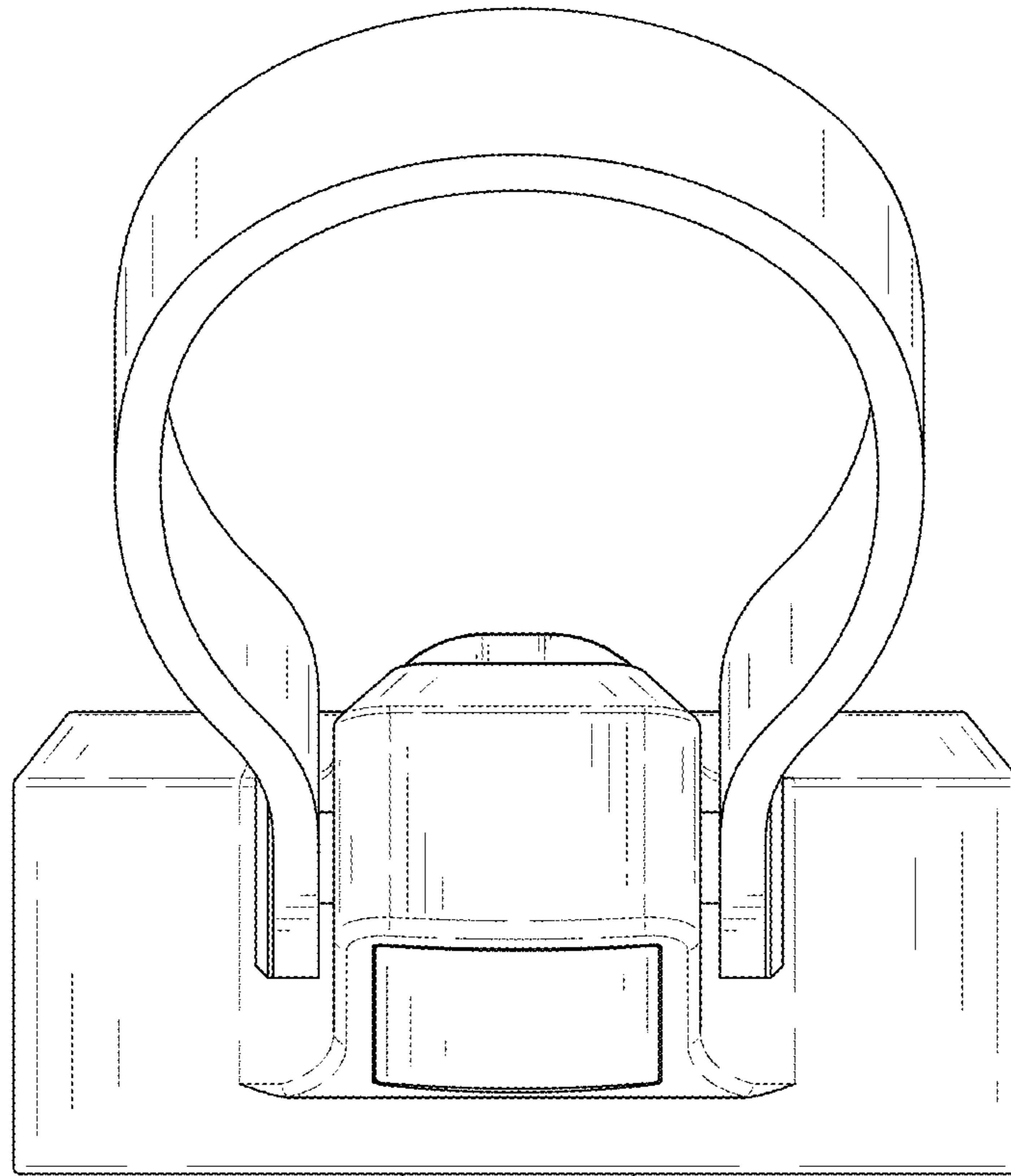


FIG. 4



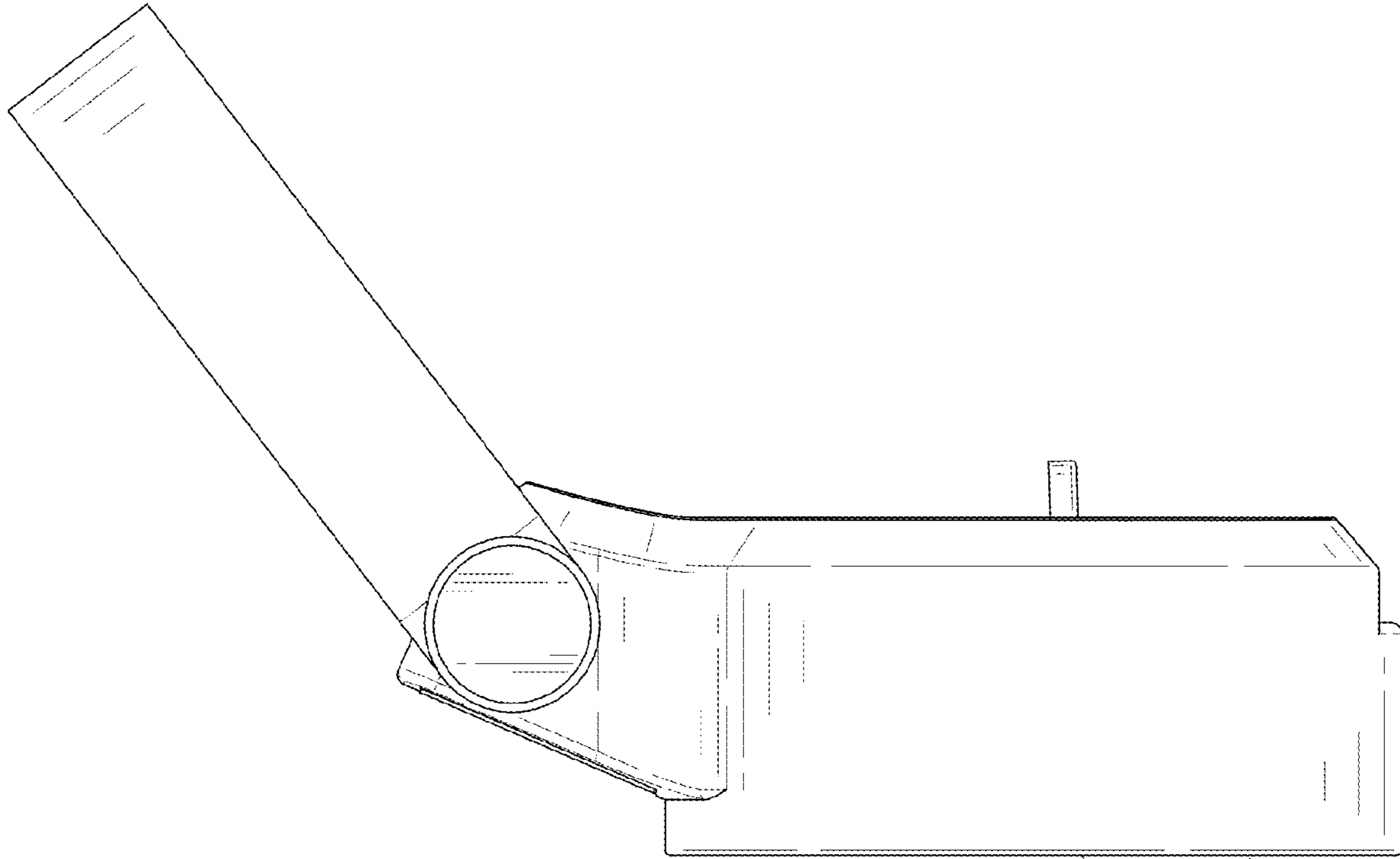


FIG. 5

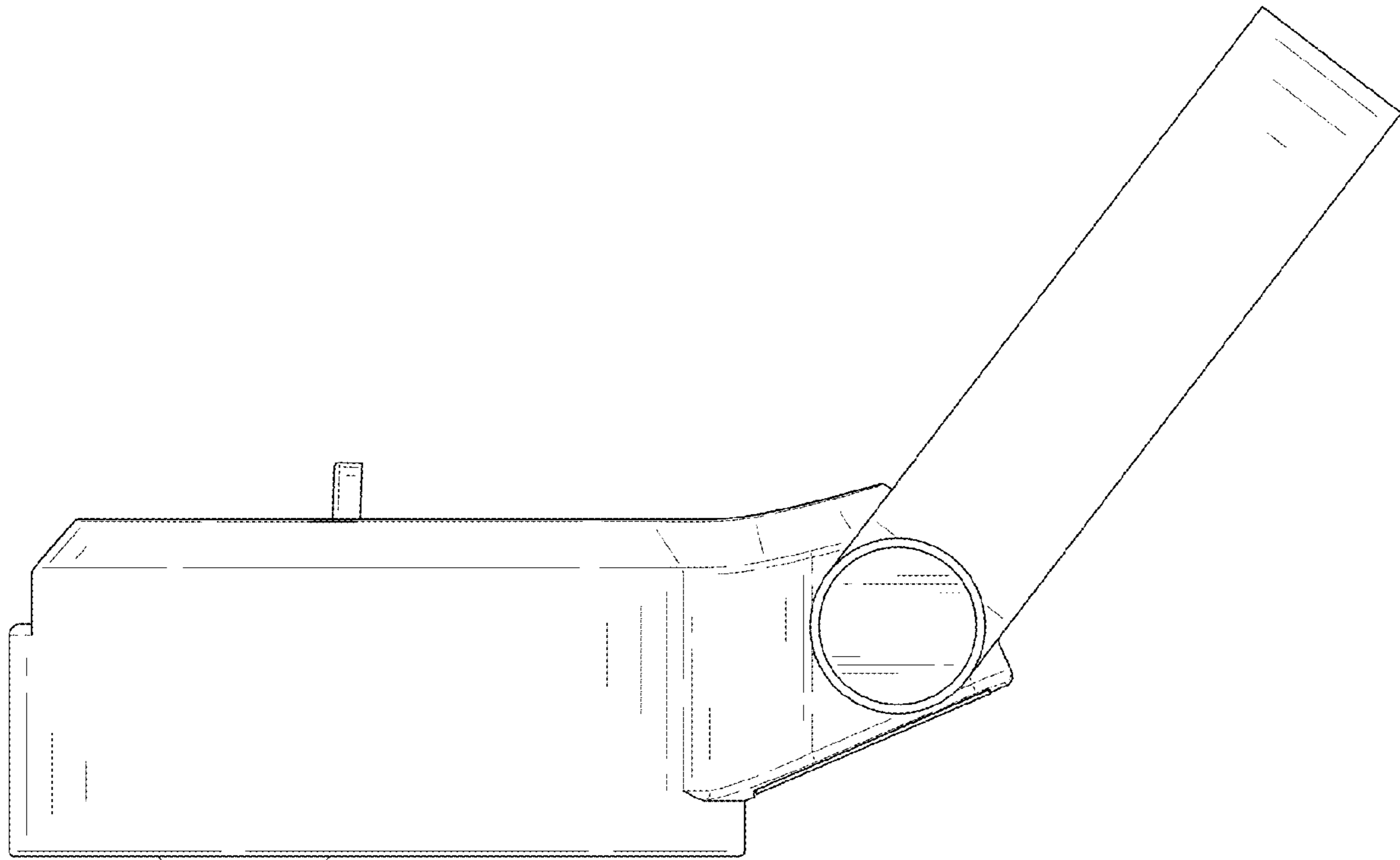


FIG. 6

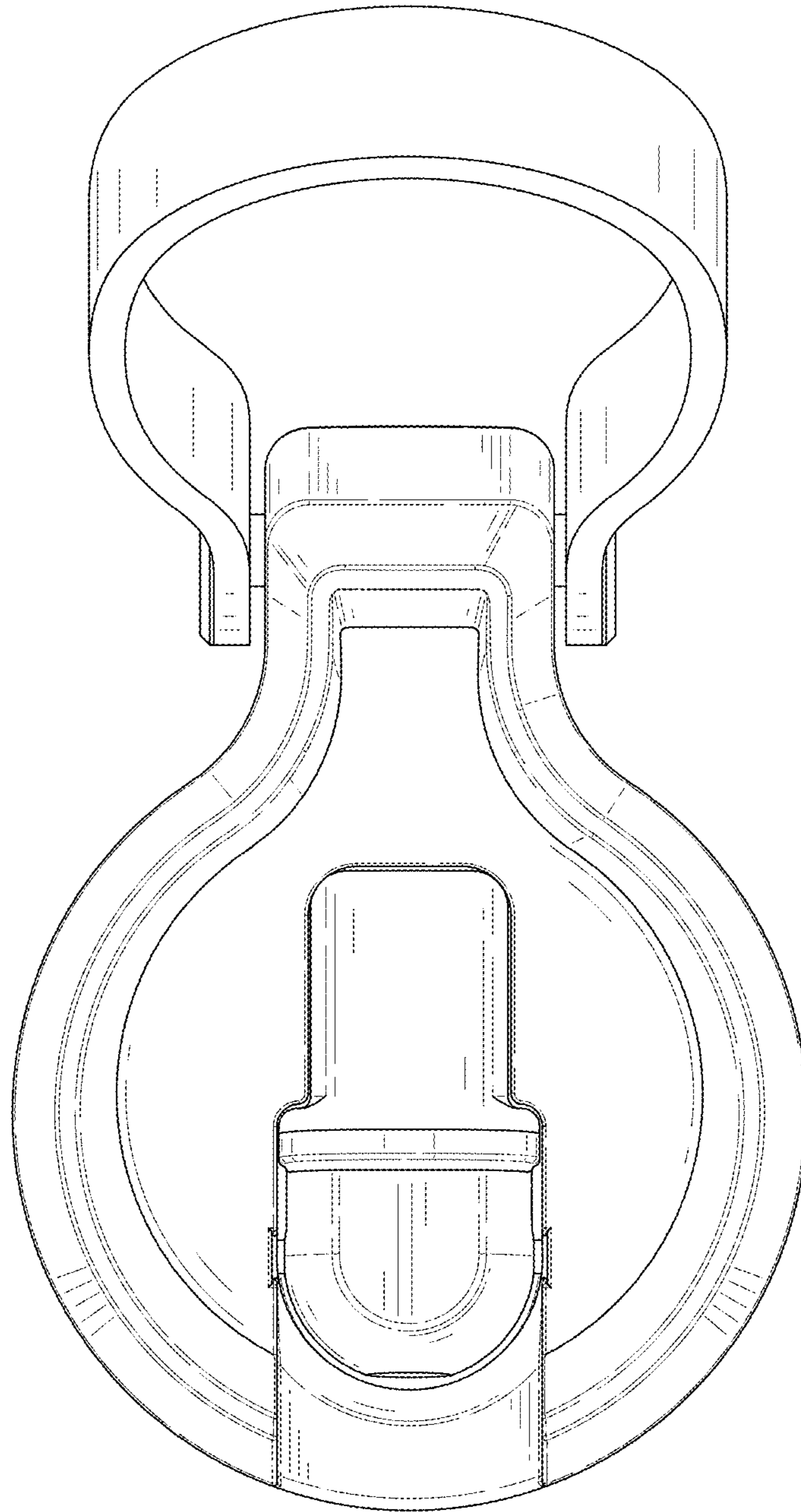


FIG. 7



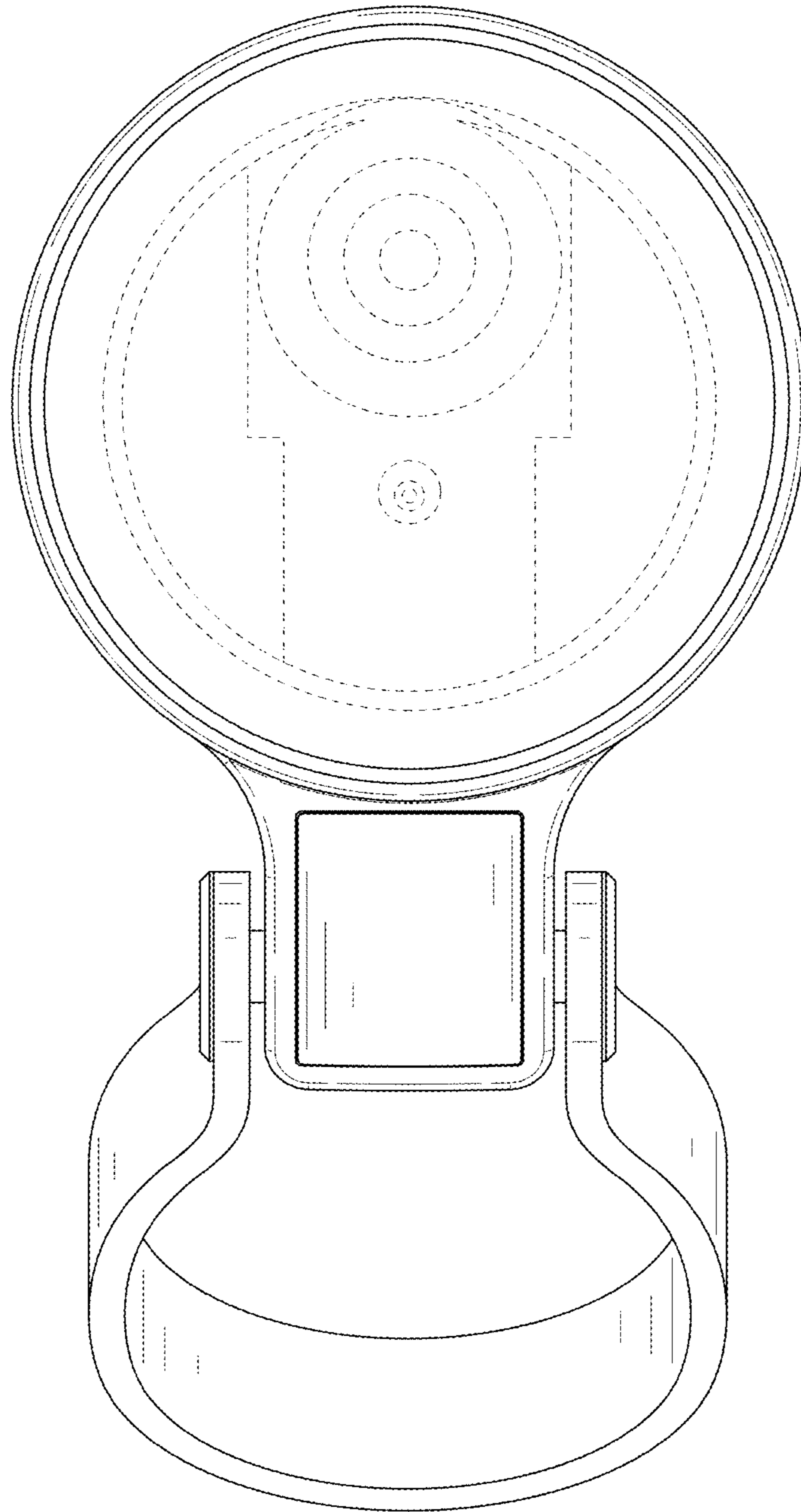


FIG. 8