



US00D947596S

(12) **United States Design Patent** (10) **Patent No.:** **US D947,596 S**
Lu (45) **Date of Patent:** **** Apr. 5, 2022**

(54) **SNAP DOWN LID FOR AIRTIGHT CANISTER**

(71) Applicant: **NINGBO KAIXUN IMPORT AND EXPORT CO., LTD.**, Ningbo (CN)

(72) Inventor: **Jiehua Lu**, Ningbo (CN)

(73) Assignee: **NINGBO KAIXUN IMPORT AND EXPORT CO., LTD.**, Ningbo (CN)

(**) Term: **15 Years**

(21) Appl. No.: **29/784,741**

(22) Filed: **May 21, 2021**

(51) **LOC (13) Cl.** **07-02**

(52) **U.S. Cl.**
USPC **D7/391**

(58) **Field of Classification Search**
USPC D3/302, 323; D7/391, 392, 392.1, 393, D7/397, 601-602, 629-630, 538-542; D9/414, 424-432, 435, 451-452
CPC A47J 36/027; A47J 36/06; A47J 37/10; A47J 37/101; B65D 21/0209; B65D 43/00; B65D 43/02; B65D 43/0206; B65D 43/022; B65D 43/161; B65D 43/162; B65D 45/00; B65D 45/16; B65D 45/18; B65D 51/16; B65D 51/1683; B65D 51/1688;

(Continued)

(56) **References Cited**

U.S. PATENT DOCUMENTS

D452,374 S * 12/2001 Kim D3/302
D500,227 S * 12/2004 Seok D7/392.1

(Continued)

OTHER PUBLICATIONS

Rasab Store Containers and Lids. Date First Available on Amazon.com Oct. 1, 2019. <https://www.amazon.com/dp/B081PBY1CR/ref> (Year: 2019).*

Primary Examiner — Ricky Pham

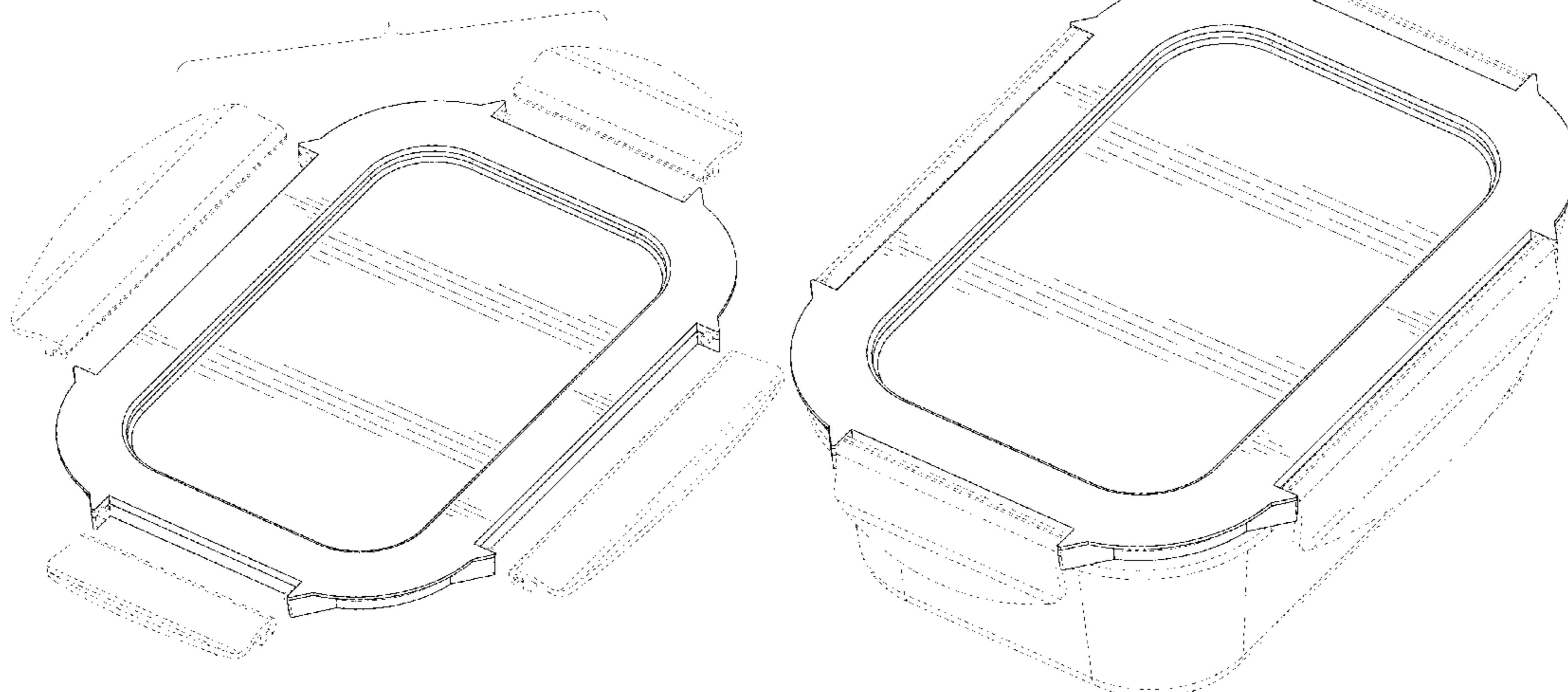
(57) **CLAIM**

The ornamental design the a snap down lid for airtight canister, as shown and described.

DESCRIPTION

FIG. 1 is a perspective view of a snap down lid for airtight canister showing my new design;
FIG. 2 is another perspective view thereof;
FIG. 3 is a front elevational view thereof;
FIG. 4 is a rear elevational view thereof;
FIG. 5 is a left side elevational view thereof;
FIG. 6 is a right side elevational view thereof;
FIG. 7 is a top plan view thereof;
FIG. 8 is a bottom plan view thereof;
FIG. 9 is a perspective view of the snap down lid for airtight canister shown in an opened state;
FIG. 10 is an exploded perspective view of the snap down lid for airtight canister;
FIG. 11 is a perspective view of the snap down lid for airtight canister where the snap down lid for airtight canister is in a first configuration of use;
FIG. 12 is a perspective view of the snap down lid for airtight canister where the snap down lid for airtight canister is in a second configuration of use;
FIG. 13 is a perspective view of the snap down lid for airtight canister where the snap down lid for airtight canister is in a third configuration of use;
FIG. 14 is a perspective view of the snap down lid for airtight canister where the snap down lid for airtight canister is in a fourth configuration of use; and,
FIG. 15 is a perspective view of the snap down lid for airtight canister where the snap down lid for airtight canister is in a fifth configuration of use.
The broken lines shown in FIGS. 1-10 depict portions of the snap down lid for airtight canister that form no part of the claimed design. The other broken lines in FIGS. 11-15 showing airtight canisters depict environment and form no part of the claimed design.

1 Claim, 15 Drawing Sheets



(58) **Field of Classification Search**

CPC B65D 51/1694; B65D 2251/00; B65F
1/1615

See application file for complete search history.

(56) **References Cited**

U.S. PATENT DOCUMENTS

D514,811	S	*	2/2006	Koo	D3/323
D562,083	S	*	2/2008	Lown	D7/629
D610,878	S	*	3/2010	Kim	D7/629
D610,879	S	*	3/2010	Kim	D7/629
D642,049	S		7/2011	Samartgis		
D642,861	S		8/2011	Samartgis		
D651,479	S	*	1/2012	Nie	D7/629
D660,092	S	*	5/2012	Kyung	D7/629
D660,095	S	*	5/2012	Kyung	D7/629
D675,057	S	*	1/2013	Harvey	D7/391
D677,116	S	*	3/2013	Smyers	D7/391
D722,832	S	*	2/2015	Ra	D7/602
2004/0084464	A1	*	5/2004	Koo	B65D 45/18 220/784

* cited by examiner

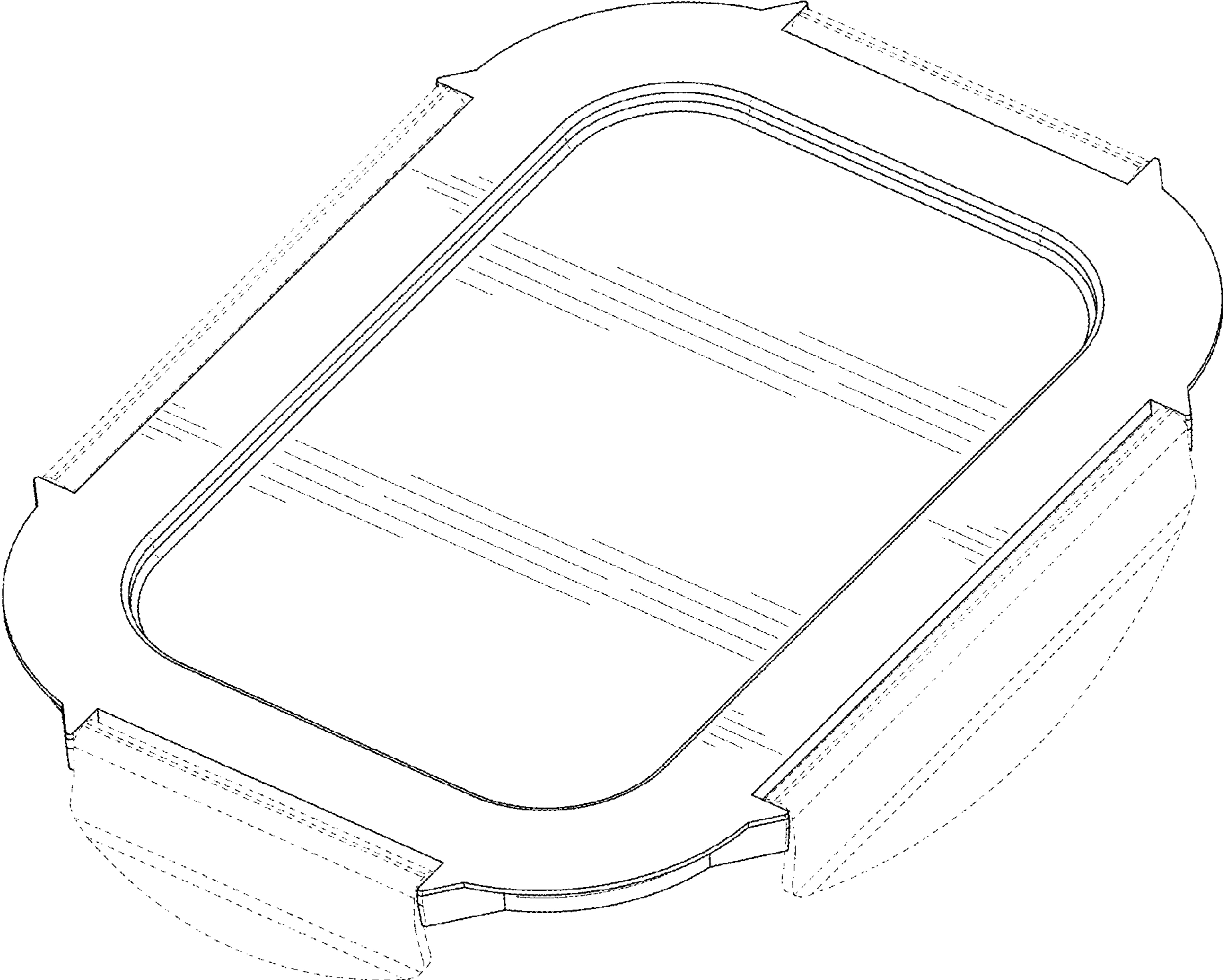


FIG. 1

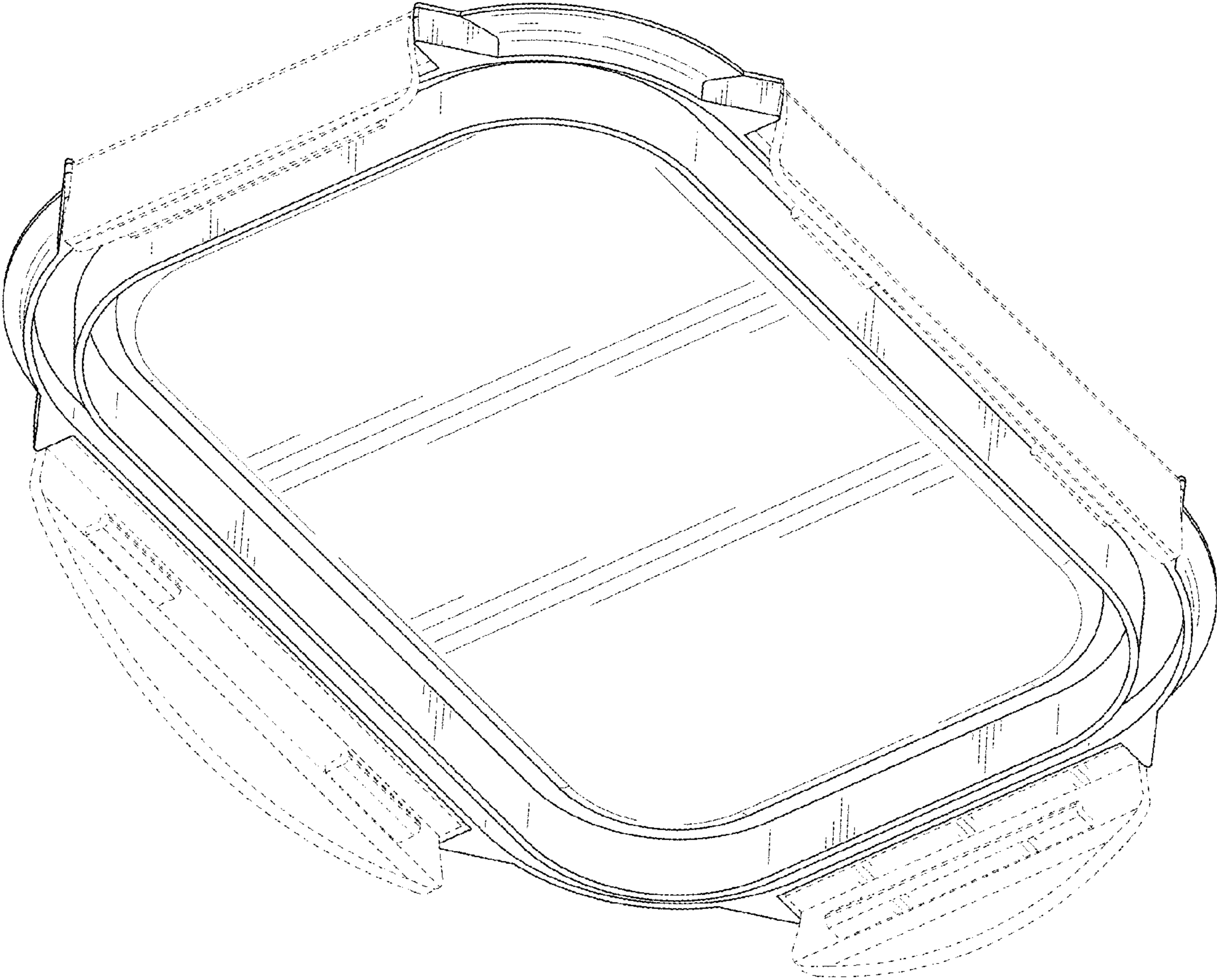


FIG. 2

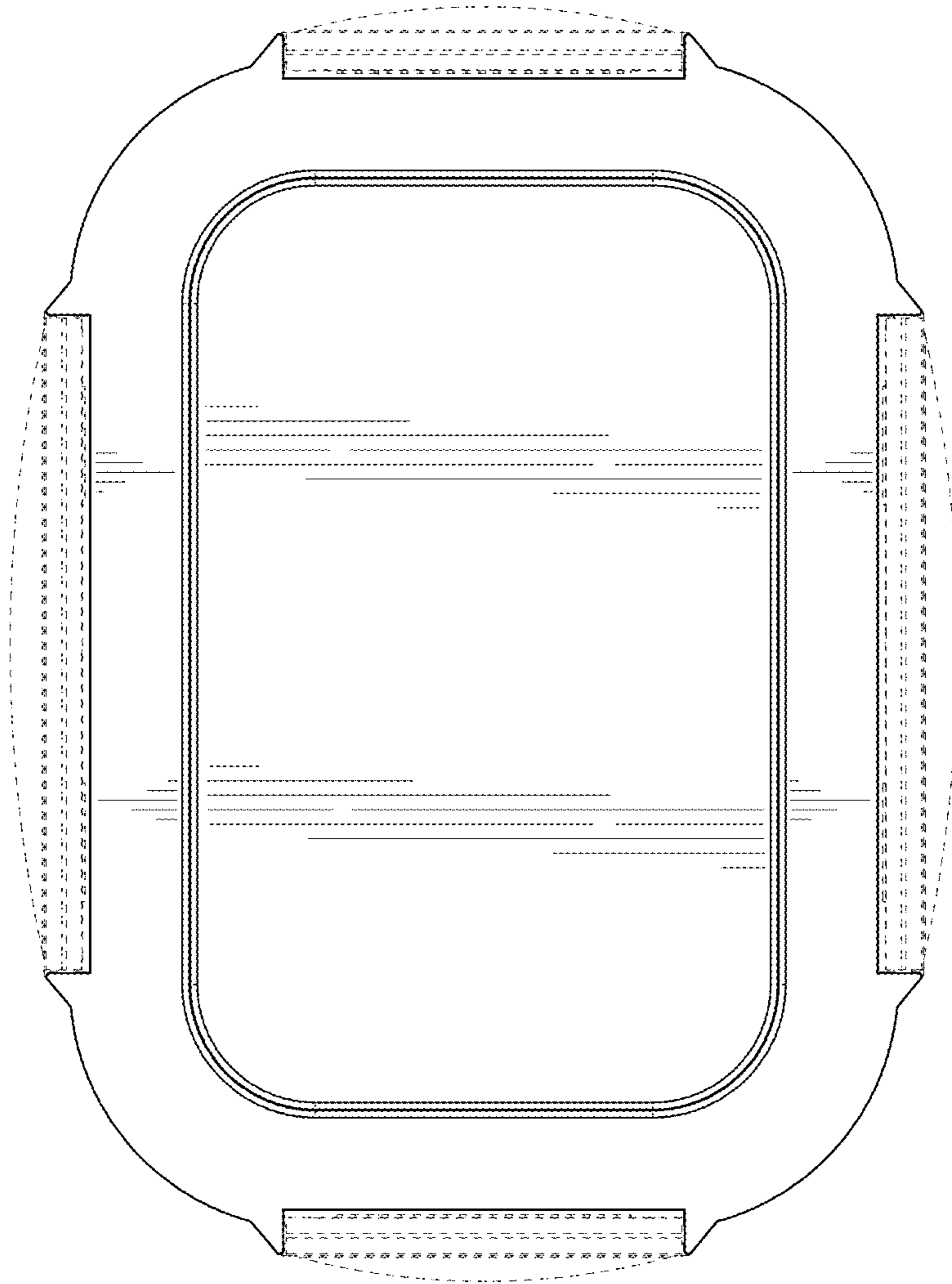


FIG. 3

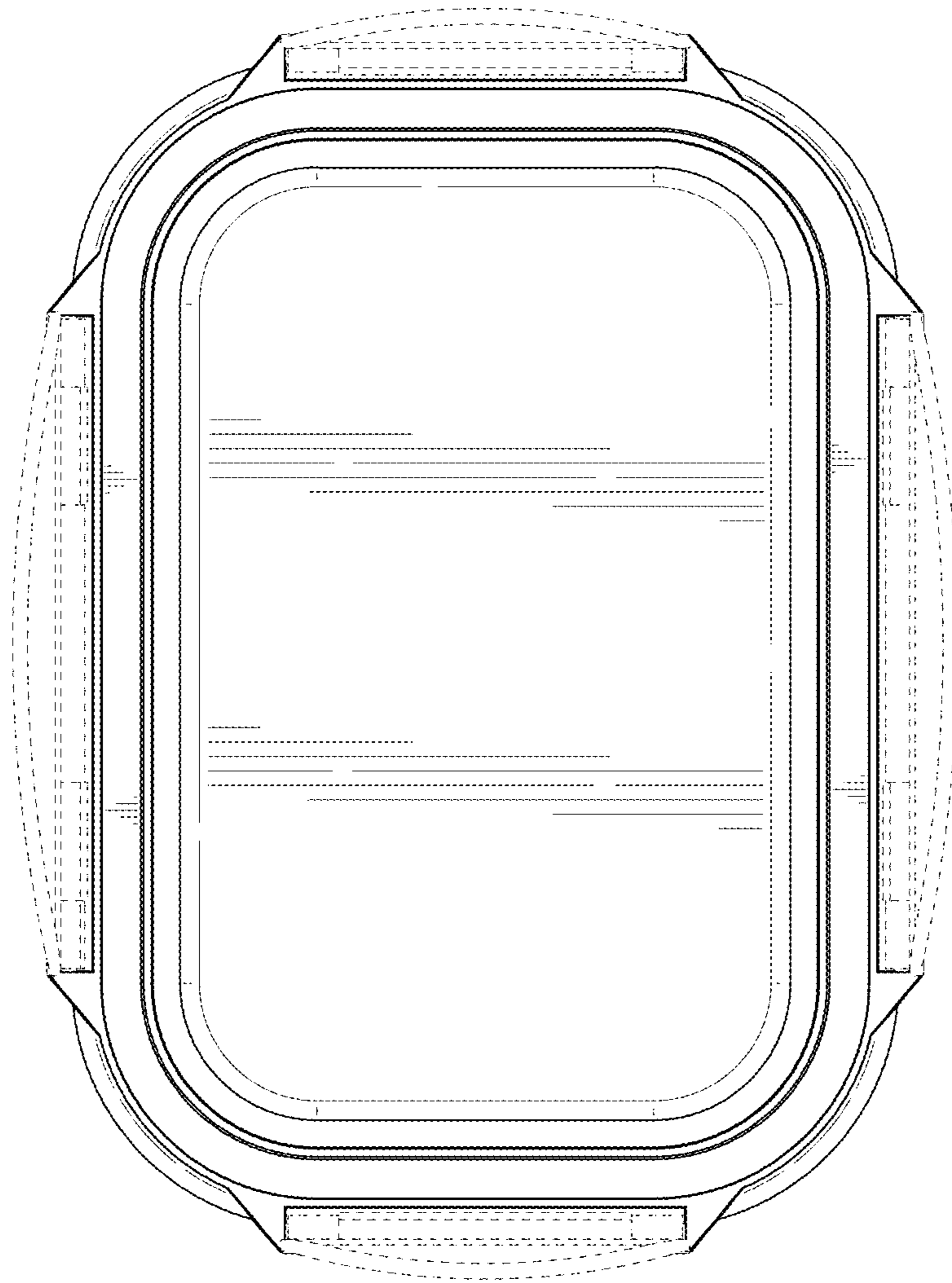


FIG. 4

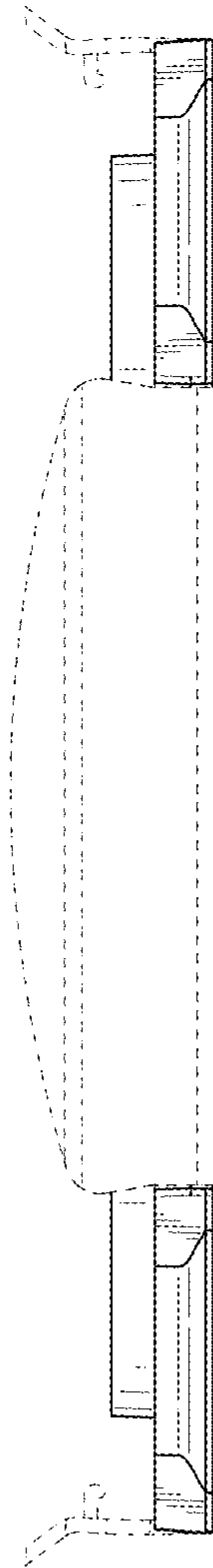


FIG. 5

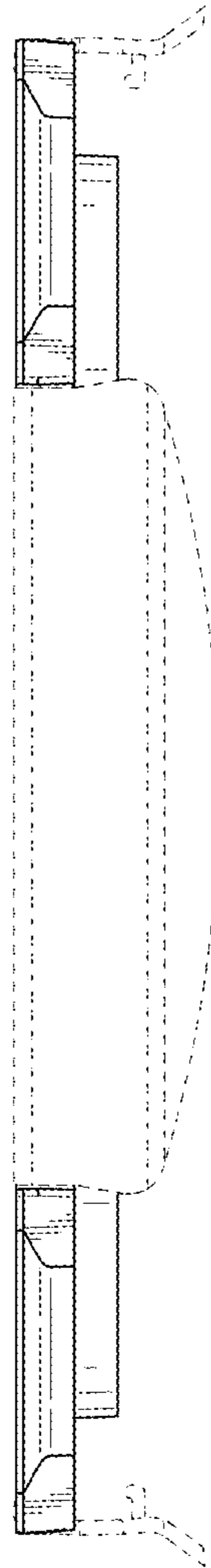


FIG. 6

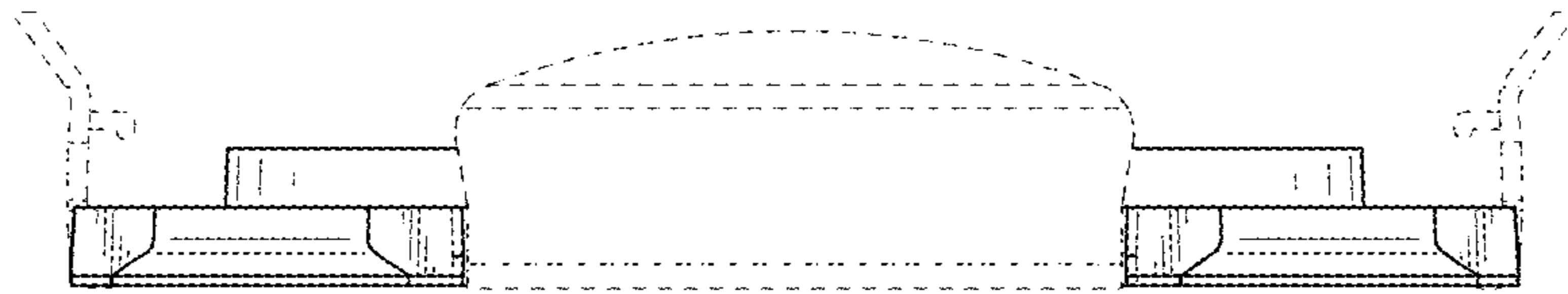


FIG. 7

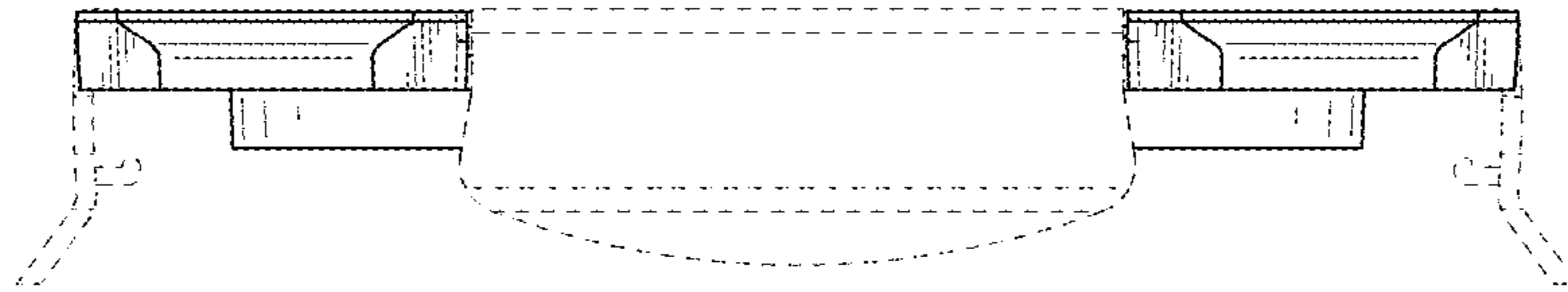


FIG. 8

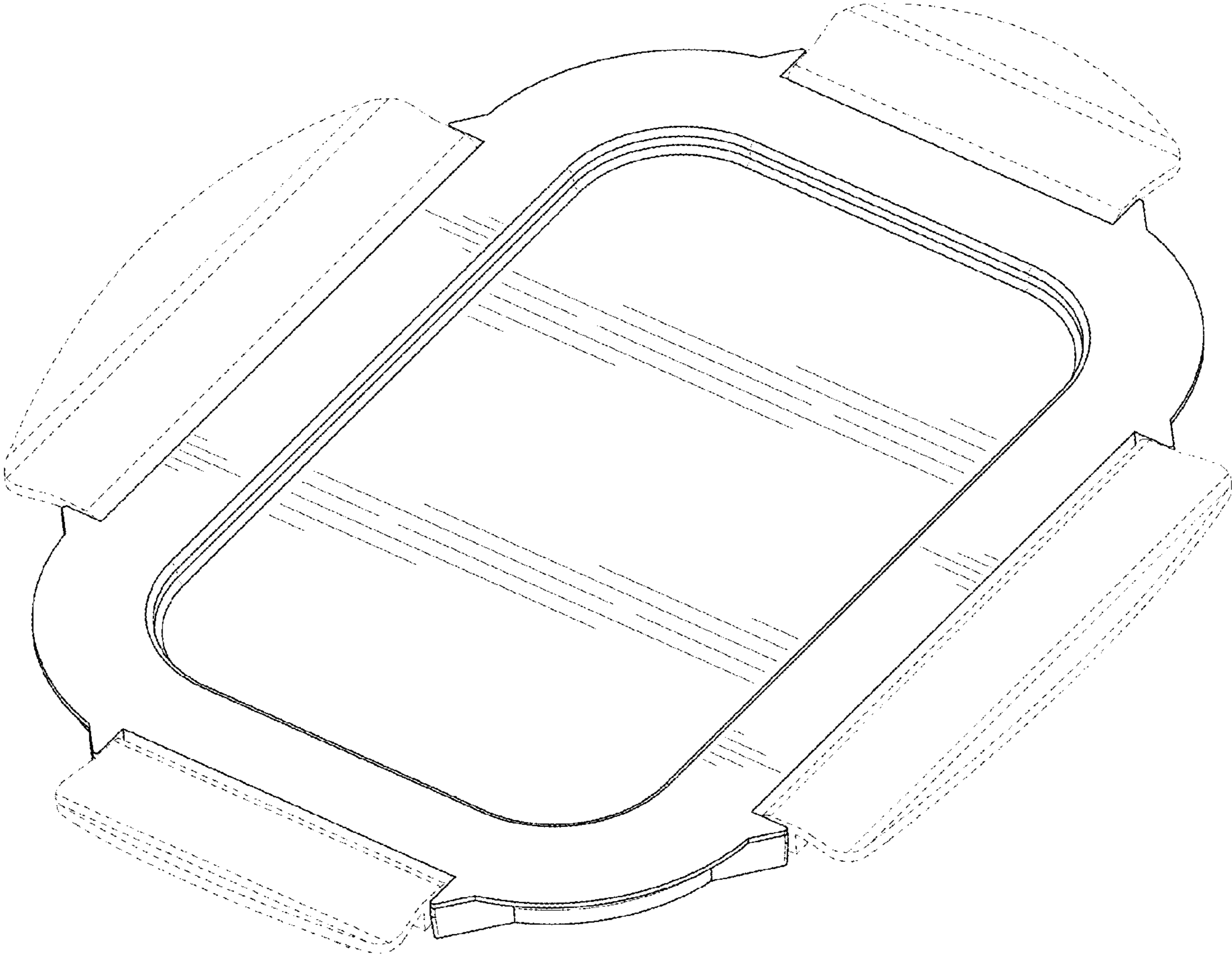


FIG. 9

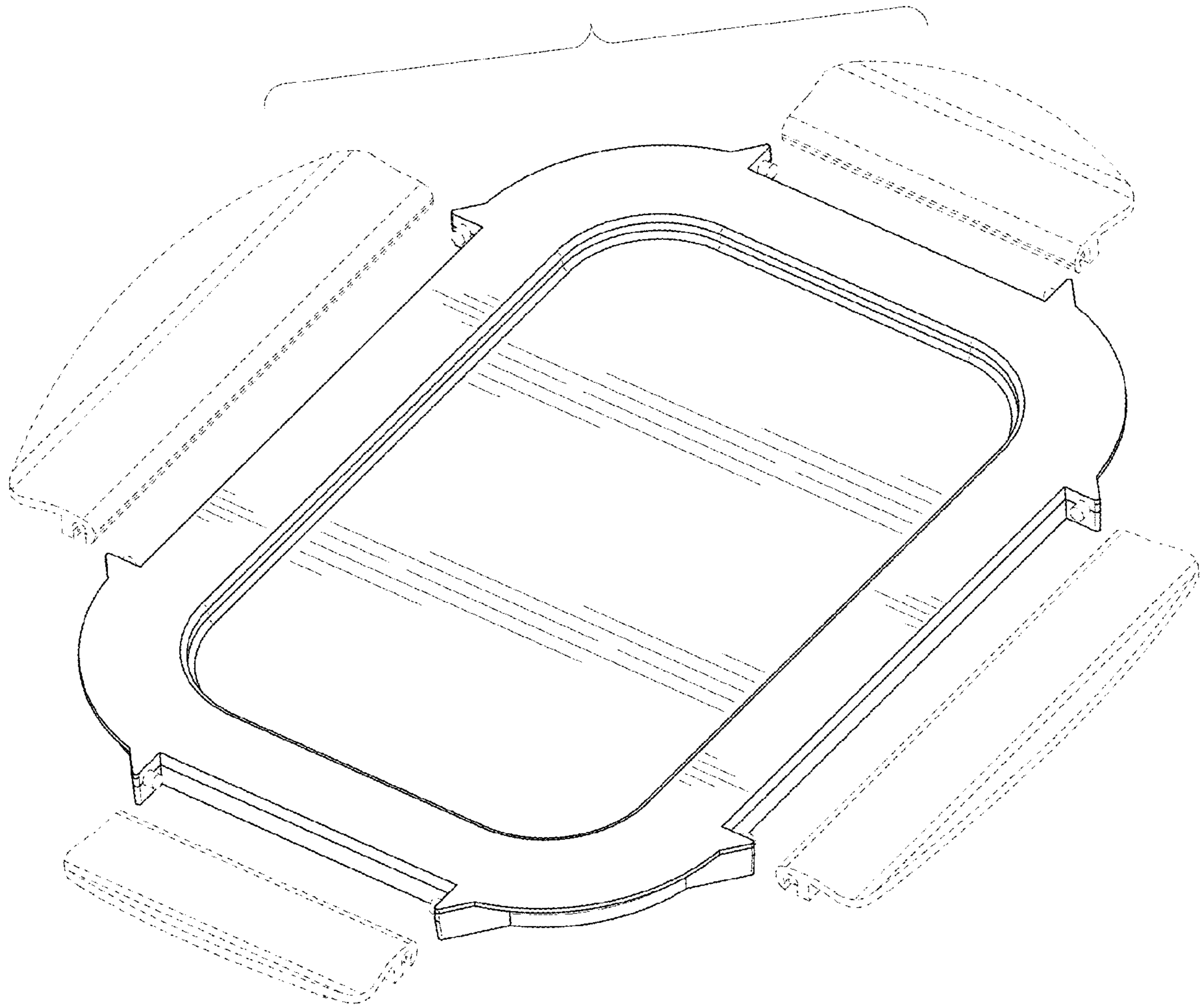


FIG. 10

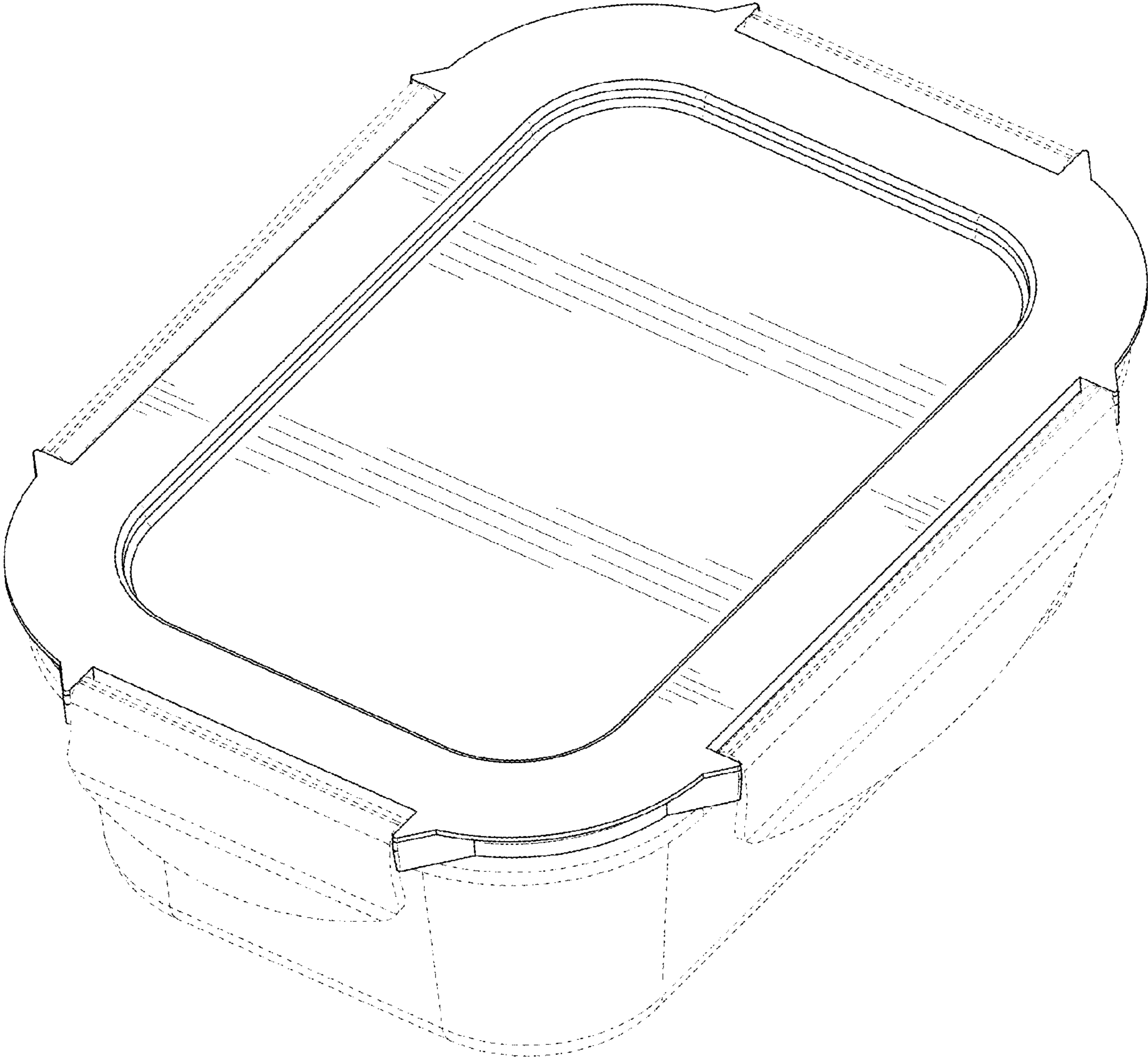


FIG. 11

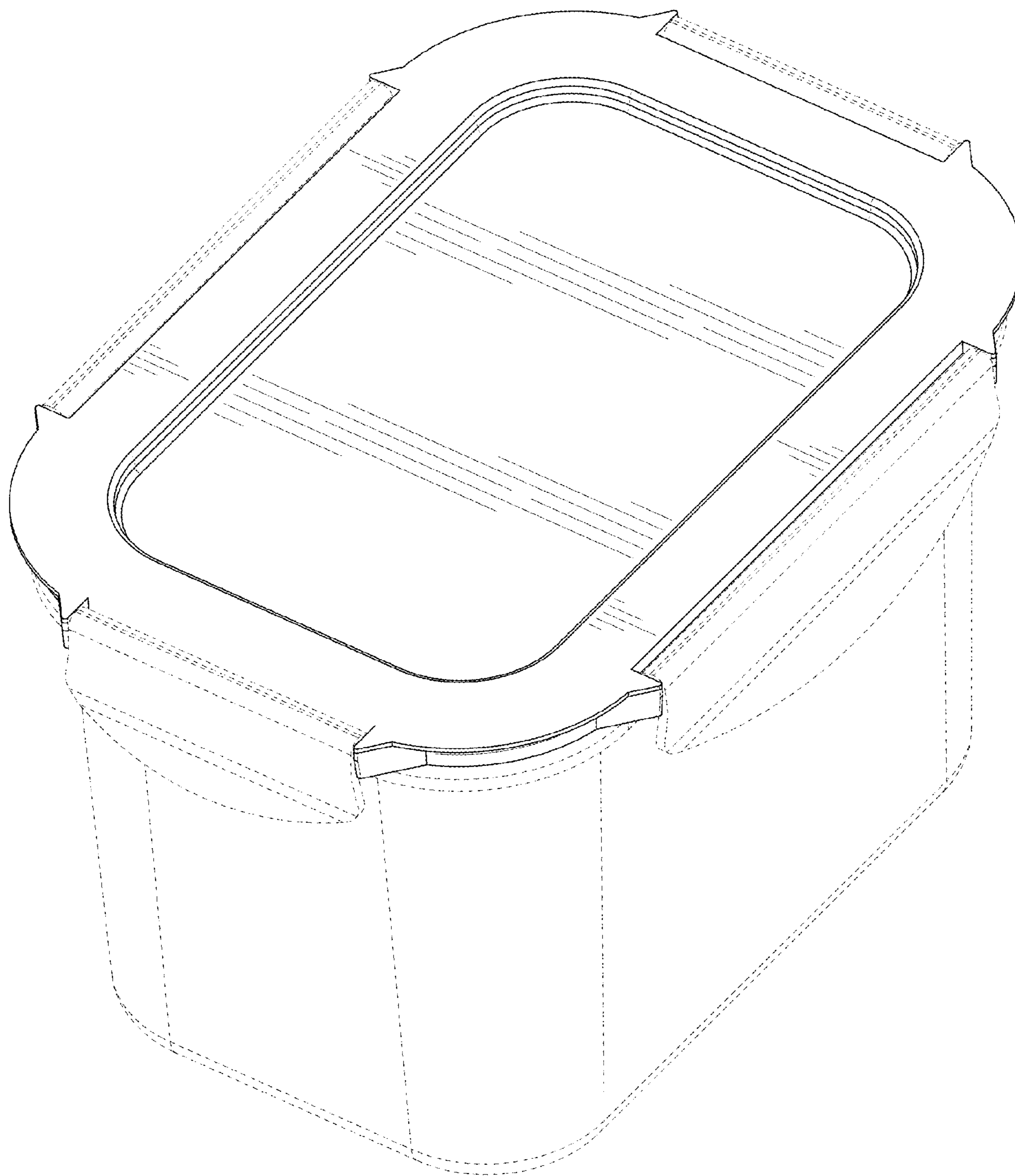


FIG. 12

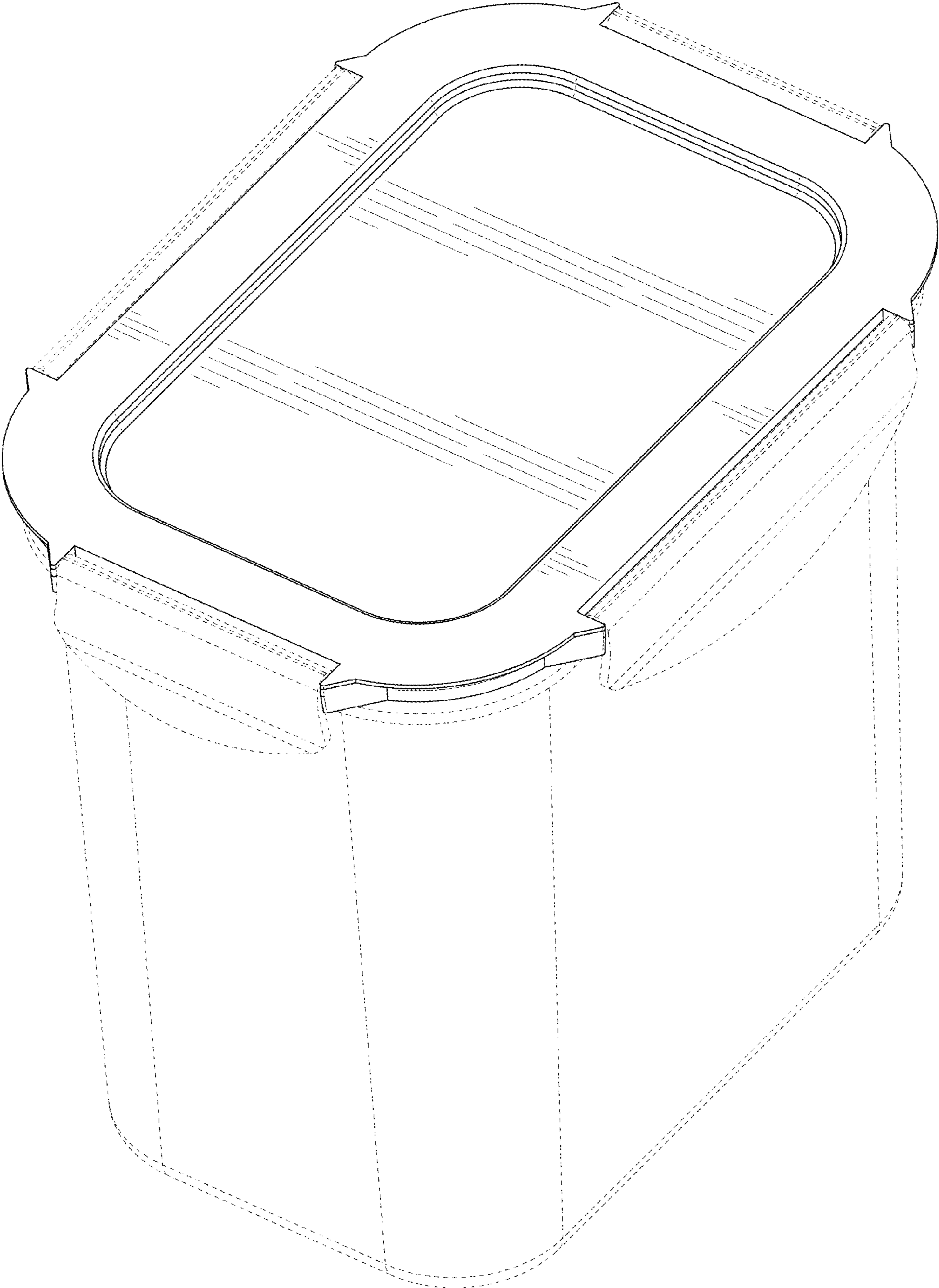


FIG. 13



FIG. 14

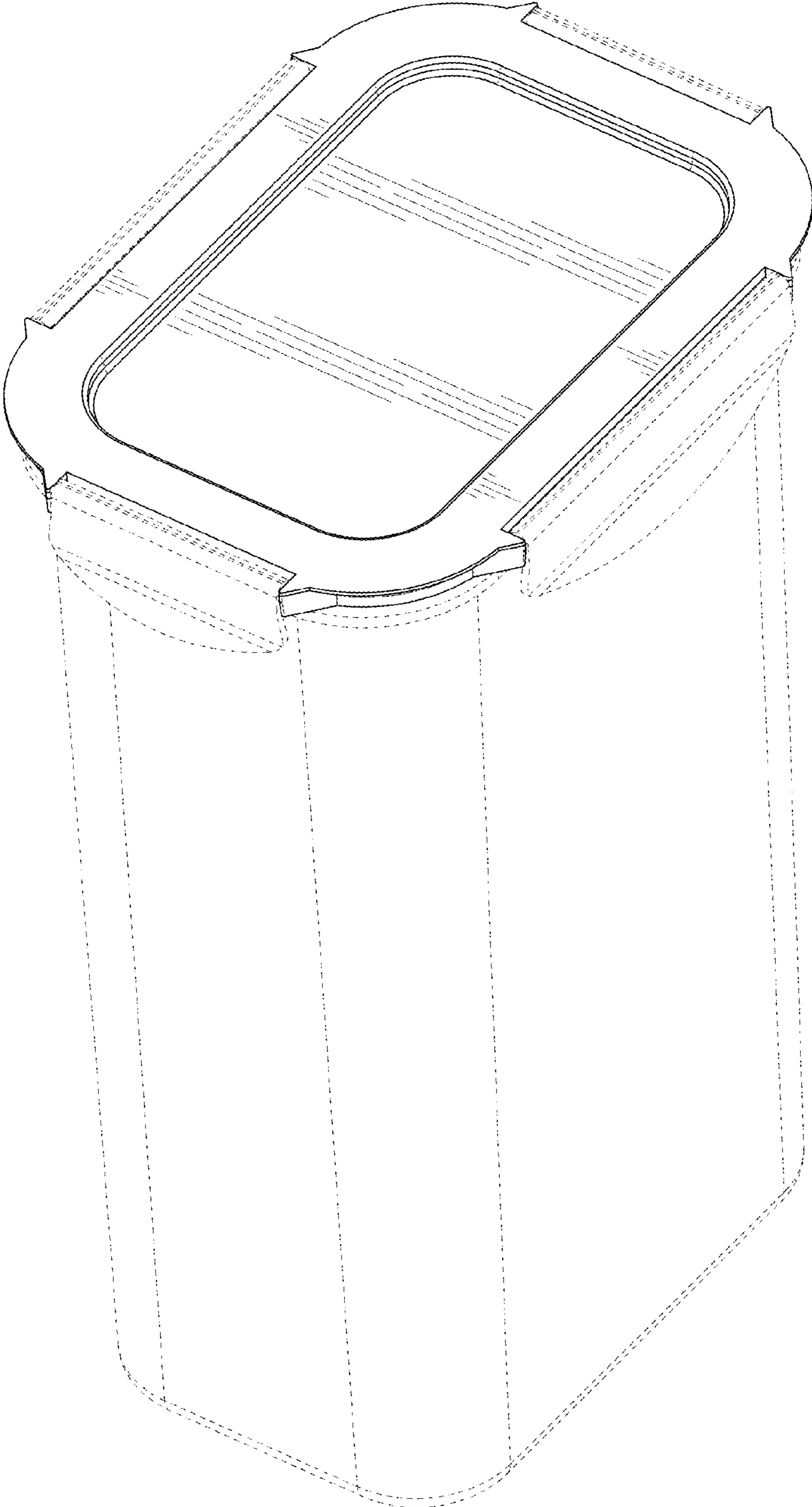


FIG. 15