



US00D947595S

(12) **United States Design Patent** (10) **Patent No.:** **US D947,595 S**
Roland (45) **Date of Patent:** **** Apr. 5, 2022**

(54) **BLENDER**
(71) Applicant: **Spectrum Brands, Inc.**, Middleton, WI (US)
(72) Inventor: **Gregory Roland**, Middleton, WI (US)
(73) Assignee: **Spectrum Brands, Inc.**, Middleton, WI (US)

D577,537 S * 9/2008 Lee D7/378
D617,136 S * 6/2010 Bock D7/378
D677,976 S * 3/2013 Palermo D7/386
D694,573 S * 12/2013 Norland D7/386
D694,574 S * 12/2013 Norland D7/386
D694,582 S * 12/2013 Norland D7/413
D745,317 S * 12/2015 Dichraff D7/378
D778,665 S * 2/2017 Barquin D7/386
D784,069 S * 4/2017 Blaise D7/378
D799,891 S * 10/2017 Lecoutre D7/378
D920,735 S * 6/2021 Carlson D7/386

(**) Term: **15 Years**

(21) Appl. No.: **29/753,432**

(22) Filed: **Sep. 30, 2020**

(51) **LOC (13) Cl.** **31-00**

(52) **U.S. Cl.**
USPC **D7/378; D7/376; D7/384; D7/386;**
D7/413

(58) **Field of Classification Search**
USPC D7/372-374, 376-386, 412-413, 602,
D7/629, 665-666, 669, 679, 693-694
CPC A21C 1/02; A21C 1/04; A23N 1/00; A23N
1/02; A47J 43/04; A47J 43/25; A47J
43/27; A47J 43/042; A47J 43/044; A47J
43/046; A47J 43/075; A47J 43/0716;
A47J 43/0722; A47J 43/0727; B01F 3/00;
B01F 3/0807; B01F 3/0853; B01F
13/047; B01F 13/0059; B01F 13/0064;
B02C 1/08; B02C 2/04; B02C 4/42;
B02C 4/142; B02C 4/143; B02C 4/423;
B02C 13/1835; B28C 5/10; B28C 5/12;
B28C 5/14; B28C 5/16; F25C 5/046
See application file for complete search history.

(56) **References Cited**

U.S. PATENT DOCUMENTS

D412,809 S * 8/1999 Toro D7/378
D526,531 S * 8/2006 Drees D7/378

OTHER PUBLICATIONS

KitchenAid KSB1575MC 5-Speed Diamond Blender. Date First Available on Amazon.com May 28, 2013. <https://www.amazon.com/dp/B00CGSESF2/ref> (Year: 2013).*

* cited by examiner

Primary Examiner — Ricky Pham

(74) *Attorney, Agent, or Firm* — Banner & Witcoff, Ltd.

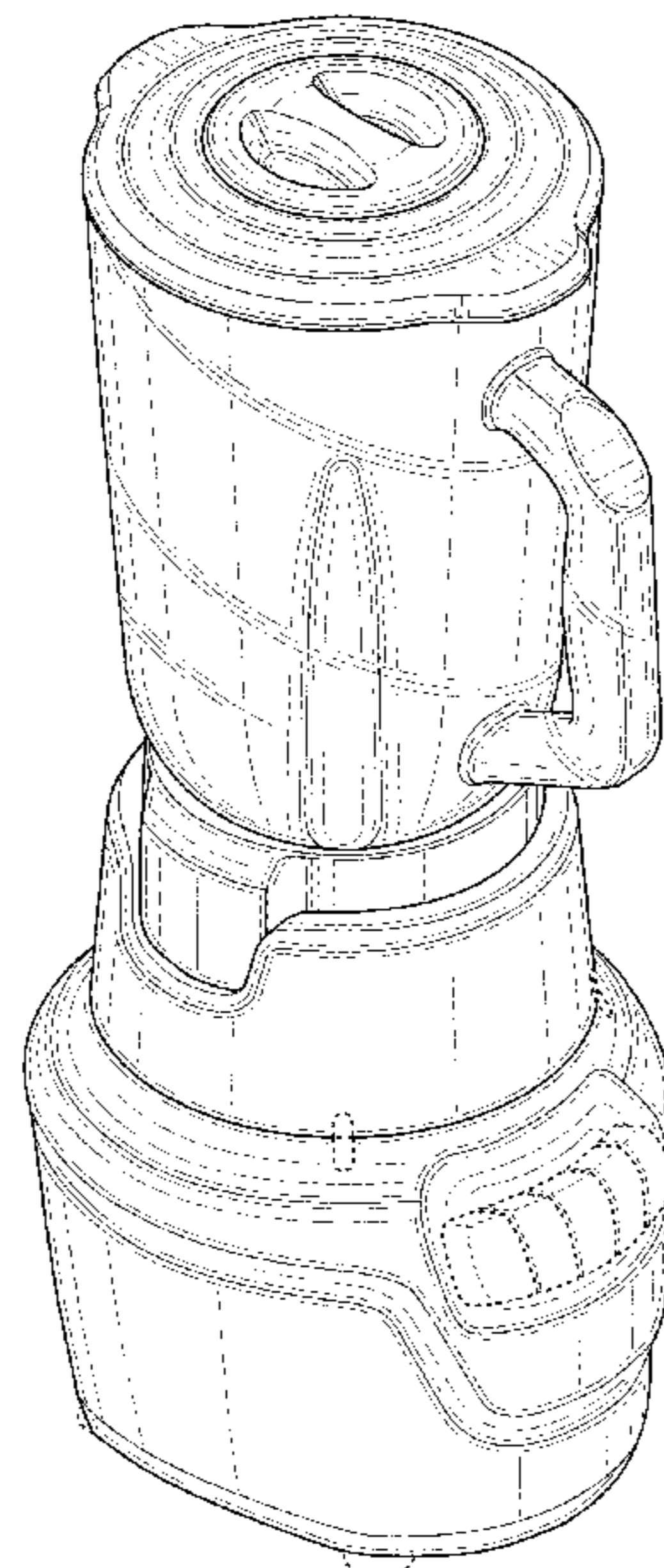
(57) **CLAIM**

The ornamental design for a blender, as shown and described.

DESCRIPTION

FIG. 1 is a front perspective view of a blender showing my new design;
FIG. 2 is a front view thereof;
FIG. 3 is a rear view thereof;
FIG. 4 is a right side view thereof;
FIG. 5 is a left side view thereof; and,
FIG. 6 is a top view thereof.
The broken lines show regions of the blender that form no part of the claimed design.

1 Claim, 6 Drawing Sheets



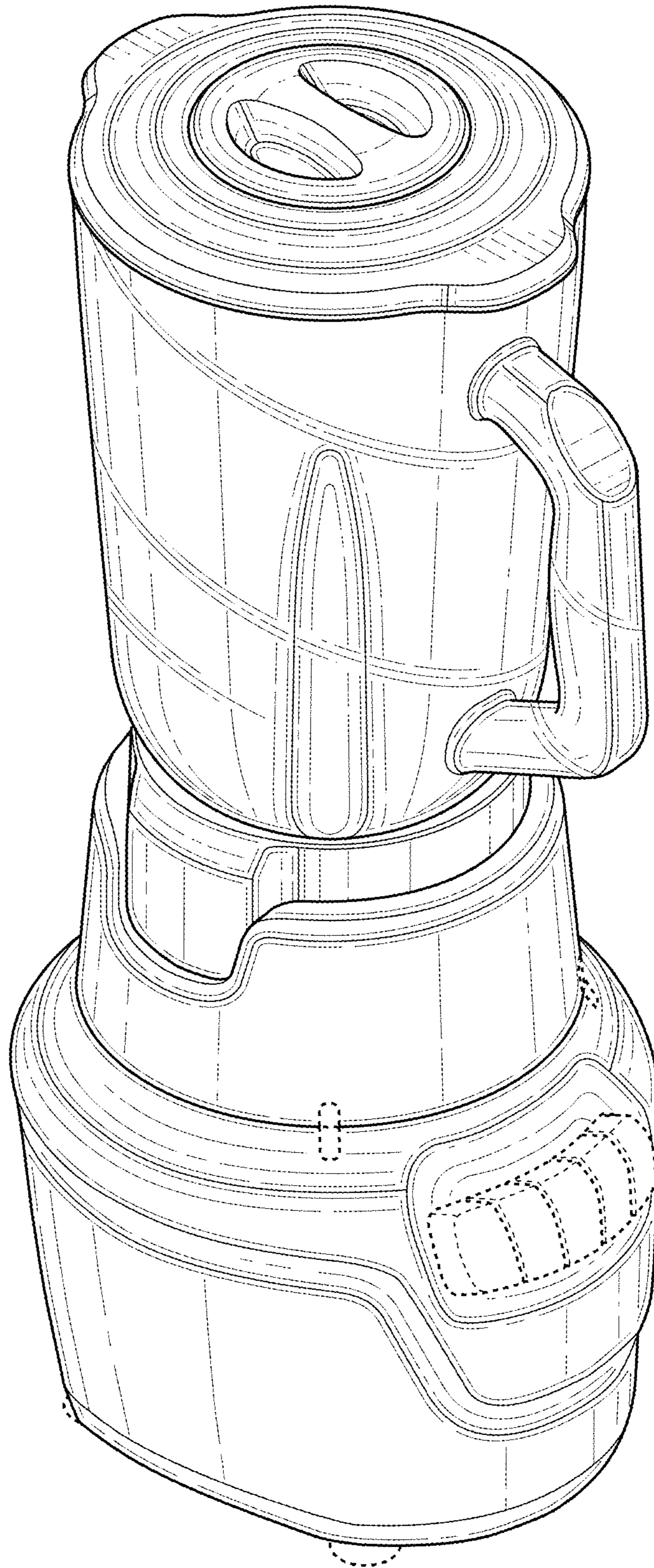


FIG. 1

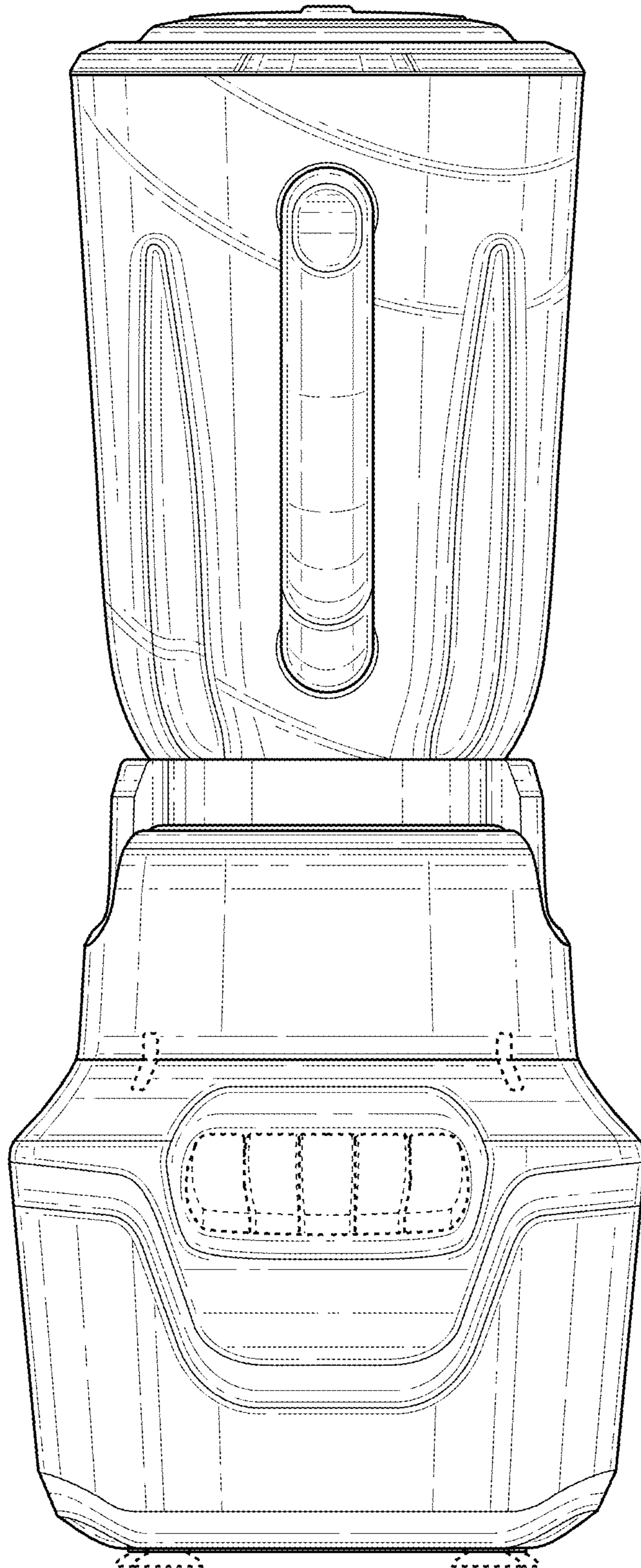


FIG. 2

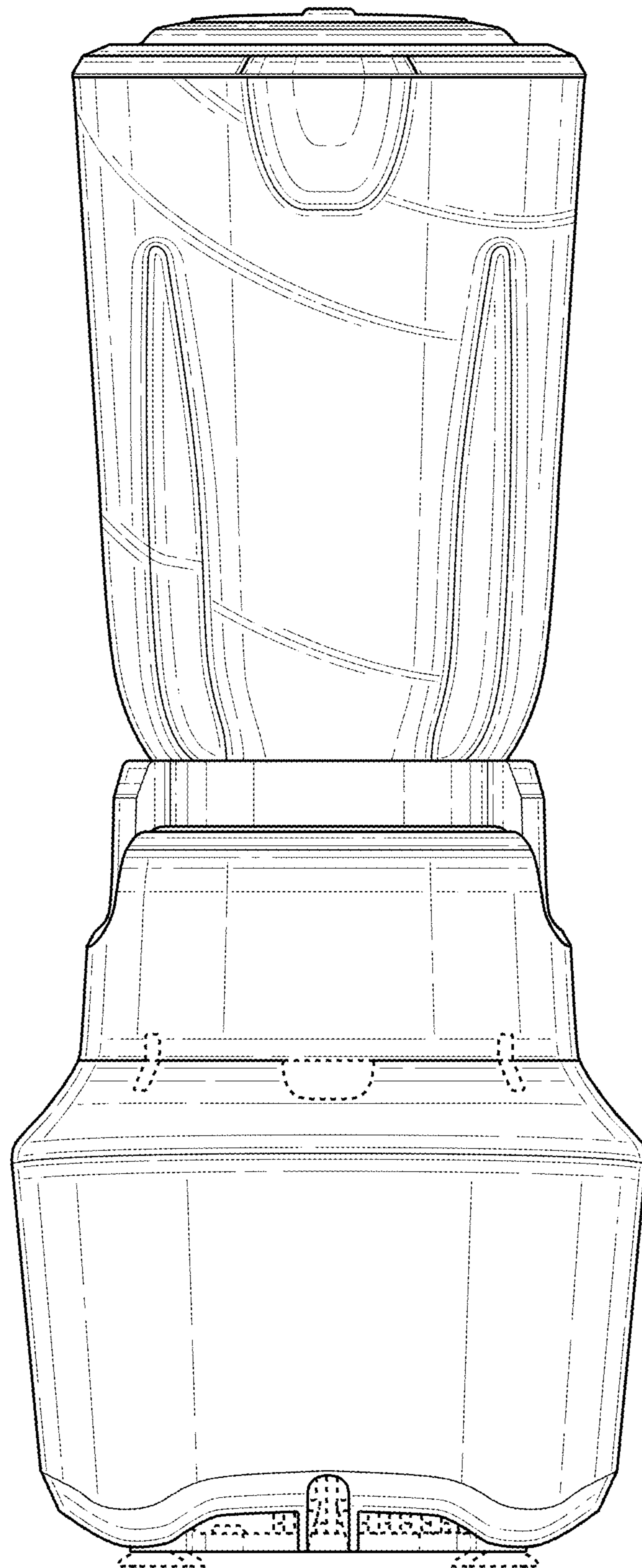


FIG. 3

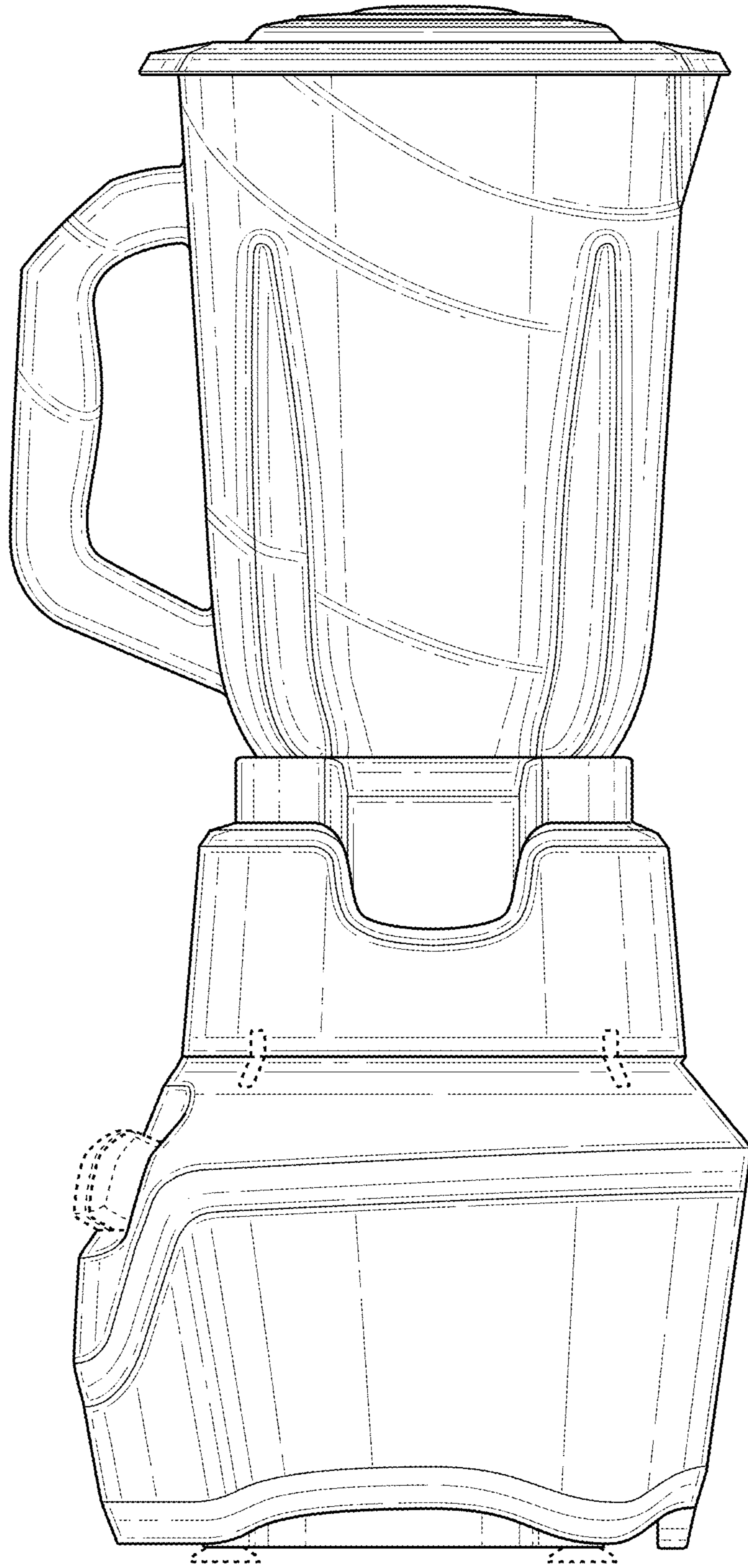


FIG. 4

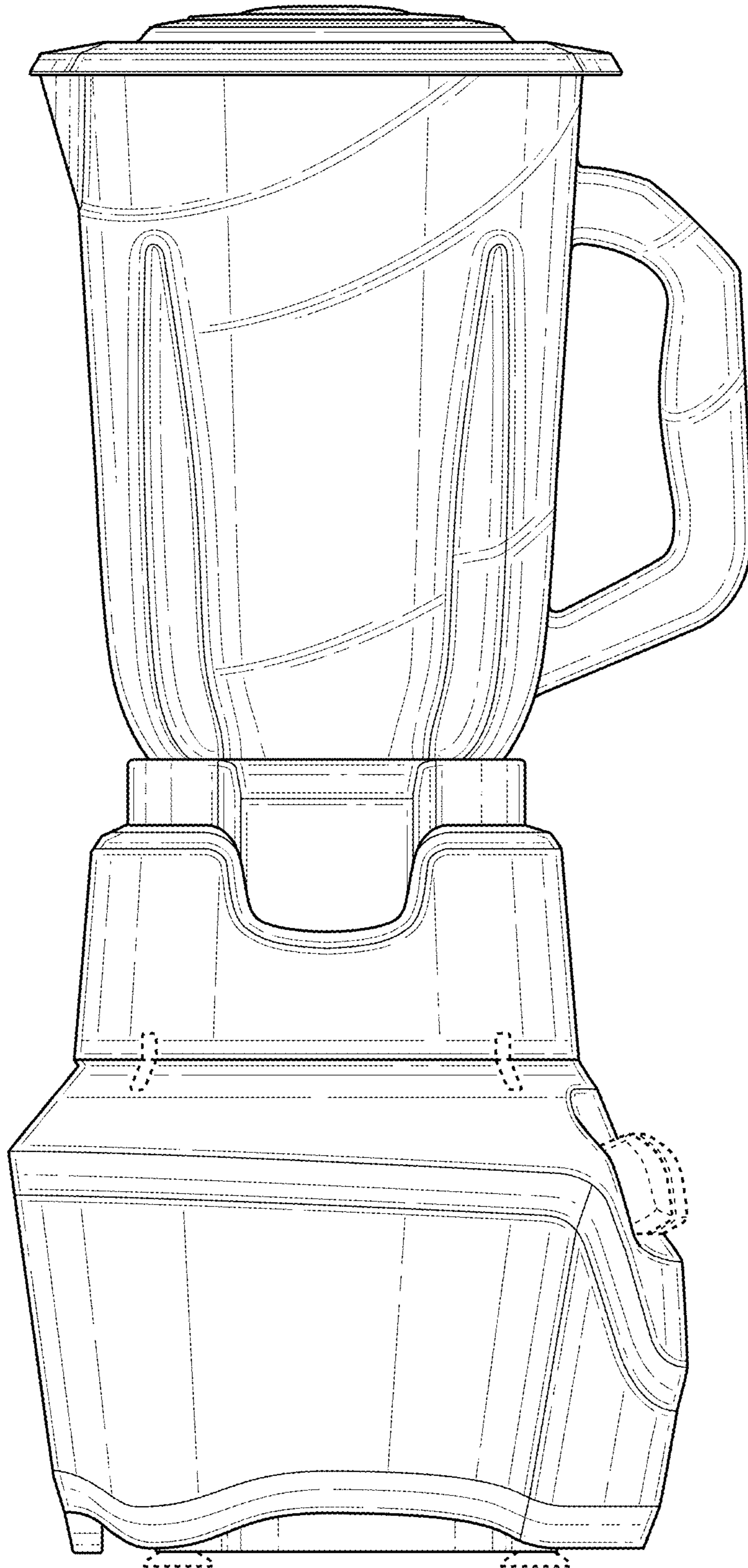


FIG. 5

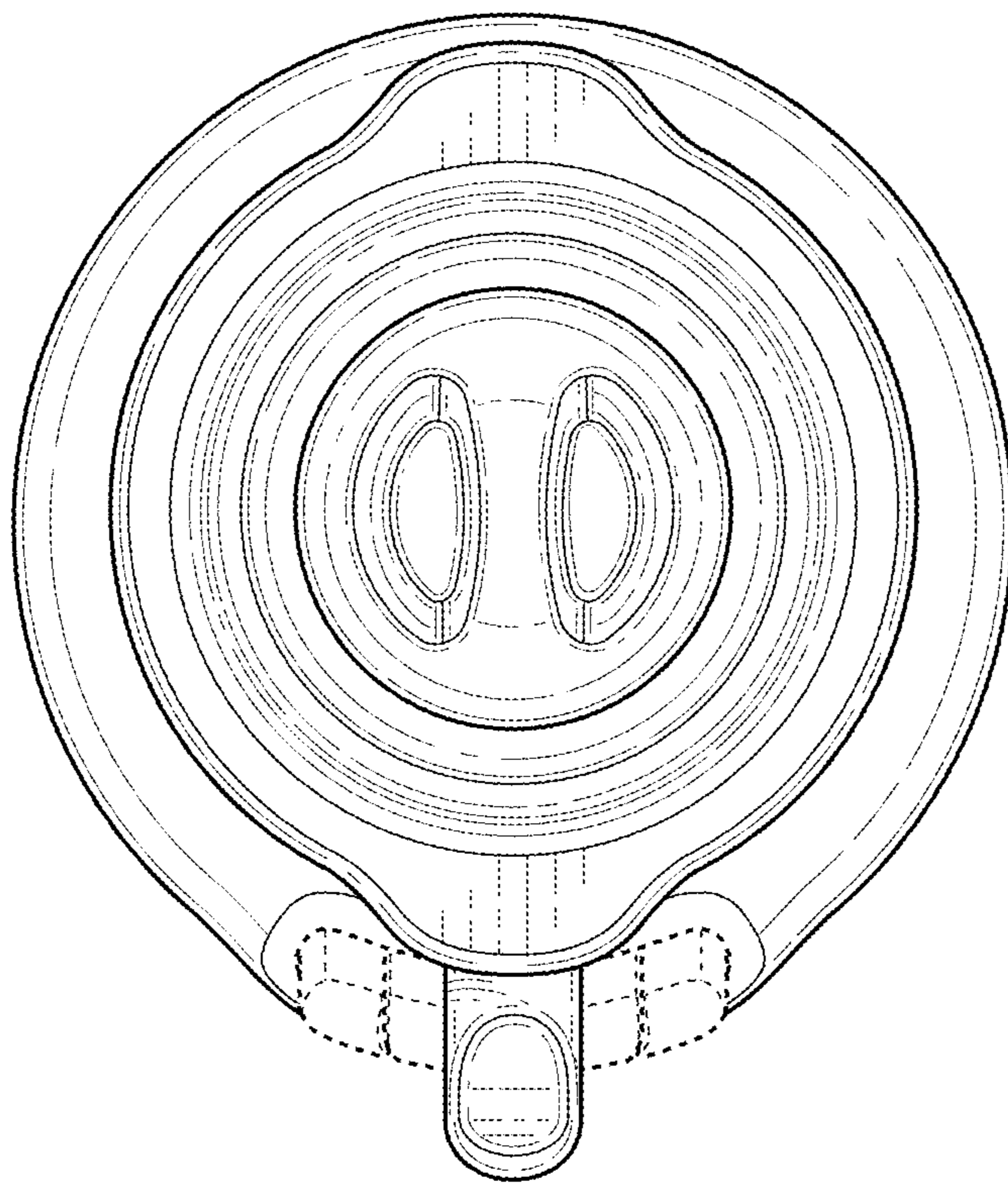


FIG. 6