



US00D947593S

(12) **United States Design Patent** (10) **Patent No.:** **US D947,593 S**  
**Ding** (45) **Date of Patent:** **\*\* Apr. 5, 2022**

(54) **COFFEE GRINDER**  
(71) Applicant: **Changjiang Ding**, Luohe (CN)  
(72) Inventor: **Changjiang Ding**, Luohe (CN)  
(\*\*) Term: **15 Years**  
(21) Appl. No.: **29/751,642**

2016/0135646 A1\* 5/2016 Cacciamani ..... A47J 42/04  
241/100  
2018/0279829 A1\* 10/2018 Kanazawa ..... A47J 42/04  
2021/0059473 A1\* 3/2021 Zernhelt ..... A47J 42/04

**FOREIGN PATENT DOCUMENTS**

CN 303747855 \* 7/2016  
CN 305074454 \* 3/2019  
GB 8102827000-1000 \* 8/2018

(22) Filed: **Sep. 22, 2020**  
(51) **LOC (13) Cl.** ..... **31-00**  
(52) **U.S. Cl.**  
USPC ..... **D7/373**  
(58) **Field of Classification Search**  
USPC ..... D7/372, 373, 374, 376, 377, 378, 381,  
D7/382, 383, 384, 385, 386, 412, 413,  
D7/414, 590, 669, 678, 679  
CPC .. A47J 42/00; A47J 42/02; A47J 42/04; A47J  
42/06; A47J 42/08; A47J 42/10; A47J  
42/12; A47J 42/14; A47J 42/22; A47J  
42/32; A47J 42/34; A47J 42/38; A47J  
42/52; A22C 5/00; A23F 5/00; A23F 5/08  
See application file for complete search history.

**OTHER PUBLICATIONS**

Hario Ceramic Coffee Mill, posted at Amazon.com on Jul. 6, 2017,  
[site visited Jan. 12, 2022], Available from Internet, <[https://www.amazon.com/dp/B01GPMH590/ref=sbl\\_dp\\_kitchen-coffee-grinders\\_B083PPJ33T\\_0?th=1](https://www.amazon.com/dp/B01GPMH590/ref=sbl_dp_kitchen-coffee-grinders_B083PPJ33T_0?th=1)> (Year: 2017).\*

(Continued)

*Primary Examiner* — Andrew Kerr  
*Assistant Examiner* — Chariton Alexakis  
(74) *Attorney, Agent, or Firm* — ScienBiziP, P.C.

(57) **CLAIM**

The ornamental design for a coffee grinder, as shown and described.

**DESCRIPTION**

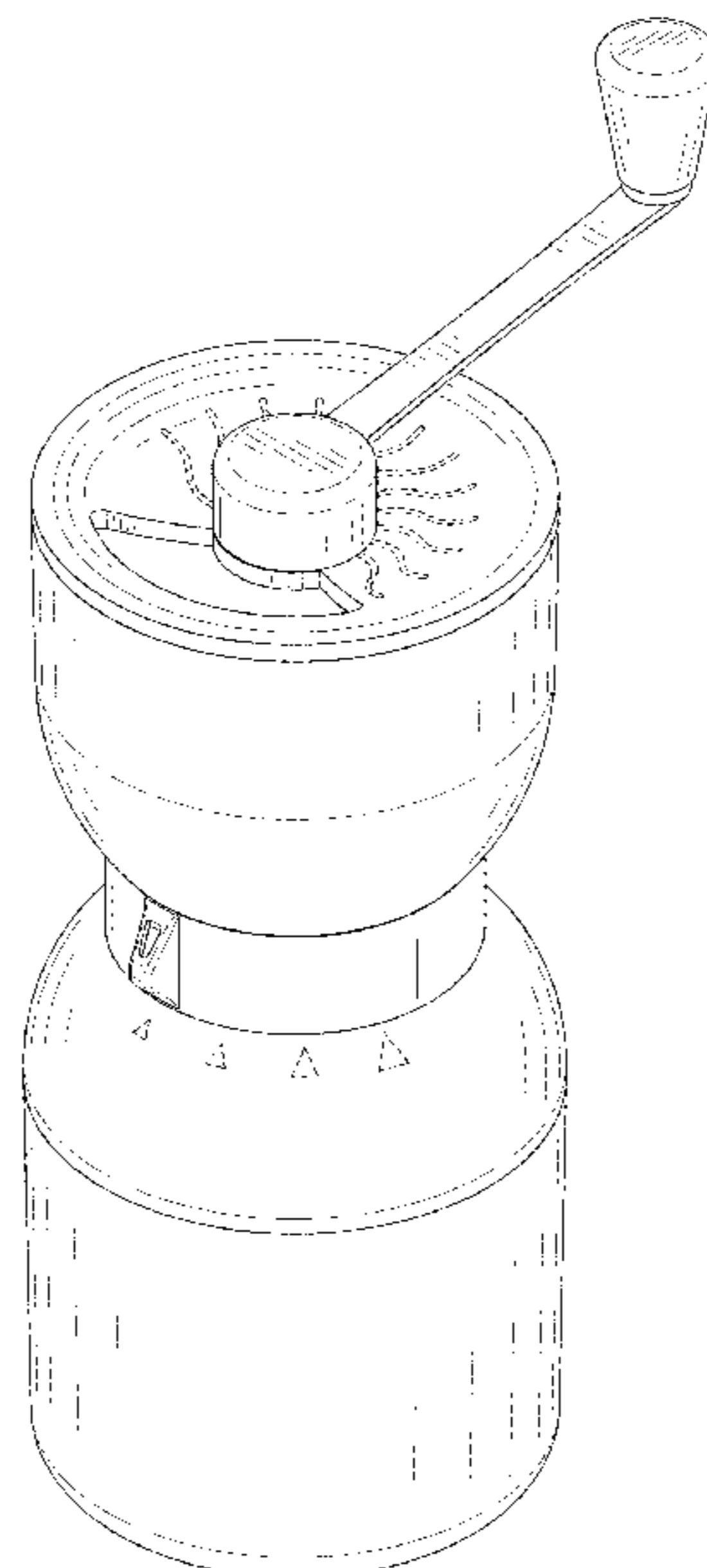
FIG. 1 is a top perspective view of a coffee grinder, showing my design.  
FIG. 2 is a front elevation view thereof.  
FIG. 3 is a rear elevation view thereof.  
FIG. 4 is a left side elevation thereof.  
FIG. 5 is a right side elevation thereof.  
FIG. 6 is a top plan view thereof.  
FIG. 7 is a bottom plan view thereof; and,  
FIG. 8 is a perspective view of the coffee grinder of FIG. 1 in an alternate configuration.  
The broken lines in the drawings depict portions of the coffee grinder that form no part of the claimed design.

(56) **References Cited**

**U.S. PATENT DOCUMENTS**

D183,596 S \* 9/1958 Bowland ..... D7/372  
D390,427 S \* 2/1998 Bounds ..... D7/679  
D397,919 S \* 9/1998 Chiu ..... D7/679  
D431,426 S \* 10/2000 Yip ..... D7/679  
D700,007 S \* 2/2014 Braune ..... D7/373  
D814,233 S \* 4/2018 Burrus ..... D7/373  
D830,138 S \* 10/2018 Zhang ..... D7/679  
D873,629 S \* 1/2020 Brouillac ..... D7/679  
D876,883 S \* 3/2020 Cheng ..... D7/373  
D909,808 S \* 2/2021 Amar ..... D7/373  
D912,481 S \* 3/2021 Brouillac ..... D7/679  
2002/0145065 A1\* 10/2002 McCowin ..... A47J 42/10  
241/169.1

**1 Claim, 8 Drawing Sheets**



(56)

**References Cited**

OTHER PUBLICATIONS

LHS Manual Coffee Grinder, posted at Amazon.com on Jun. 20, 2019, [site visited Jan. 12, 2022], Available from Internet, <<https://www.amazon.com/LHS-Containers-Adjustable-Coarseness-Refillable/dp/B07RS2G42S/>> (Year: 2019).\*

Triple Tree Manual Coffee Grinder, posted at Amazon.com on Jul. 31, 2019, [site visited Jan. 12, 2022], Available from Internet, <<https://www.amazon.com/Grinder-grinder-Ceramic-Stainless-Suitable/dp/B07VWN5B31/>> (Year: 2019).\*

Vevok Chef Manual Coffee Grinder, posted at Amazon.com on Jan. 10, 2020, [site visited Jan. 12, 2022], Available from Internet, <<https://www.amazon.com/Grinder-Adjustable-Setting-Stainless-Portable/dp/B083PPJ33T/>> (Year: 2020).\*

\* cited by examiner

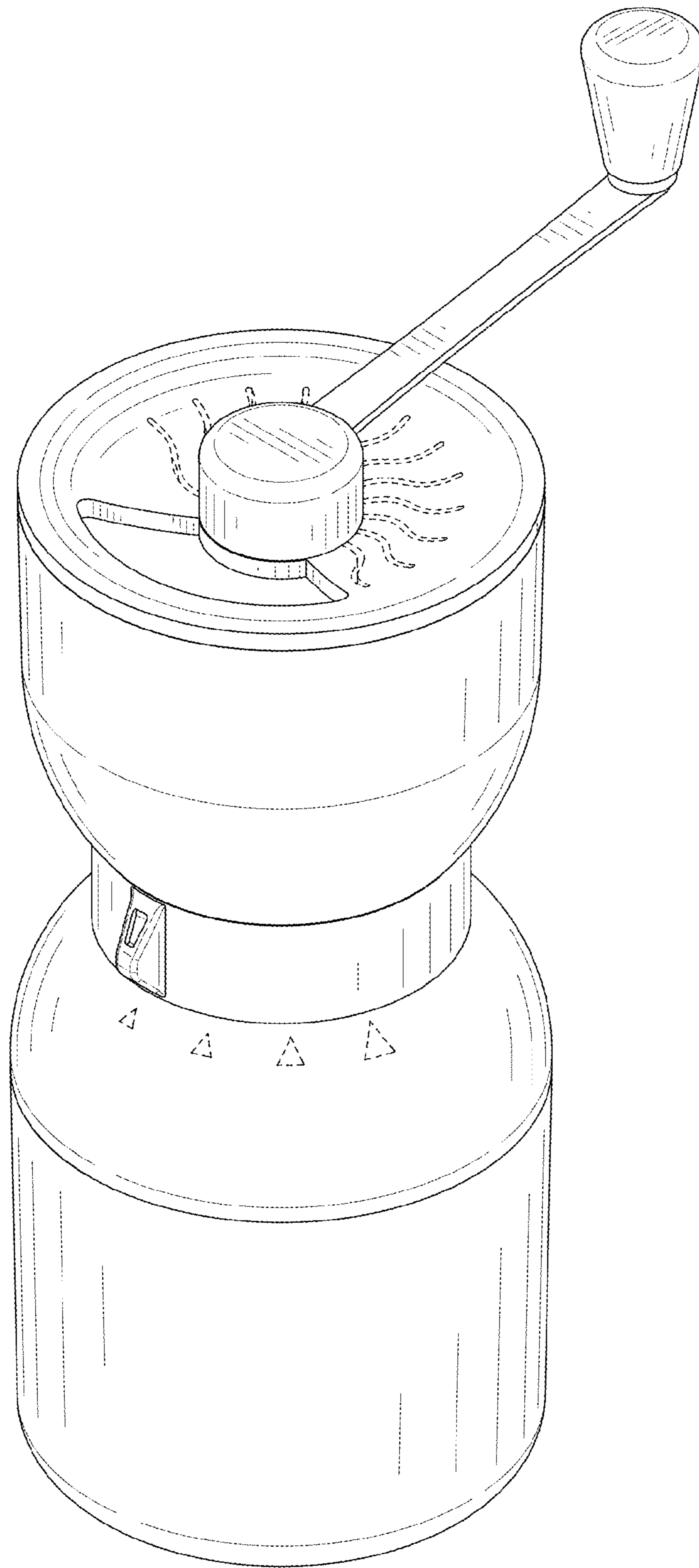


FIG. 1

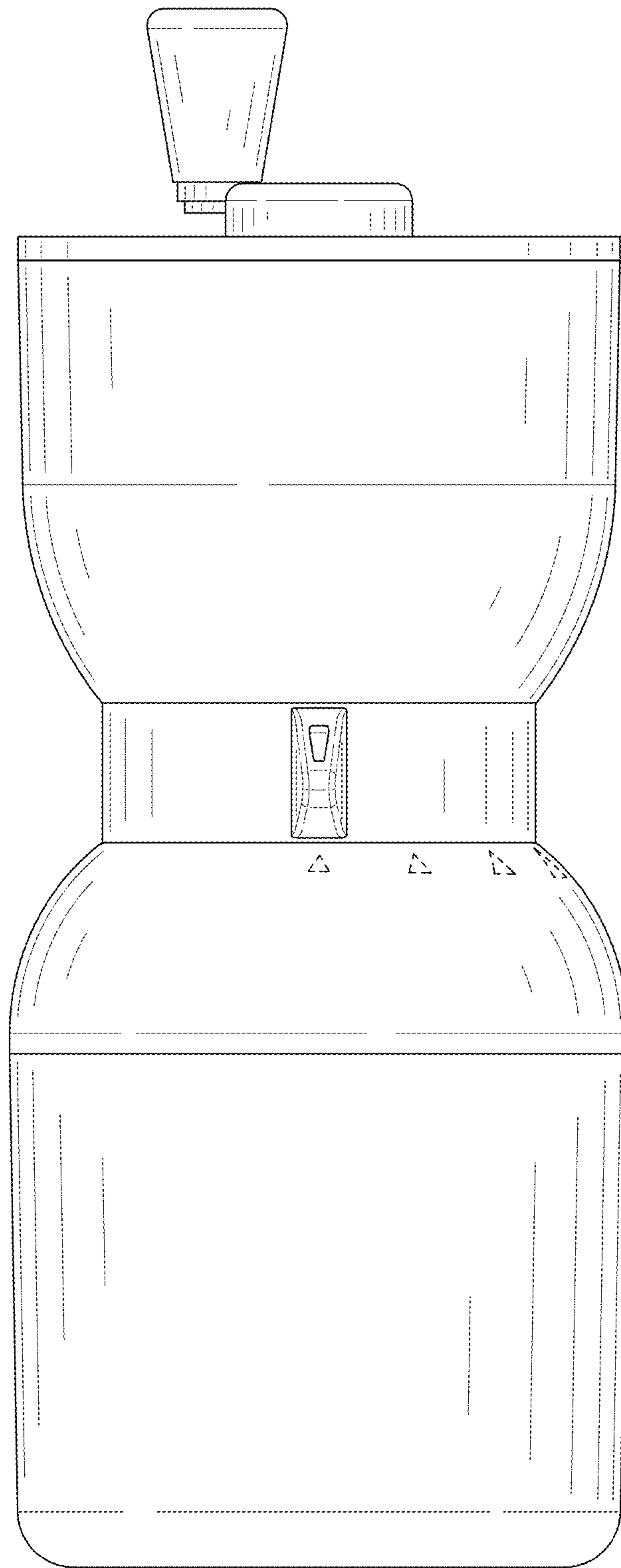


FIG. 2

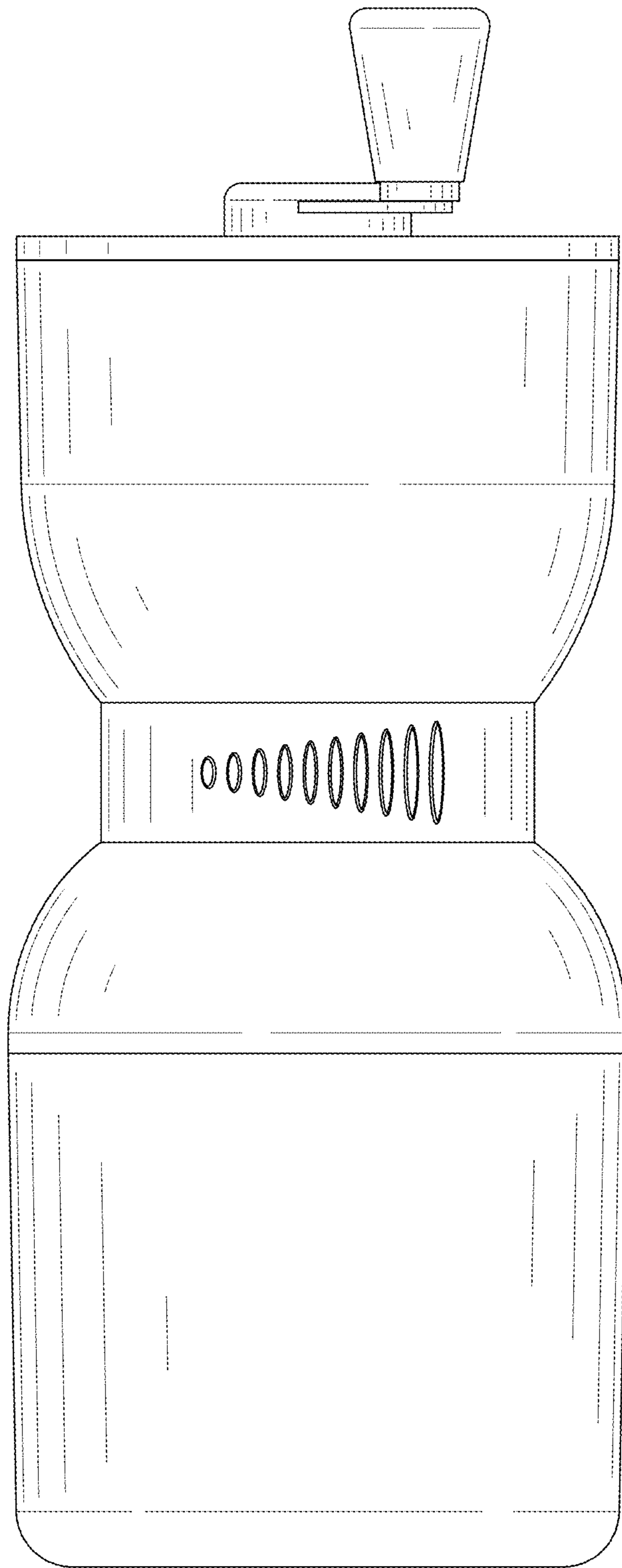


FIG. 3



FIG. 4





FIG. 5

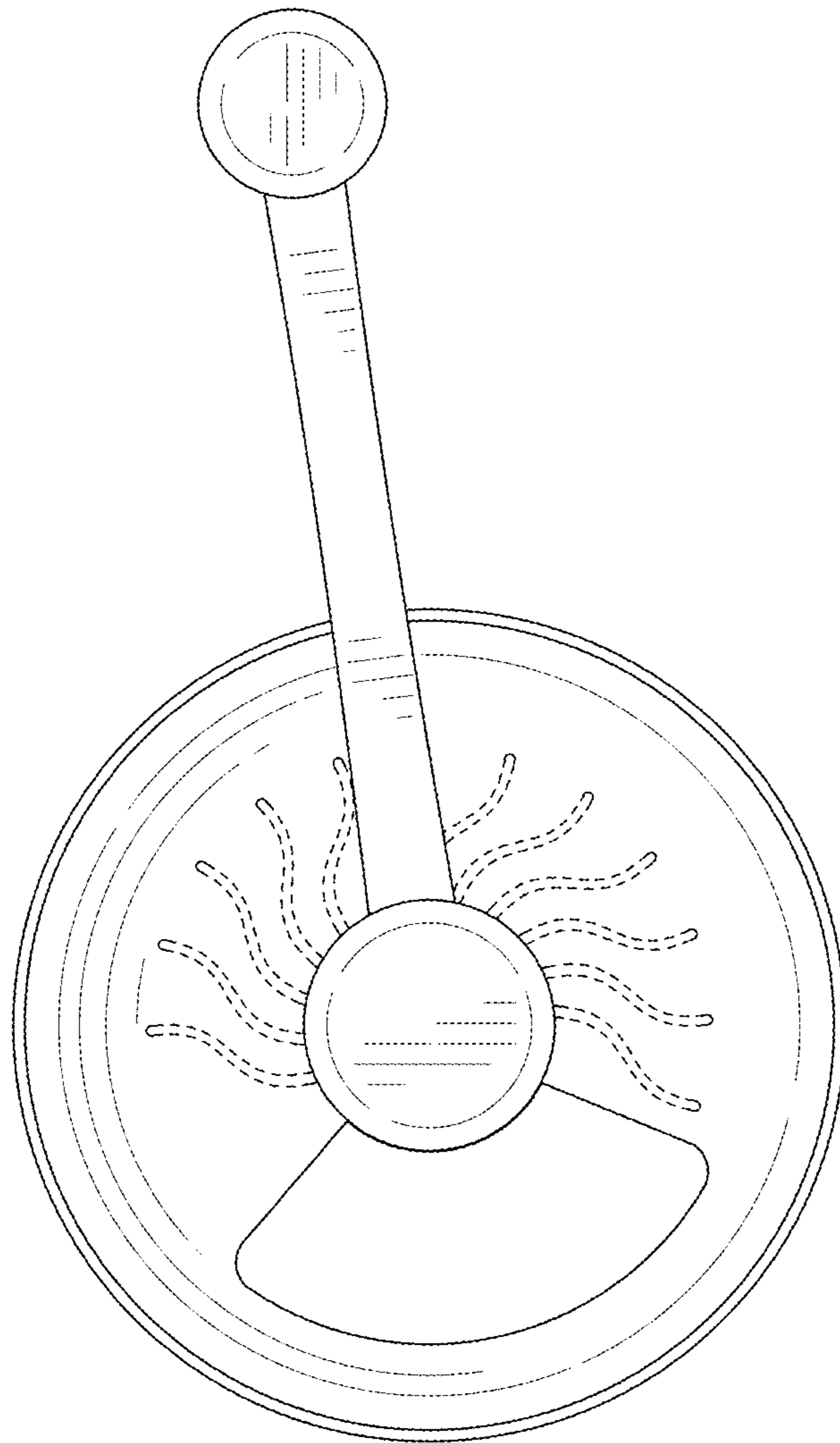


FIG. 6



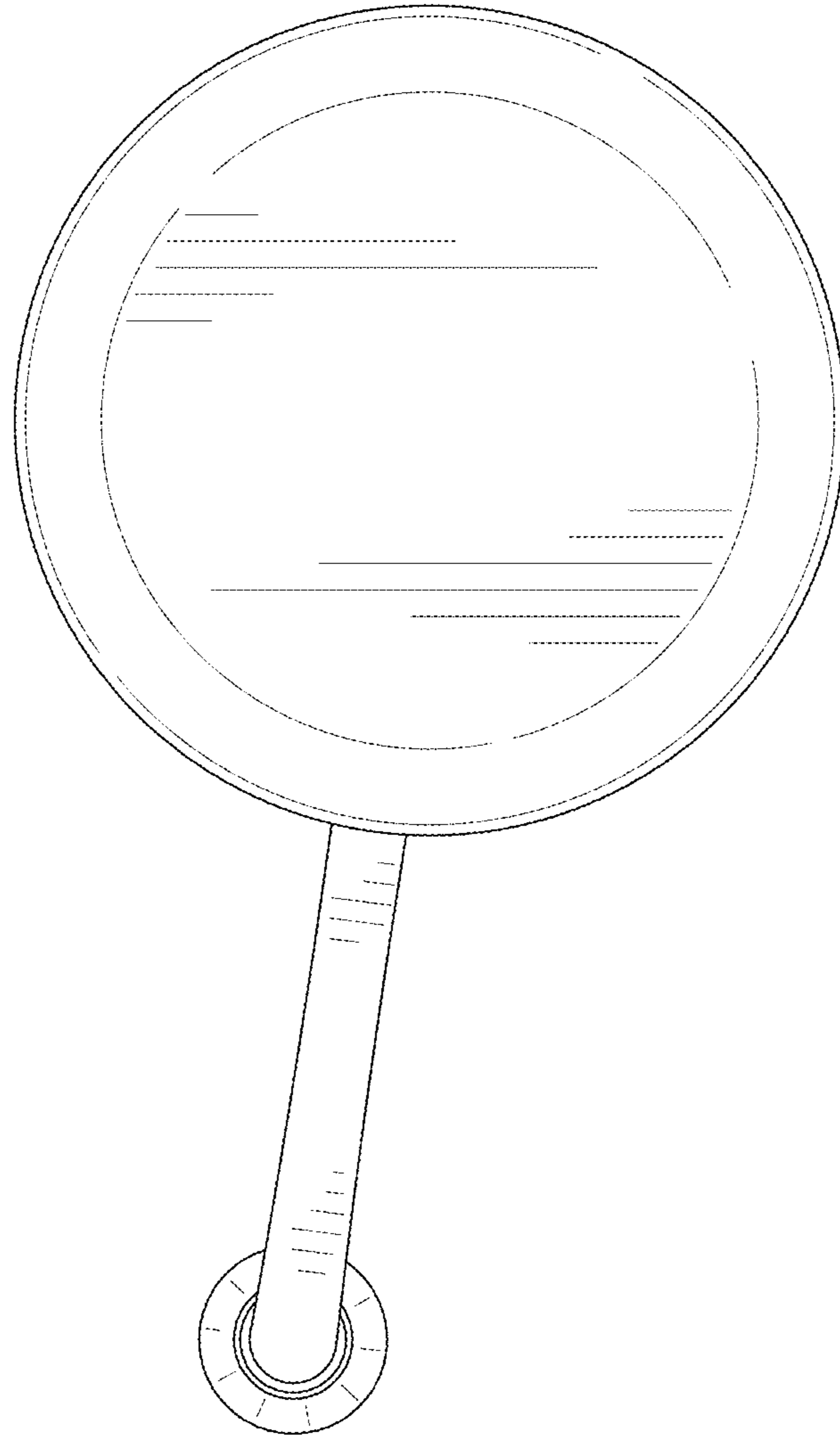


FIG. 7

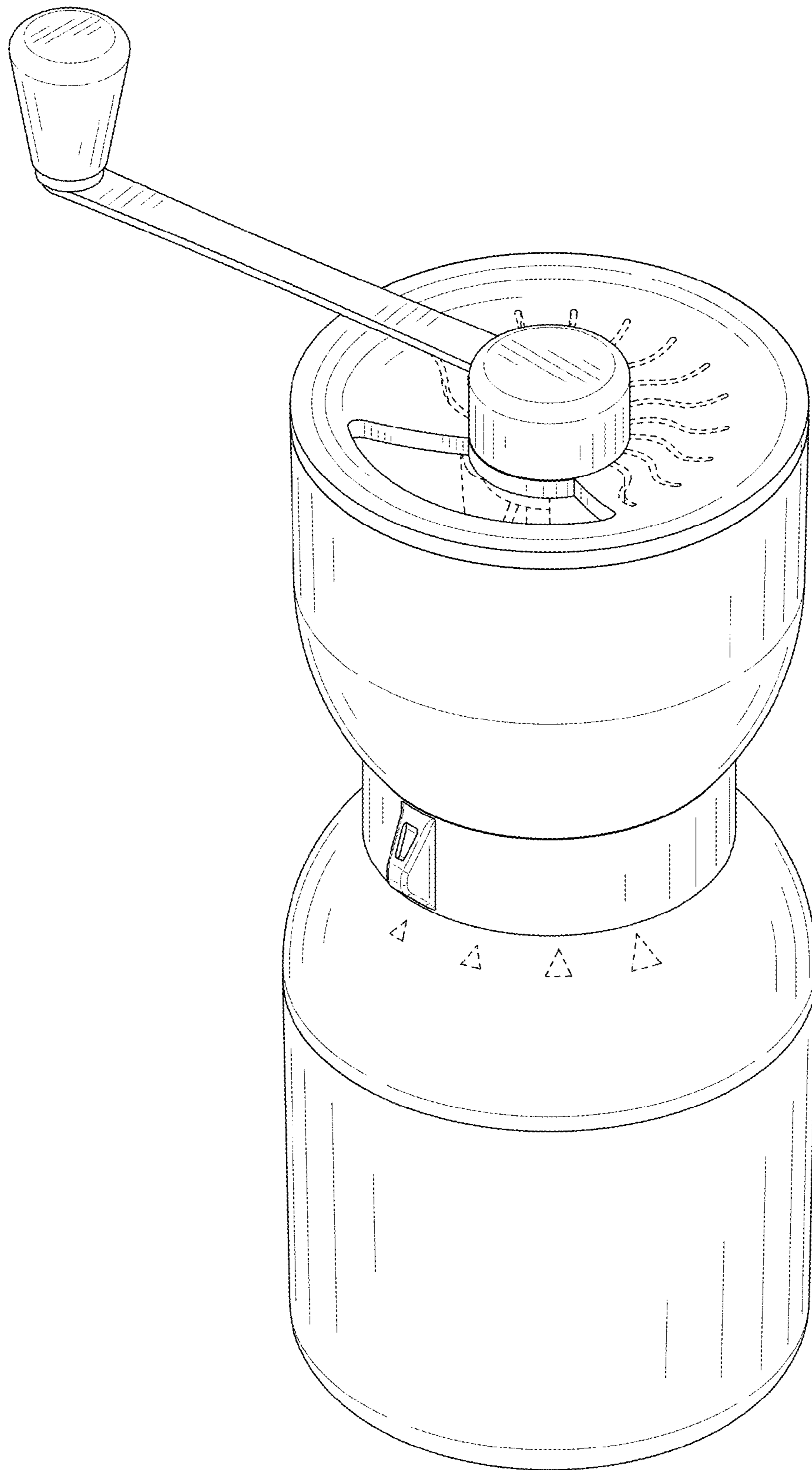


FIG. 8