



US00D947592S

(12) **United States Design Patent** (10) **Patent No.:** **US D947,592 S**
Chen (45) **Date of Patent:** **** Apr. 5, 2022**

(54) **AIR FRYER**
(71) Applicant: **Ningbo Yanxi COMMODITY Co., Ltd., Ningbo (CN)**
(72) Inventor: **Jiahao Chen, Ningbo (CN)**
(**) Term: **15 Years**
(21) Appl. No.: **29/783,701**
(22) Filed: **May 14, 2021**
(51) **LOC (13) Cl.** **07-02**
(52) **U.S. Cl.**
USPC **D7/354**
(58) **Field of Classification Search**
USPC D7/323, 354-361
CPC A23L 1/01; A23L 1/0107; A23L 1/0114;
A47J 27/00; A47J 27/08; A47J 27/09;
A47J 27/092; A47J 36/025; A47J 36/06;
A47J 36/08; A47J 36/10; A47J 36/12;
A47J 36/18; A47J 36/20; A47J 36/22;
A47J 36/165; A47J 37/00; A47J 37/0641;
A47J 37/12; A47J 37/129; A47J 37/1204;
A47J 37/1209; A47J 37/1214; A47J
37/1219; A47J 37/1266; A47J 37/1285;
A47J 37/1295; G07F 17/0064; G07F
17/0078; G07F 17/0085; H05B 6/02;
H05B 6/06; H05B 6/12
See application file for complete search history.

(56) **References Cited**
U.S. PATENT DOCUMENTS
D452,795 S * 1/2002 Johnson D7/354
D804,236 S * 12/2017 Zhang D7/354
D820,031 S 6/2018 Zhang
D836,381 S * 12/2018 Moon D7/354
D839,040 S 1/2019 Seymour
D841,388 S 2/2019 Zhang
D848,198 S 5/2019 Kowalewski
D848,199 S 5/2019 Kowalewski
D848,200 S 5/2019 Kowalewski

D871,827 S * 1/2020 Moon D7/354
D873,600 S 1/2020 Hu
D875,460 S * 2/2020 Chen D7/354
D875,463 S * 2/2020 Chen D7/354
D878,138 S 3/2020 Van Ratingen
D878,850 S 3/2020 Hu
D879,539 S * 3/2020 Chen D7/354
D883,729 S 5/2020 Yang
D932,232 S * 10/2021 Yang D7/354
D934,021 S * 10/2021 Luo D7/354
D937,623 S * 12/2021 Qin D7/354
D938,218 S * 12/2021 Dubeau D7/354

(Continued)

OTHER PUBLICATIONS

PHKOK Air Fryer. Date First Available on Amazon.com Oct. 16, 2021. <https://www.amazon.com/dp/B09FPJKHGW/ref> (Year: 2021).*

Primary Examiner — Ricky Pham
(74) *Attorney, Agent, or Firm* — Rumit Ranjit Kanakia

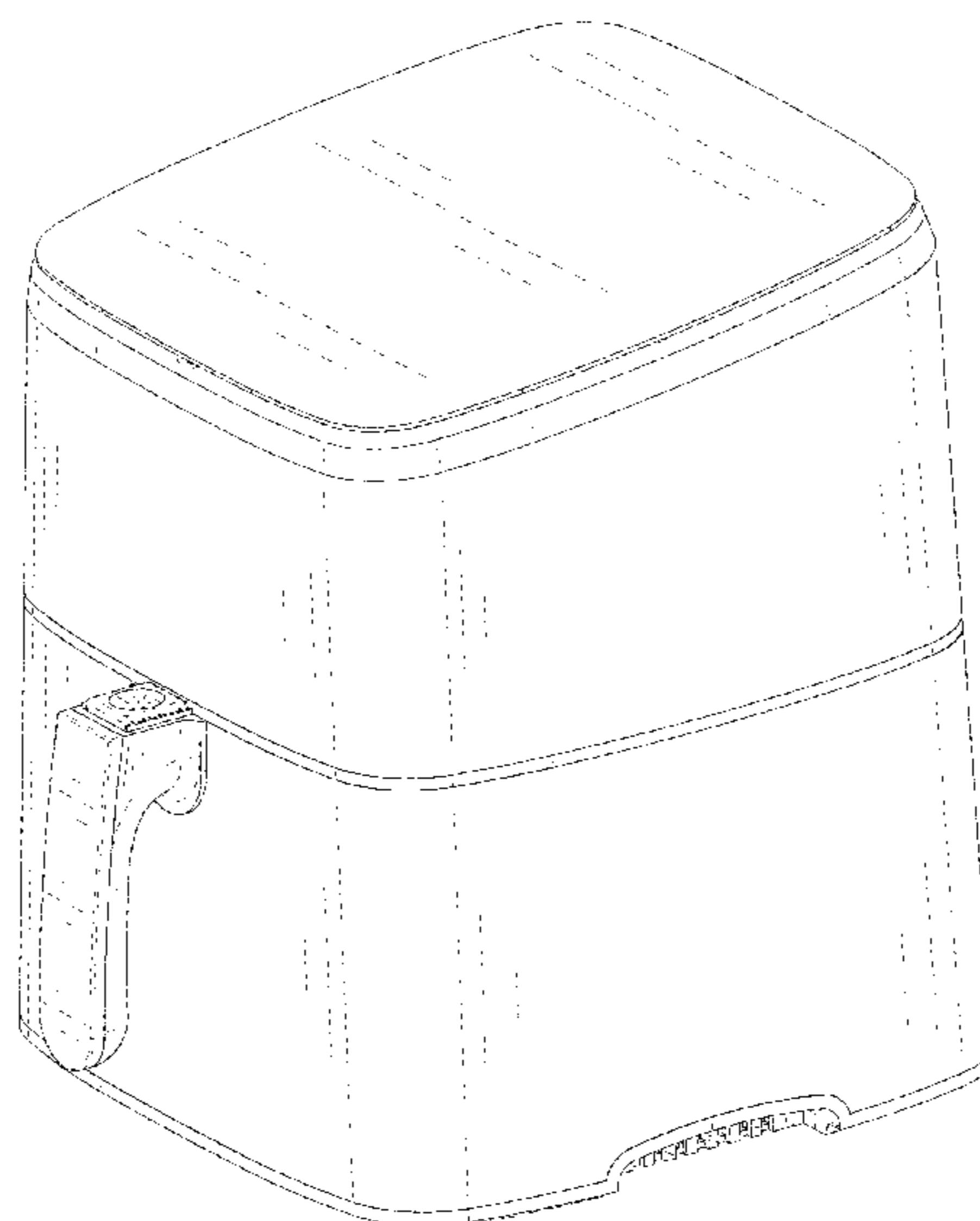
(57) **CLAIM**

The ornamental design for an air fryer, as shown and described.

DESCRIPTION

FIG. 1 is a front elevational view of an air fryer showing my new design;
FIG. 2 is a rear elevational view thereof;
FIG. 3 is a left side view thereof;
FIG. 4 is a right side view thereof;
FIG. 5 is a top plan view thereof;
FIG. 6 is a bottom plan view thereof;
FIG. 7 is a perspective view of a air fryer showing my new design;
FIG. 8 is another perspective view thereof; and,
FIG. 9 is the third perspective view thereof.
The broken lines in the figures are for the purposes of illustrating portions, of the air fryer, which form no part of the claimed design.

1 Claim, 9 Drawing Sheets



(56)

References Cited

U.S. PATENT DOCUMENTS

D939,886 S * 1/2022 Yang D7/354
2015/0122137 A1 * 5/2015 Chang A47J 37/0641
220/573.1

* cited by examiner

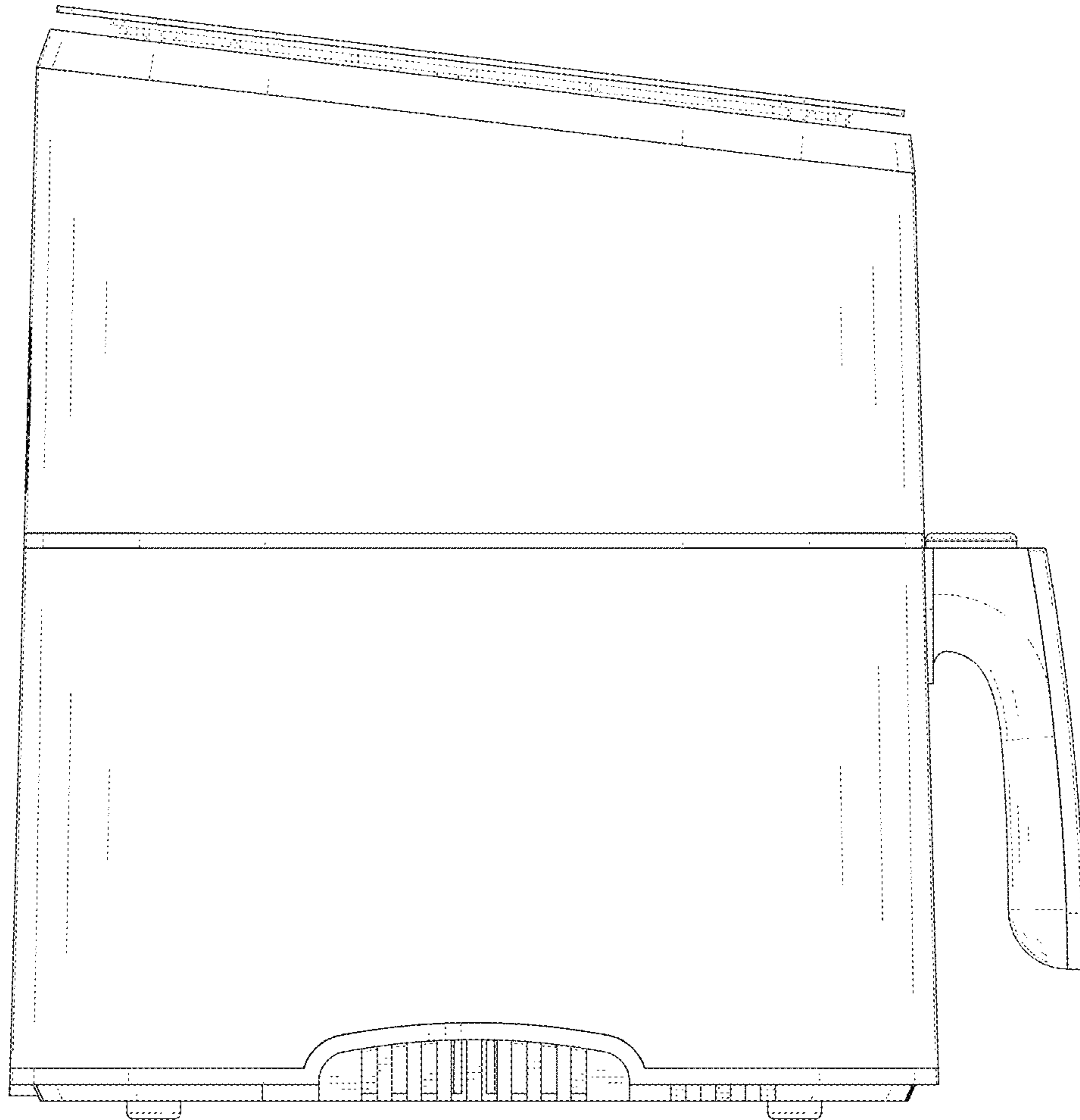


FIG. 1

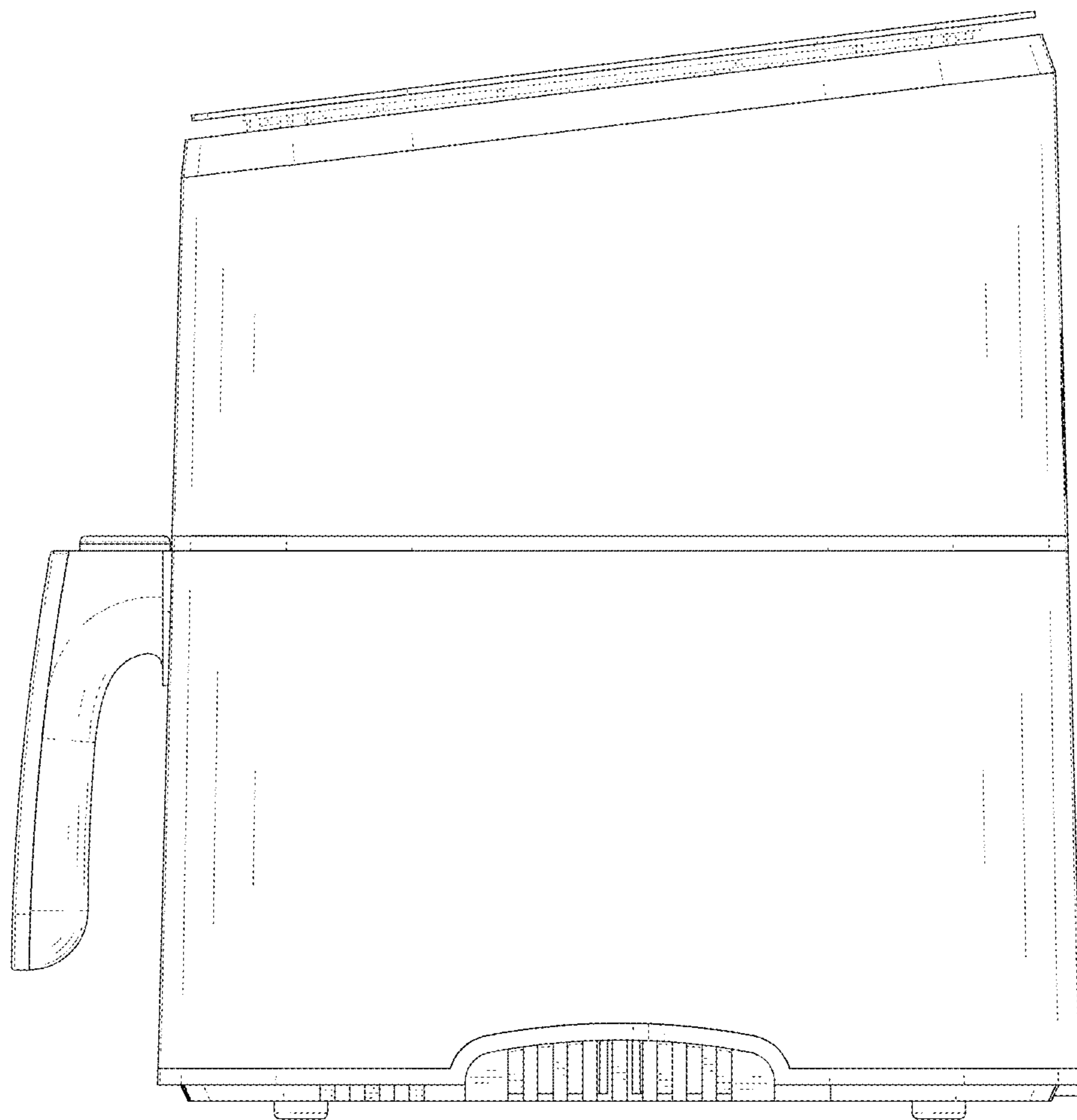


FIG. 2

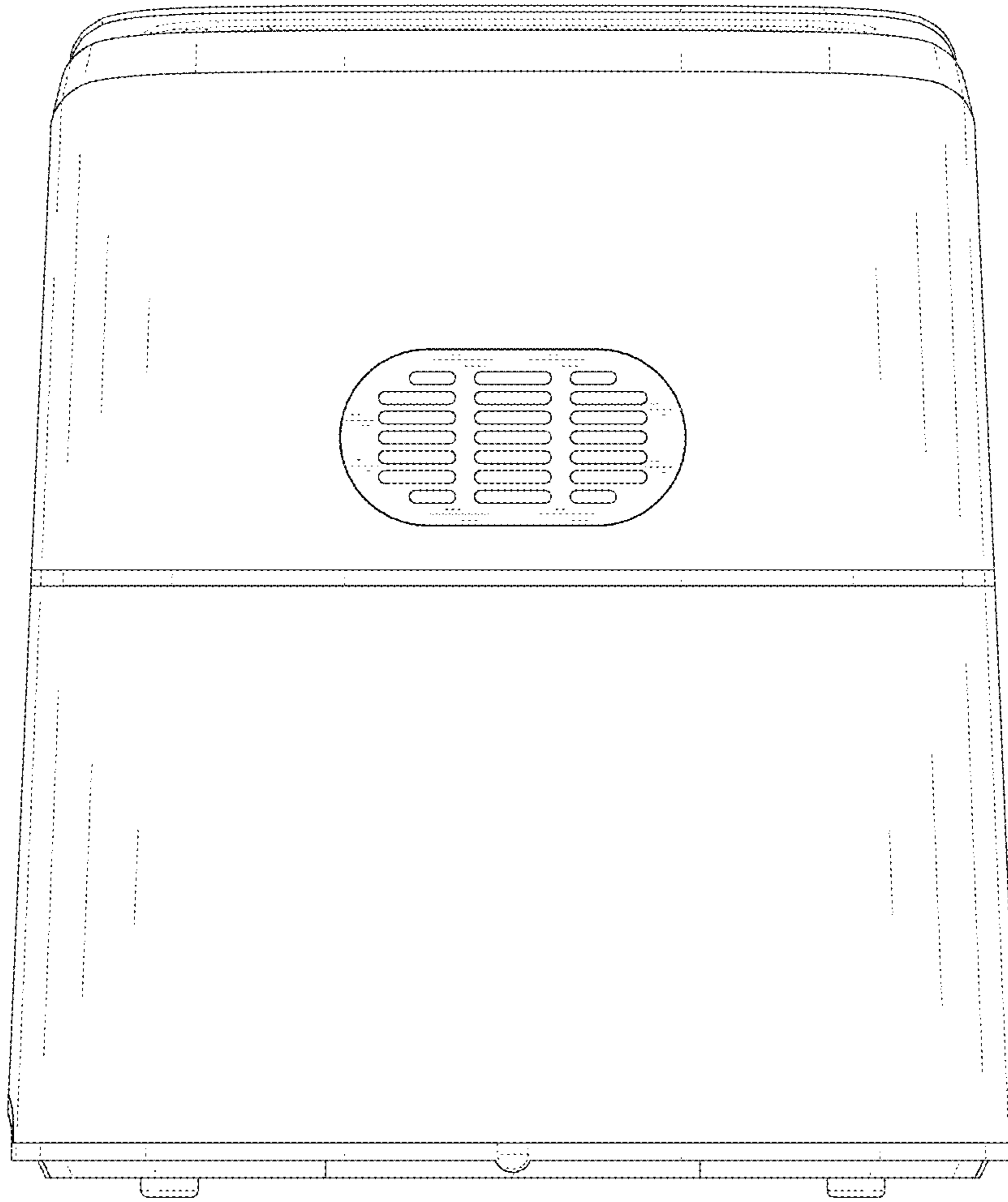


FIG. 3

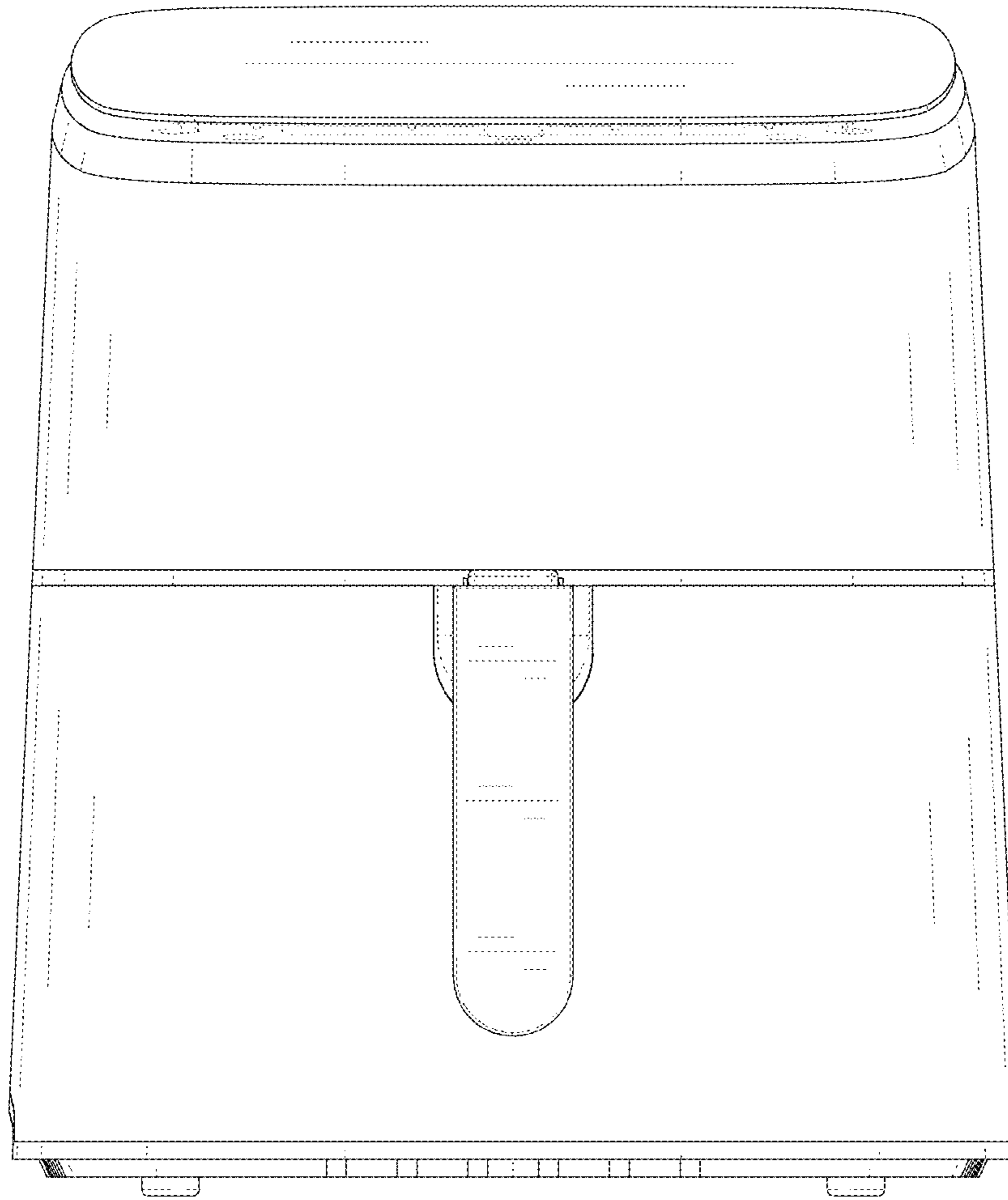


FIG. 4

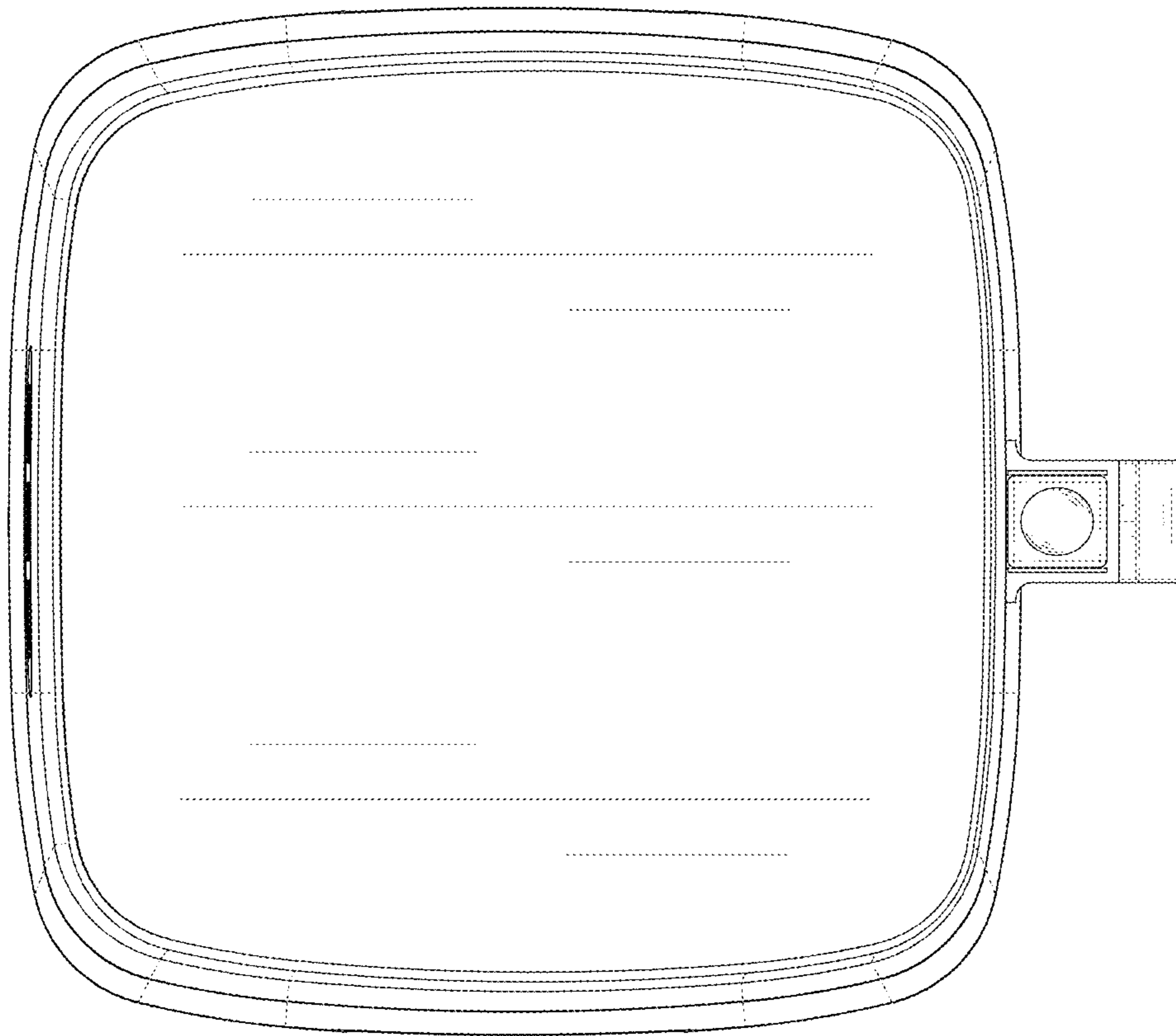


FIG. 5

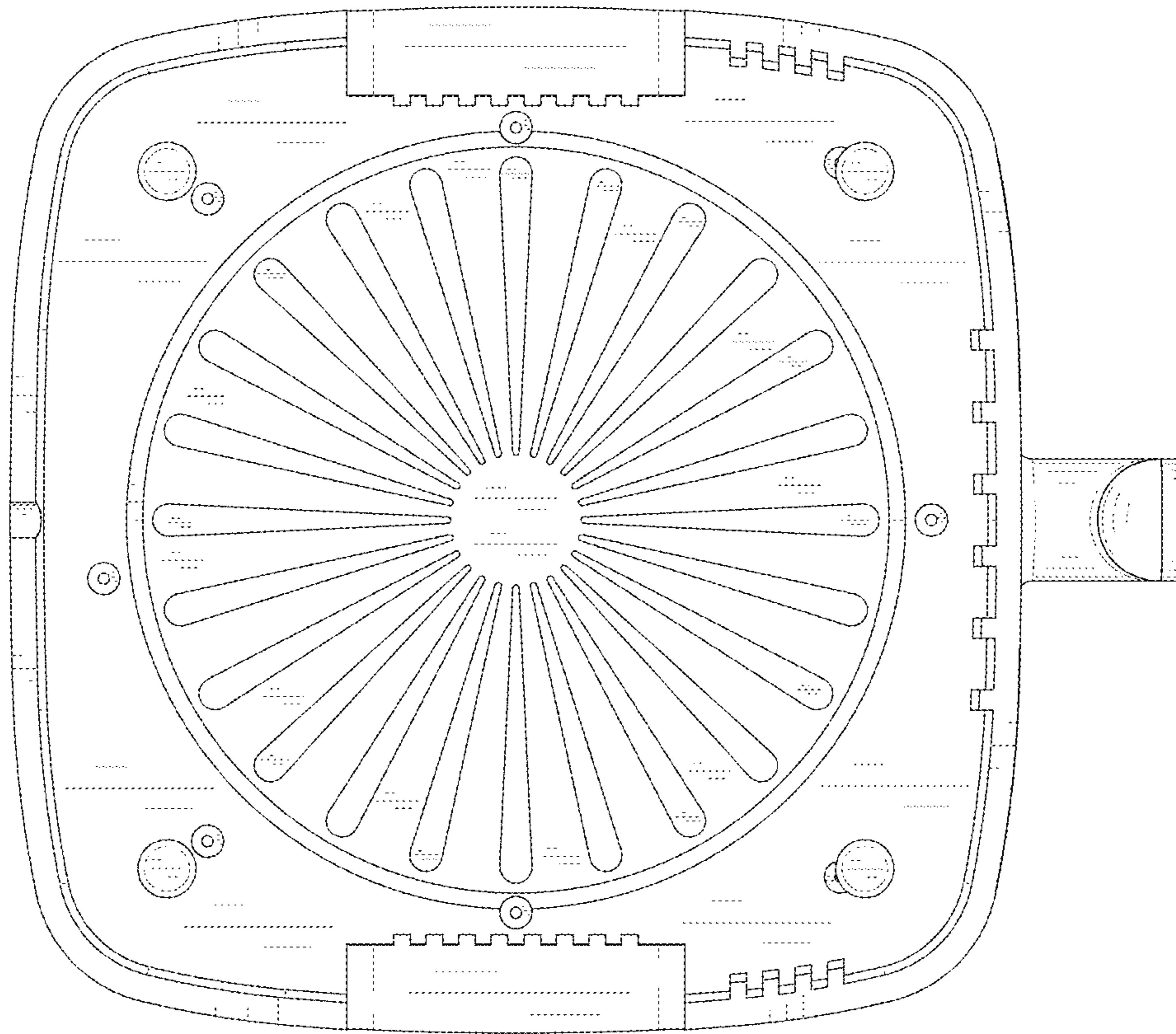


FIG. 6

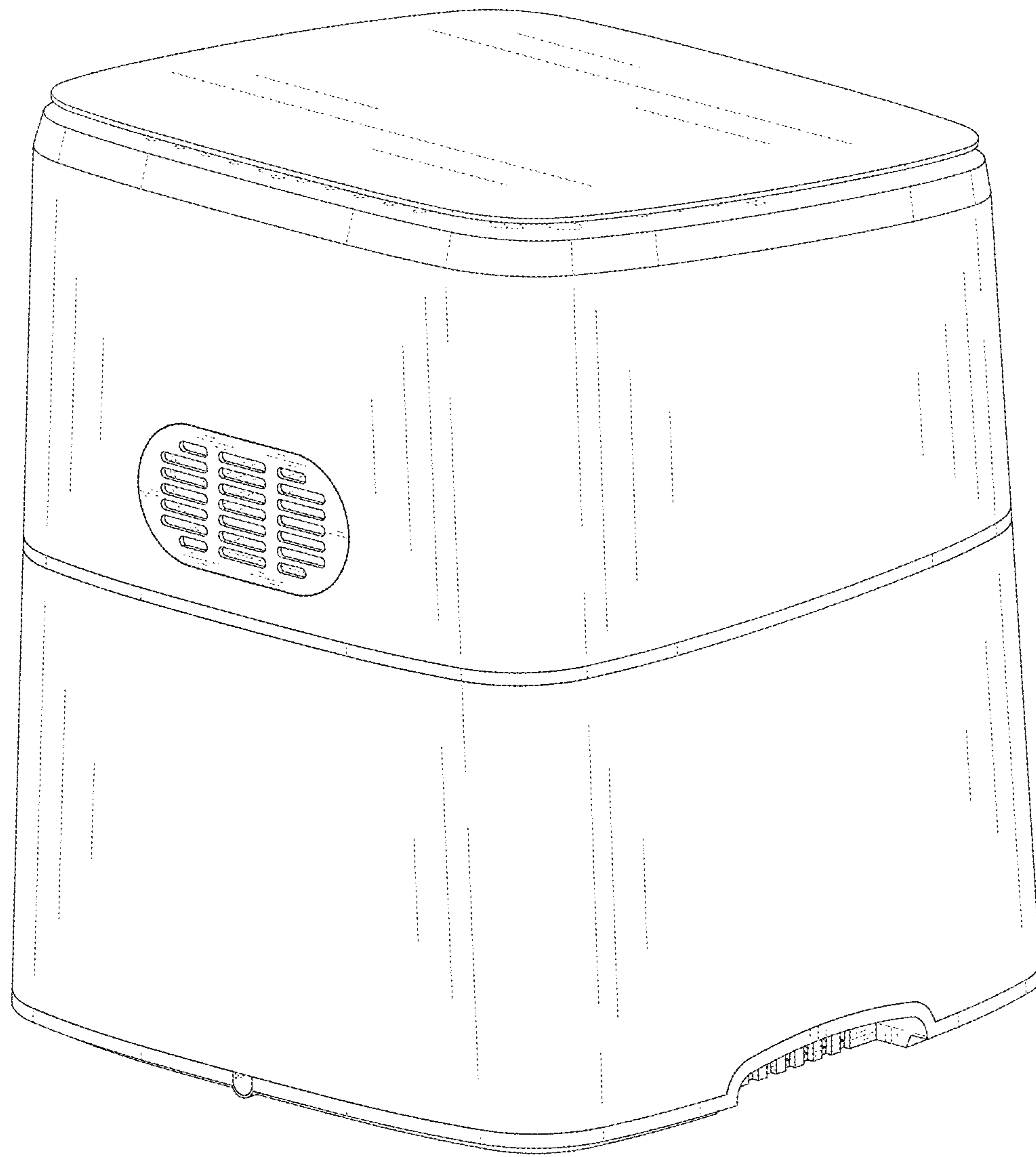


FIG. 7

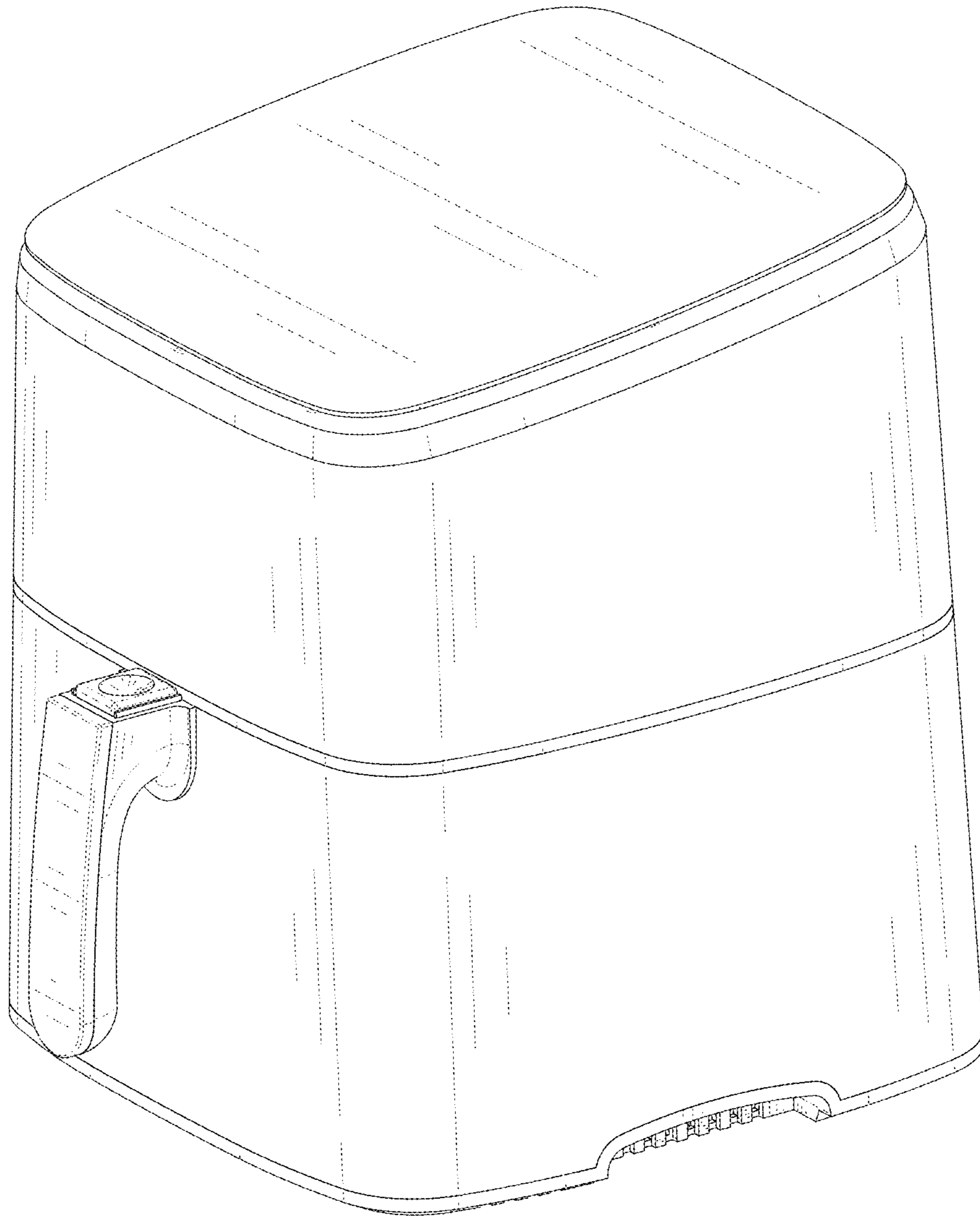


FIG. 8

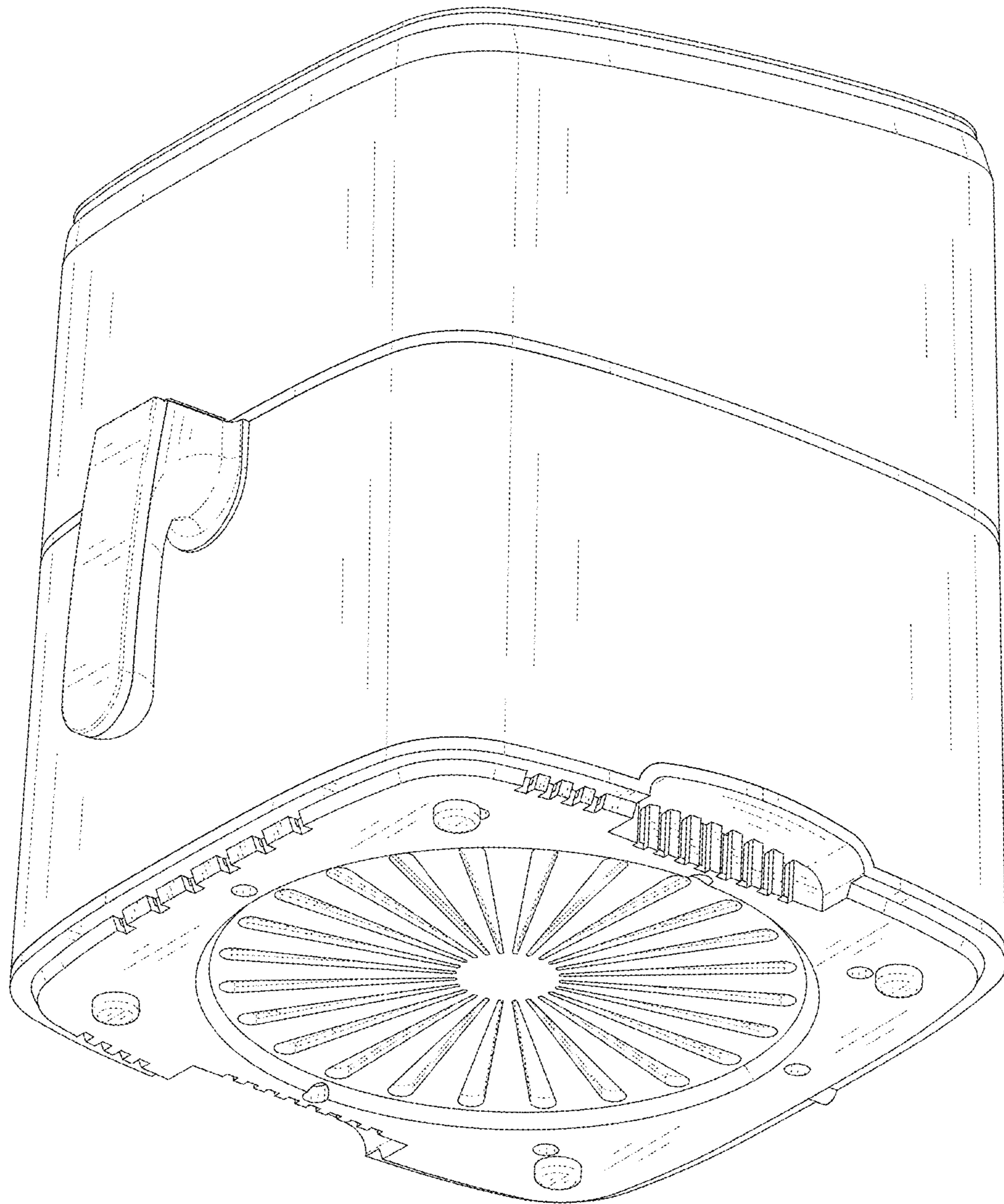


FIG. 9