



US00D947589S

(12) **United States Design Patent**
Czach et al.

(10) **Patent No.:** **US D947,589 S**
(45) **Date of Patent:** **** Apr. 5, 2022**

- (54) **OUTDOOR GRILL**
- (71) Applicant: **Traeger Pellet Grills, LLC**, Salt Lake City, UT (US)
- (72) Inventors: **Matthew G. Czach**, Kalamazoo, MI (US); **Kevin Alexander**, Salt Lake City, UT (US); **Fredric James Biddle**, Kalamazoo, MI (US)
- (73) Assignee: **Traeger Pellet Grills, LLC**, Salt Lake City, UT (US)
- (**) Term: **15 Years**
- (21) Appl. No.: **29/652,626**
- (22) Filed: **Oct. 6, 2020**
- (51) **LOC (13) Cl.** **07-02**
- (52) **U.S. Cl.**
USPC **D7/334; D7/405**
- (58) **Field of Classification Search**
USPC D7/323, 332-339, 347, 387, 402-406, D7/409; D21/523, 524
CPC A47J 37/06; A47J 37/0605; A47J 37/0623; A47J 37/0647; A47J 37/07; A47J 37/0704; A47J 37/0709; A47J 37/0713; A47J 37/0718; A47J 37/0727; A47J 37/0731; A47J 37/074; A47J 37/0745; A47J 37/075; A47J 37/0754; A47J 37/0763
See application file for complete search history.

- D820,023 S * 6/2018 Zhou D7/334
 - D839,047 S * 1/2019 Colston A47J 37/0704
 - 10,213,051 B2 * 2/2019 Colston F24C 1/16
- (Continued)

OTHER PUBLICATIONS

Design No. 306867446, Oct. 8, 2021—China National Intellectual Property Administration (CNIPA) Publication Date—Oct. 8, 2021 Owner—Traeger Pellet Grills LLC, Designer—Matthew g chach, et. al. WIPO, available at <https://www3.wipo.int/designdb/en/index.jsp> (Year: 2021).*

(Continued)

Primary Examiner — Mary Ann Calabrese
Assistant Examiner — Natalya M Rapundalo
(74) *Attorney, Agent, or Firm* — TraskBritt

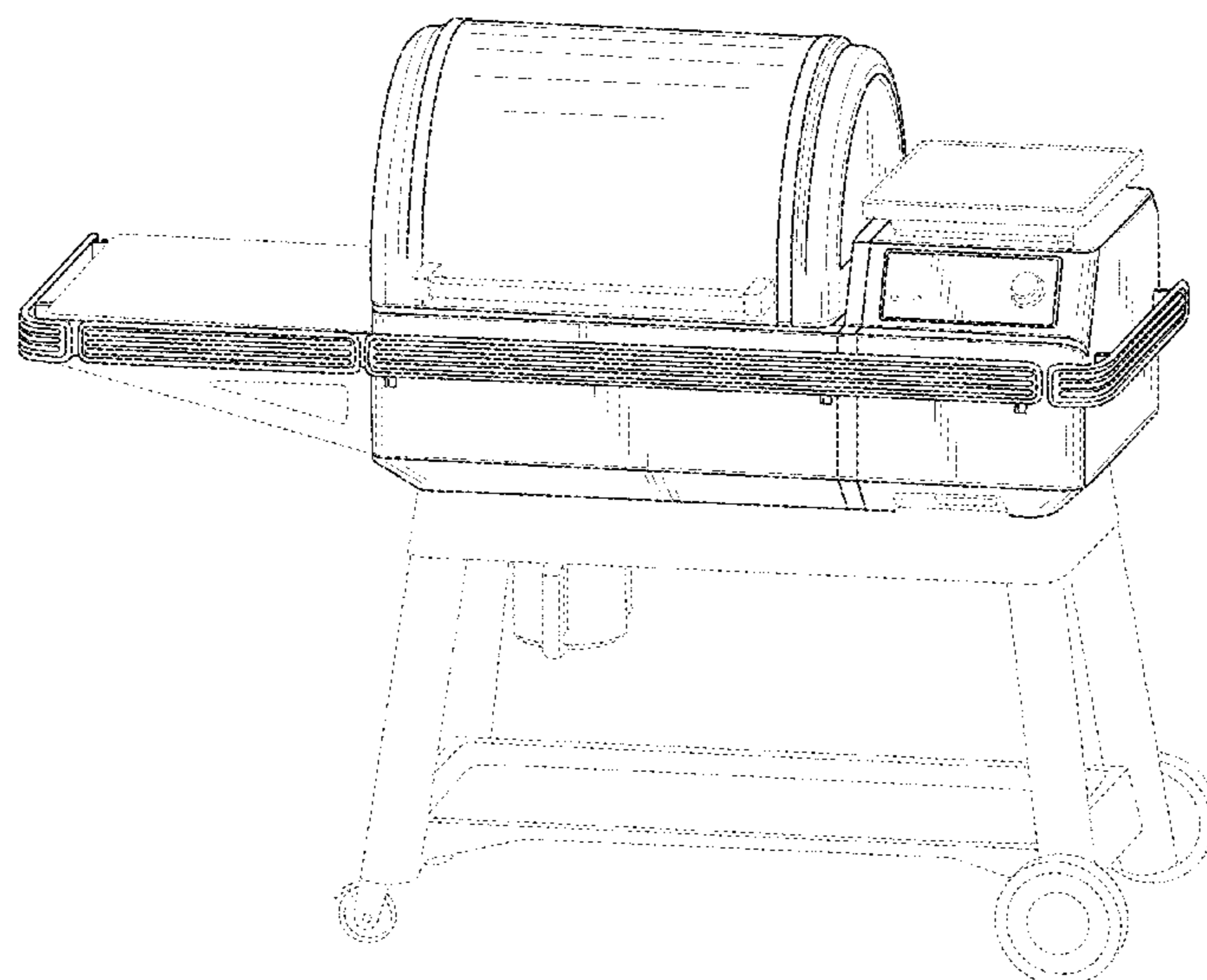
(57) **CLAIM**

The ornamental design for an outdoor grill, as shown and described.

DESCRIPTION

FIG. 1 is a front, right perspective view of our new design for an outdoor grill.
FIG. 2 is a front view of the outdoor grill shown in FIG. 1.
FIG. 3 is a back side view of the outdoor grill shown in FIG. 1.
FIG. 4 is a left side view of the outdoor grill shown in FIG. 1.
FIG. 5 is a right side view of the outdoor grill shown in FIG. 1.
FIG. 6 is a top view of the outdoor grill shown in FIG. 1; and,
FIG. 7 is a bottom view of the outdoor grill shown in FIG. 1.
The broken lines illustrate portions of the outdoor grill and form no part of the claimed design.

1 Claim, 7 Drawing Sheets



(56)

References Cited

U.S. PATENT DOCUMENTS

D915,812 S * 4/2021 Bennion A23B 4/052
D7/334
2018/0368618 A1* 12/2018 Measom A23B 4/052
2019/0133374 A1* 5/2019 McAdams F23B 40/08
2021/0298333 A1* 9/2021 Strong F23N 5/265

OTHER PUBLICATIONS

Direct Wicker 2021 New Upgrade Wood Pellet Grill and Smoker, Home Depot, [online], [site visited Nov. 11, 2021], Available from internet URL: <https://www.homedepot.com/p/DIRECT-WICKER-2021-New-Upgrade-Wood-Pellet-Grill-and-Smoker-8-in-1-BBQ-Grill-Auto-Temperature-Control-in-Silver-ZPG-L6002E/316877558> (Year: 2021).*

* cited by examiner

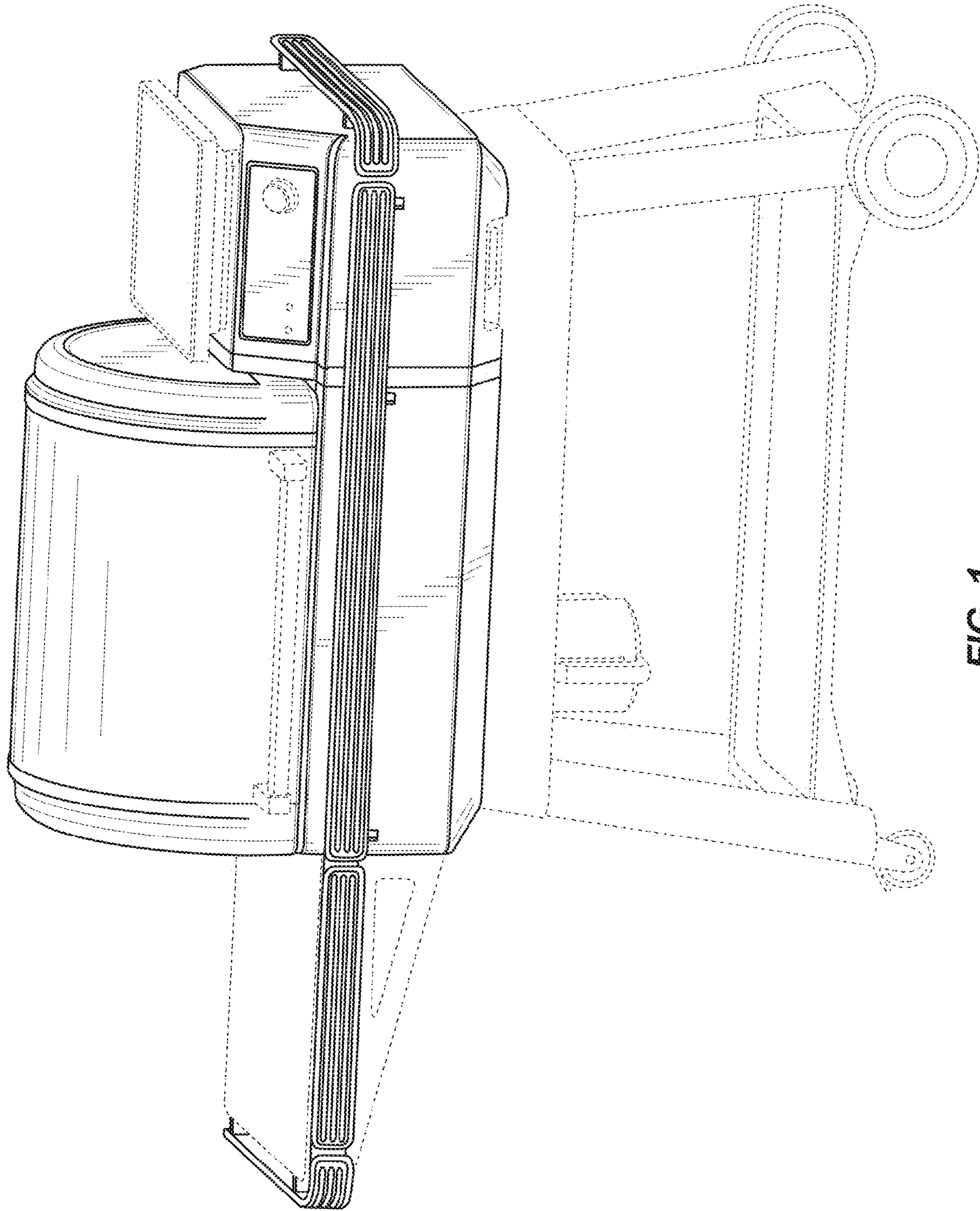


FIG. 1

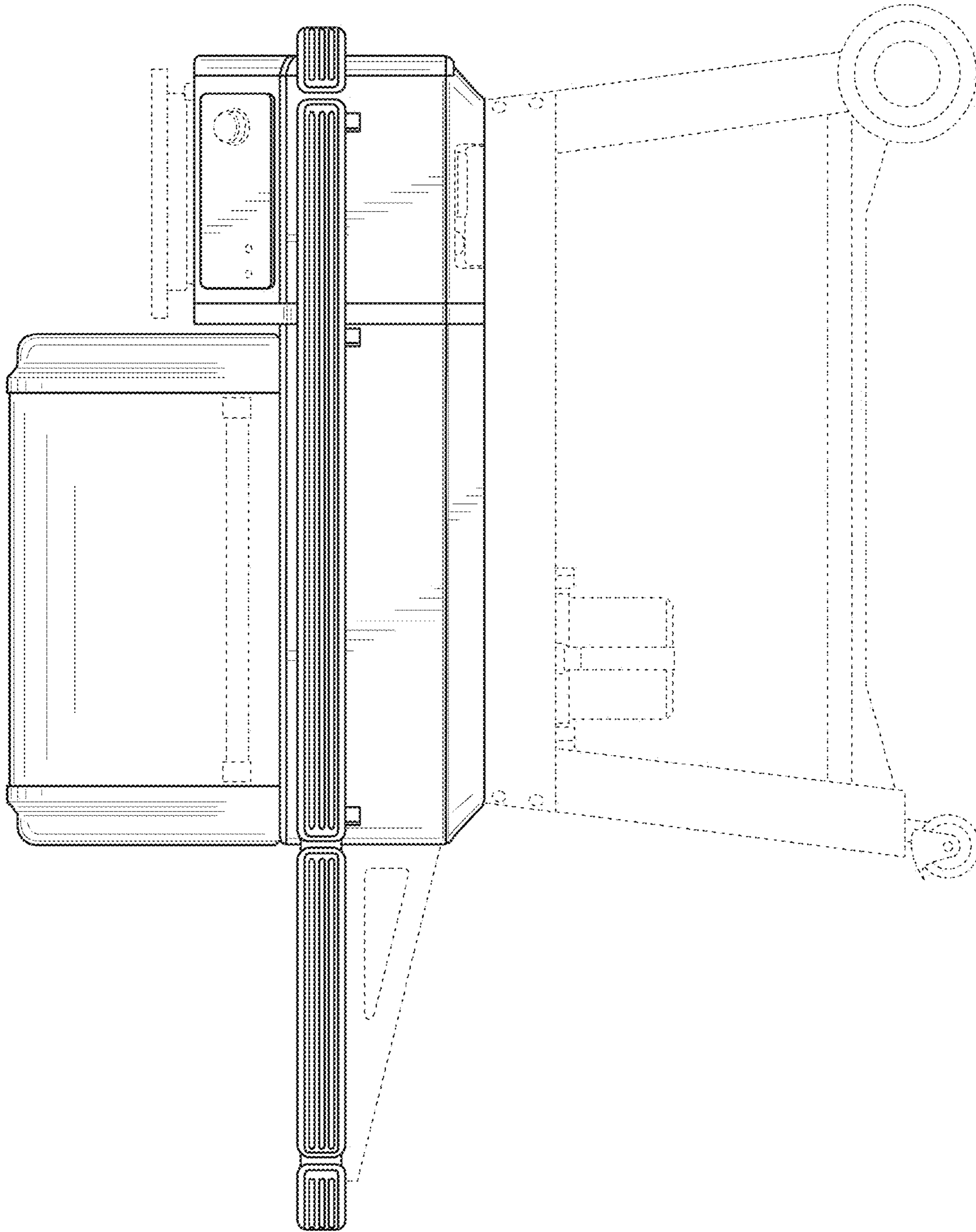


FIG. 2

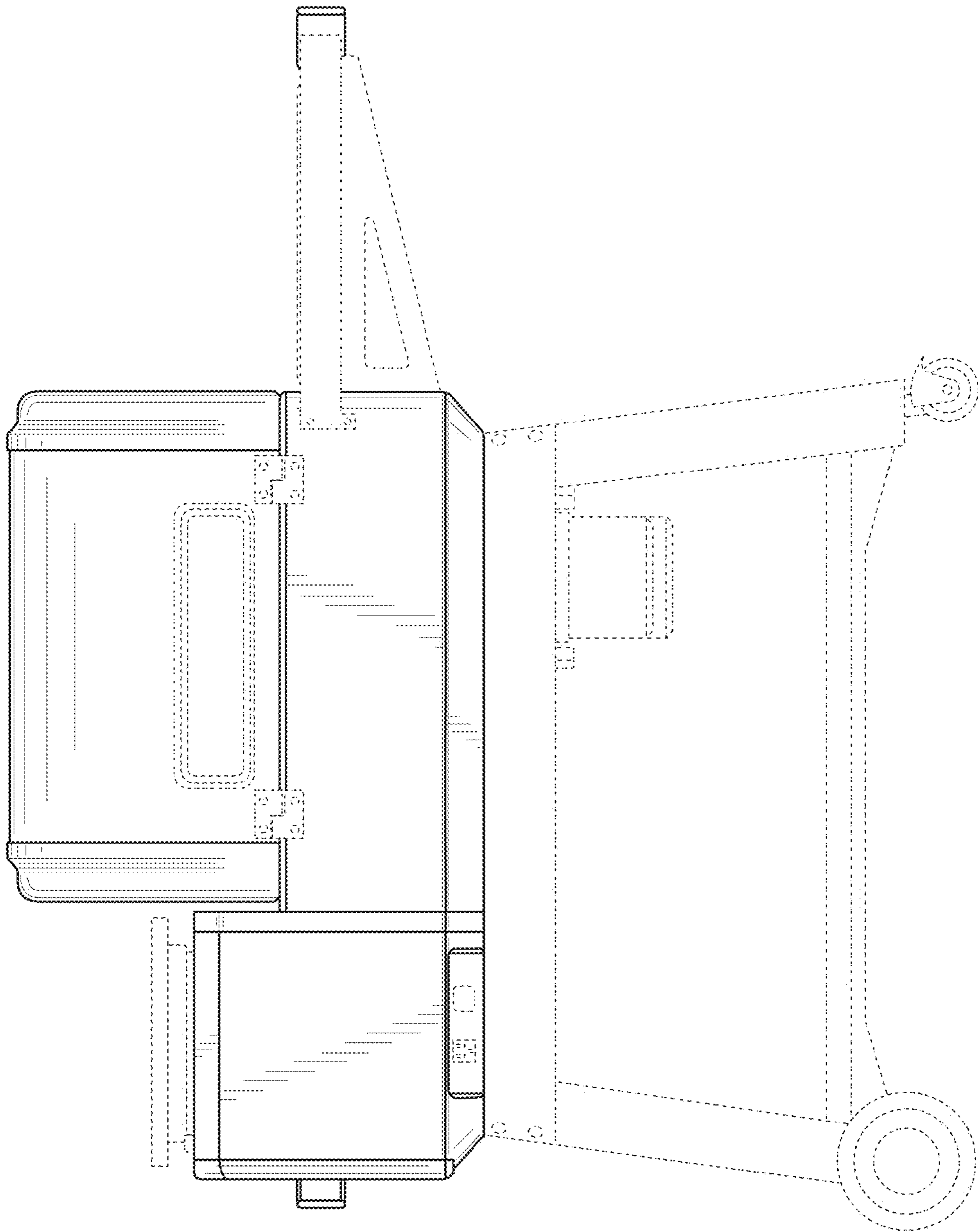


FIG. 3

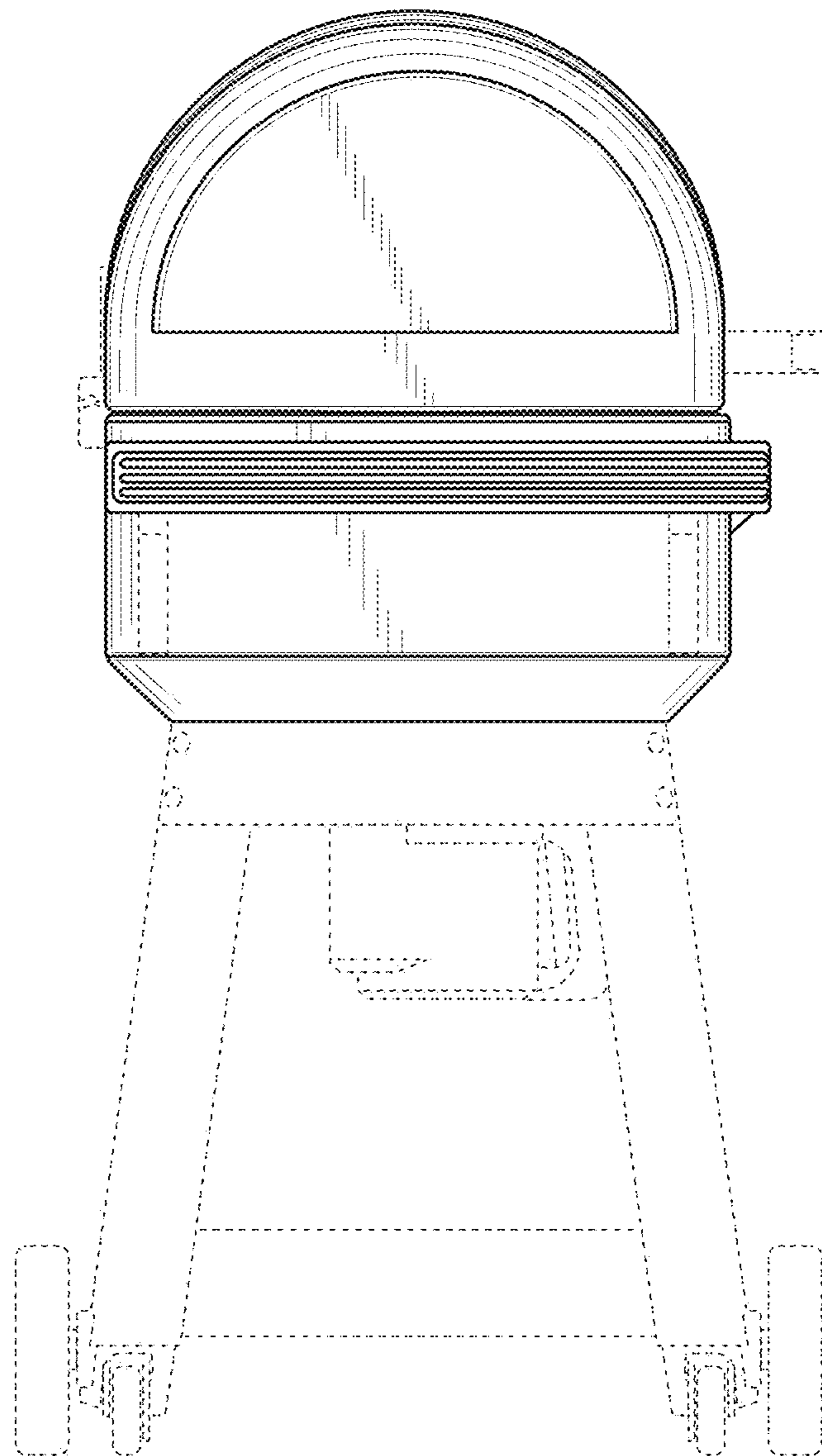


FIG. 4

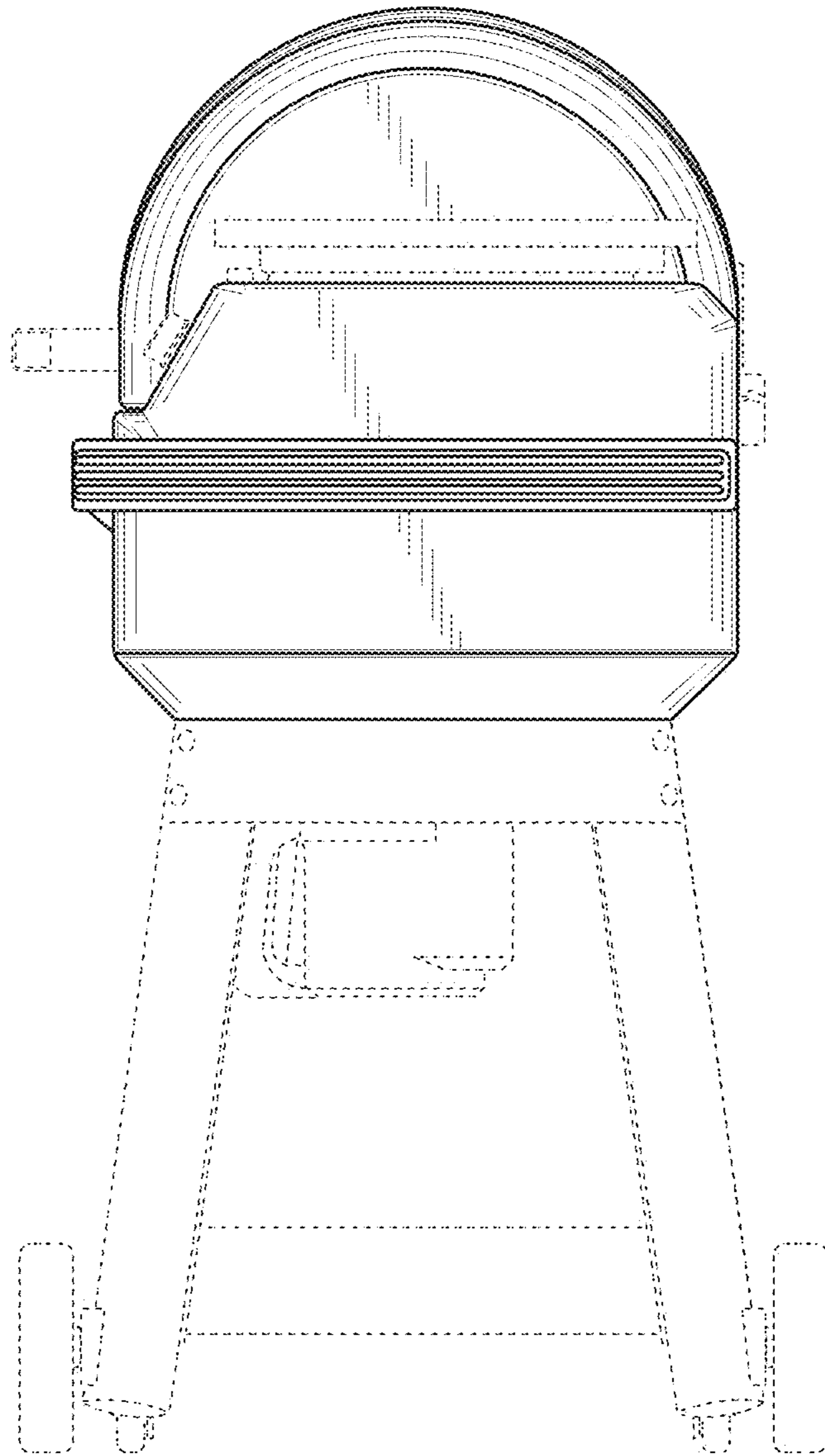


FIG. 5

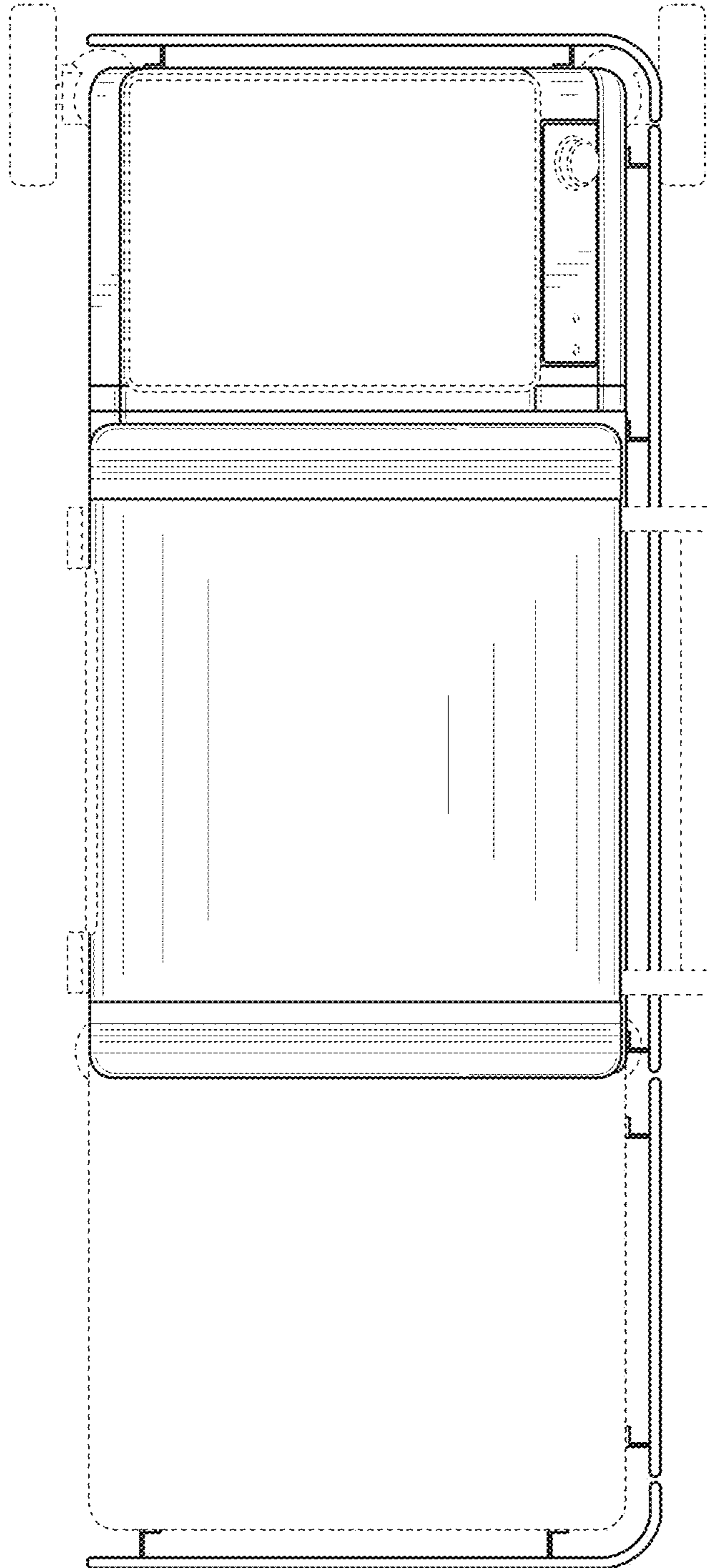


FIG. 6

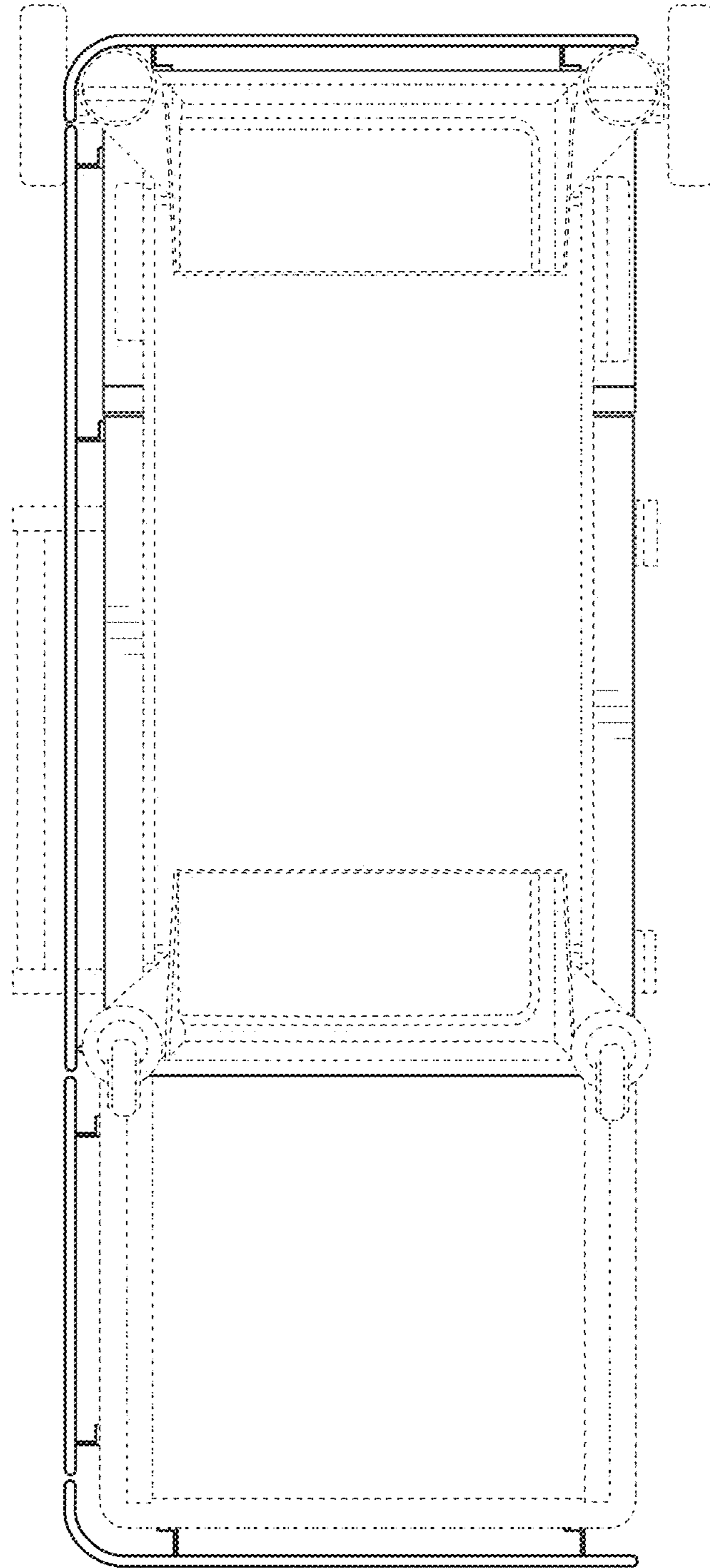


FIG. 7