



US00D947588S

(12) **United States Design Patent**
Steiner et al.

(10) **Patent No.:** **US D947,588 S**
(45) **Date of Patent:** **** Apr. 5, 2022**

(54) **TOASTER**

(71) Applicant: **Hamilton Beach Brands, Inc.**, Glen Allen, VA (US)

(72) Inventors: **Mark C Steiner**, Midlothian, VA (US);
Scott Henderson, Brooklyn, NY (US)

(73) Assignee: **Hamilton Beach Brands, Inc.**, Glen Allen, VA (US)

(**) Term: **15 Years**

(21) Appl. No.: **29/652,041**

(22) Filed: **Apr. 21, 2020**

(51) **LOC (13) Cl.** **07-02**

(52) **U.S. Cl.**
USPC **D7/330**

(58) **Field of Classification Search**
USPC D7/328, 329, 330, 331, 339, 340, 341,
D7/342, 343, 344, 345, 346, 347, 348,
D7/349, 351, 352, 390, 402, 405, 406;
D21/523, 524
CPC A47J 37/08; A47J 37/0807; A47J 37/0814;
A47J 37/0821; A47J 37/0828; A47J
37/0835; A47J 37/0842; A47J 37/085;
A47J 37/0857; A47J 37/0864; A47J
37/0871; A47J 37/0878; A47J 37/0885;
A47J 37/0892; A47J 37/0611; A47J
37/0623; A47J 37/0629; A47J 37/00;
A47J 37/04; A47J 37/06; A21B 1/00;
A21B 1/52; A21B 5/00; F24C 15/02;
F24C 15/04; F24C 15/10

See application file for complete search history.

(56) **References Cited**

U.S. PATENT DOCUMENTS

2,257,906 A * 10/1941 Gough A47J 37/0821
99/327
D557,061 S * 12/2007 Genslak D7/330

D635,390 S * 4/2011 Duncan D7/330
D661,942 S * 6/2012 Palermo D7/330
D688,508 S * 8/2013 Garman D7/330
D724,885 S * 3/2015 Kunz D7/330
D749,349 S * 2/2016 Carlson D7/330

(Continued)

FOREIGN PATENT DOCUMENTS

CN 305319982 * 8/2019
CN 305528541 * 1/2020

(Continued)

OTHER PUBLICATIONS

Expert-Toast™ 2 Slice Toaster, announced © 2021 [online], retrieved Jul. 13, 2021, retrieved from internet, <https://hamiltonbeach.com/expert-toast-2-slice-toaster-with-longer-6in-slots-22994>.*

(Continued)

Primary Examiner — Dana K Weiland
Assistant Examiner — Messina L Smith

(74) *Attorney, Agent, or Firm* — Alexander D. Raring

(57) **CLAIM**

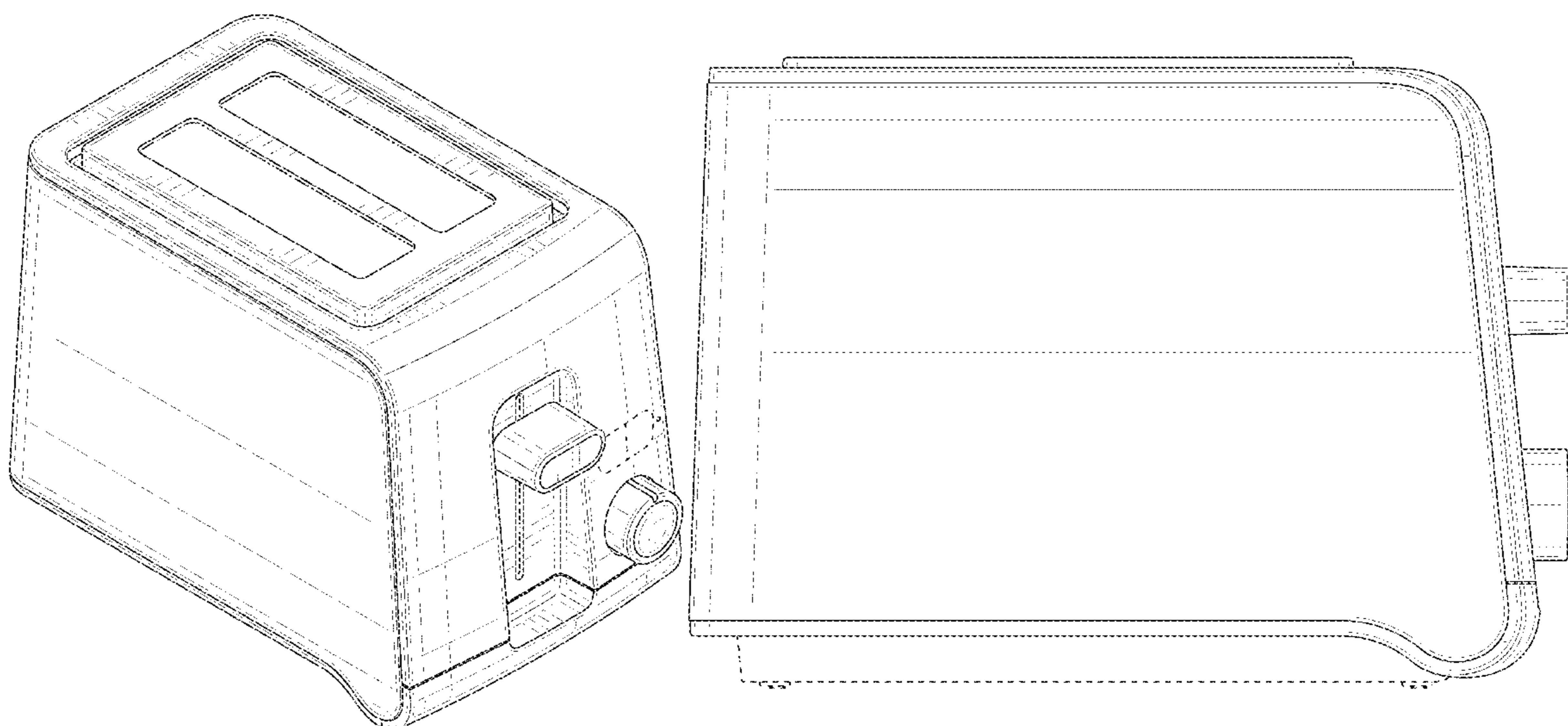
The ornamental design for a toaster, as shown and described.

DESCRIPTION

FIG. 1 is a perspective view as seen from the top, front and left side of a toaster showing the new design;
FIG. 2 is a left side view thereof;
FIG. 3 is a right side view thereof;
FIG. 4 is a rear view thereof;
FIG. 5 is a front view thereof;
FIG. 6 is a top view thereof; and,
FIG. 7 is a bottom view thereof.

The dash-dot broken lines shown in FIGS. 1, 5, and 6 depict the boundary of the claim and forms no part of the claimed design. All other broken lines depict portions of the toaster that form no part of the claimed design.

1 Claim, 7 Drawing Sheets



(56)

References Cited

U.S. PATENT DOCUMENTS

D758,780	S	*	6/2016	Affatato	D7/330
D759,418	S	*	6/2016	Affatato	D7/330
D765,456	S	*	9/2016	Lee	D7/330
D796,890	S	*	9/2017	De' Longhi	D7/330
D797,490	S	*	9/2017	Averty	D7/330
D809,327	S	*	2/2018	Chalk	D7/330
D823,631	S	*	7/2018	Gort-Barten	D7/330
D838,132	S	*	1/2019	Kowalewski	D7/330
D839,654	S	*	2/2019	Lin	D7/330
D843,768	S	*	3/2019	Miller	D7/330
D862,149	S	*	10/2019	Gordon	D7/330
D879,537	S	*	3/2020	Powell	D7/330
D886,505	S	*	6/2020	Thun	D7/330

FOREIGN PATENT DOCUMENTS

CN	306016925	*	8/2020
CN	306214395	*	12/2020
EM	008204952-0001	*	10/2020

OTHER PUBLICATIONS

Hamilton Beach 2-Slice Toaster, announced Nov. 2020 [online], retrieved Jul. 13, 2021, retrieved from internet, https://www.target.com/p/hamilton-beach-2-slice-toaster-black/-/A-79910197?ref=tgt_adv_XS000000&AFID=google_pla_df&fndsrc=tgtao&DFA=71700000012806756&CPNG=PLA_Appliances%2BShopping_Local%7CAppliances_Ecomm_Home&adgroup=SC_Appliances&LID=700000001170770pgs&LNM=PRODUCT_GROUP&network=g&device=c&location=1027019&targetid=pla-1019336761894&ds_rl=1246978&ds_rl=1248099&ds_rl=1247068&gclid=CjwKCAjw87SHBhBiEiwAukSeUYLWiCaA3FCkuvB2WIVnFPRcGegvUZ3cA6BbVW7fvYnTseZbRlqpXhoC-i8QAvD_BwE&gclsrc=aw.ds.*

Chefman 2 Slice Toaster, announced © 2021 [online], retrieved Jul. 13, 2021, retrieved from internet, <https://chefman.com/product/2-slice-stainless-steel-toaster/>.*

Select Brands Star Wars 2-Slice Toaster, announced © 2021 [online], retrieved Jul. 13, 2021, retrieved from internet, https://www.payless.com/p/select-brands-star-wars-2-slice-toaster-black-white/0065577201561.*

* cited by examiner

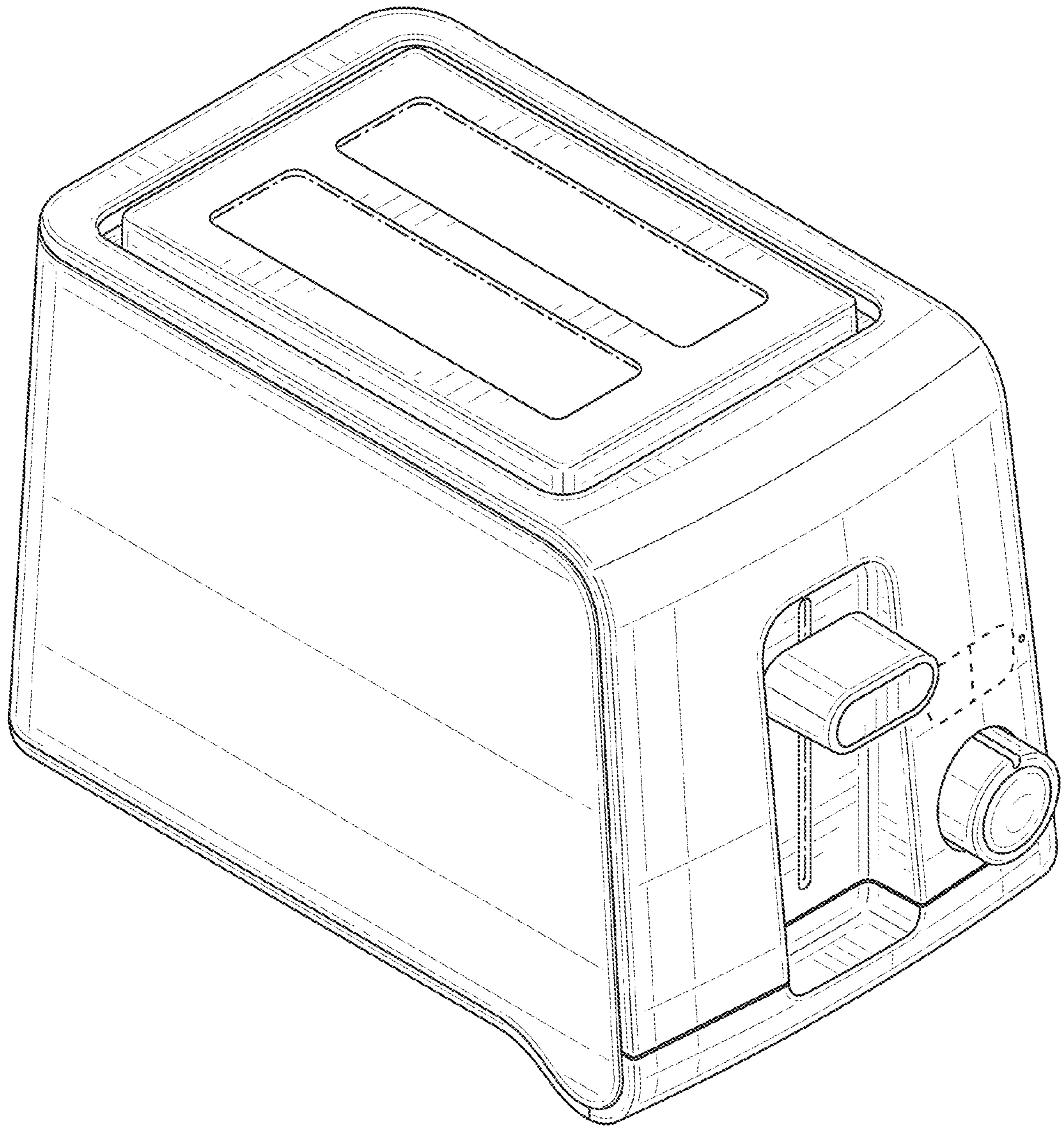


FIG. 1

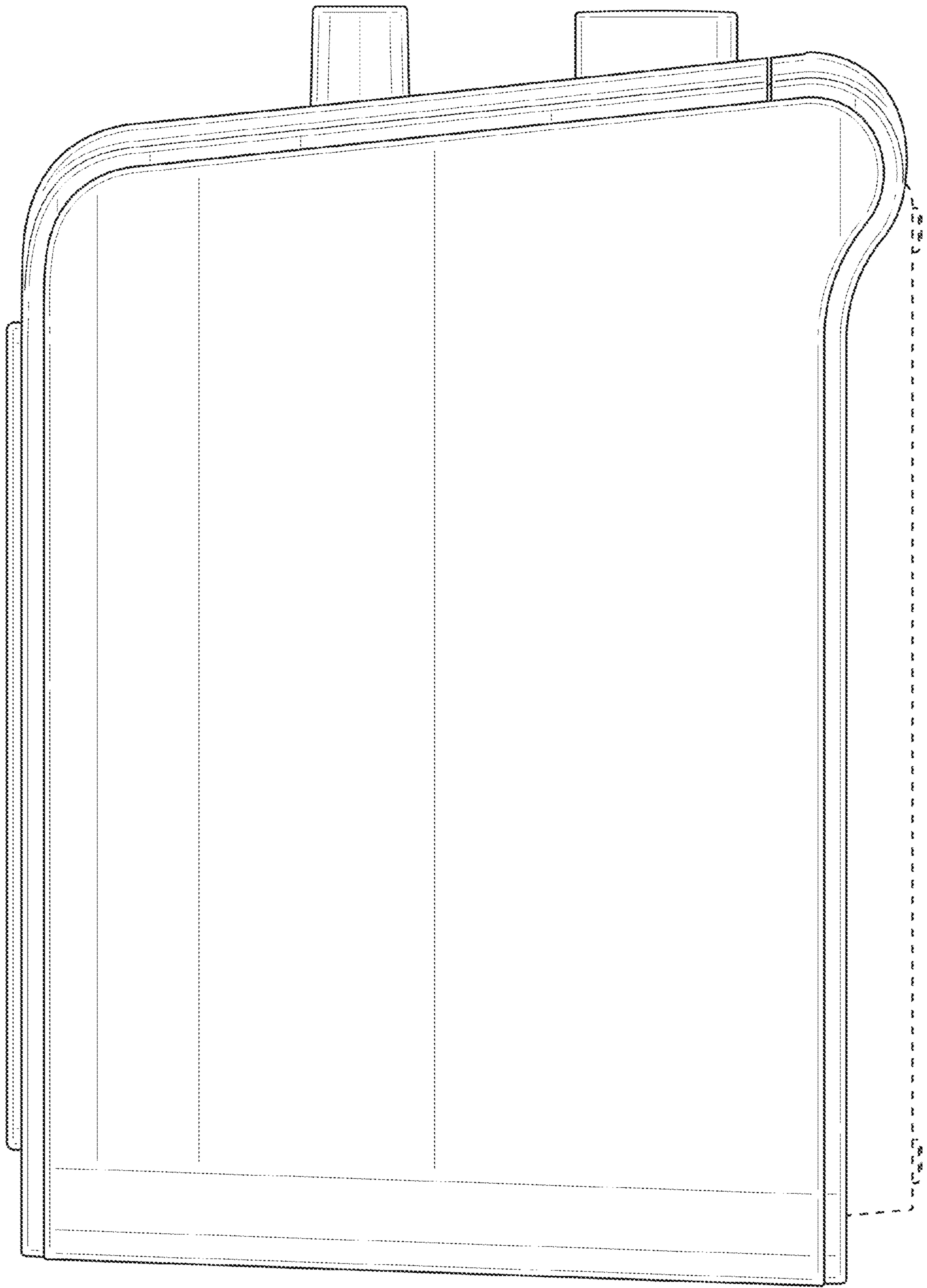


FIG. 2

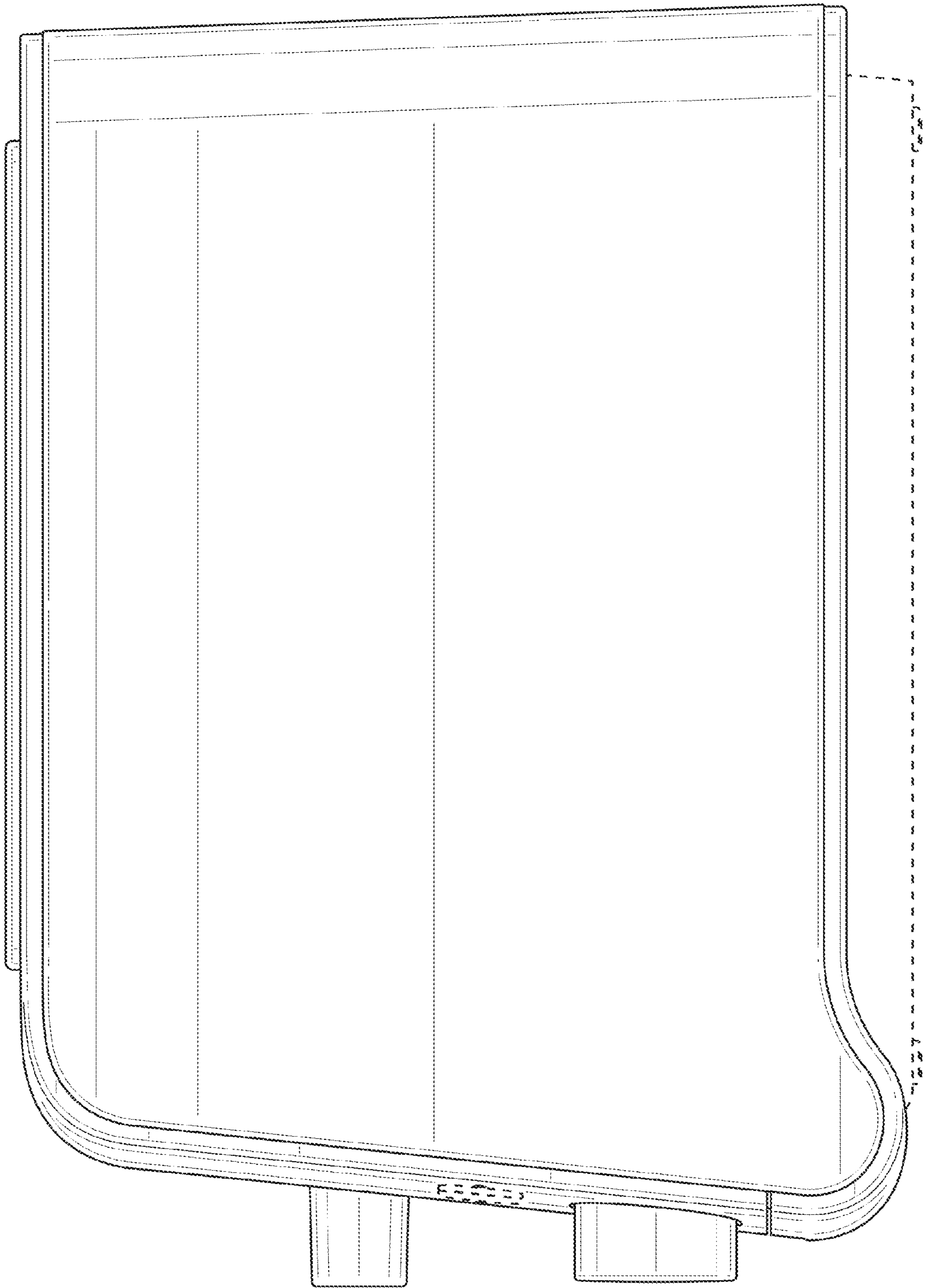


FIG. 3

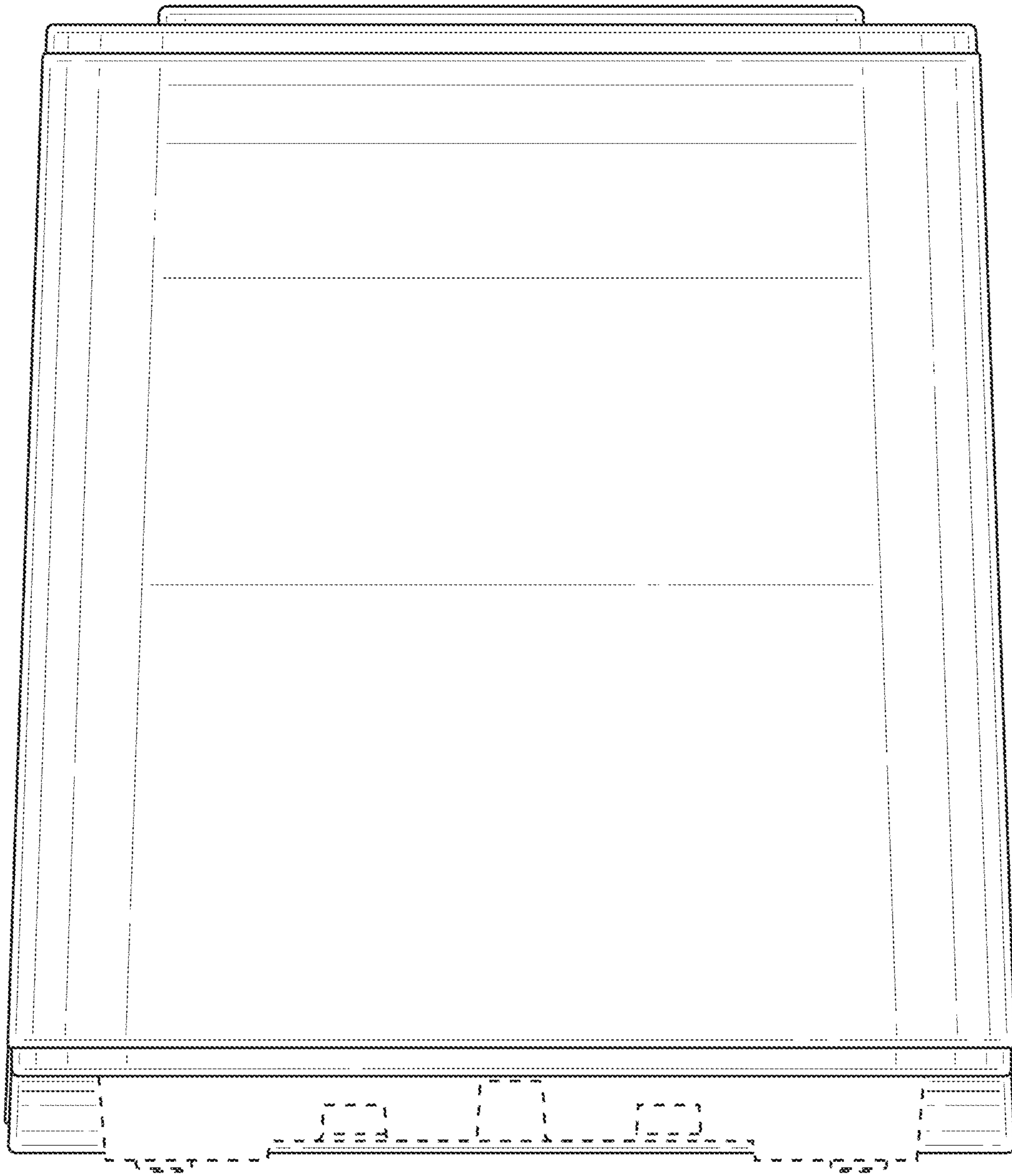


FIG. 4

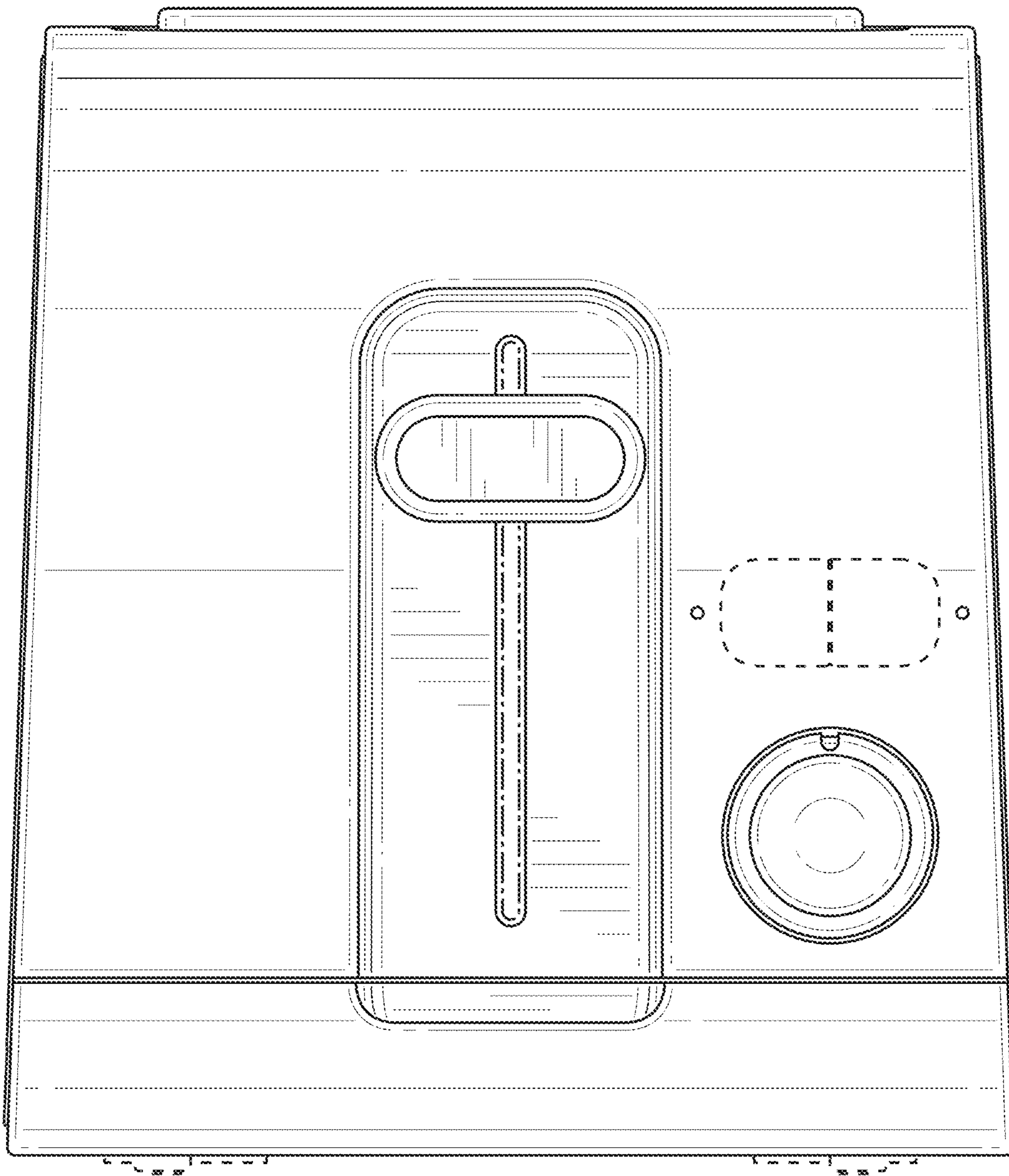


FIG. 5

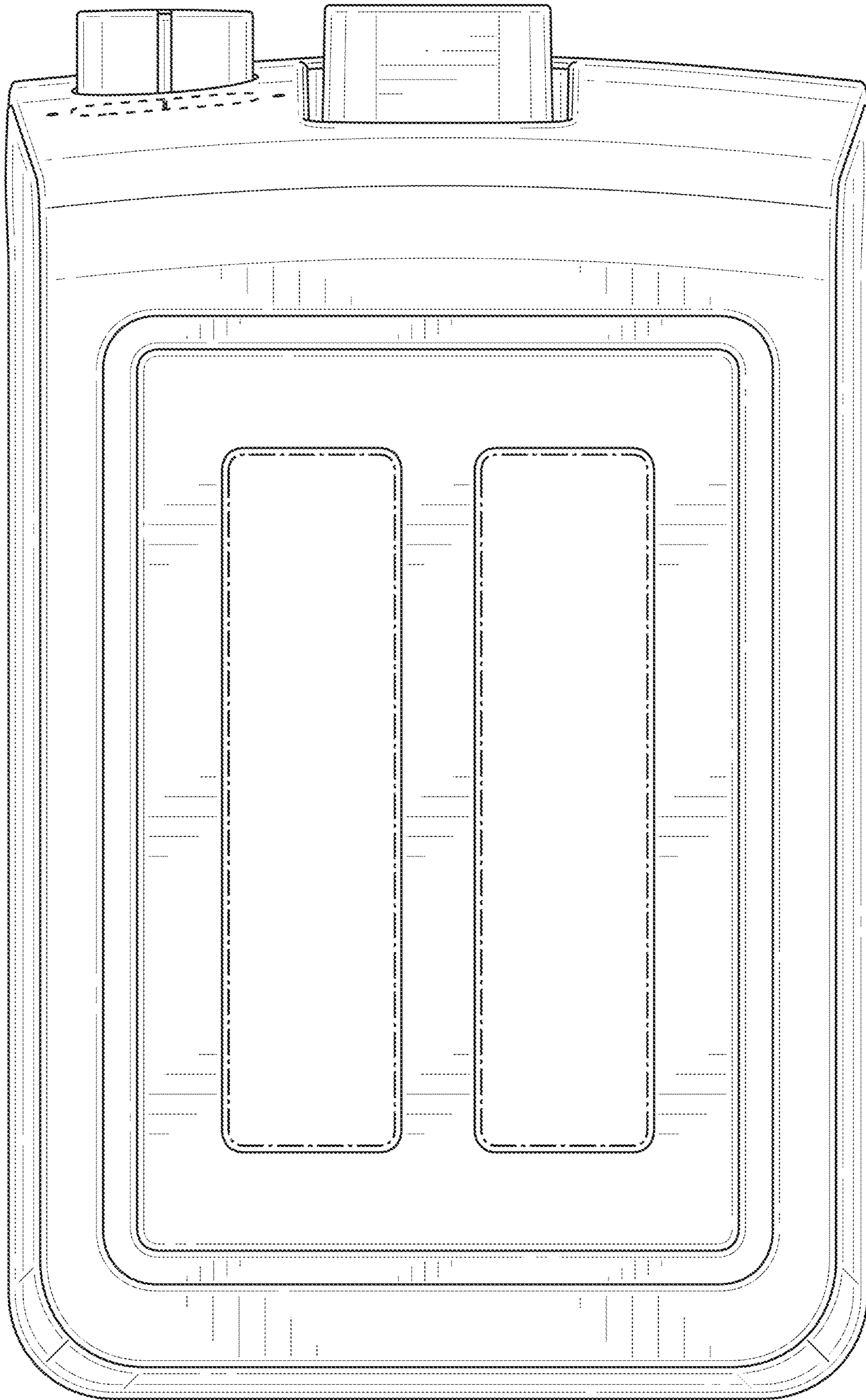


FIG. 6

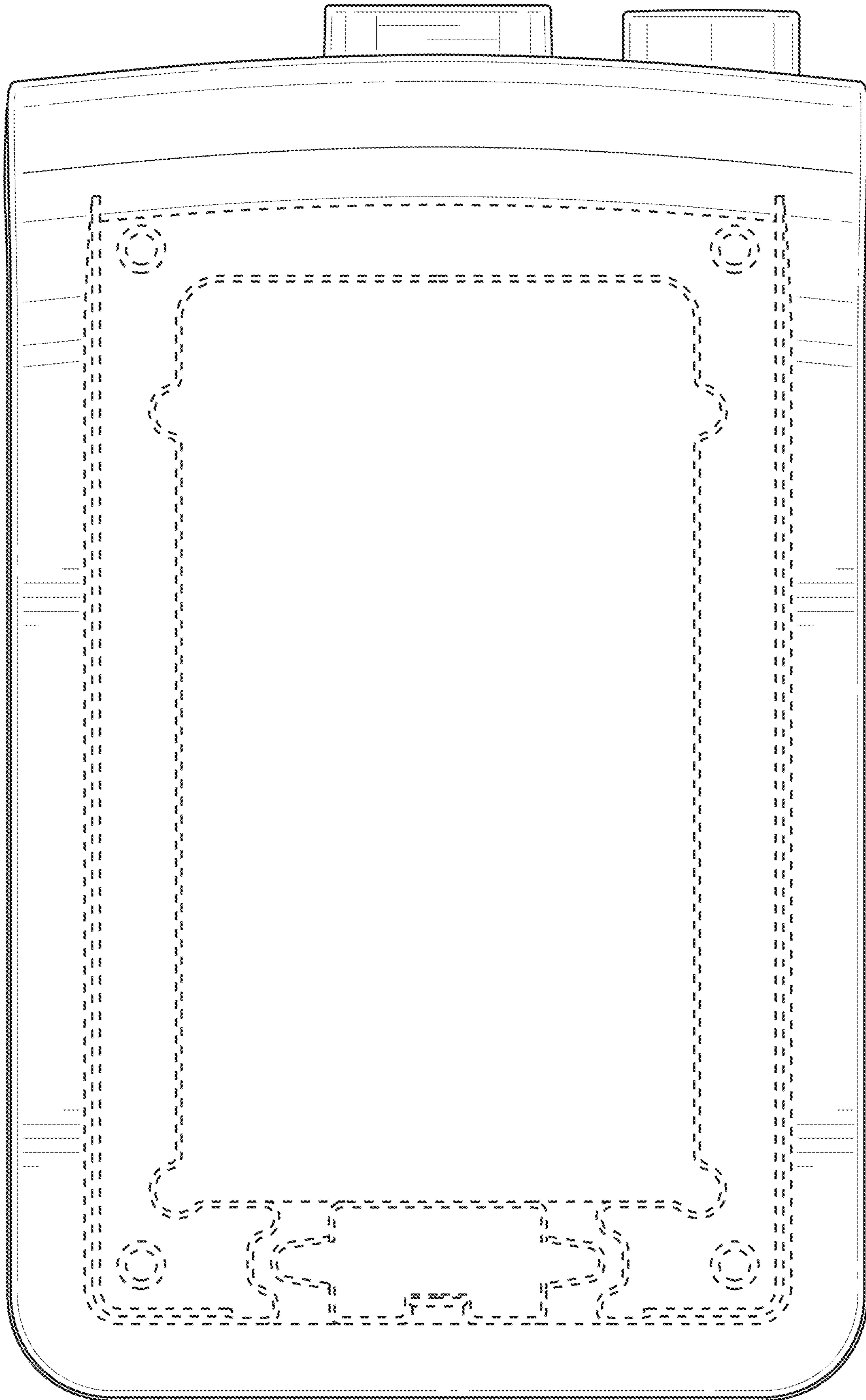


FIG. 7