



US00D947587S

(12) **United States Design Patent**
Peng

(10) **Patent No.:** **US D947,587 S**
(45) **Date of Patent:** **** Apr. 5, 2022**

- (54) **WATER DISPENSER**
- (71) Applicant: **OLANSI HEALTHCARE CO., LTD,**
Guangzhou (CN)
- (72) Inventor: **Wei Peng,** Yichun (CN)
- (73) Assignee: **OLANSI HEALTHCARE CO., LTD,**
Guangzhou (CN)
- (**) Term: **15 Years**
- (21) Appl. No.: **29/739,113**
- (22) Filed: **Jun. 23, 2020**
- (51) **LOC (13) Cl.** **07-02**
- (52) **U.S. Cl.**
USPC **D7/306; D7/311**
- (58) **Field of Classification Search**
USPC D7/300, 305–313, 397–399; D15/82;
D30/121, 129, 132
CPC A47J 19/00; A47J 19/02; A47J 19/023;
A47J 19/027; A47J 19/06; A47J 27/06;
A47J 31/00; A47J 31/005; A47J 31/0576;
A47J 31/0657; A47J 31/0668; A47J
31/10; A47J 31/24; A47J 31/3633; A47J
31/40; A47J 31/44; A47J 31/4403; A47J
31/4485; A47J 31/46; A47J 31/467; A47J
31/50; B01D 35/02; B67D 1/0021; B67D
1/0022; B67D 1/0023; B67D 1/0024;
B67D 1/0041; B67D 1/0047; B67D 1/07;
B67D 1/0085; B67D 1/0089; B67D 1/16;
B67D 2001/0087; B67D 2001/0091;
B67D 3/00; C02F 1/003; C02F 2209/445;
C12G 3/06
See application file for complete search history.

(56) **References Cited**
U.S. PATENT DOCUMENTS

D595,991 S	*	7/2009	Zimmerman	D7/307
D666,451 S	*	9/2012	Cheng	D7/309
D695,054 S	*	12/2013	De Pra	D7/309
D697,356 S	*	1/2014	Choi	D7/305
D717,091 S	*	11/2014	Suzuki	D7/309

D718,413 S	*	11/2014	Choi	D23/207
D718,414 S	*	11/2014	Lo	D23/207
D719,393 S	*	12/2014	De Pra	D7/309
D732,331 S	*	6/2015	Tomasson	D7/306
D764,014 S	*	8/2016	Lin	D23/207

(Continued)

FOREIGN PATENT DOCUMENTS

CN	301817121	*	1/2012
CN	302968962	*	10/2014
CN	304870773	*	10/2018
CN	305001839	*	1/2019
CN	305628709	*	2/2020

(Continued)

OTHER PUBLICATIONS

Espressotoria, "Espressotoria Caprista White Espresso Coffee Pod Machine," Feb. 20, 2018, Walmart, www.walmart.com/ip/Espressotoria-Caprista-White-Espresso-Coffee-Pod-Machine/755827387 (Year: 2018).*

(Continued)

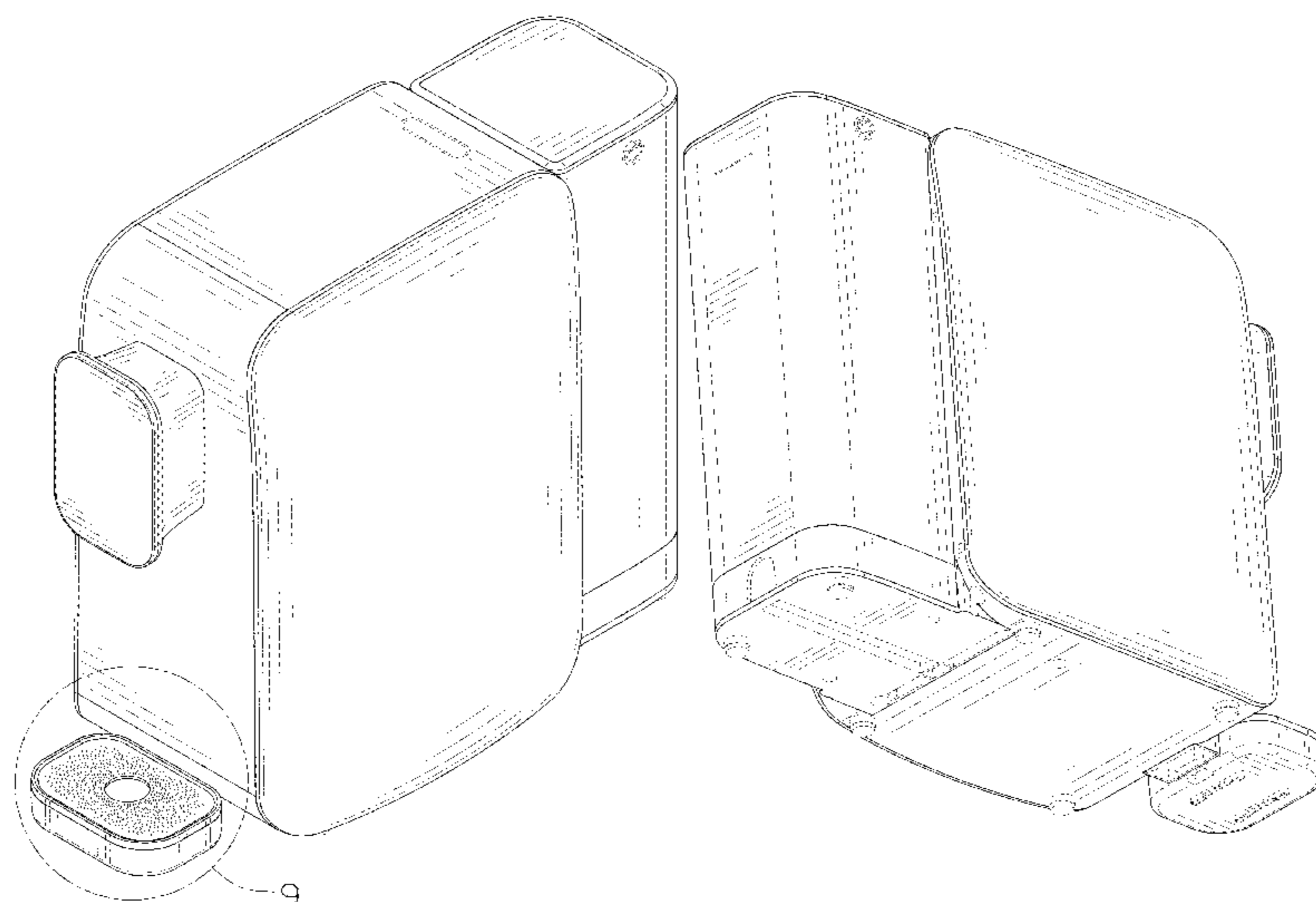
Primary Examiner — Shannon W Morgan
Assistant Examiner — Arva P Adams
(57) **CLAIM**

The ornamental design for a water dispenser, as shown and described.

DESCRIPTION

FIG. 1 is a perspective view of a water dispenser showing my new design;
FIG. 2 is another perspective view thereof;
FIG. 3 is a front elevational view thereof;
FIG. 4 is a rear elevational view thereof;
FIG. 5 is a left side elevational view thereof;
FIG. 6 is a right side elevational view thereof;
FIG. 7 is a top plan view thereof;
FIG. 8 is a bottom plan view thereof; and,
FIG. 9 is an enlarged view of portion 9 shown in FIG. 1.
The broken lines in the drawings depict portions of the water dispenser that form no part of the claimed design.

1 Claim, 9 Drawing Sheets



(56)

References Cited

U.S. PATENT DOCUMENTS

D774,820 S * 12/2016 Yang D7/306
D822,421 S * 7/2018 De Pra' D7/309
D842,966 S * 3/2019 Shin D23/207
D862,143 S * 10/2019 Stefanoni D7/309

FOREIGN PATENT DOCUMENTS

CN 305776433 * 5/2020
CN 305805512 * 5/2020
CN 305844571 * 6/2020
CN 306622013 * 6/2021

OTHER PUBLICATIONS

CRMService.eu, "Hydrogen-rich water dispenser," Sep. 28, 2019,
<https://services.crm-service.eu/raiminisite/?4N1ds0Dqbj>

baDMBCyMOTrgHp%2BwuEaaMX8vb9Npdkeu7geOPZBo
NS2ONRZG23a7tZZDIIo%2BYFVvbAqJc0IXD8zQ%3D%3D (Year:
2019).*

Avalon, "Avalon A9 Electric Touch Countertop Bottleless Cooler
Water Dispenser," Aug. 8, 2019, Amazon, [www.amazon.com/dp/
B08FVHJCPN](http://www.amazon.com/dp/B08FVHJCPN) (Year: 2019).*

Olansi Healthcare Co., Ltd, "#W12 RO water dispenser," Jul. 4,
2019, Facebook, [www.facebook.com/olansihealthcare/photos/
1042780075918738](http://www.facebook.com/olansihealthcare/photos/1042780075918738) (Year: 2019).*

Olansi Healthcare, "W12 3s rapid heating RO strontium water
dispenser," Aug. 12, 2019, YouTube, [www.youtube.com/watch?v=
NiCe5stzqCl&t=1s](http://www.youtube.com/watch?v=NiCe5stzqCl&t=1s) (Year: 2019).*

Cuisinart, "Cuisinart EM-15 Defined Espresso Machine," Feb. 1,
2020, Amazon, www.amazon.com/dp/B084F4DL5M (Year: 2020).*

Geekpure Water Group, "Geekpure 3-Stage Countertop Reverse
Osmosis Drinking Water Dispenser," Feb. 18, 2020, Amazon,
www.amazon.com/dp/B084FYNT2P (Year: 2020).*

* cited by examiner

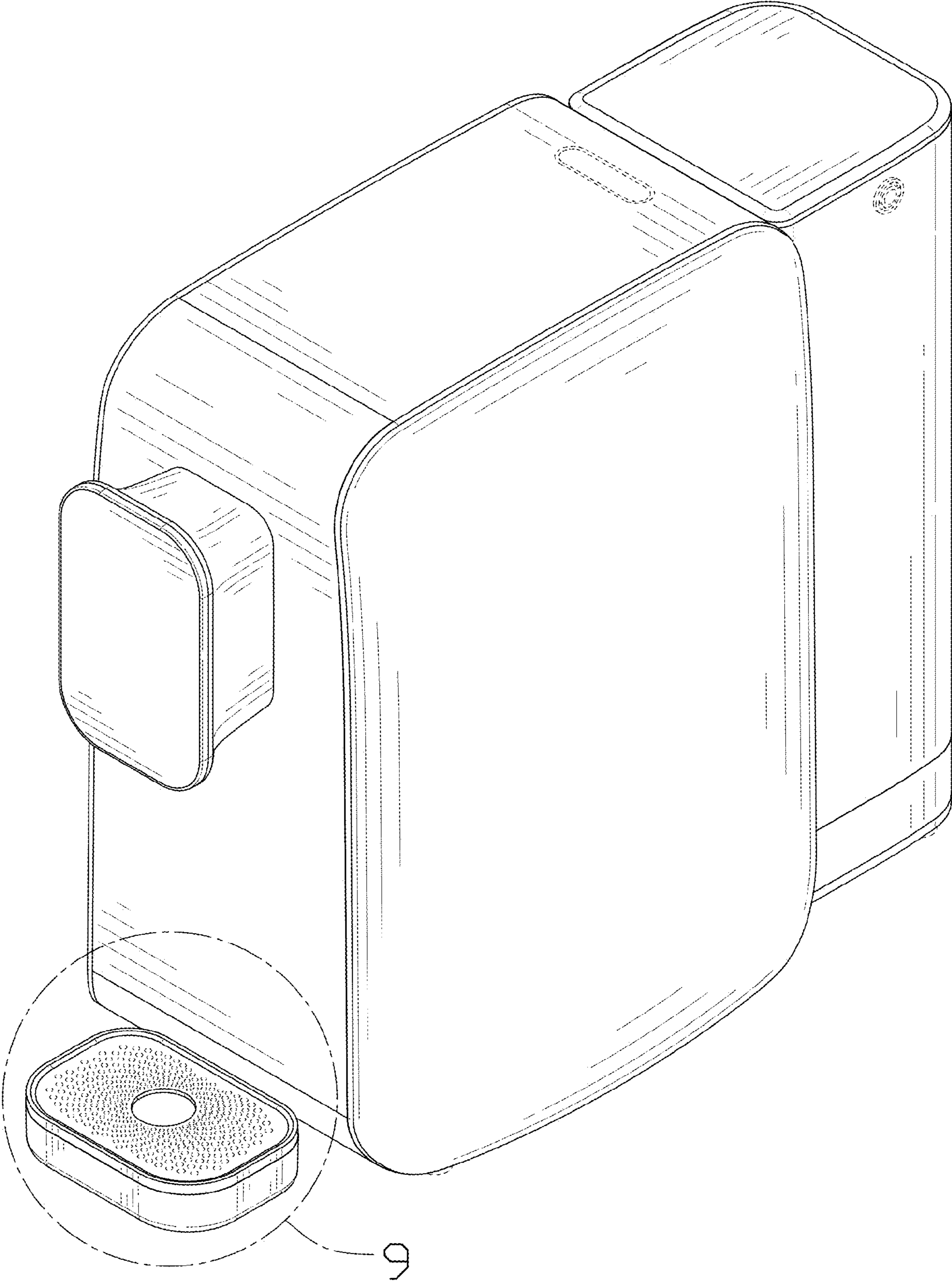


FIG. 1

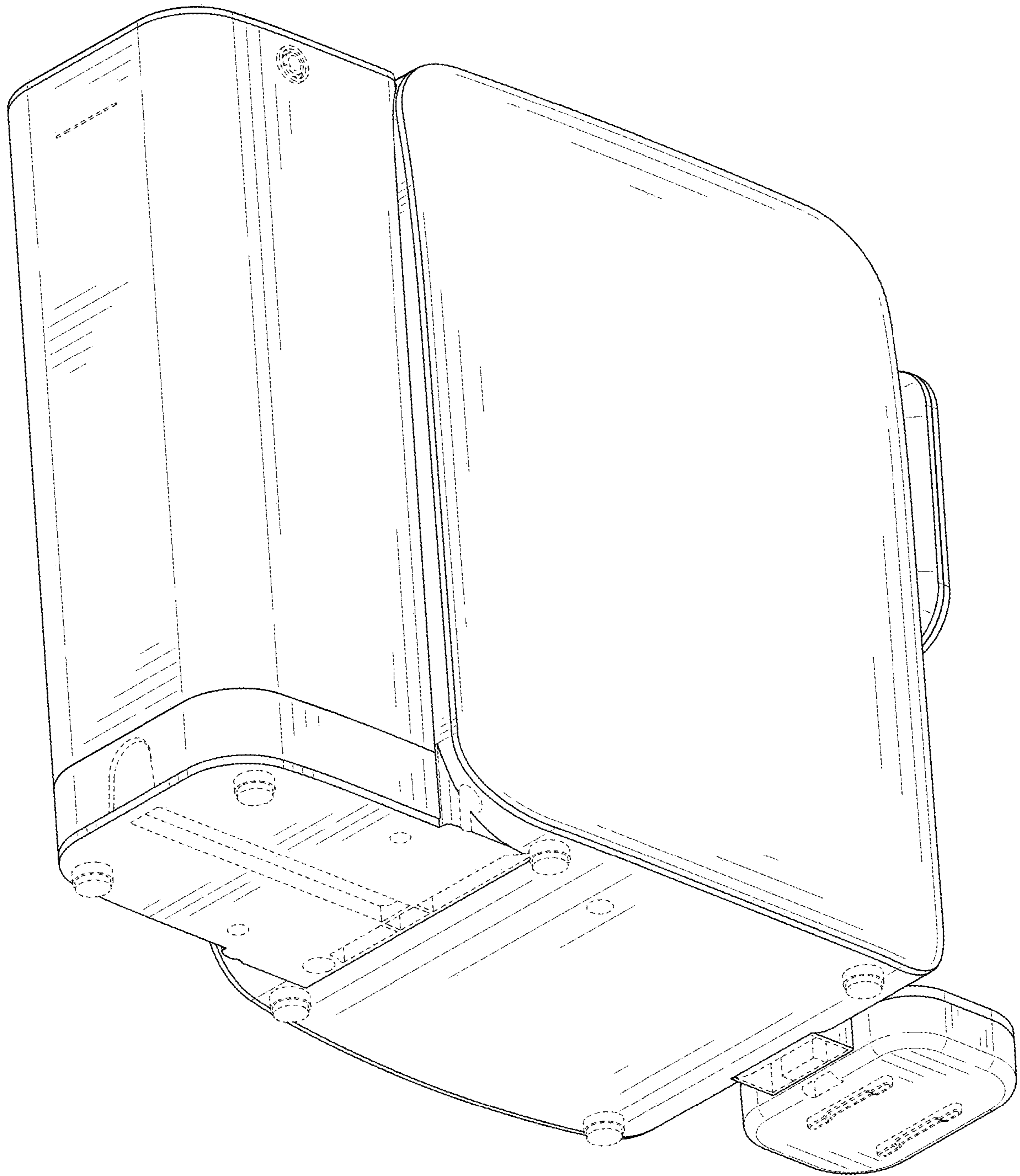


FIG. 2

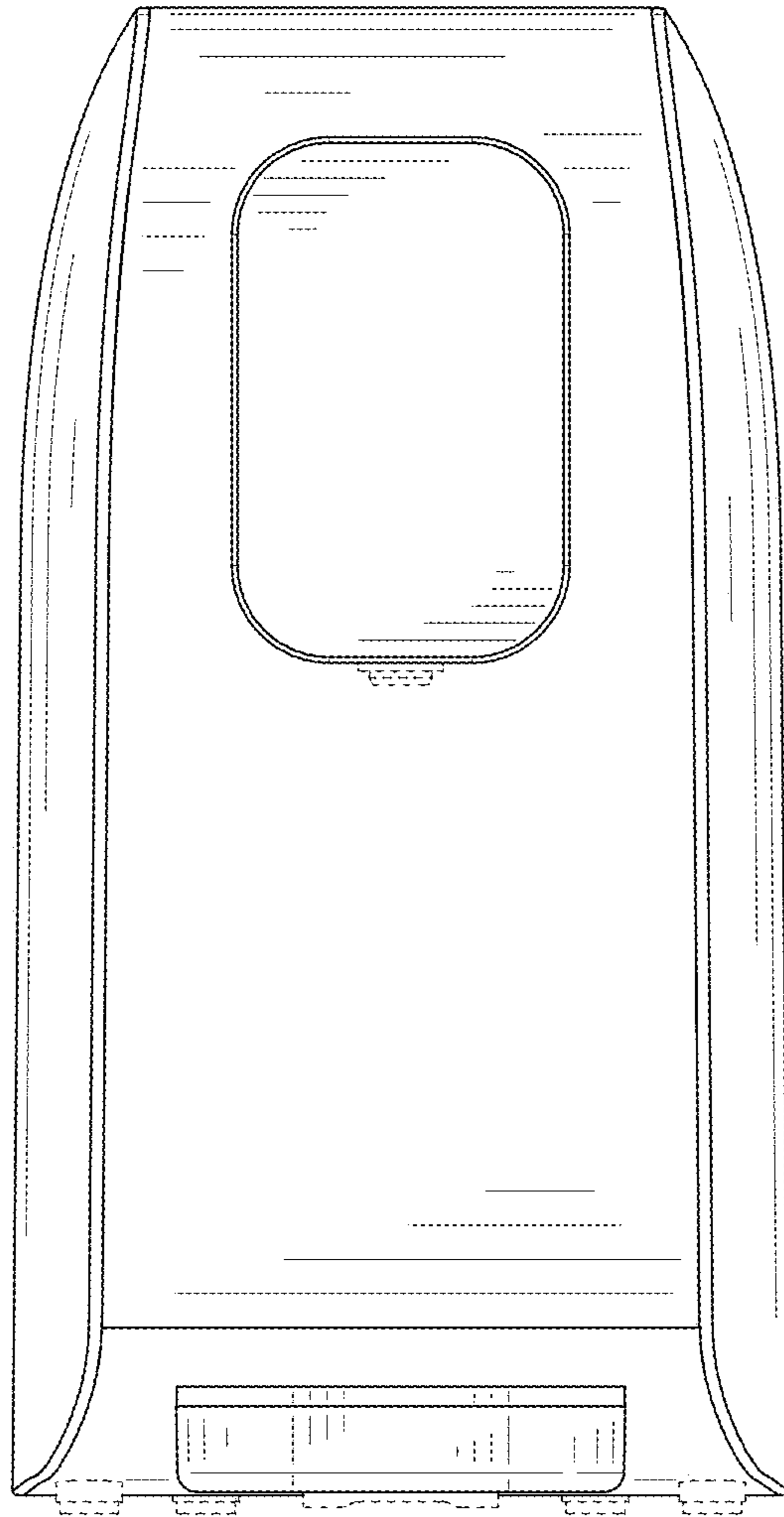


FIG. 3

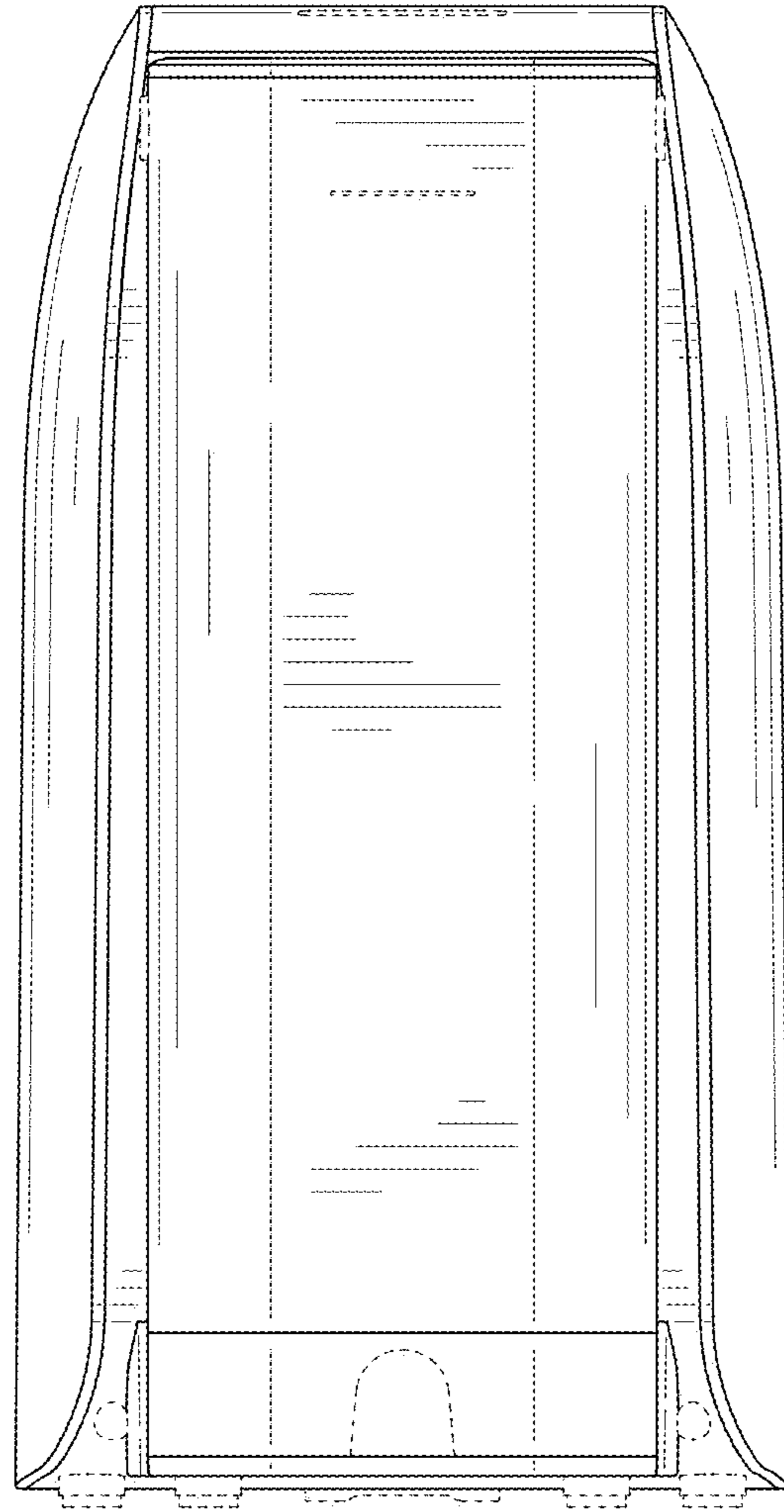


FIG. 4

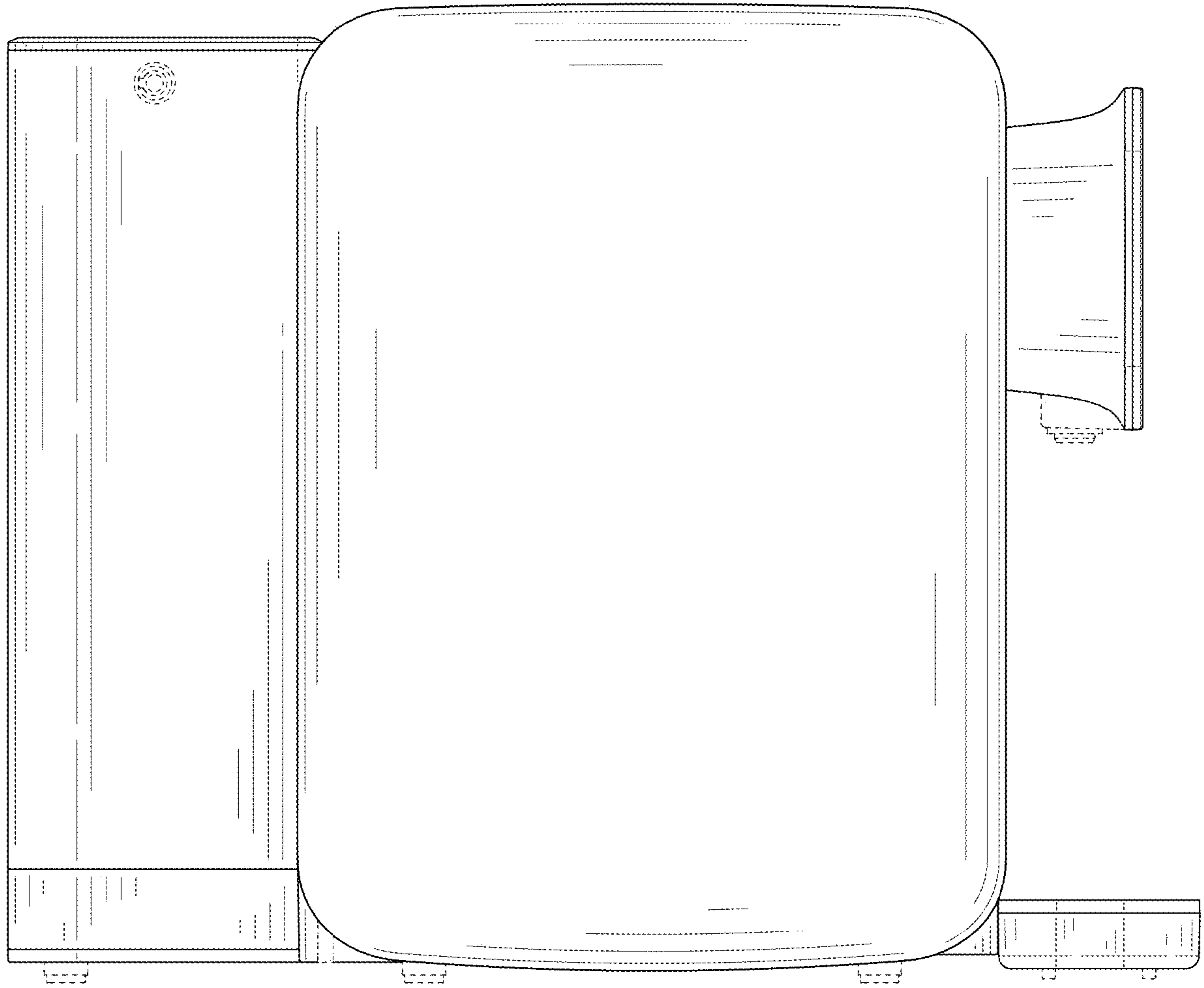


FIG. 5

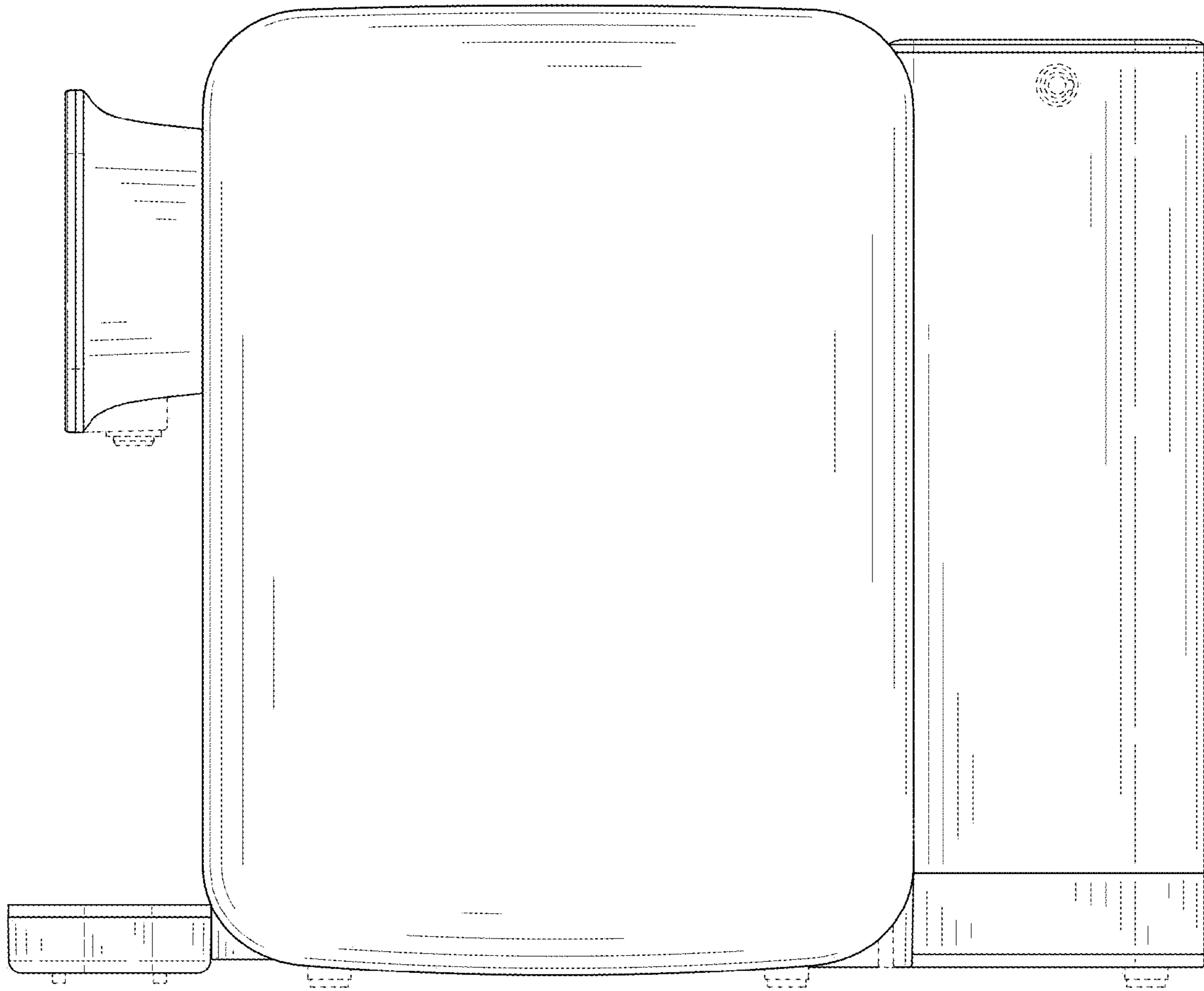


FIG. 6

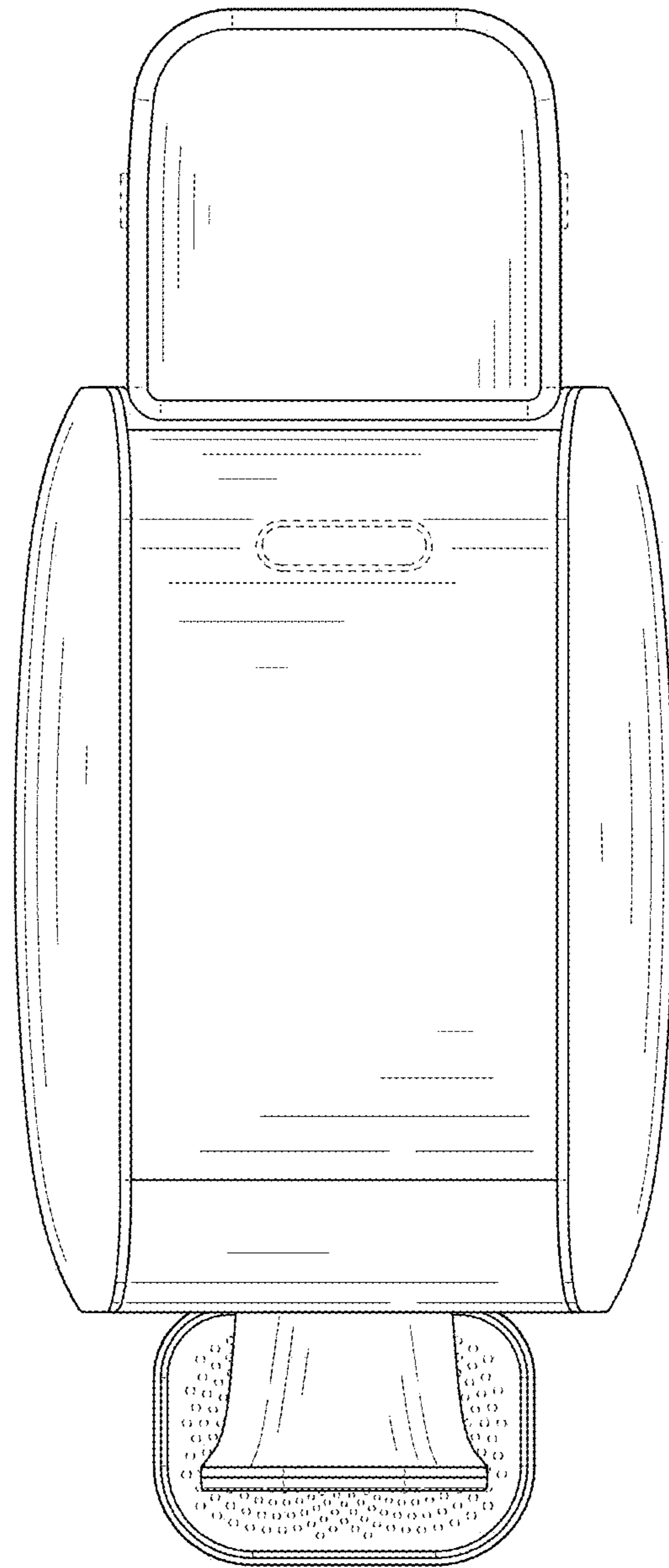


FIG. 7

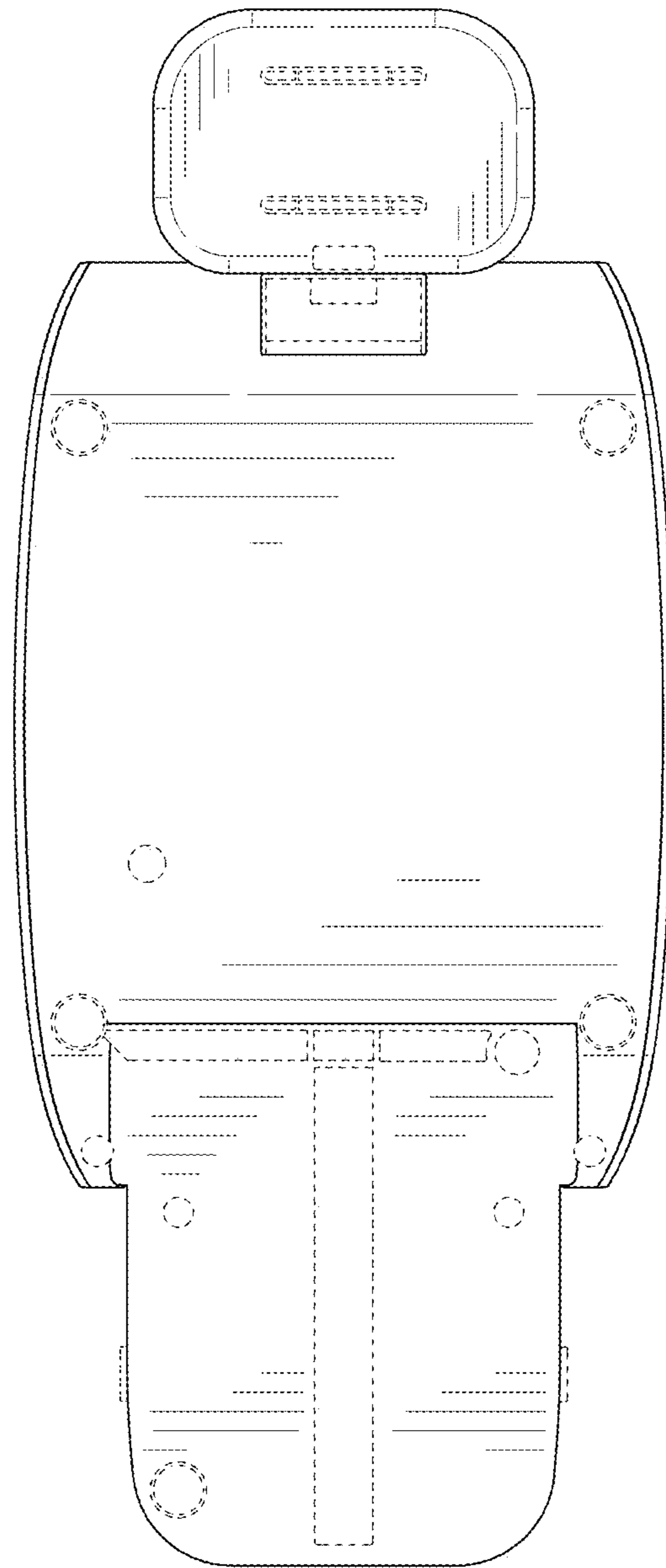


FIG. 8

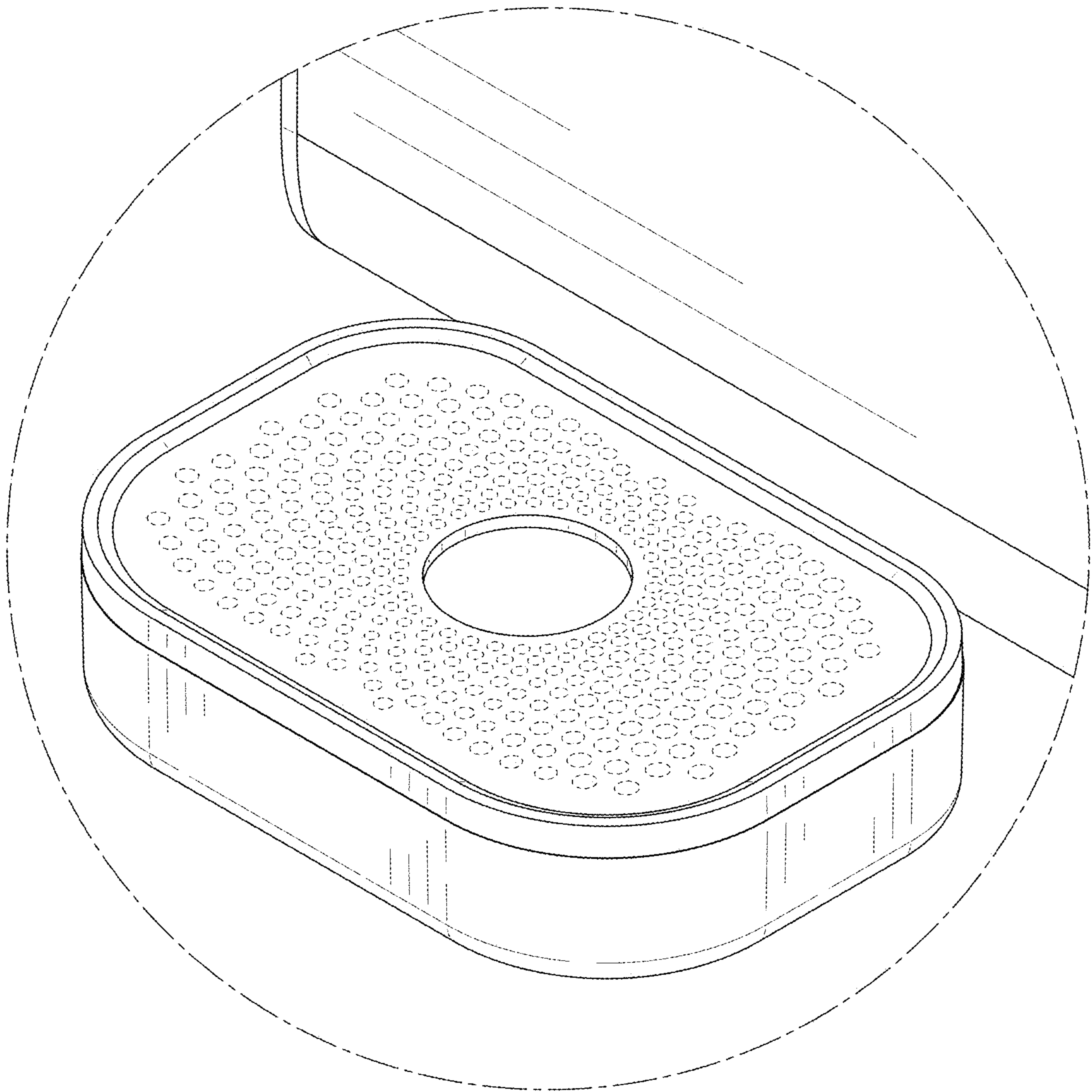


FIG. 9