



US00D947585S

(12) **United States Design Patent** (10) **Patent No.:** **US D947,585 S**  
**Bonatz** (45) **Date of Patent:** **\*\* Apr. 5, 2022**

(54) **MOBILE CARE BED**

OTHER PUBLICATIONS

(71) Applicant: **DISC-O-BED HOLDINGS LIMITED**,  
Limassol (CY)

Happybuy Lightweight Emergency Ambulance Stretcher—Amazon  
<https://www.amazon.com/Happybuy-Lightweight-Emergency-Ambulance-Adjustable/dp/B07MTZV7WQ> retrieved from the internet on Oct. 9, 2021.\*

(72) Inventor: **Richard Bonatz**, Alberton (ZA)

Model 1050 / General Duty Transport Stretcher—Gendron by gram-field  
<https://gendroninc.com/product/model-1050-general-duty-transport-stretcher/> retrieved from the internet on Oct. 9, 2021.\*

(\*\*) Term: **15 Years**

Stainless Steel Trolley Use for Hospital Transport Stretcher Bed—Made in China  
<https://powerhealth.en.made-in-china.com/product/WvKJAZaOnuRM/China-Stainless-Steel-Trolley-Use-for-Hospital-Transport-Stretcher-Bed.html> retrieved from the internet on Oct. 9, 2021.\*

(21) Appl. No.: **35/510,621**

(22) Filed: **Sep. 25, 2020**

Shower Transport Bed—Alco Sales and Service Co. <https://www.alcosales.com/products/005gst.asp> retrieved from the internet on Oct. 9, 2021.\*

(80) **Hague Agreement Data**

Int. Filing Date: **Sep. 25, 2020**

Int. Reg. No.: **DM/210735**

Int. Reg. Date: **Sep. 25, 2020**

Int. Reg. Pub. Date: **Oct. 23, 2020**

\* cited by examiner

(51) **LOC (13) Cl.** ..... **06-02**

*Primary Examiner* — Mary Ann Calabrese

(52) **U.S. Cl.**  
USPC ..... **D6/692; D12/132**

(57) **CLAIM**

(58) **Field of Classification Search**  
USPC ..... D6/382, 383, 391–392, 394, 395;  
D12/128, 132, 133

The ornamental design for a mobile care bed, as shown and described.

CPC ..... A47C 19/00; A47C 19/02; A47C 19/12;  
A47C 19/00122

**DESCRIPTION**

See application file for complete search history.

1. Mobile care bed

(56) **References Cited**

U.S. PATENT DOCUMENTS

D229,260 S \* 11/1973 Benoit ..... D6/392

D229,380 S \* 11/1973 Benoit ..... D6/392

D229,459 S \* 12/1973 Benoit ..... D6/392

D274,679 S \* 7/1984 Stehlik ..... D6/392

D498,712 S \* 11/2004 Jamison ..... D12/128

D553,382 S \* 10/2007 Hayes ..... A47C 19/02

D6/392

D923,885 S \* 6/2021 Smith ..... D30/118

2017/0035208 A1 \* 2/2017 Bonatz ..... A47C 19/028

2018/0103768 A1 \* 4/2018 Nava ..... A47C 19/02

**1.1** is a top perspective view of a mobile care bed with the reclining head in an elevated position of use;

**1.2** is a top perspective view thereof, with the reclining head in a non-elevated position of use;

**1.3** is a side view with the reclining head elevated;

**1.4** is a front view thereof;

**1.5** is a top view thereof;

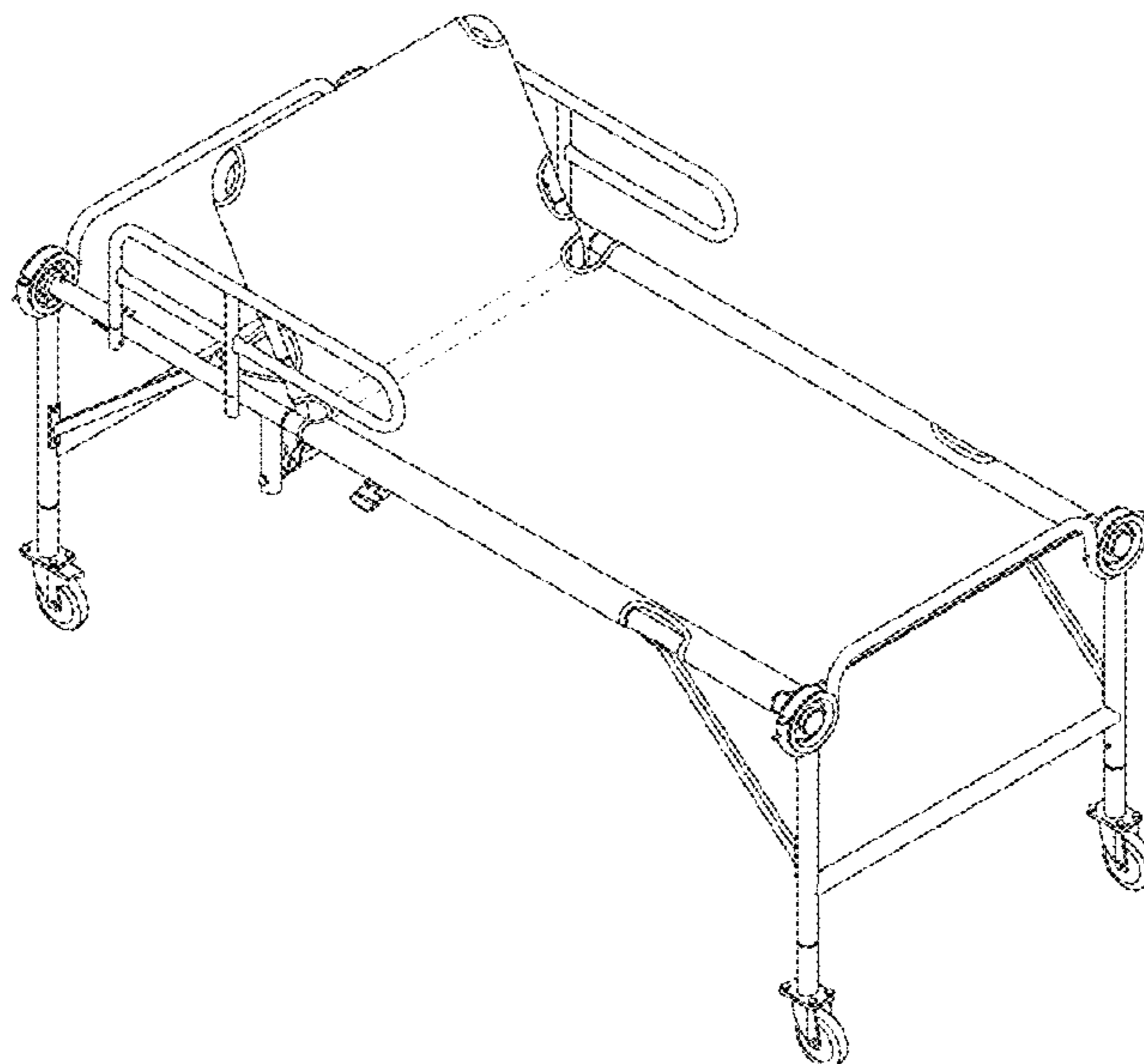
**1.6** is another side view thereof;

**1.7** is a rear view thereof;

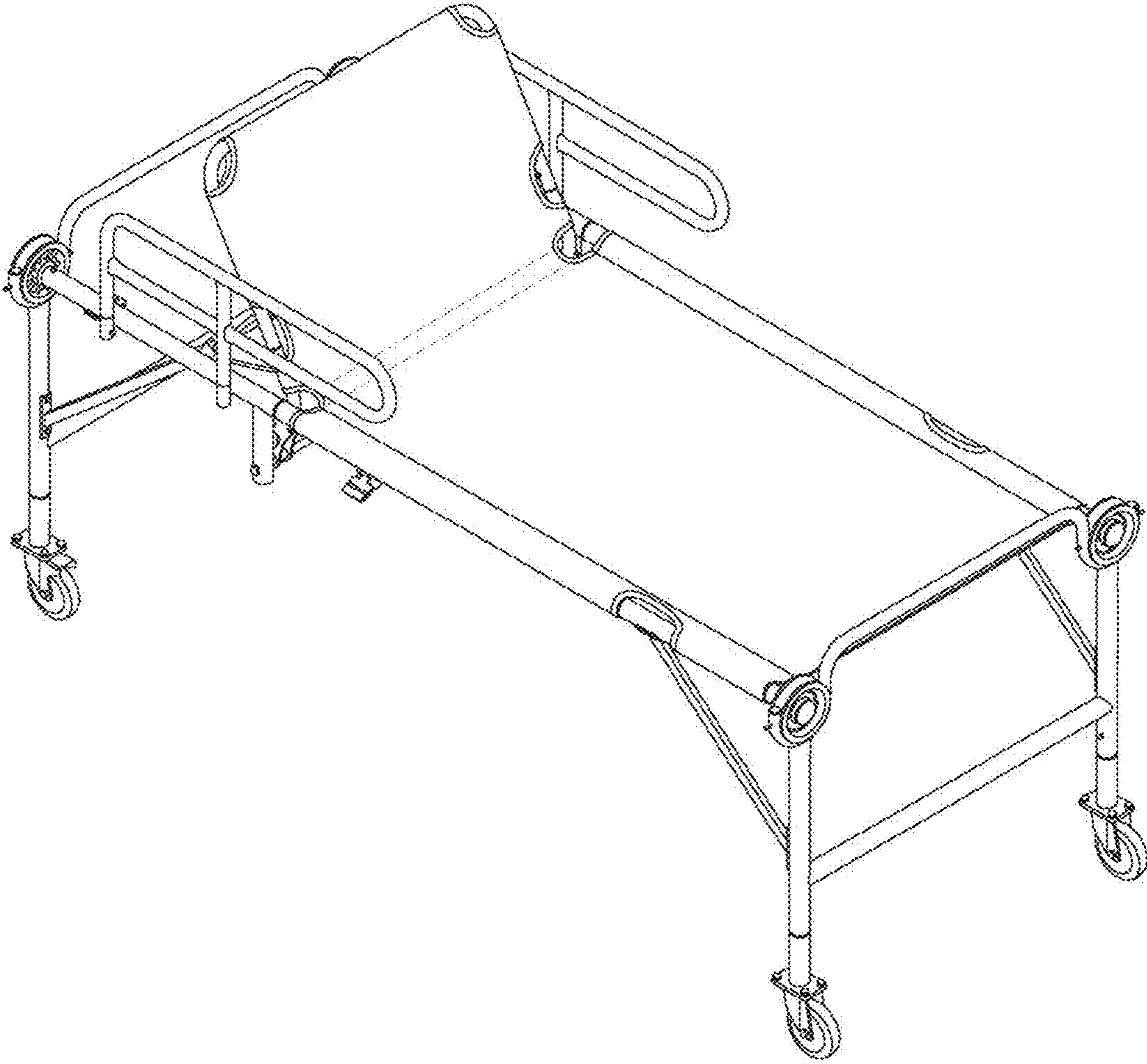
**1.8** is a bottom view thereof;

**1.9** is a bottom perspective view thereof.

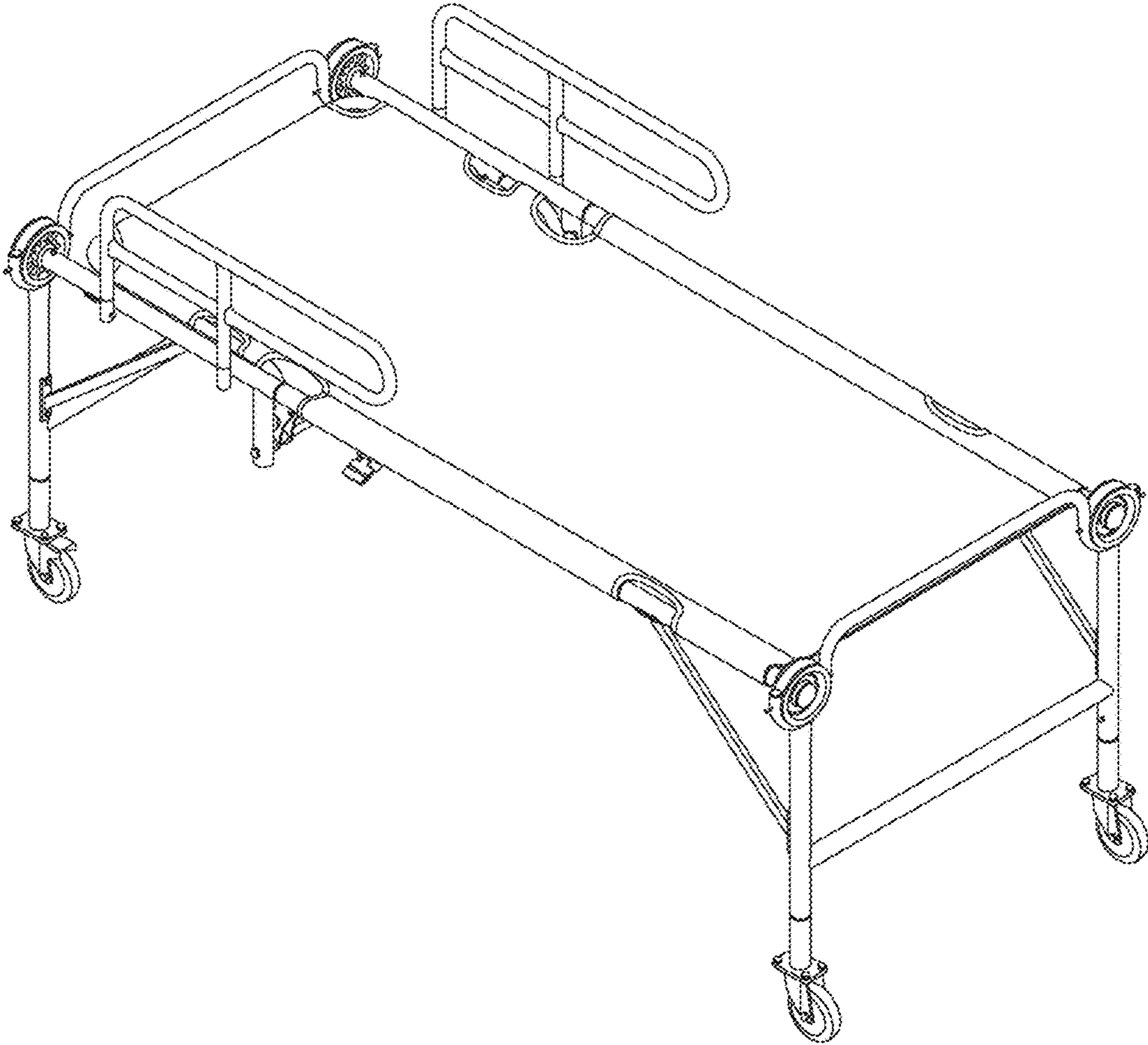
**1 Claim, 9 Drawing Sheets**



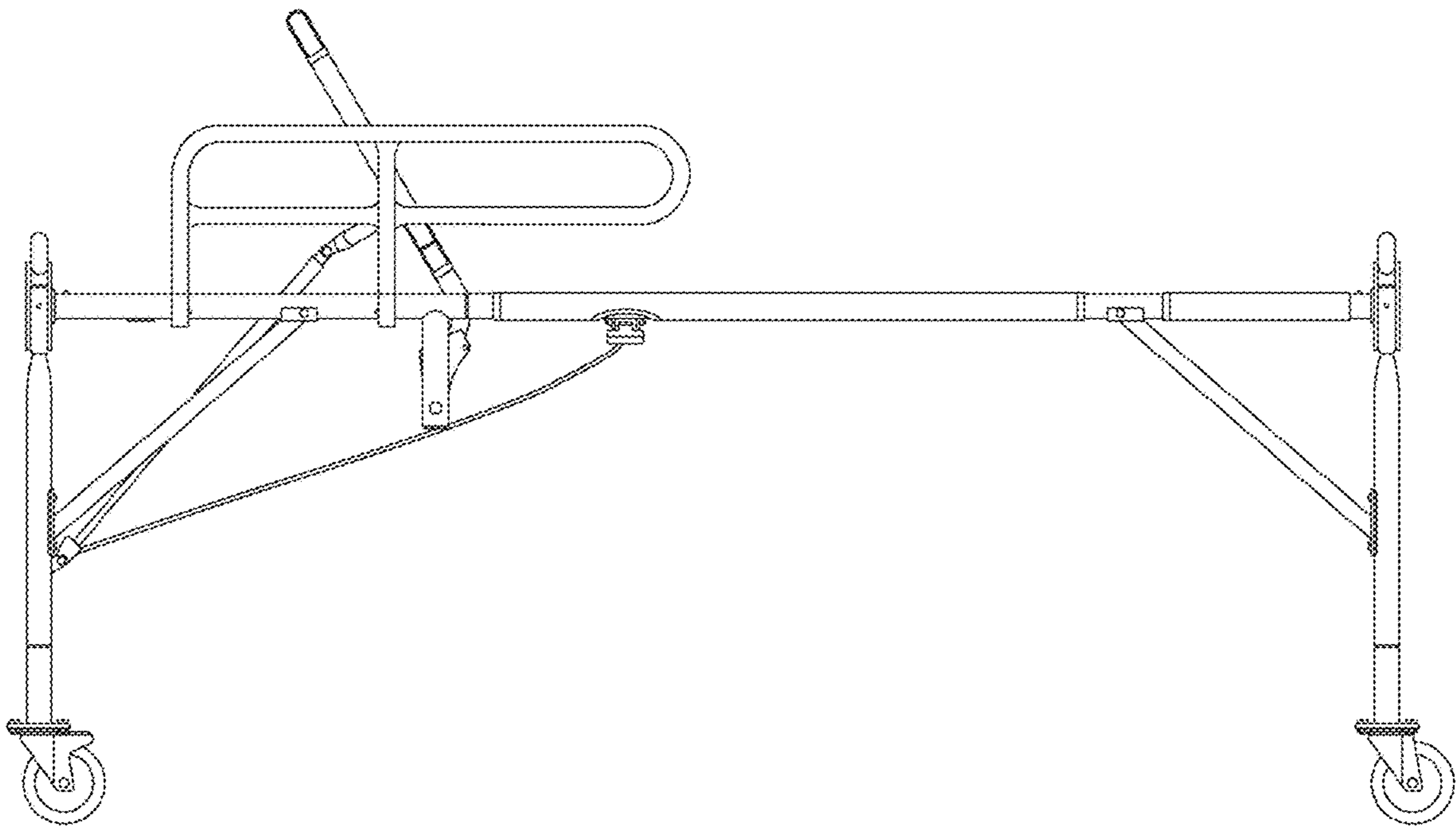
1.1



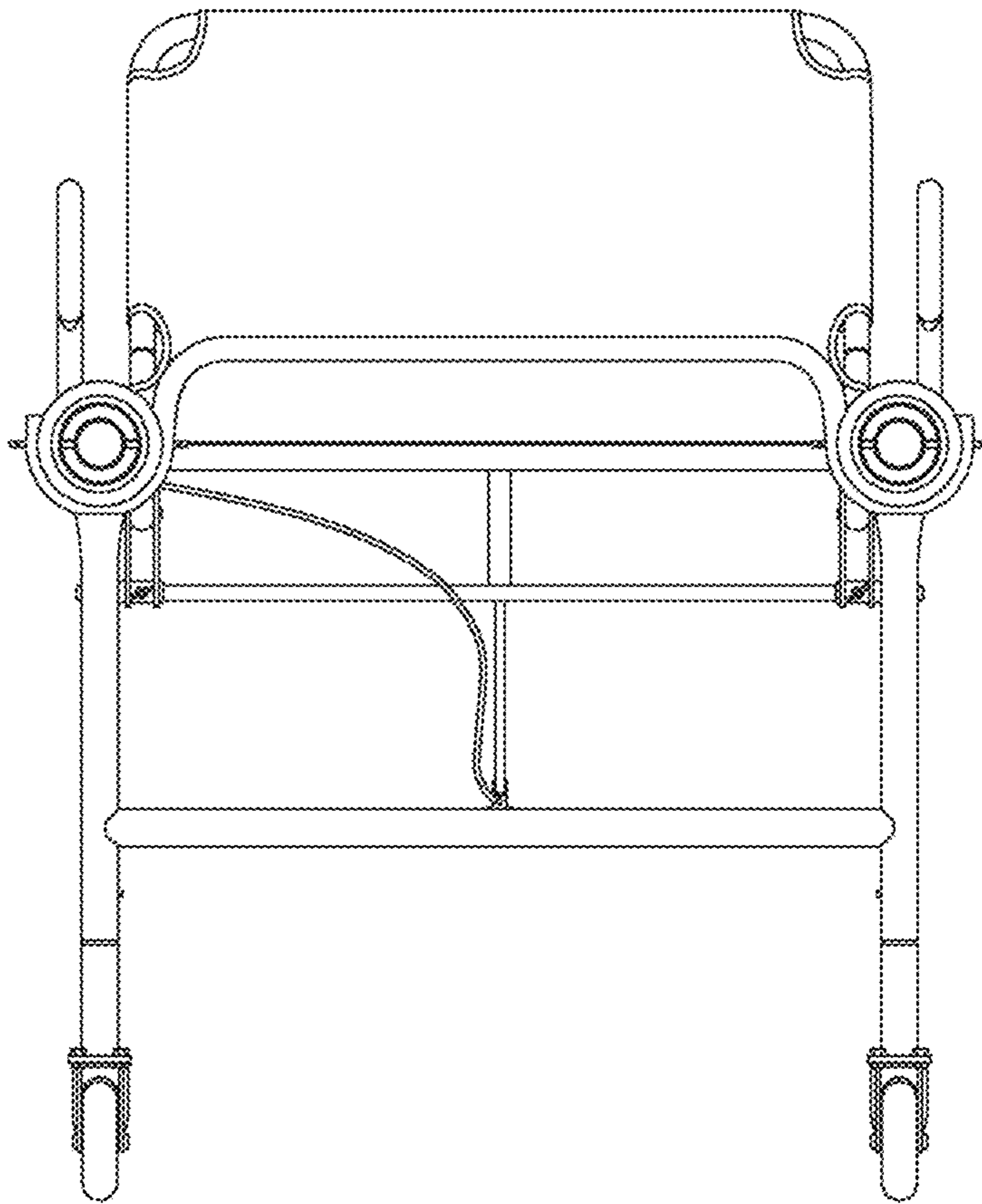
1.2



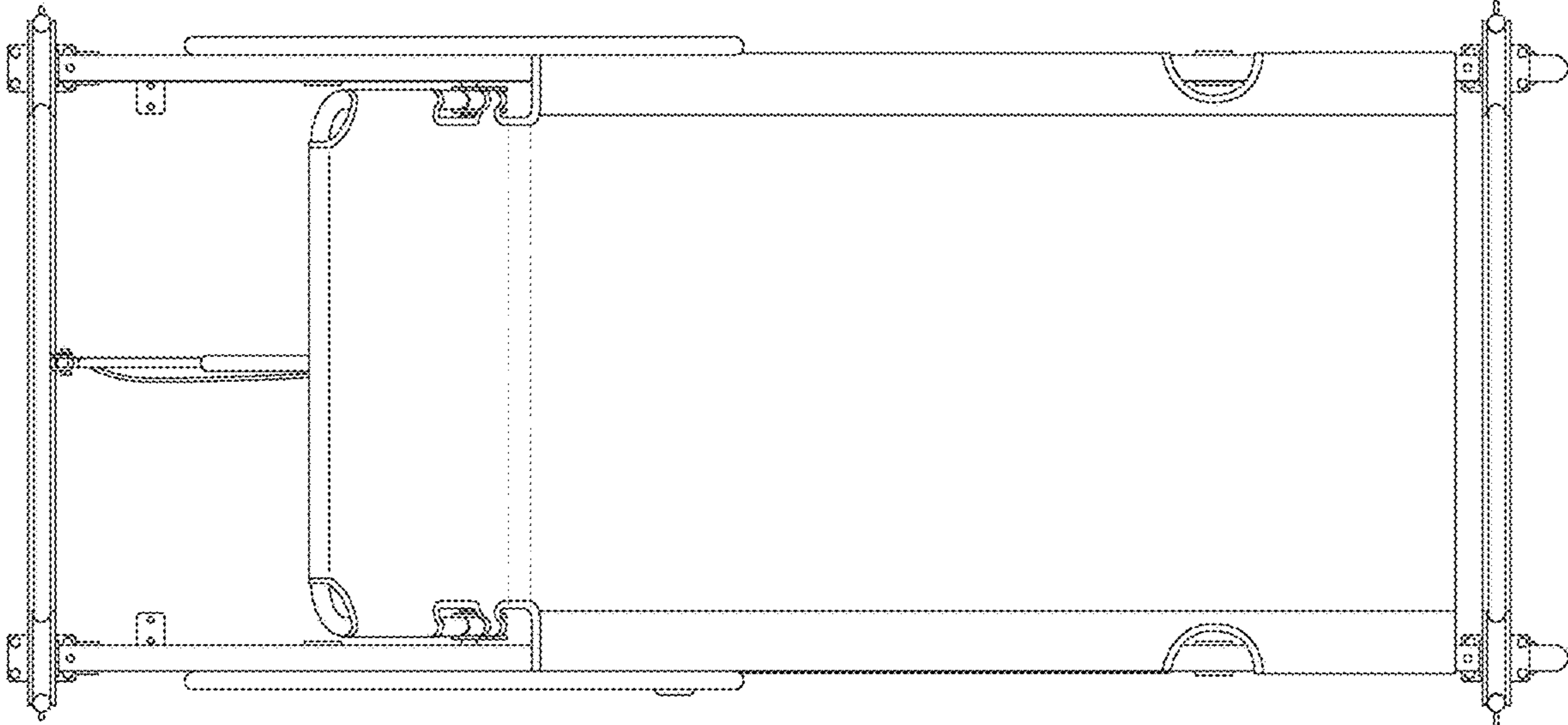
1.3



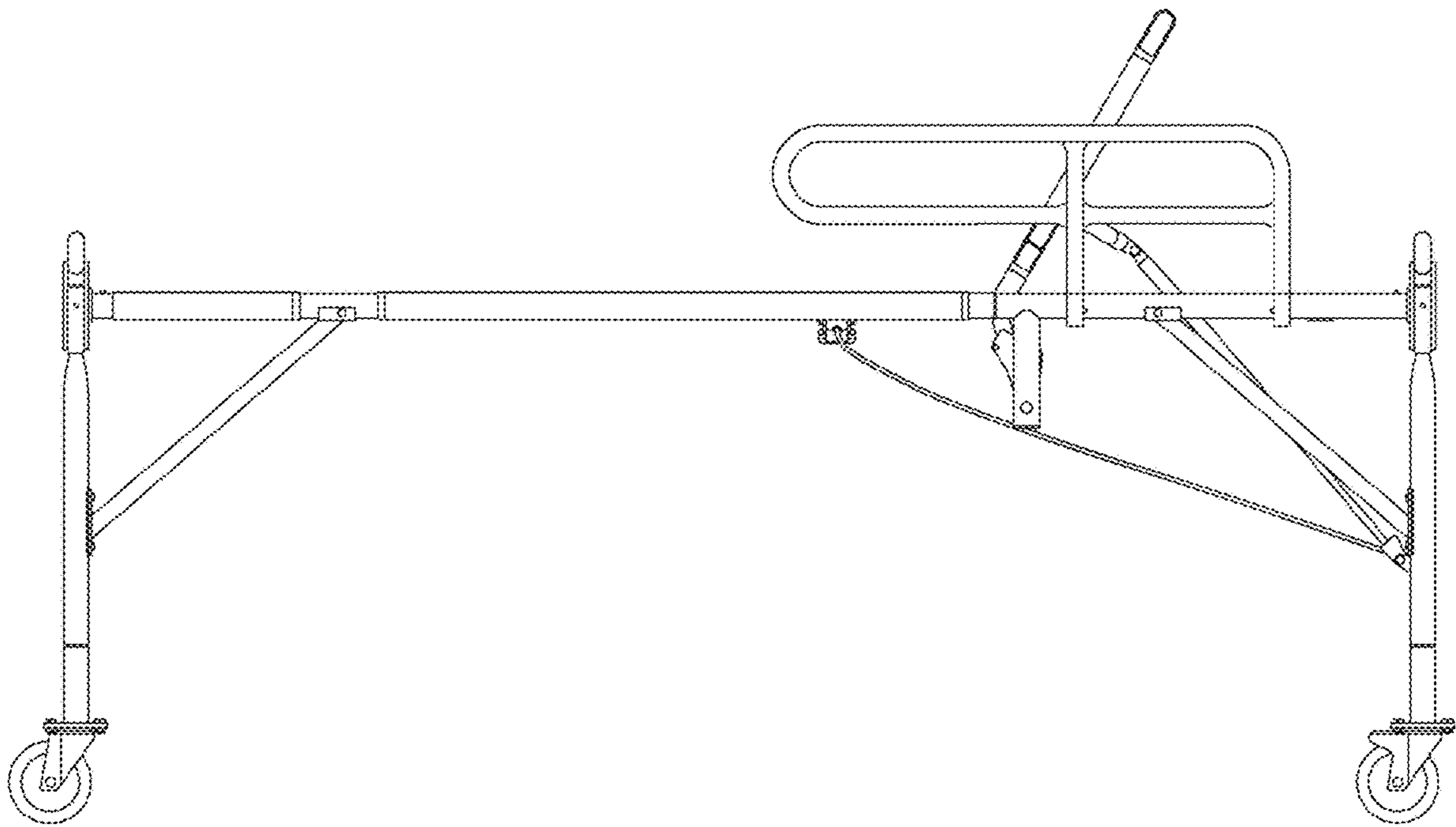
1.4



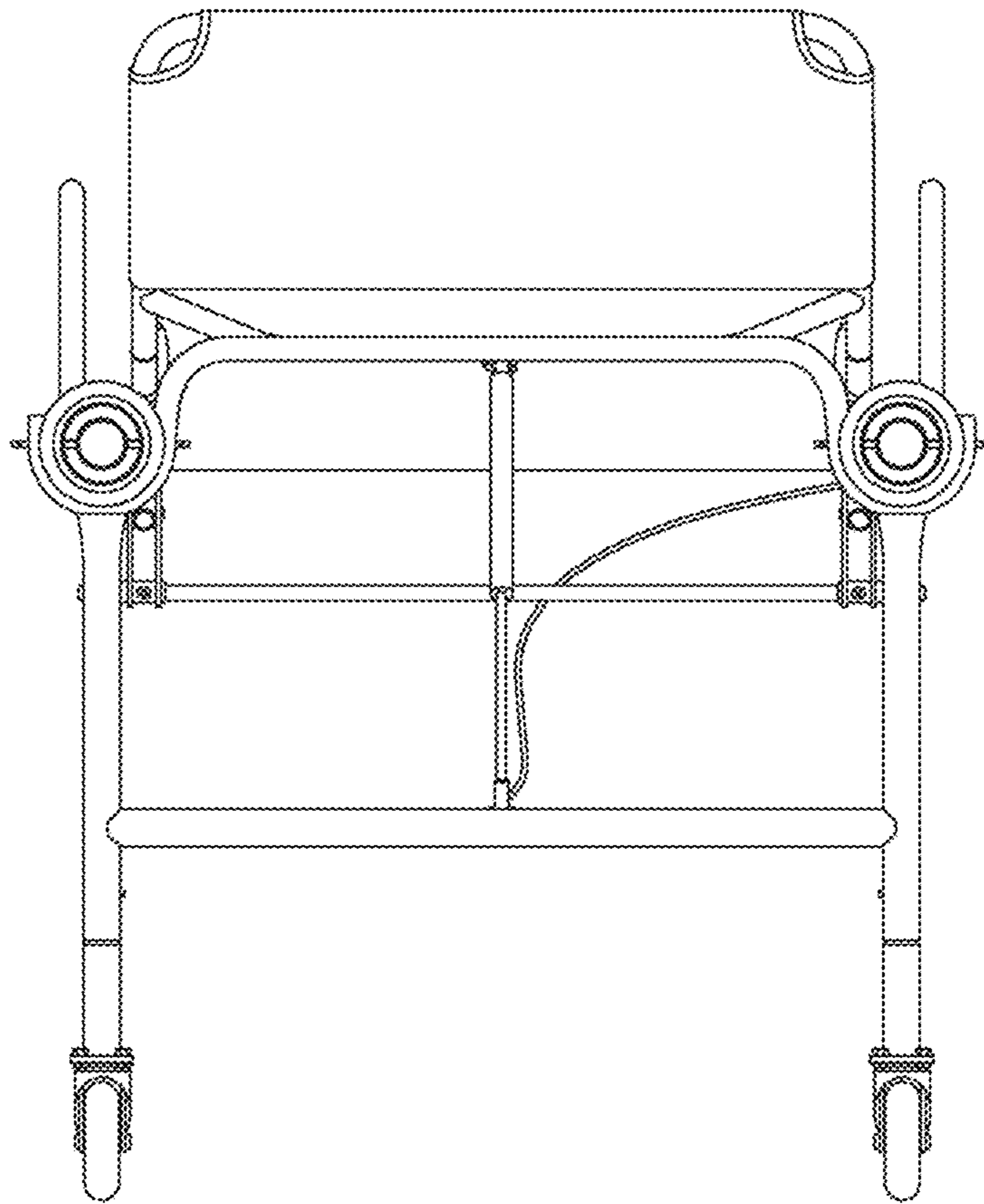
1.5



1.6

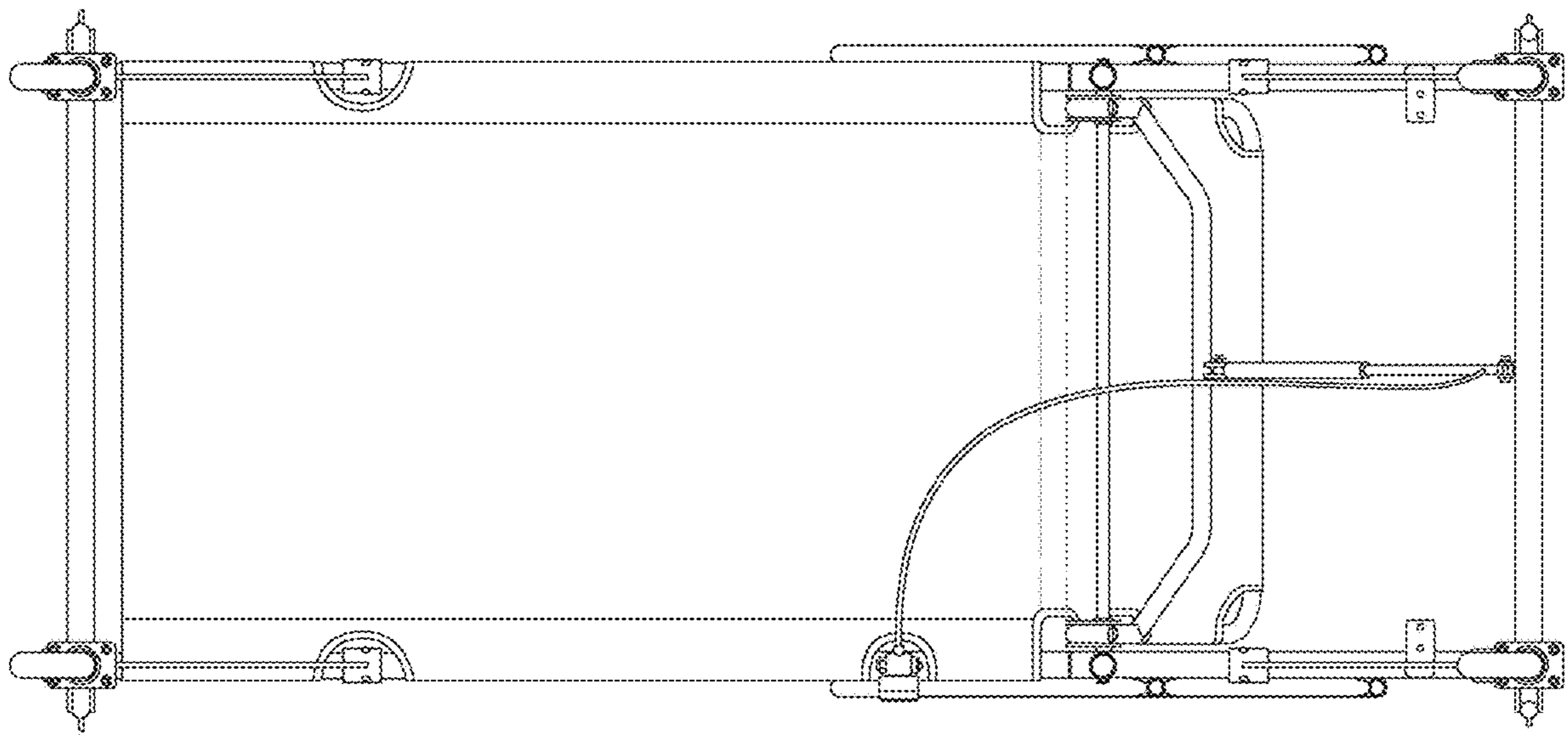


1.7





1.8



1.9

