



US00D947583S

(12) **United States Design Patent** (10) **Patent No.:** **US D947,583 S**
Li (45) **Date of Patent:** **** Apr. 5, 2022**

(54) **CLOTHING RACK**

(71) Applicant: **Huizhou Lianxiang Furniture Co., Ltd., Guangdong (CN)**

(72) Inventor: **Jiancheng Li, Guangdong (CN)**

(**) Term: **15 Years**

(21) Appl. No.: **29/687,310**

(22) Filed: **Apr. 12, 2019**

(51) **LOC (13) Cl.** **20-02**

(52) **U.S. Cl.**
USPC **D6/681.2**

(58) **Field of Classification Search**
USPC D6/315, 317, 318, 319, 328, 396, 680,
D6/681.1, 681.2, 681.3
CPC A47F 7/24; A47F 5/137; A47F 5/13; A47F
5/103; A47F 5/10; A47F 7/19; A47F
5/0081; A47F 5/01; A47F 5/06
See application file for complete search history.

(56) **References Cited**

U.S. PATENT DOCUMENTS

- 2,896,789 A * 7/1959 Sans A47G 25/0664
108/28
- D474,350 S * 5/2003 Sardis D6/681.1
- D749,879 S * 2/2016 Wall D6/680.3
- D753,940 S * 4/2016 Ruiz D6/681
- D889,171 S * 7/2020 Cao D6/681.2
- D901,952 S * 11/2020 Tuang D6/681

- D917,212 S * 4/2021 Du D6/681.2
- 2001/0015535 A1 * 8/2001 Week B62B 3/02
280/47.315
- 2006/0065615 A1 * 3/2006 Wang A47G 25/0664
211/206
- 2007/0272642 A1 * 11/2007 Baptiste A47B 43/00
211/201
- 2008/0029473 A1 * 2/2008 Hu A47G 25/0664
211/206
- 2015/0076312 A1 * 3/2015 Angvall A47F 5/0081
248/469

* cited by examiner

Primary Examiner — Lauren R Calve

(74) *Attorney, Agent, or Firm* — Prakash Nama; Global IP Services, PLLC

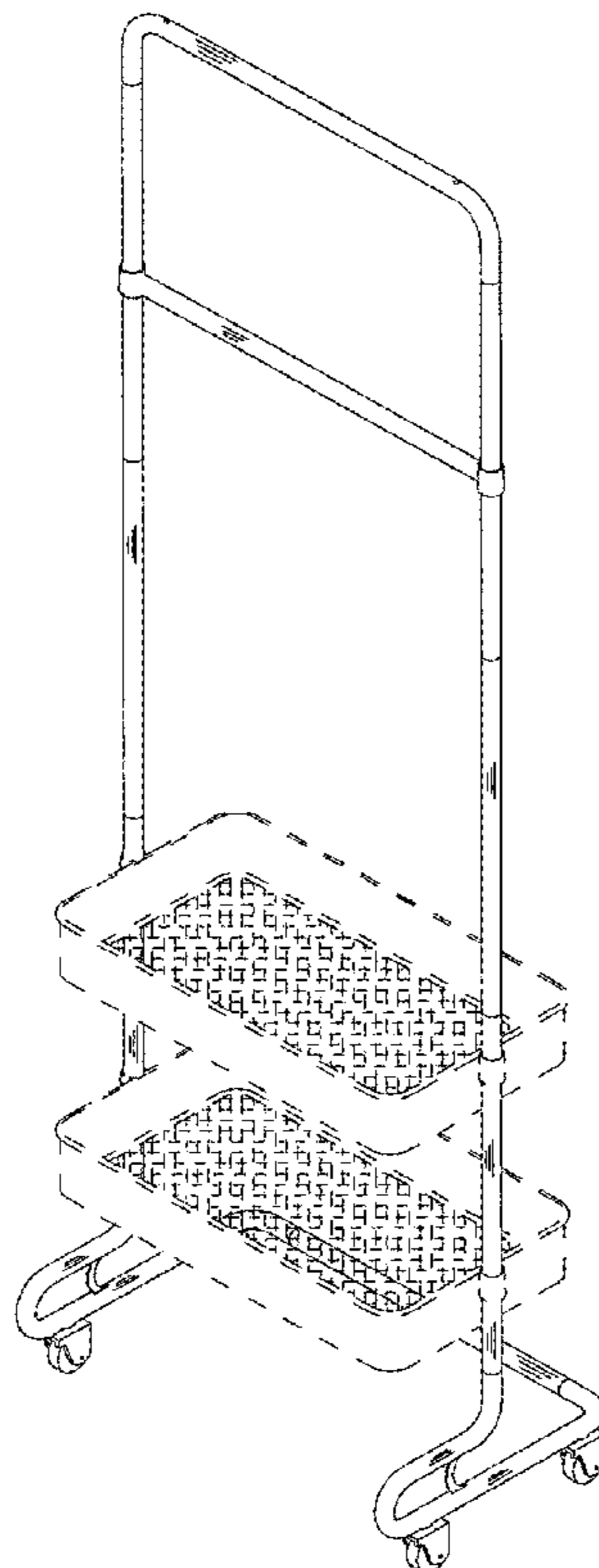
(57) **CLAIM**

The ornamental design for a clothing rack, as shown and described.

DESCRIPTION

FIG. 1 is a front elevational view of a clothing rack showing my new design;
FIG. 2 is a rear elevational view thereof;
FIG. 3 is a left side view thereof;
FIG. 4 is a right side view thereof;
FIG. 5 is a top plan view thereof;
FIG. 6 is a bottom plan view thereof; and,
FIG. 7 is a perspective view thereof.
The broken lines shown in clothing rack form no part of the claimed design.

1 Claim, 7 Drawing Sheets



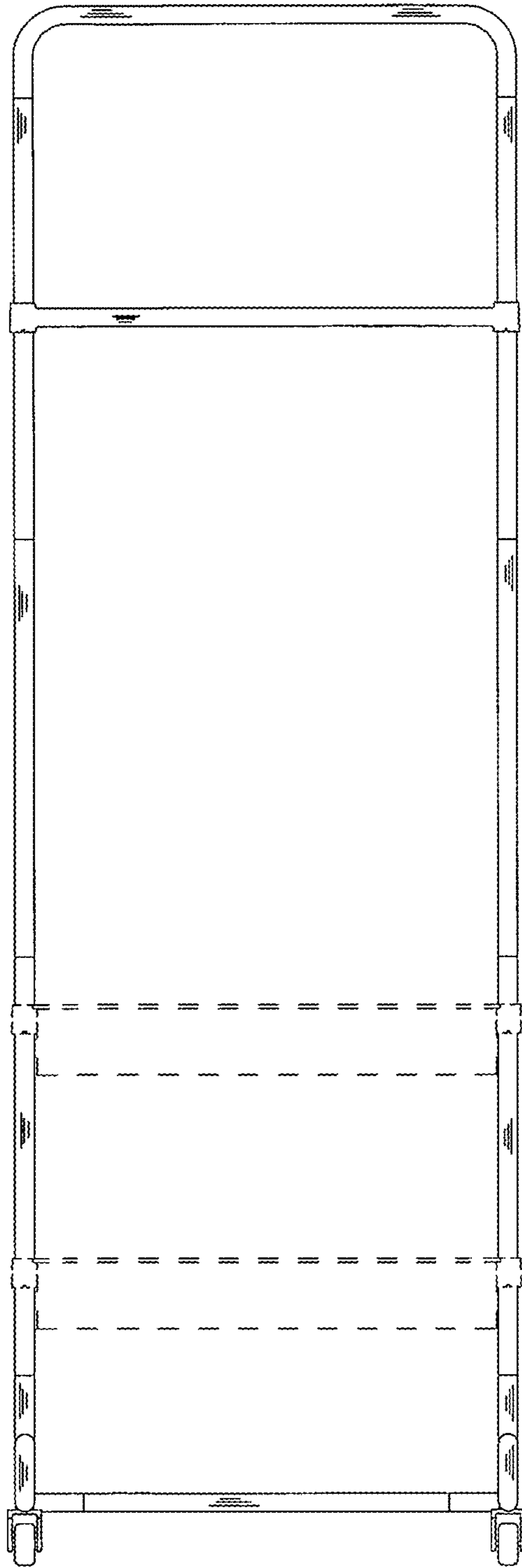


FIG.1

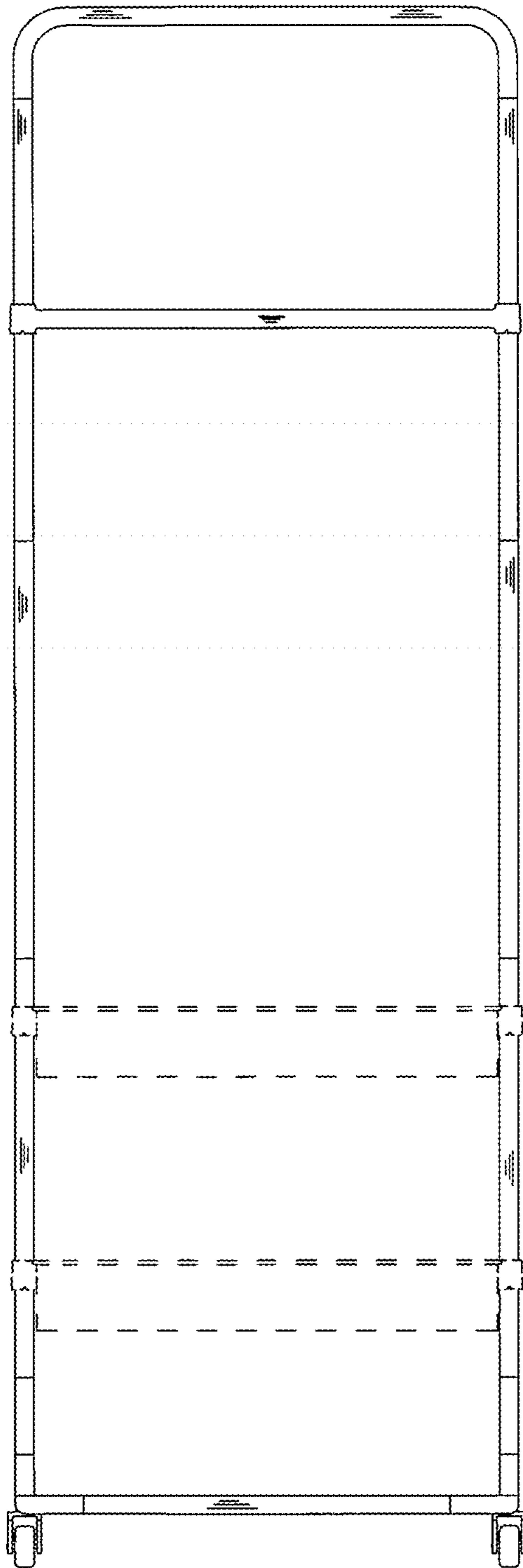


FIG.2

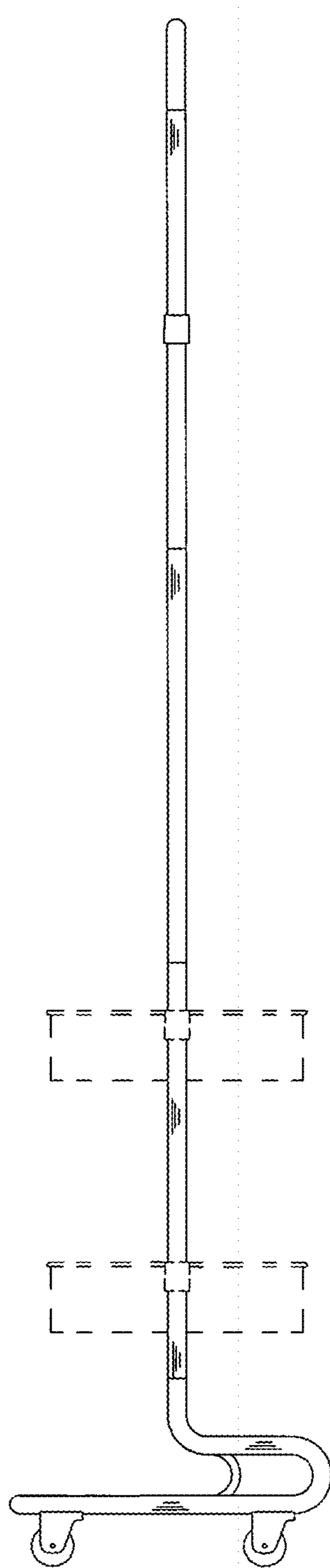


FIG.3

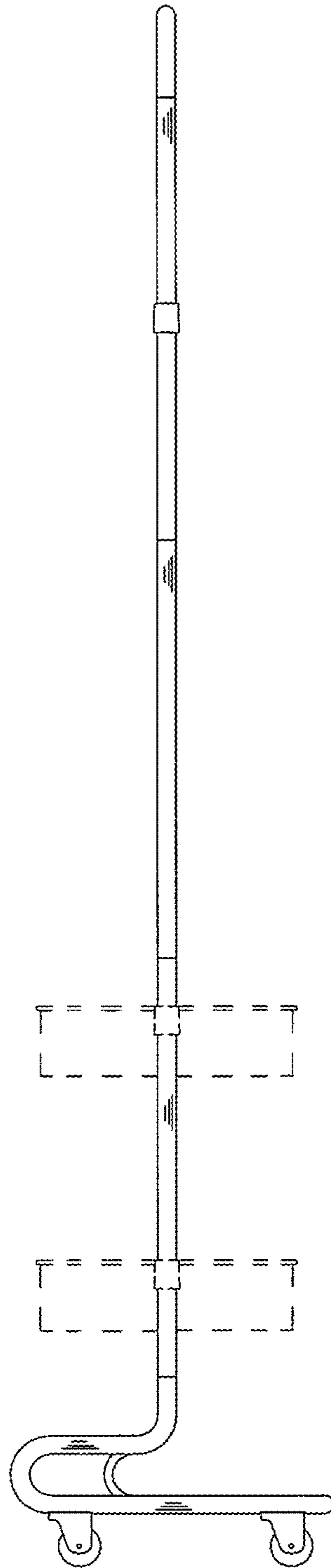


FIG.4

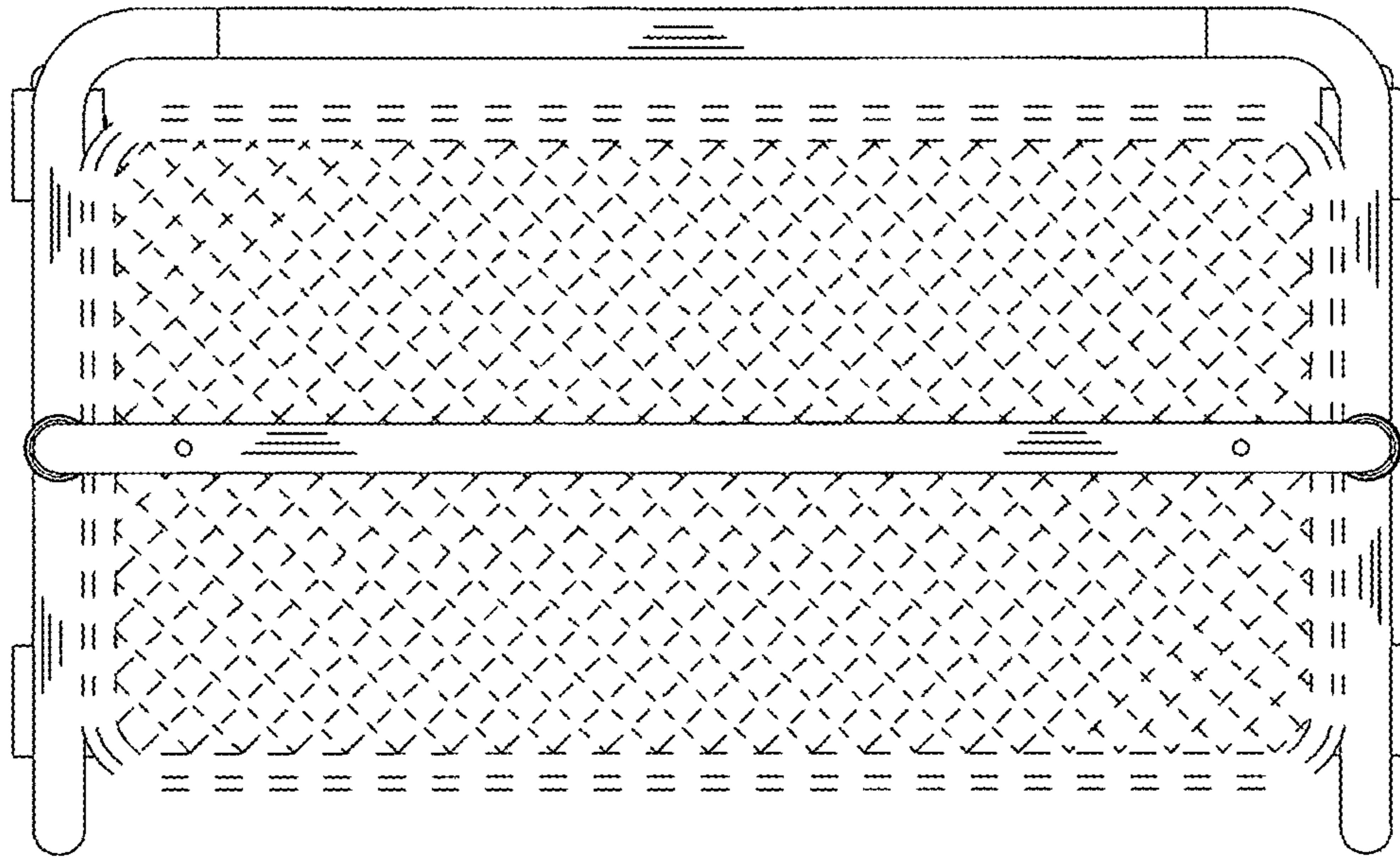


FIG.5

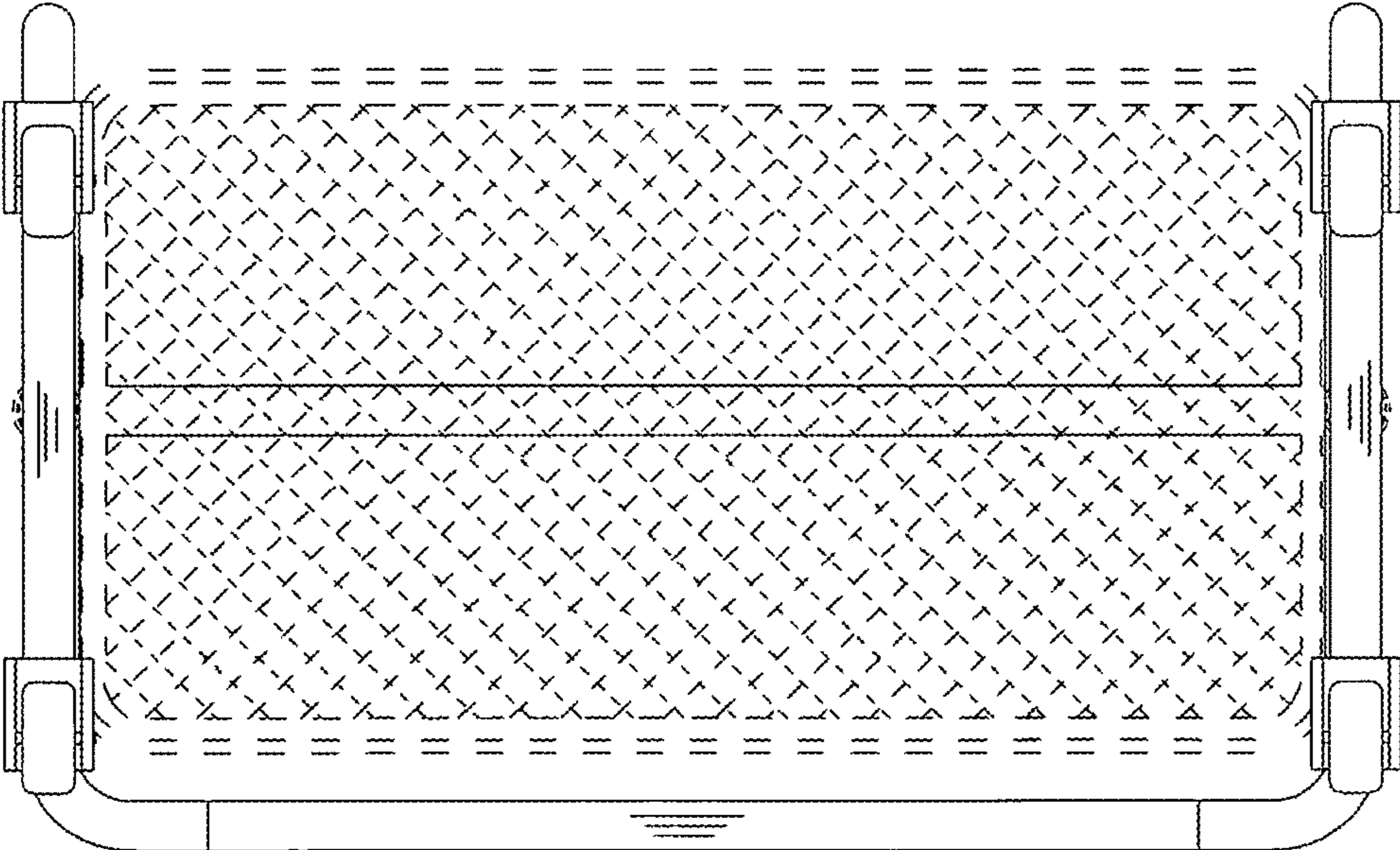


FIG.6

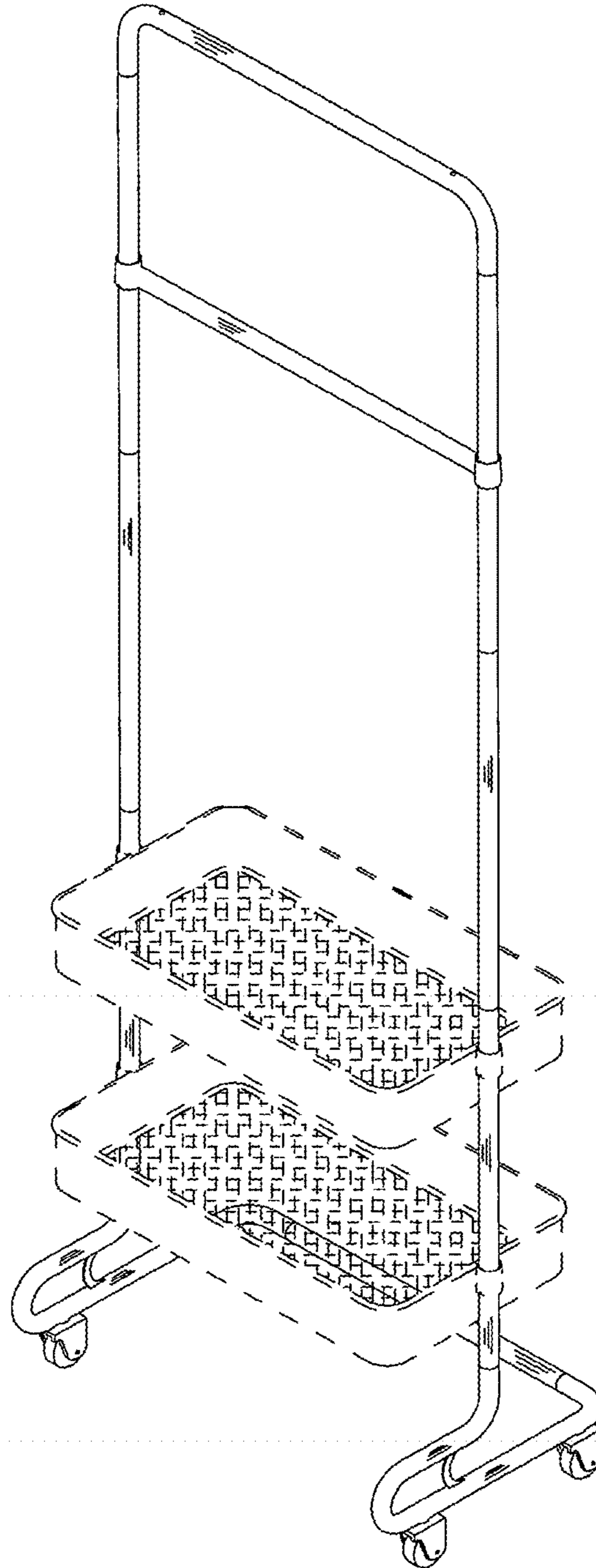


FIG.7