



US00D947579S

(12) **United States Design Patent** (10) **Patent No.:** **US D947,579 S**
Chen (45) **Date of Patent:** **** Apr. 5, 2022**

(54) **ELECTRIC LIFT TABLE**
(71) Applicant: **zhejiang zhongwei smart furniture Co., LTD**, Zhejiang (CN)
(72) Inventor: **Qiankui Chen**, Hunan (CN)
(73) Assignee: **Zhejiang Zhongwei Smart Furniture Co., LTD**, Yueqing (CN)
(**) Term: **15 Years**
(21) Appl. No.: **29/741,854**
(22) Filed: **Jul. 16, 2020**

(30) **Foreign Application Priority Data**
Jun. 15, 2020 (CN) 202030304355.6
(51) **LOC (13) Cl.** **06-03**
(52) **U.S. Cl.**
USPC **D6/656.16**
(58) **Field of Classification Search**
USPC D6/655.21, 654.1, 654, 654.21, 655, D6/654.18, 654.11, 654.14, 654.16, D6/654.17, 654.23, 655.11, 655.1, 655.14, D6/655.17, 655.18, 655.23, 656, 656.1, D6/656.12, 656.13, 656.16, 656.17, D6/656.19, 648.2, 648.3, 648.4, 652.2, D6/651.1, 651.2, 652.1, 653, 653.1, D6/653.11, 653.14, 653.16, 653.17, D6/653.18, 653.21, 653.23, 641, 642, D6/648, 691, 691.3, 691.9, 686, 691.5
CPC A47B 2200/0062; A47B 2200/0054; A47B 2021/066; A47B 2200/0029; A47B 2200/0051; A47B 2200/52; A47B 2200/0059; A47B 2200/006; A47B 2200/0061; A47B 9/00; A47B 13/10; A47B 21/00; A47B 21/0314; A47B 3/00; A47B

(Continued)

(56) **References Cited**
U.S. PATENT DOCUMENTS
D322,729 S * 12/1991 Diffrient D6/656.17
D512,587 S * 12/2005 Frenkler D6/691.5
(Continued)

FOREIGN PATENT DOCUMENTS
CN 306300463 * 7/2020
EM 008048268-0001 * 7/2020
GB 9008048268-0001 * 7/2020

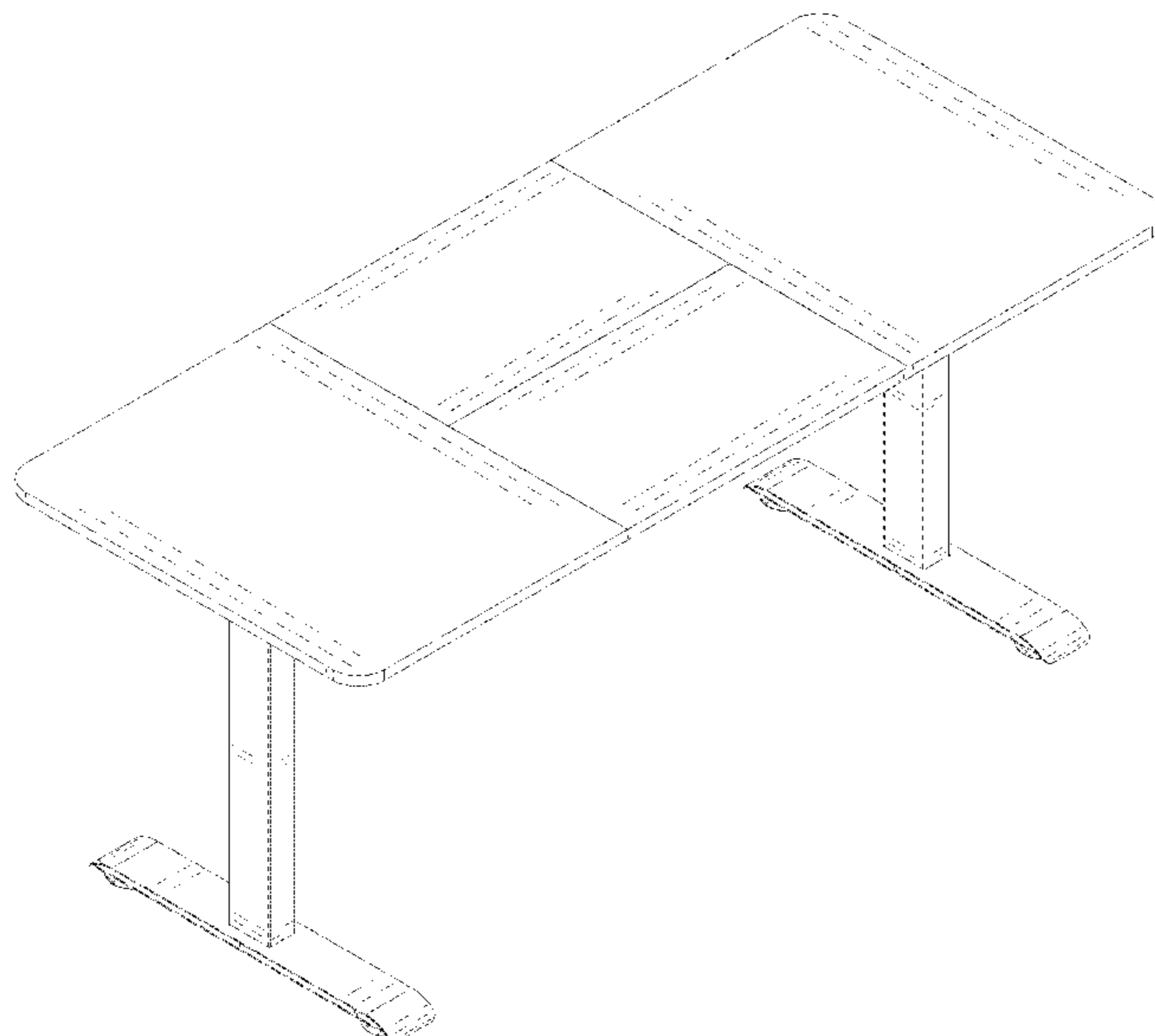
OTHER PUBLICATIONS
Electric Height Adjustable Desk by VIVO, first available: Dec. 3, 2019. Amazon.com [online], [site visited Nov. 30, 2021], Internet URL: https://www.amazon.com/VIVO-Adjustable-Workstation-Controller-DESK-KIT-B06D/dp/B0829FB6BV/ref=sr_1_8?th=1 (Year: 2019).*
(Continued)

Primary Examiner — Steven J Czyz
Assistant Examiner — Hillary Catherine Shepard

(57) **CLAIM**
The ornamental design for an electric lift table, as shown and described.

DESCRIPTION
FIG. 1 is a perspective view of an electric lift table showing my new design;
FIG. 2 is a front view thereof; with the rear view being a mirror image thereof;
FIG. 3 is a left side view thereof; with the right side view being a mirror image thereof;
FIG. 4 is a top plan view thereof;
FIG. 5 is an enlarged view of portion “5” shown in FIG. 2; and,
FIG. 6 is an enlarged view of portion “6” shown in FIG. 3. The broken lines depict portions of the article that form no part of the claimed design.

1 Claim, 6 Drawing Sheets



- (58) **Field of Classification Search**
 CPC ... 3/002; A47B 7/00; A47B 9/06; A47B 9/16;
 A47B 2009/065; A47B 13/00; A47B
 13/02; A47B 13/04; A47B 13/06; A47B
 13/08; A47B 13/12; A47B 17/00; A47B
 21/02; A47B 2200/0001; A47B
 2200/0011; A47B 2200/002; A47B
 2200/0035; A47B 2200/0037; A47B
 2200/004; A47B 2200/0066
 See application file for complete search history.

(56) **References Cited**

U.S. PATENT DOCUMENTS

D644,044	S	*	8/2011	Kitajima	D6/656.17
D732,317	S	*	6/2015	Chang	D6/656.17
D861,382	S	*	10/2019	Hu	D6/656.11
D879,514	S	*	3/2020	Goldberg	D6/656.16
D880,200	S	*	4/2020	Sokol	D6/656.17
D901,946	S	*	11/2020	Egger	D6/656.17
10,871,187	B2	*	12/2020	Walling	F16C 29/02
D922,104	S	*	6/2021	Liu	D6/656.17
11,178,962	B2	*	11/2021	Koehn	H02K 5/225
11,206,920	B2	*	12/2021	Riebner	A47B 9/00
11,206,921	B1	*	12/2021	Lin	A47B 9/20
2006/0169862	A1	*	8/2006	Liu	A47B 9/04 248/422
2008/0289544	A1	*	11/2008	Buitmann	A47B 9/00 108/20
2012/0126072	A1	*	5/2012	Pettersson	A47B 9/04 248/157
2016/0037904	A1	*	2/2016	Wu	A47B 1/08 248/550
2017/0135466	A1	*	5/2017	Randlov	A47B 13/02
2017/0238697	A1	*	8/2017	Randlov	A47B 13/021
2017/0251802	A1	*	9/2017	Lu	A47B 3/06
2017/0303679	A1	*	10/2017	Tseng	A47B 9/04
2018/0064241	A1	*	3/2018	Tseng	F15B 15/1409
2018/0092457	A1	*	4/2018	Lai	A47B 9/12
2018/0184799	A1	*	7/2018	Lin	A47B 9/04
2018/0338608	A1	*	11/2018	Keller	A47B 9/20
2019/0029413	A1	*	1/2019	Patton	A47B 13/023
2019/0200751	A1	*	7/2019	Yamamoto	A47B 9/20
2019/0298055	A1	*	10/2019	Yamamoto	A47B 9/20
2019/0328130	A1	*	10/2019	Egger	A47B 21/02
2020/0154876	A1	*	5/2020	Liu	A47B 1/08
2020/0229588	A1	*	7/2020	Chen	A47B 9/12
2020/0329861	A1	*	10/2020	Zhang	A47C 7/62
2020/0337451	A1	*	10/2020	Tao	F16F 9/0281
2020/0352320	A1	*	11/2020	Jacobs	A47B 21/02

2021/0030146	A1	*	2/2021	Riebner	A47B 9/00
2021/0052064	A1	*	2/2021	Miller	A47B 9/20
2021/0100354	A1	*	4/2021	Moller	A47B 9/20
2021/0145163	A1	*	5/2021	Lin	A47B 9/04
2021/0145164	A1	*	5/2021	Lu	G05B 19/0426
2021/0177137	A1	*	6/2021	Lindner	F16B 12/44

OTHER PUBLICATIONS

Standing Desk by Flexispot, first available: Sep. 3, 2018. Amazon.com [online], [site visited Nov. 30, 2021], Internet URL: https://www.amazon.com/FLEXISPOT-EC1B-R4830B-Adjustable-Electric-Blacktop/dp/B07H2W9Y3W/ref=sr_1_1_sspa (Year: 2018).*

Electric Height Adjustable Standing Desk by SHW, first available: Aug. 27, 2018. Amazon.com [online], [site visited Nov. 30, 2021], Internet URL: https://www.amazon.com/SHW-Electric-Height-Adjustable-Computer/dp/B07GVRKCWP/ref=sr_1_2_sspa?th=1 (Year: 2018).*

Electric Height Adjustable Desk by Zhongwei, first available: unkown. Alibaba.com [online], [site visited Nov. 30, 2021], Internet URL: https://zonwe20.en.alibaba.com/product/1600310912762-902083227/reliable_small_and_light_modern_metal_single_motor_Electric_Height_Adjustable_Desks.html? (Year: 2021).*

Dual Motor Height Adjustable Desk by FEZIBO, first available: Jun. 13, 2020. Amazon.com [online], [site visited Nov. 30, 2020], Internet URL: https://www.amazon.com/FEZIBO-Height-Adjustable-Electric-Standing/dp/B08B4MPHMG/ref=sr_1_9 (Year: 2020).*

Memory Preset Electric Height Adjustable Standing Desk by SHW, first available: Jan. 4, 2019. Amazon.com [online], [site visited Jan. 20, 2022], Internet URL: https://www.amazon.com/DESIGNA-Adjustable-Computer-Workstation-Multi-Functional/dp/B086W41GX5/ref=sr_1_79?th=1 (Year: 2019).*

Dagnija Height Adjustable Standing Gaming Desk by Inbox, first available: May 27, 2021. Wayfair.com [online], [site visited Jan. 20, 2022], Internet URL: <https://www.wayfair.com/furniture/pdp/inbox-zero-dagnija-height-adjustable-standing-gaming-desk-w004021069.html> (Year: 2021).*

Computer Gaming Desk 60" by DESIGNA, first available: Apr. 7, 2020. Amazon.com [online], [site visited Jan. 20, 2022], Internet URL: <https://www.wayfair.com/furniture/pdp/inbox-zero-dagnija-height-adjustable-standing-gaming-desk-w004021069.html> (Year: 2020).*

Electric Height Adjustable Standing Desk by Inbox Zero, first available: Apr. 8, 2021. Wayfair.com [online], [site visited Jan. 20, 2022], Internet URL: <https://www.wayfair.com/furniture/pdp/inbox-zero-electric-height-adjustable-standing-desk-w002724655.html?piid=1092090442> (Year: 2021).*

* cited by examiner

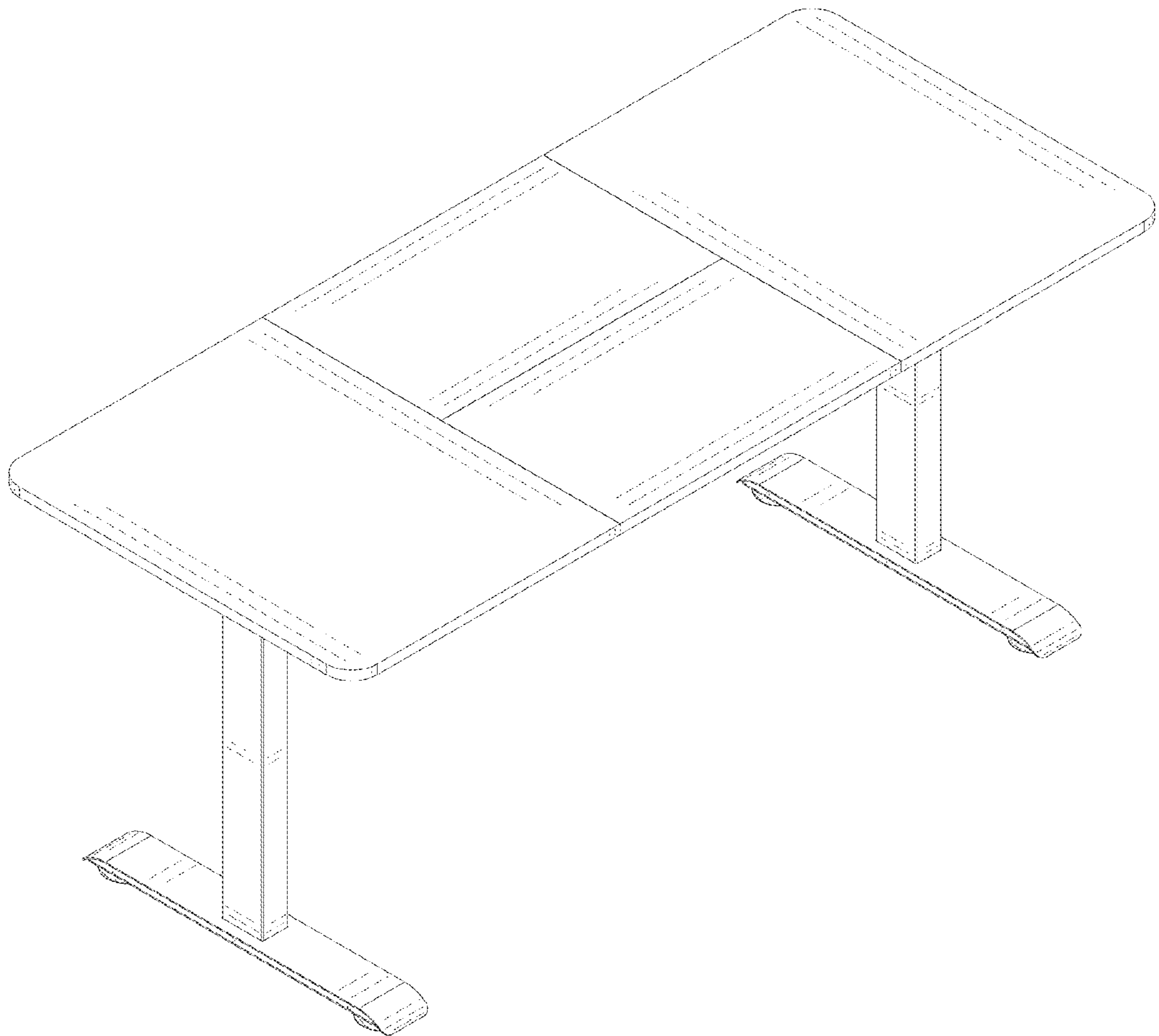


FIG. 1

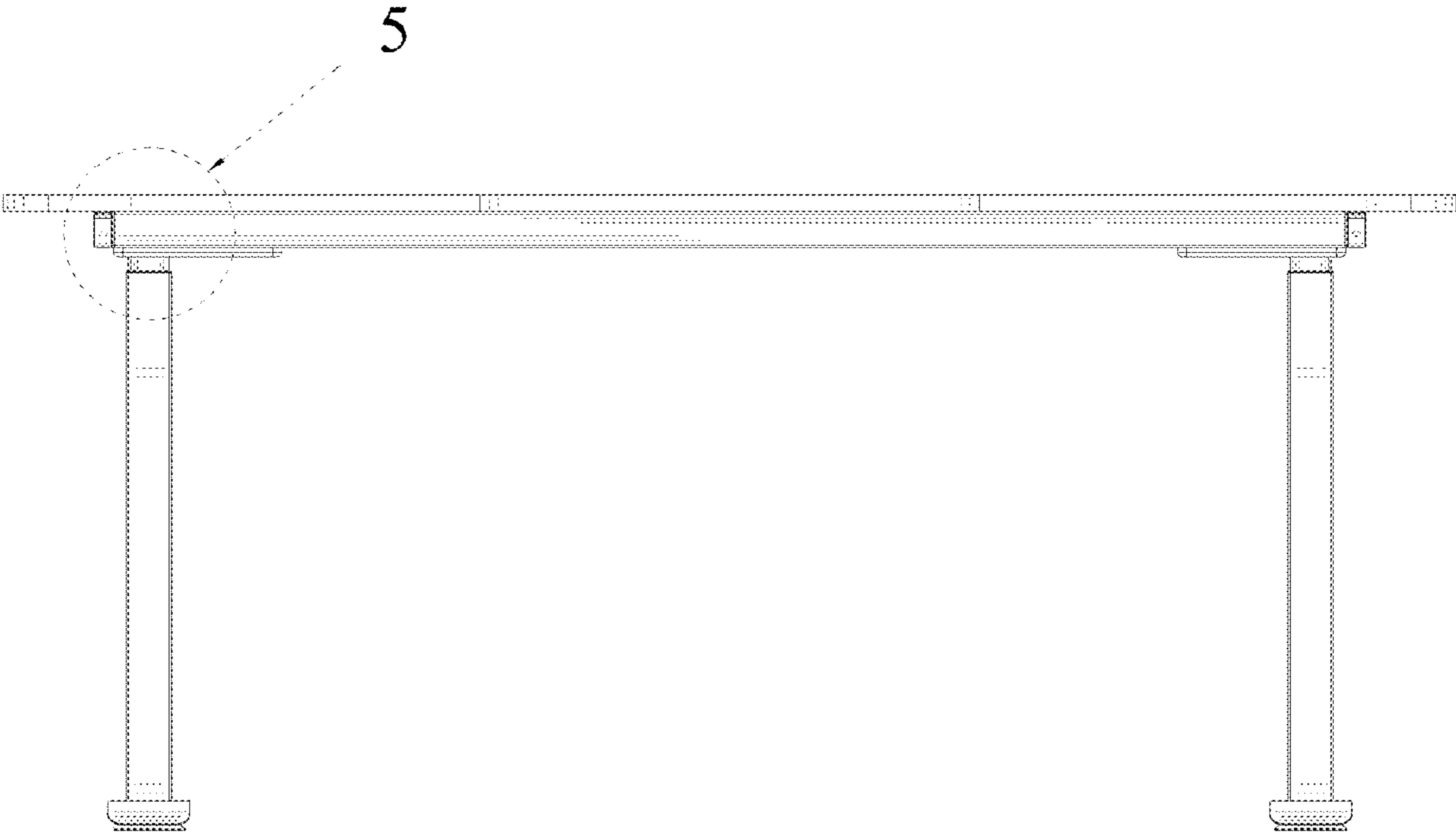


FIG. 2

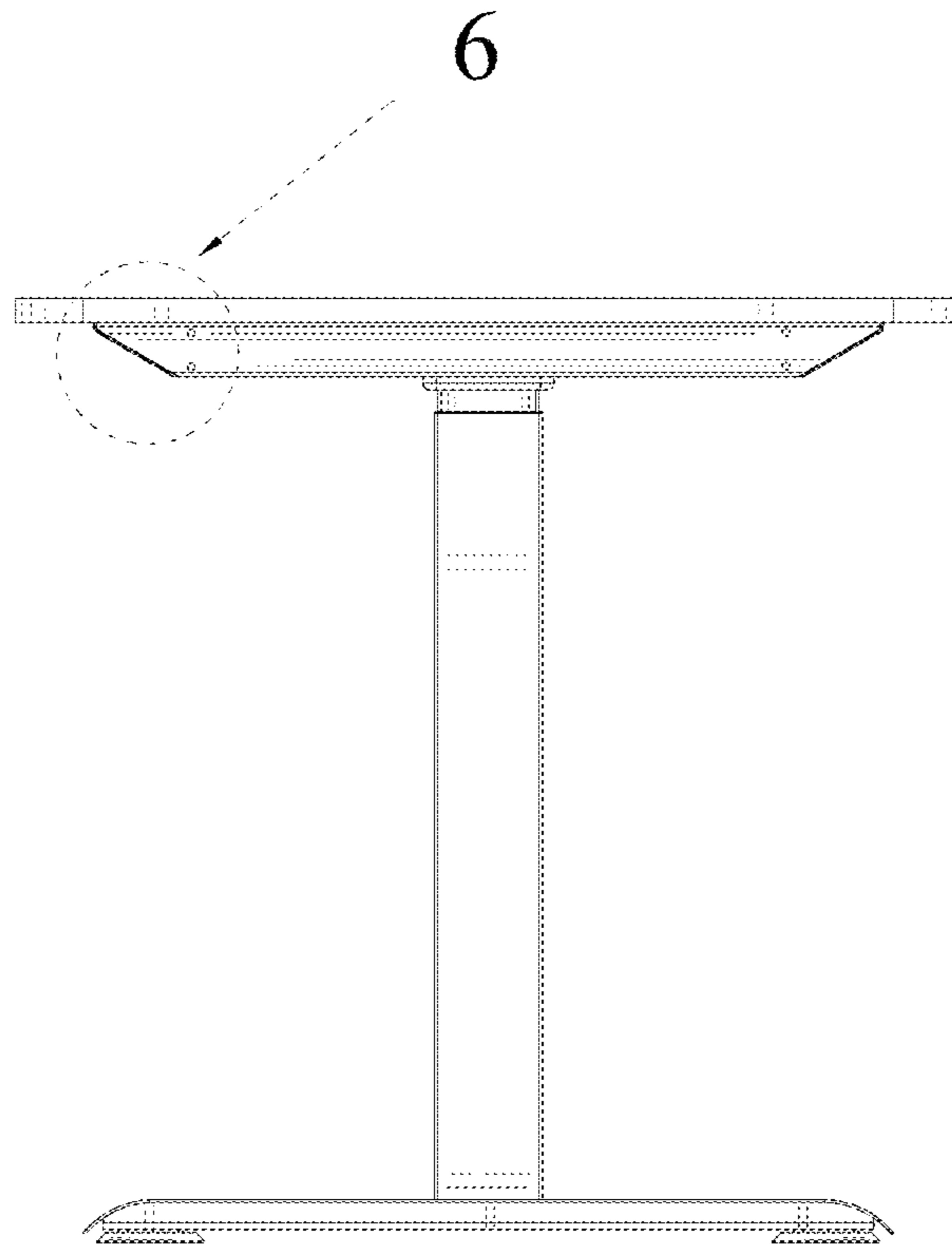


FIG. 3

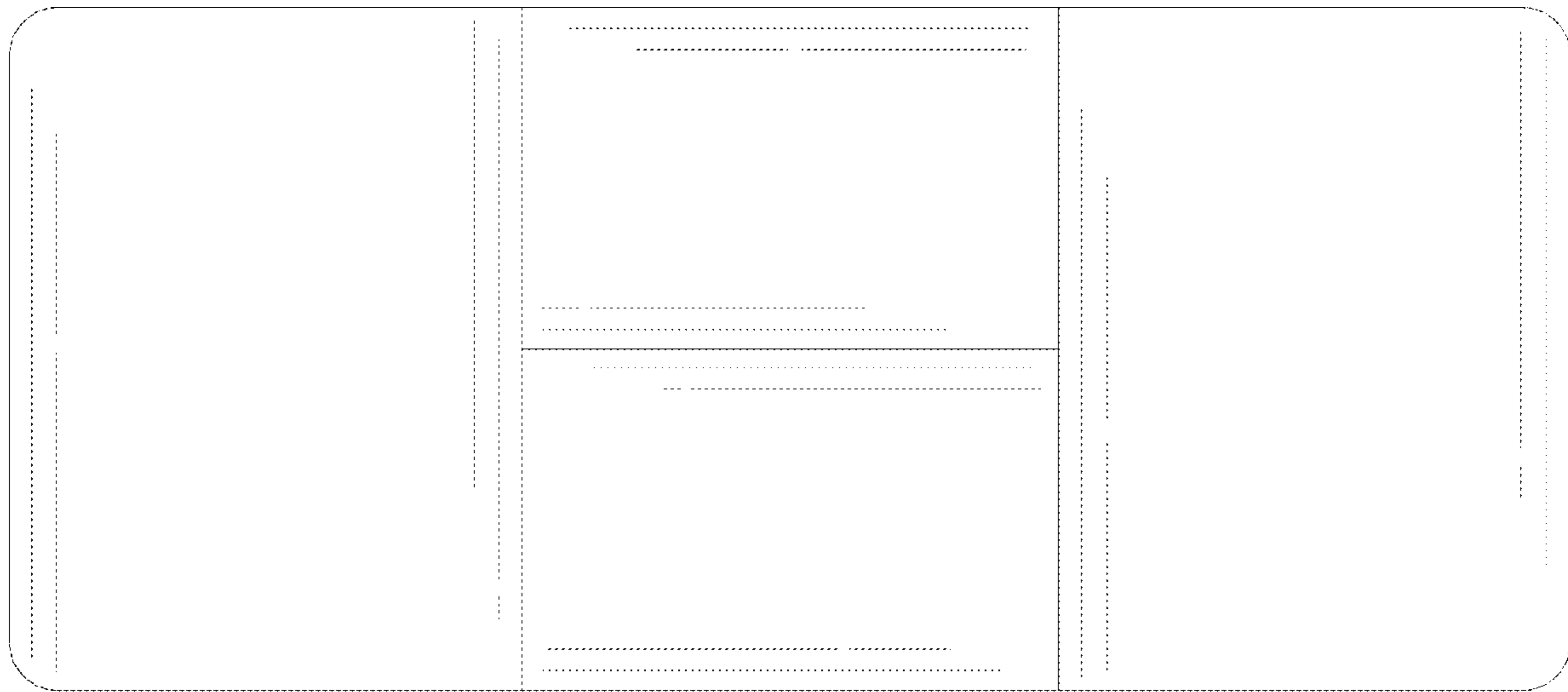


FIG. 4

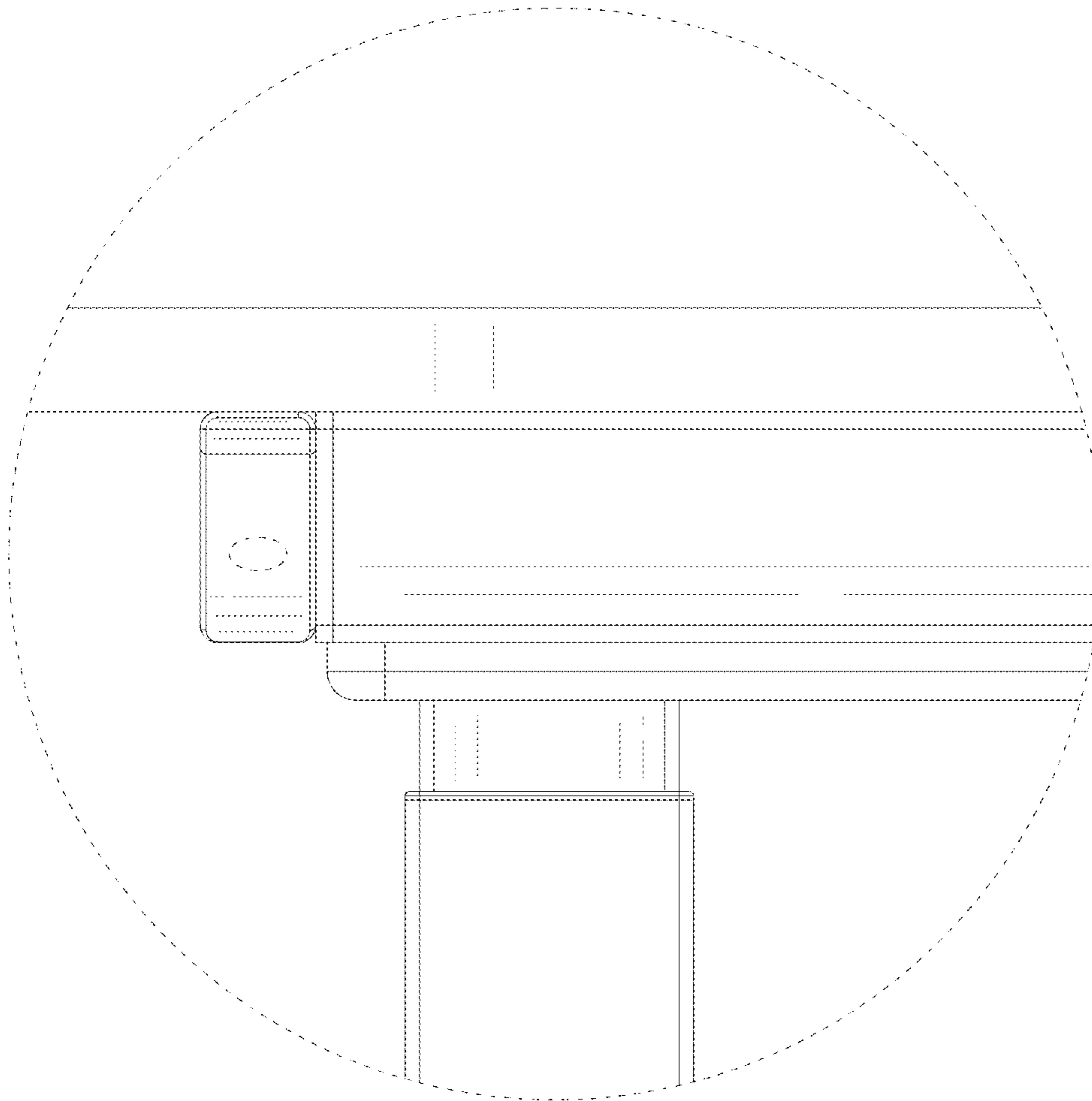


FIG. 5

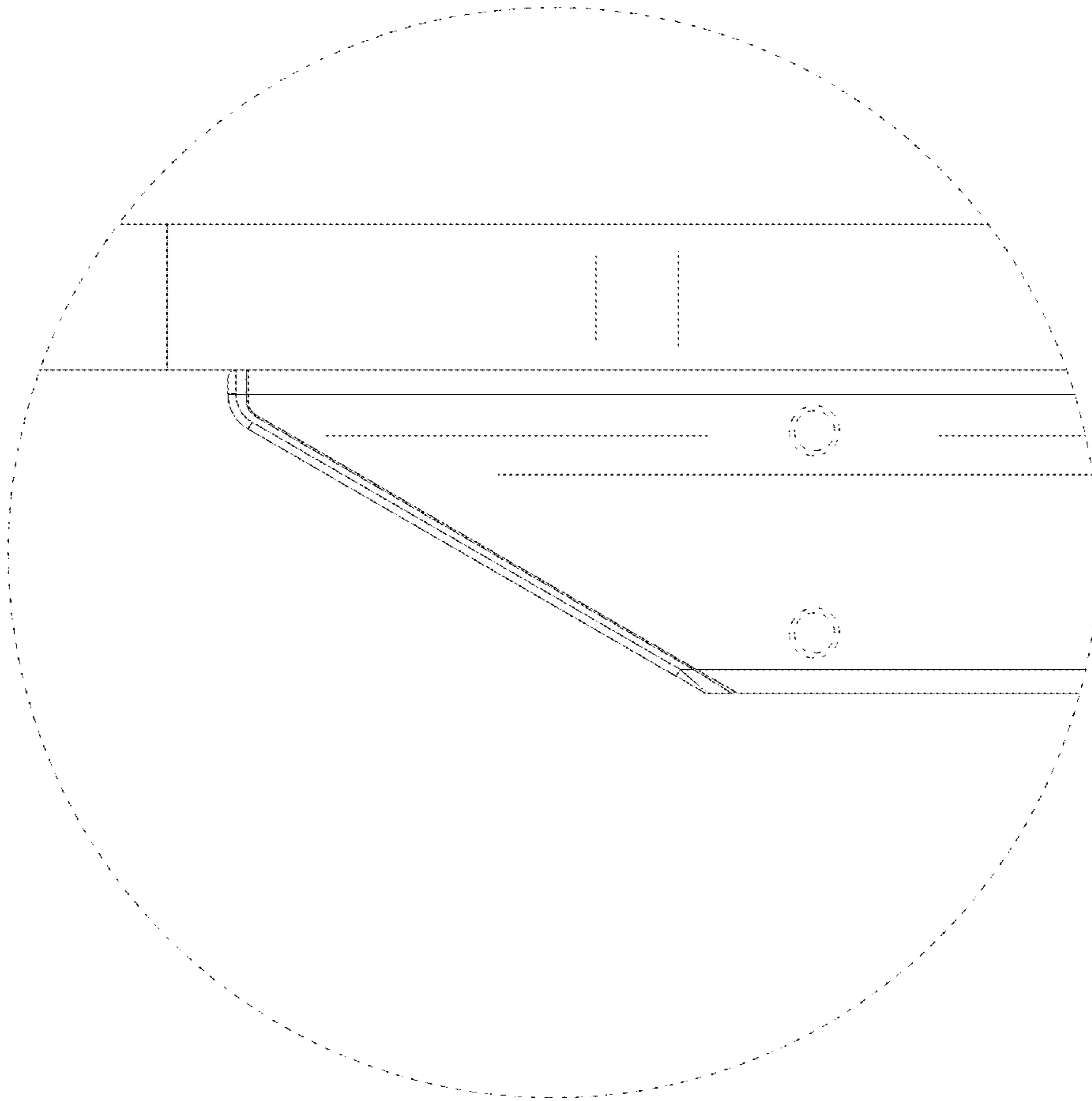


FIG. 6