

US00D947578S

(12) **United States Design Patent** (10) **Patent No.:** **US D947,578 S**
Hu (45) **Date of Patent:** **** Apr. 5, 2022**

(54) **HEIGHT ADJUSTABLE DESK**
(71) Applicant: **Yajun Hu**, El Dorado Hills, CA (US)
(72) Inventor: **Yajun Hu**, El Dorado Hills, CA (US)
(73) Assignees: **Yajun Hu**, El Dorado Hills, CA (US);
EUREKA LLC, EL Dorado Hills, CA (US)
(**) Term: **15 Years**

4,703,700 A 11/1987 Sema
D302,890 S * 8/1989 Ng D34/21
D334,856 S * 4/1993 Sielaff D6/654
D372,817 S * 8/1996 Stevens D6/698
5,683,066 A * 11/1997 McCann A47B 21/0314
248/295.11
D414,350 S * 9/1999 Fear D6/654.21
D427,804 S * 7/2000 Olson D6/653
D474,355 S * 5/2003 Sexton D6/648.1
D478,225 S 8/2003 Wang
D499,273 S 12/2004 Chang
(Continued)

(21) Appl. No.: **29/745,741**
(22) Filed: **Aug. 7, 2020**
(51) **LOC (13) Cl.** **06-03**
(52) **U.S. Cl.**
USPC **D6/654.21**
(58) **Field of Classification Search**
USPC D6/641-692
CPC A47B 2200/0062; A47B 2200/0054; A47B
2021/066; A47B 2200/0029; A47B
2200/0051; A47B 2200/52; A47B
2200/0059; A47B 2200/006; A47B
2200/0061; A47B 9/00; A47B 13/00;
A47B 21/00; A47B 21/0314; A47B 3/00;
A47B 3/002; A47B 7/00; A47B 9/06;
A47B 9/16; A47B 2009/065; A47B
13/02; A47B 13/04; A47B 13/06; A47B
13/08; A47B 13/10; A47B 13/12; A47B
17/00; A47B 21/02; A47B 2200/0001;
A47B 2200/0011; A47B 2200/002; A47B
2200/0035; A47B 2200/0037; A47B
2200/004; A47B 2200/0066
See application file for complete search history.

OTHER PUBLICATIONS

Height Adjustable Stand Up Desk by DESIGNA, first available:
Nov. 16, 2020. Amazon.com [online], [site visited Nov. 16, 2021],
Internet URL: https://www.amazon.com/dp/B08NJ3V5DF/ref=sspa_dk_detail_3 (Year: 2020).*

(Continued)

Primary Examiner — Steven J Cxyz
Assistant Examiner — Hillary Catherine Shepard

(57) **CLAIM**

I claim the ornamental design for a height adjustable desk,
as shown and described.

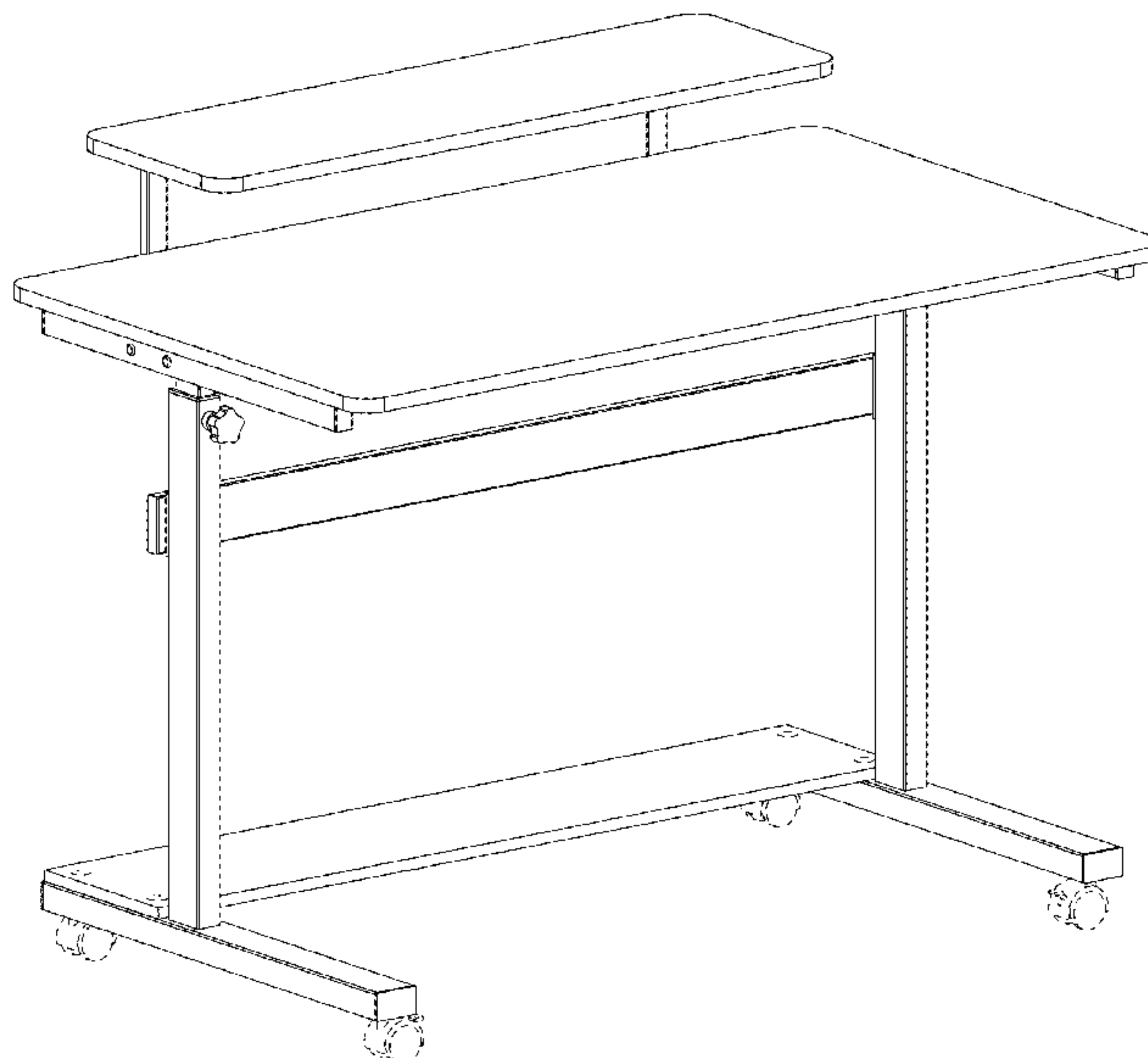
DESCRIPTION

FIG. 1 is a perspective view of a height adjustable desk,
showing my new design;
FIG. 2 is a perspective view, in an extended position thereof;
FIG. 3 is a front view thereof;
FIG. 4 is a bottom view thereof;
FIG. 5 is a top view thereof;
FIG. 6 is a rear side view thereof;
FIG. 7 is a left side view thereof; and,
FIG. 8 is an annotated view at A point thereof.
The broken lines depict portions of the article that form no
part of the claim design.

(56) **References Cited**
U.S. PATENT DOCUMENTS

D278,583 S * 4/1985 Koguma D6/654.17
D283,094 S * 3/1986 Strand D6/654

1 Claim, 8 Drawing Sheets



(56)

References Cited

U.S. PATENT DOCUMENTS

D499,576 S 12/2004 Long
 D526,812 S 8/2006 Chen
 D527,550 S * 9/2006 Sexton D6/648.1
 D547,970 S 8/2007 Chou
 D549,009 S 8/2007 Lin
 D584,074 S * 1/2009 Gadzinski D6/642
 8,118,375 B2 2/2012 Berthiaume et al.
 D710,133 S * 8/2014 Scharer D6/656.17
 D716,073 S * 10/2014 Hsu D6/654.17
 D716,074 S * 10/2014 Kitajima D6/654.21
 D719,767 S * 12/2014 Scharer D6/656.17
 D732,317 S * 6/2015 Chang D6/656.17
 D733,476 S * 7/2015 Papic D6/708
 D743,718 S * 11/2015 Tempas D6/655.21
 D776,961 S * 1/2017 Yamamoto D6/656.16
 9,572,422 B2 2/2017 Ergun et al.
 9,591,919 B2 3/2017 Ergun et al.
 D784,049 S * 4/2017 Labrosse D6/650
 9,635,932 B2 5/2017 Kelley et al.
 9,655,438 B1 * 5/2017 Shoenfeld A47B 21/02
 D794,358 S * 8/2017 Yamamoto D6/656
 D815,867 S * 4/2018 Herring D6/709
 D819,371 S * 6/2018 Cao D6/656.16
 10,123,613 B2 * 11/2018 Hall A63B 24/0062
 D838,126 S * 1/2019 Hu D6/655.21
 D846,917 S * 4/2019 Hu D6/656.17
 D861,382 S * 10/2019 Hu D6/656.11
 D865,404 S * 11/2019 Hu D6/655.13
 D872,505 S * 1/2020 Cleland D6/656.17
 D875,442 S * 2/2020 Duan D6/656.16
 D879,514 S * 3/2020 Goldberg D6/656.16
 D880,200 S * 4/2020 Sokol D6/656.17
 D880,917 S * 4/2020 Itou D6/708.17
 D881,611 S * 4/2020 Nightingale D6/656.17
 10,617,201 B2 * 4/2020 Smed A47B 9/00
 10,869,547 B2 * 12/2020 Lu A47B 9/00
 10,912,380 B1 * 2/2021 Lu G01P 13/00
 D917,935 S * 5/2021 Huang D6/656.17
 D931,660 S * 9/2021 Hu D6/656.16
 D931,661 S * 9/2021 Hu D6/656.17
 11,178,962 B2 * 11/2021 Koehn H02K 5/225
 11,206,920 B2 * 12/2021 Riebner A47B 9/00
 11,206,921 B1 * 12/2021 Lin A47B 9/20
 2011/0120351 A1 * 5/2011 Shoenfeld A47B 21/02
 108/20

2012/0255465 A1 * 10/2012 Hernandez A47B 85/06
 108/7
 2014/0137773 A1 * 5/2014 Mandel G06Q 10/109
 108/50.11
 2015/0216296 A1 * 8/2015 Mitchell A47B 5/00
 108/21
 2015/0351553 A1 * 12/2015 Herring A47C 7/002
 482/54
 2016/0037907 A1 * 2/2016 Ergun A47B 9/02
 108/147
 2016/0353876 A1 * 12/2016 Mitchell A47B 5/00
 2017/0000255 A1 * 1/2017 Herring A47C 16/02
 2017/0000257 A1 * 1/2017 Ergun A47B 9/02
 2017/0188698 A1 * 7/2017 Chen A47B 91/02
 2017/0354244 A1 * 12/2017 Lee A61B 5/6892
 2018/0184799 A1 * 7/2018 Lin A47B 9/04
 2019/0150609 A1 * 5/2019 Salehi A47B 21/02
 2019/0254418 A1 * 8/2019 Ryholl A47B 21/02
 2019/0374024 A1 * 12/2019 Elliott A47B 13/088
 2020/0154881 A1 * 5/2020 Applegate A47B 9/20
 2021/0100354 A1 * 4/2021 Moller A47B 9/20

OTHER PUBLICATIONS

Electric Standing Desk by Eureka Ergonomic, first available: Jan. 5, 2020. Amazon.com [online], [site visited Nov. 16, 2021], Internet URL: <https://www.amazon.com/EUREKA-ERGONOMIC-Adjustable-Self-Locking-Protection/dp/B083J38441> (Year: 2020).*

Adjustable Standing Desk by Room Essentials, first available: Jul. 24, 2021. Target.com [online], [site visited Nov. 16, 2021], Internet URL: <https://www.target.com/p/adjustable-standing-desk-black-room-essentials-8482/-/A-81792875#lnk=sametab> (Year: 2021).*

Electric Height Adjustable Standing Desk by vocheer, first available: May 31, 2021. Amazon.com [online], [site visited Nov. 16, 2021], Internet URL: https://www.amazon.com/dp/B0967DP48M/ref=sspa_dk_detail_6?th=1 (Year: 2021).*

Height Adjustable Desk by DESIGNA, first available: Oct. 15, 2021. Amazon.com [online], [site visited Dec. 29, 2021], Internet URL: https://www.amazon.com/DESIGNA-Adjustable-Computer-Standing-Detachable/dp/B09JKPTKZ5/ref=sr_1_107 (Year: 2021).*

Mobil Standing Desk by Eureka Ergonomic, first available: May 25, 2020. Amazon.com [online], [site visited Dec. 29, 2021], Internet URL: https://www.amazon.com/Ergonomic-Adjustable-Standing-Computer-Workstation/dp/B0894MYZ2H/ref=sr_1_55 (Year: 2020).*

* cited by examiner

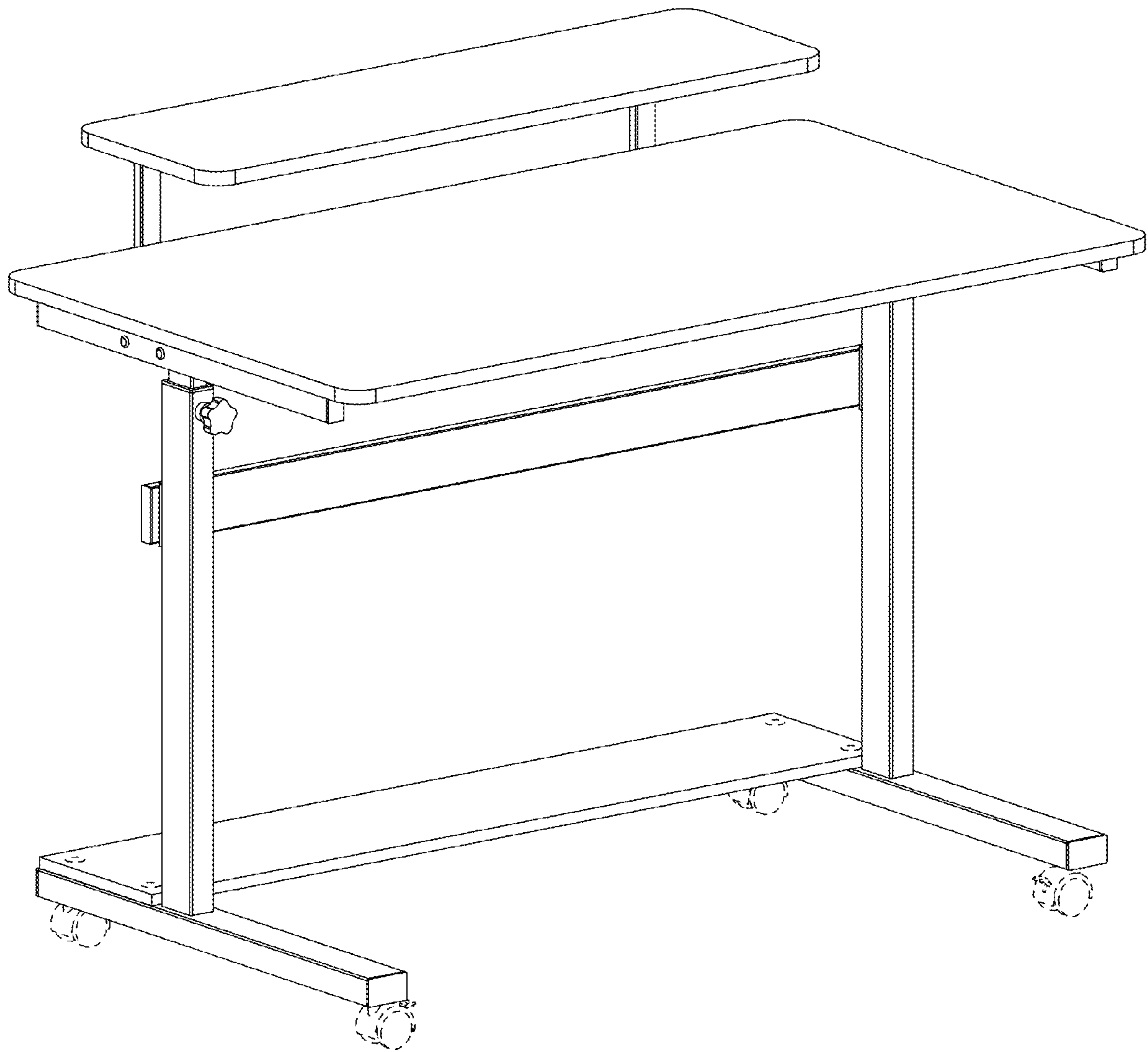


FIG.1

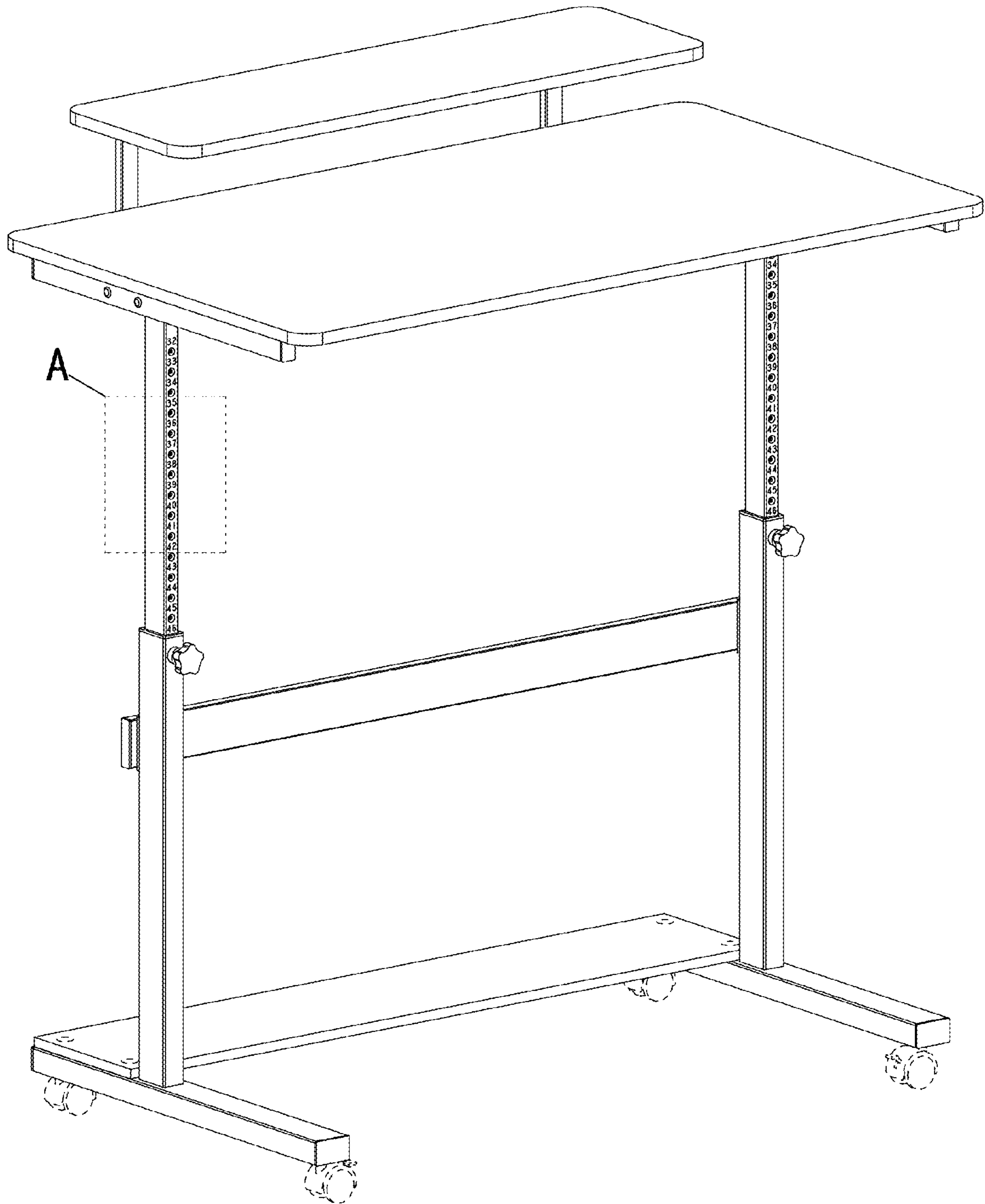


FIG.2

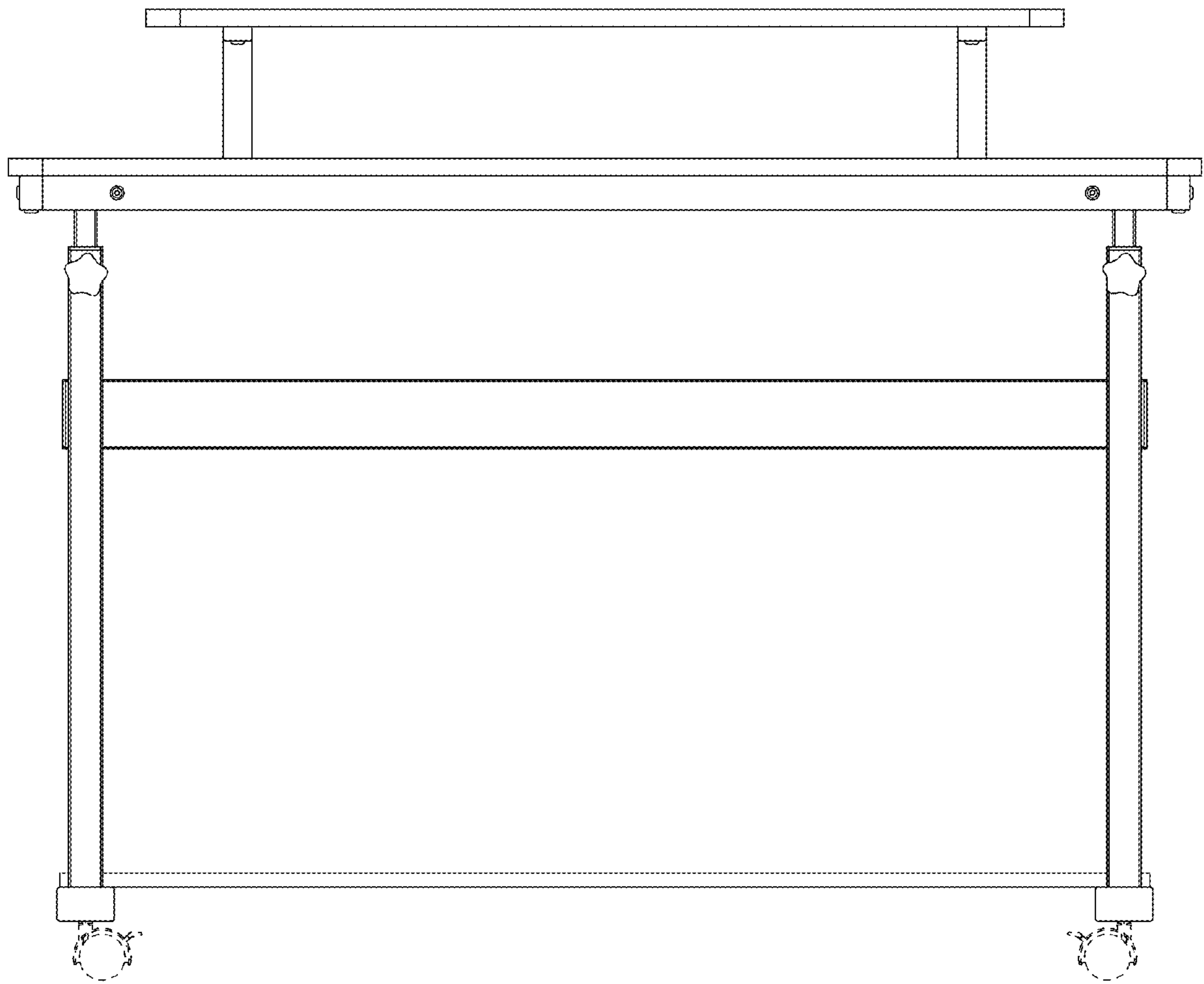


FIG.3

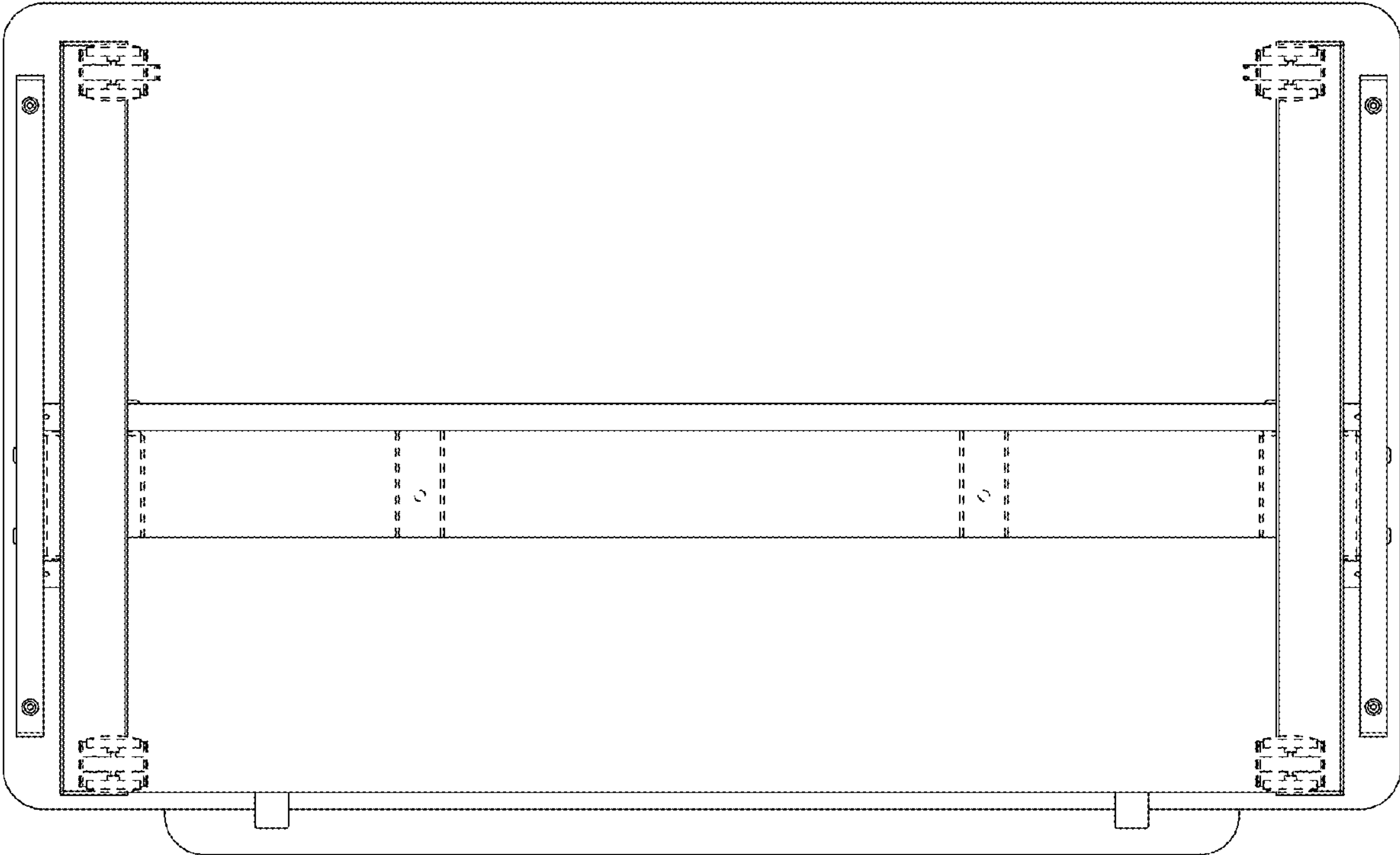


FIG.4



FIG.5

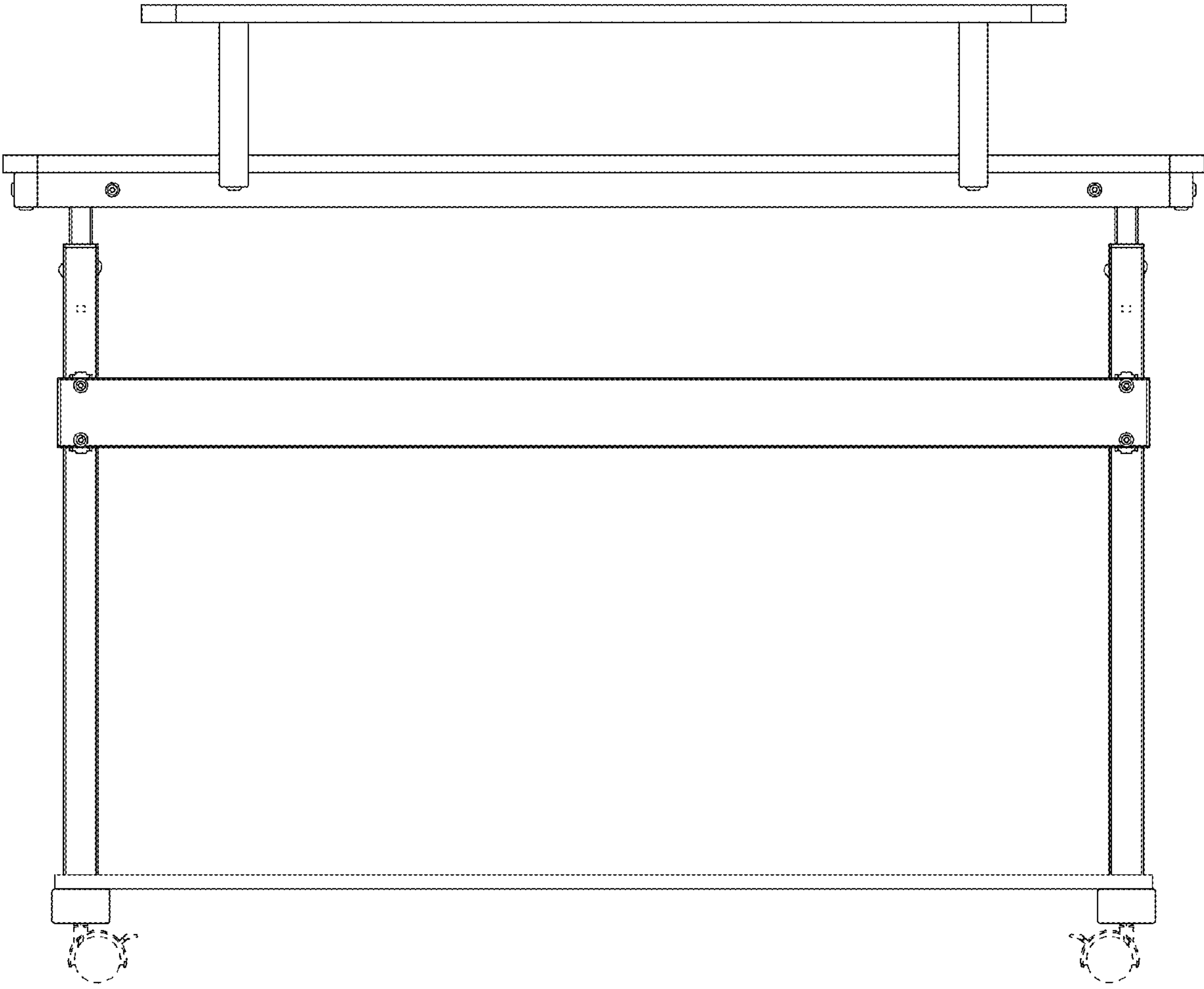


FIG.6

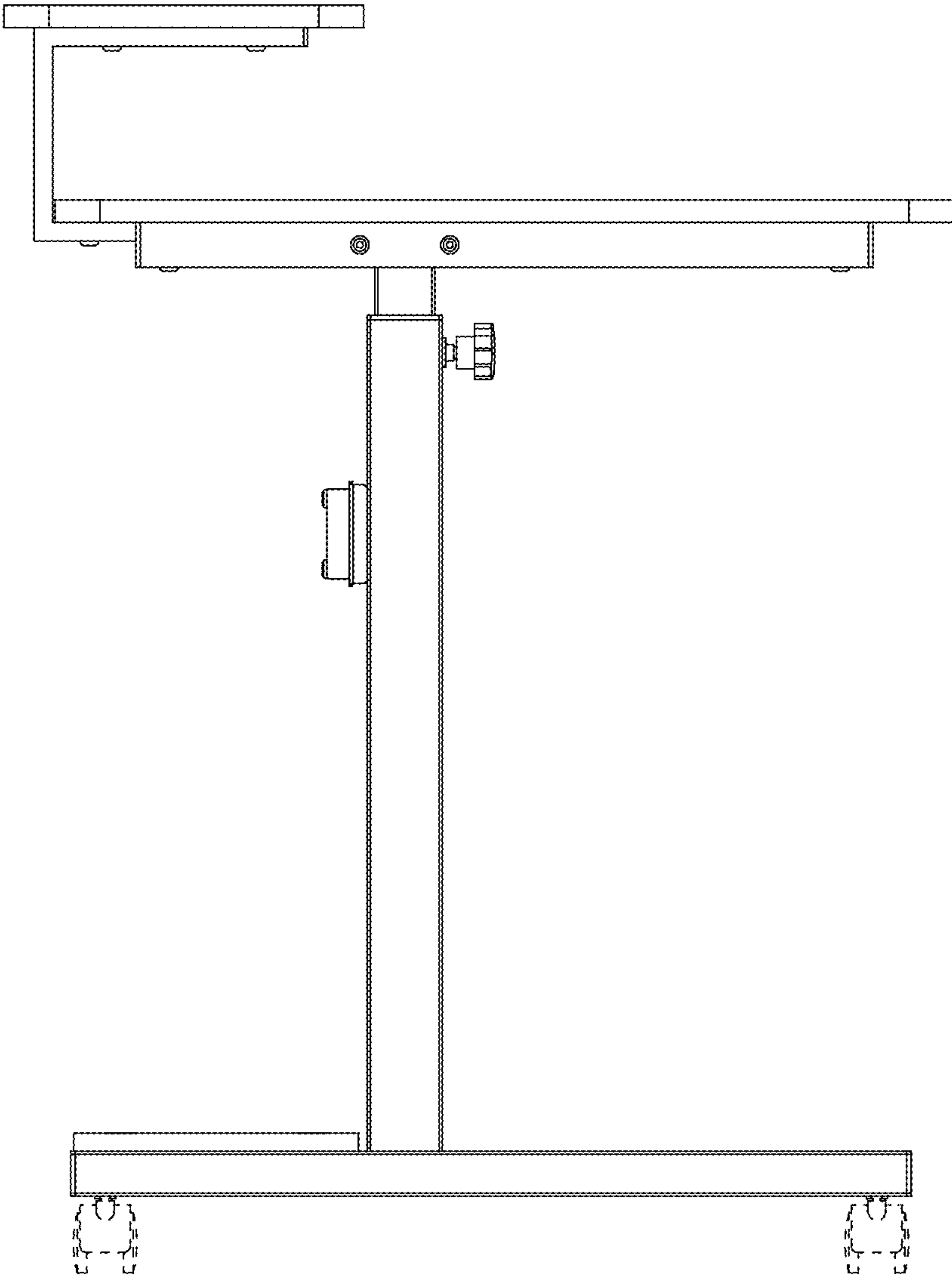


FIG.7

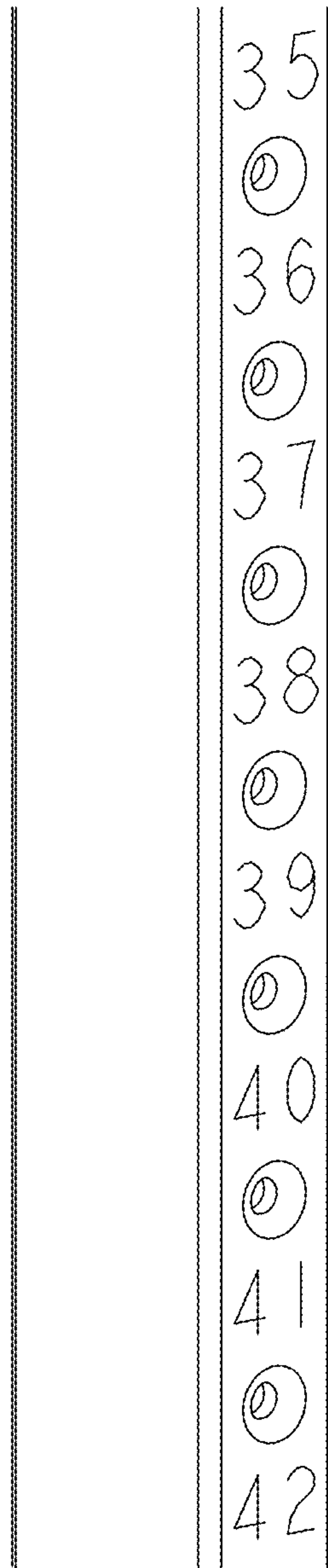


FIG.8