

US00D947572S

(12) **United States Design Patent**
Wu

(10) **Patent No.:** **US D947,572 S**

(45) **Date of Patent:** **** Apr. 5, 2022**

(54) **WALL MOUNTED RACK**

(71) Applicant: **Yuanyuan Wu**, Longgang (CN)

(72) Inventor: **Yuanyuan Wu**, Longgang (CN)

(**) Term: **15 Years**

(21) Appl. No.: **29/782,499**

(22) Filed: **May 7, 2021**

(51) **LOC (13) Cl.** **06-04**

(52) **U.S. Cl.**
USPC **D6/567**; D19/90

(58) **Field of Classification Search**
USPC D3/297, 298, 306, 310; D6/567, 573,
D6/571, 671.1, 672, 675, 675.4, 682, 683,
D6/683.1, 553, 566, 675.2, 675.5;
D7/601, 631, 634; D19/90-92, 75,
D19/77-80, 86-87
CPC .. B43M 99/00; B43M 99/001; B43M 99/007;
B43M 99/008; B43M 99/009
See application file for complete search history.

D851,965 S 6/2019 Chiang
D869,556 S * 12/2019 Lai D19/90
D872,500 S * 1/2020 Chiang D6/574
D875,832 S * 2/2020 Chiang D19/113
D890,553 S * 7/2020 Walker D6/672
D901,933 S * 11/2020 Chiang D6/553
D905,467 S * 12/2020 Rubin D6/570
D906,423 S * 12/2020 Lai D19/90
D907,944 S * 1/2021 Chiang D6/672
D920,003 S * 5/2021 Pan D6/572
D922,092 S * 6/2021 Chiang D6/571
D922,794 S * 6/2021 Chiang D6/573
D925,255 S * 7/2021 Walker D6/672

OTHER PUBLICATIONS

Amazon.com, WPKLTMZ Key and Mail Holder for Wall, Jul. 1, 2021, <https://www.amazon.com/WPKLTMZ-Key-Mail-Holder-Wall/dp/B098F1QZQP/> (Year: 2021).*

* cited by examiner

Primary Examiner — Nathan M Johnston
(74) *Attorney, Agent, or Firm* — True Shepherd LLC;
Andrew C. Cheng

(56) **References Cited**

U.S. PATENT DOCUMENTS

D176,253 S * 12/1955 Freed D6/568
D267,608 S * 1/1983 Brescia D19/113
D267,842 S * 2/1983 Brescia D6/570
D278,493 S * 4/1985 Brescia D20/42
D290,661 S * 7/1987 Appel D19/78
D390,263 S * 2/1998 Jack D19/113
D391,296 S * 2/1998 Hill, Sr. D19/86
D555,406 S * 11/2007 Burt D6/567
D673,404 S * 1/2013 Grandidier D6/569
D688,065 S * 8/2013 Emerson D6/567
D700,454 S * 3/2014 Callif D6/567
D704,958 S * 5/2014 Callif D6/567
D712,679 S * 9/2014 Collins D6/569
D712,680 S * 9/2014 Soldan D6/569
D769,023 S 10/2016 Tsai
D813,567 S 3/2018 Browning

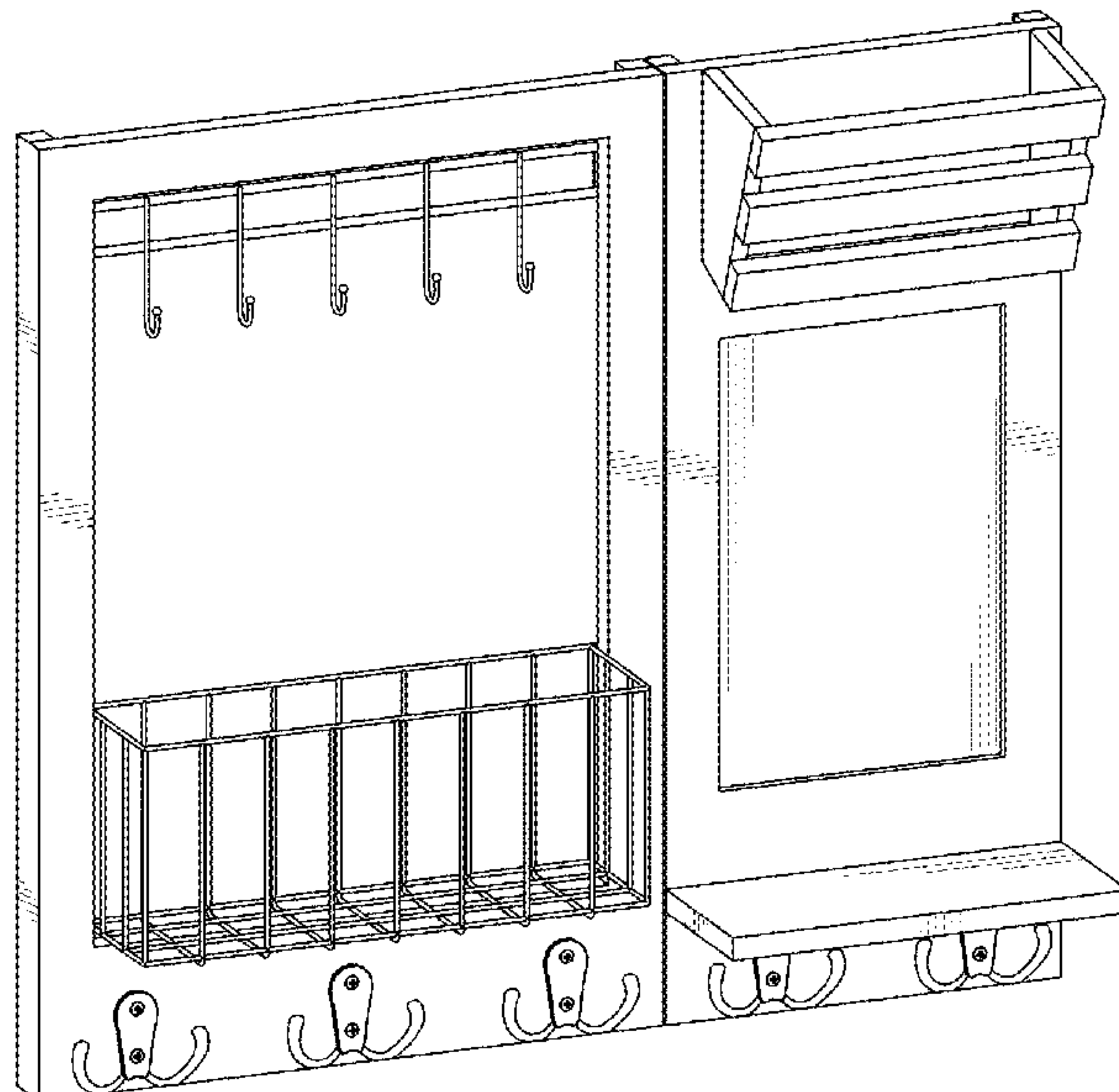
(57) **CLAIM**

The ornamental design for a wall mounted rack, as shown and described.

DESCRIPTION

FIG. 1 is a perspective view of a wall mounted rack showing my new design;
FIG. 2 is another perspective view thereof;
FIG. 3 is a front view thereof;
FIG. 4 is a rear view thereof;
FIG. 5 is a left side view thereof;
FIG. 6 is a right side view thereof;
FIG. 7 is a top plan view thereof; and,
FIG. 8 is a bottom plan view thereof.

1 Claim, 8 Drawing Sheets



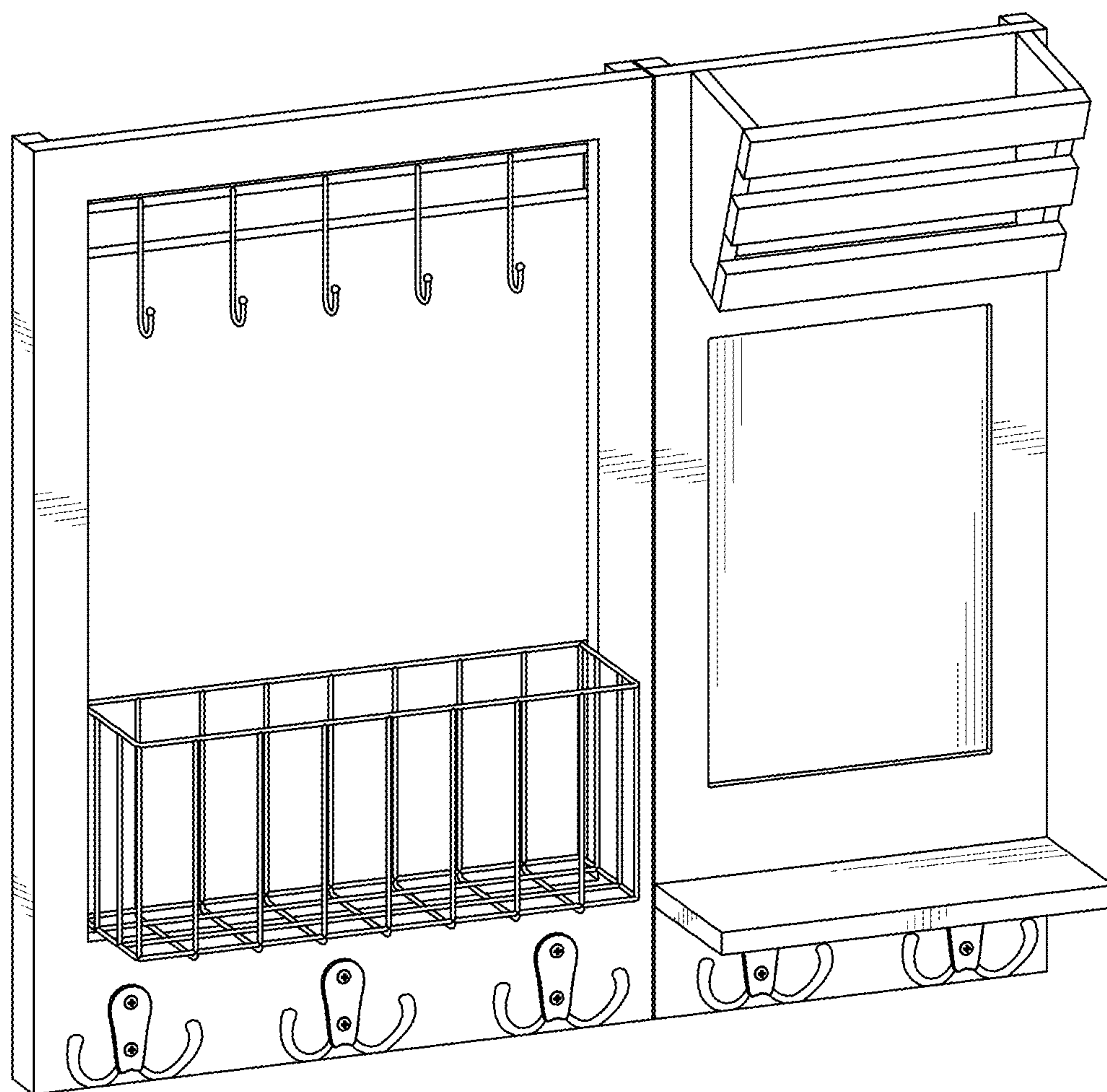


FIG. 1

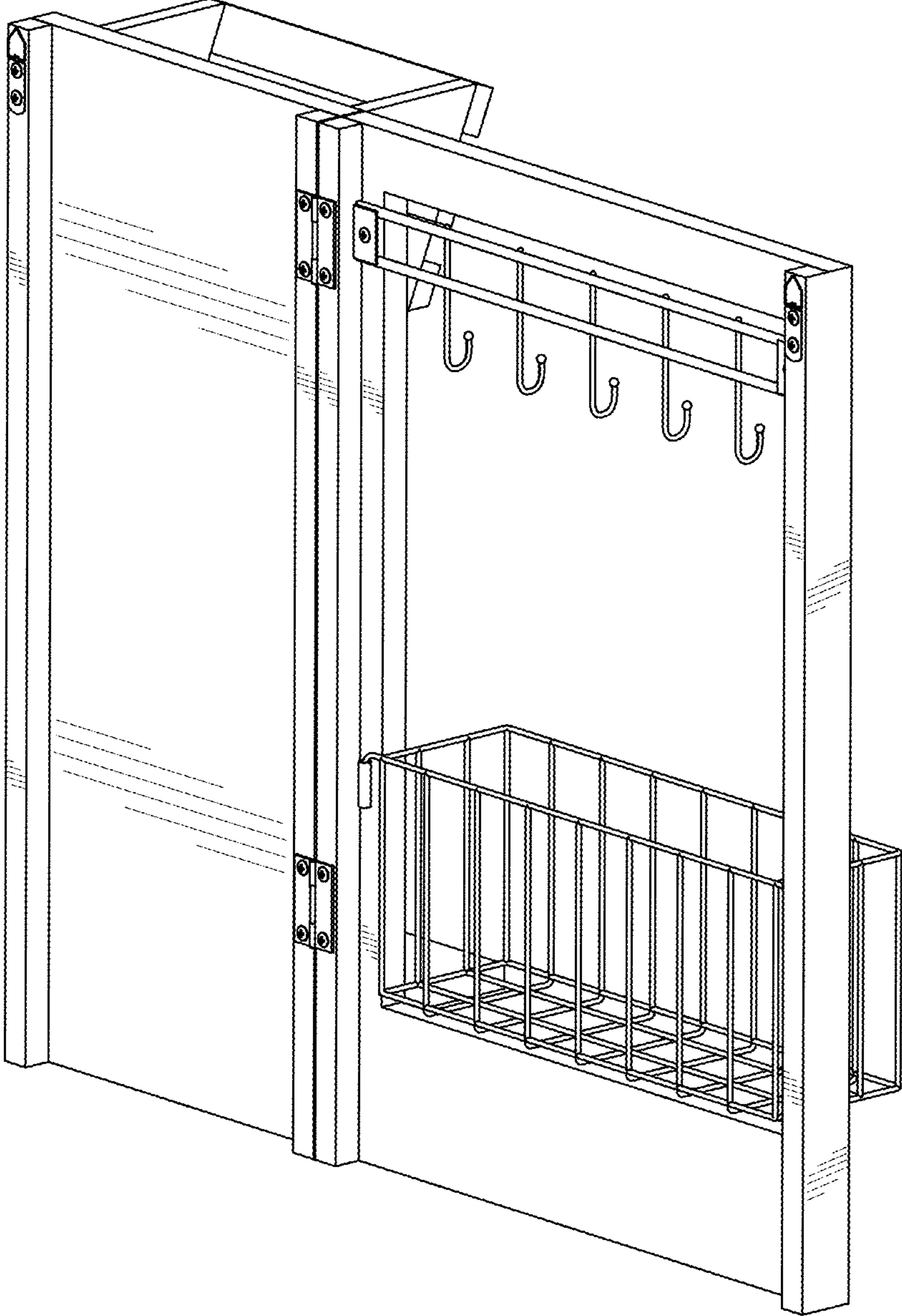


FIG. 2

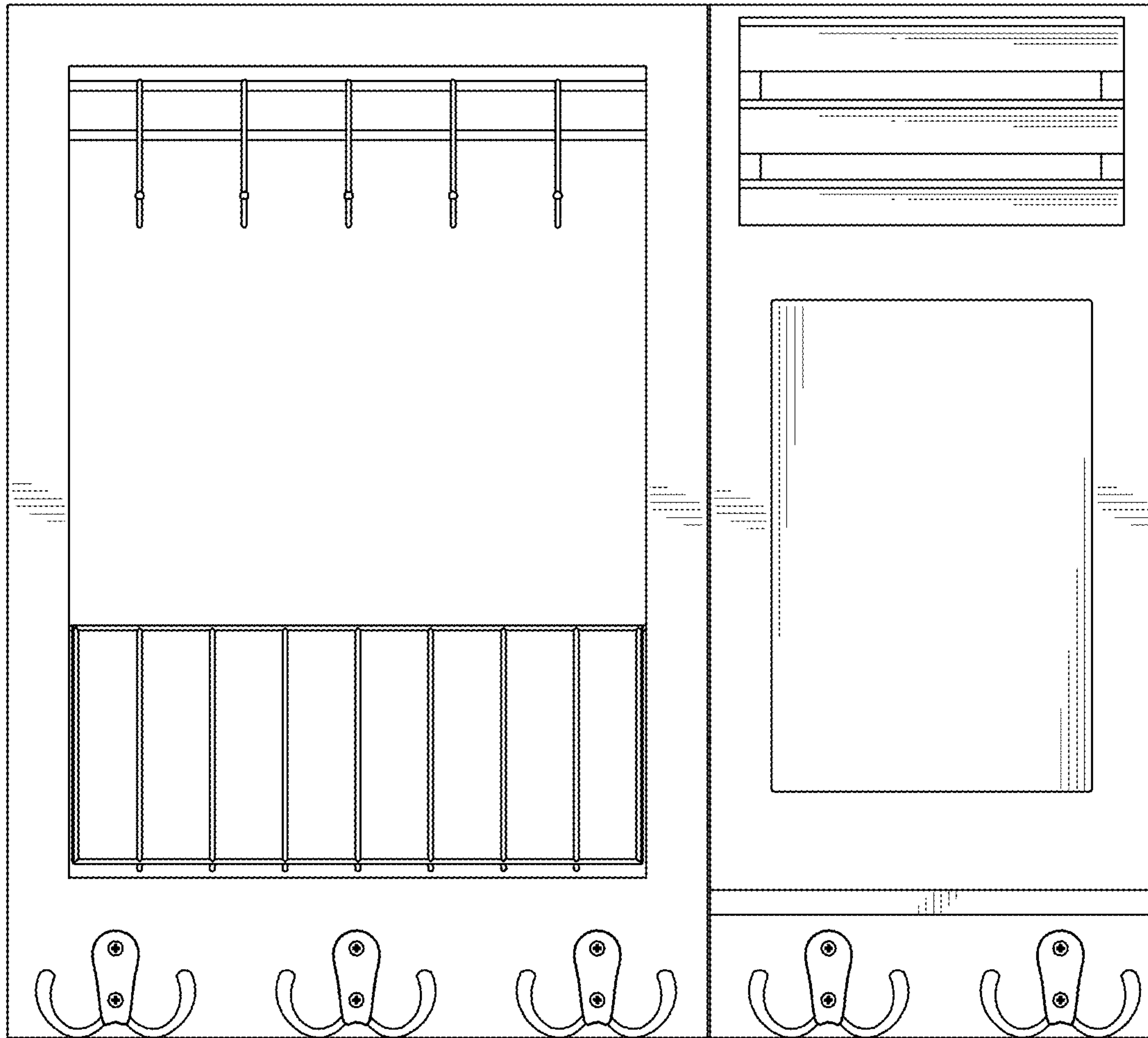


FIG. 3

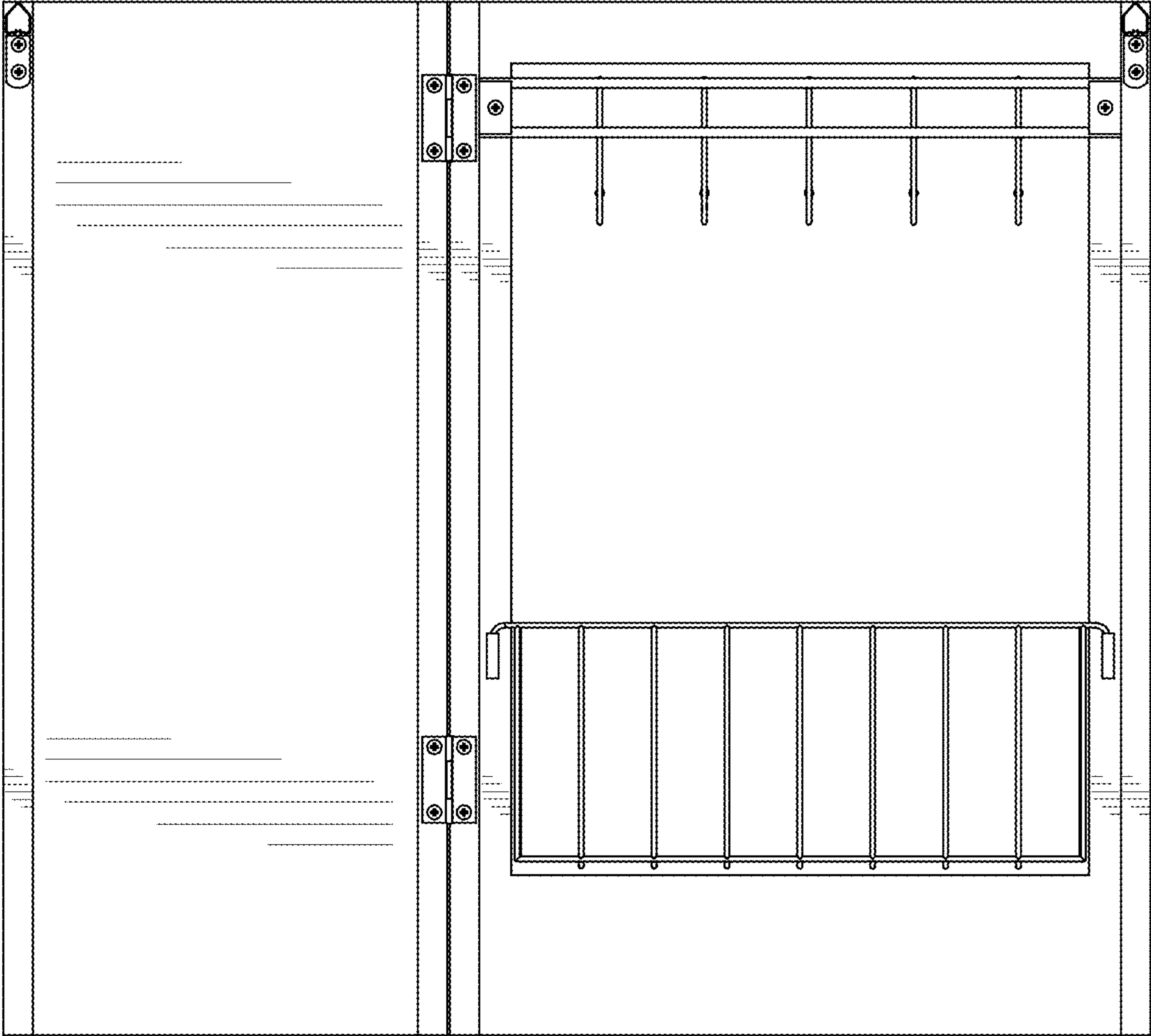


FIG. 4

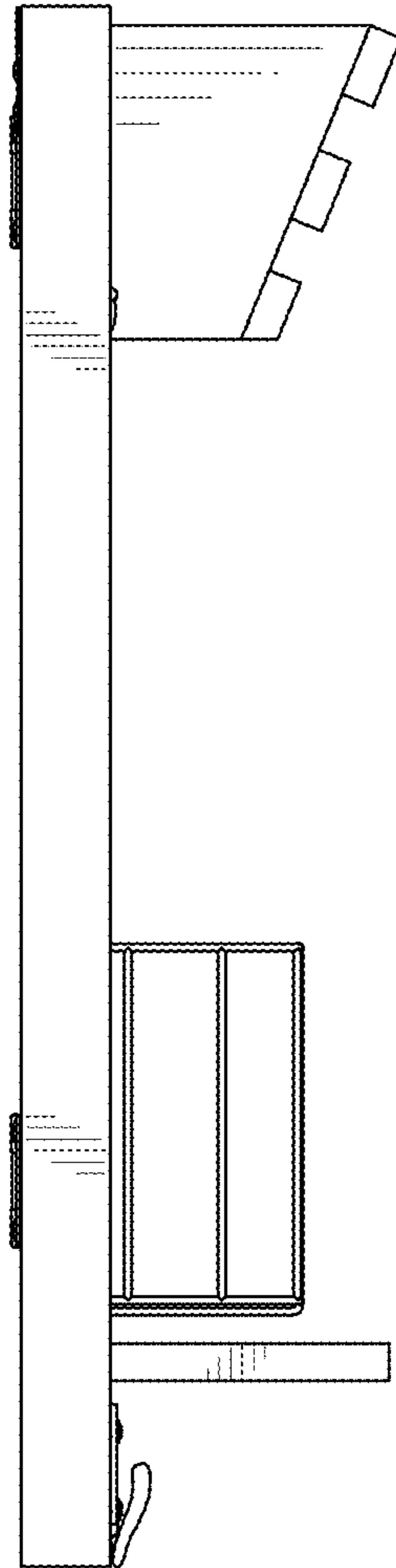


FIG. 5

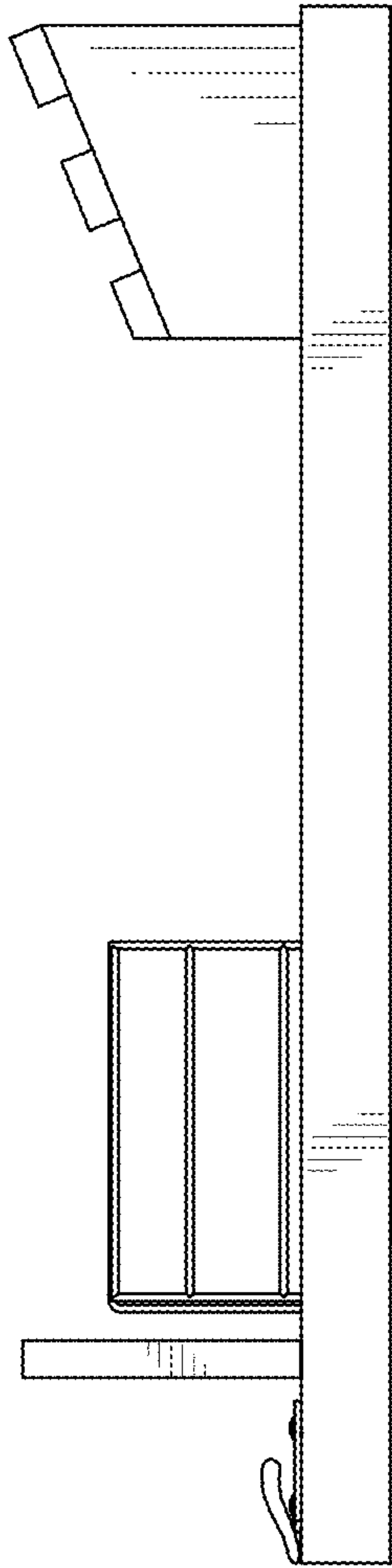


FIG. 6

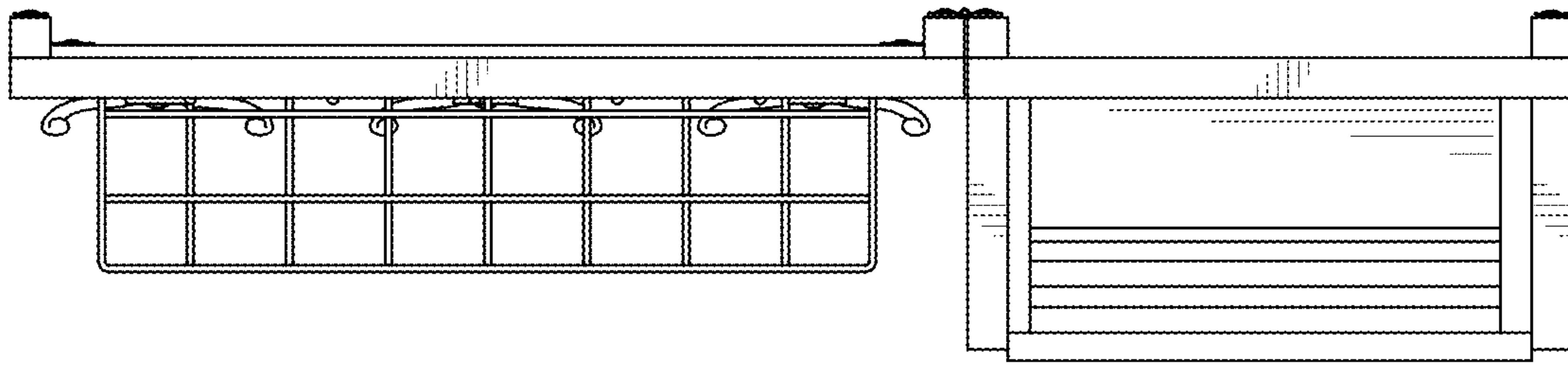


FIG. 7

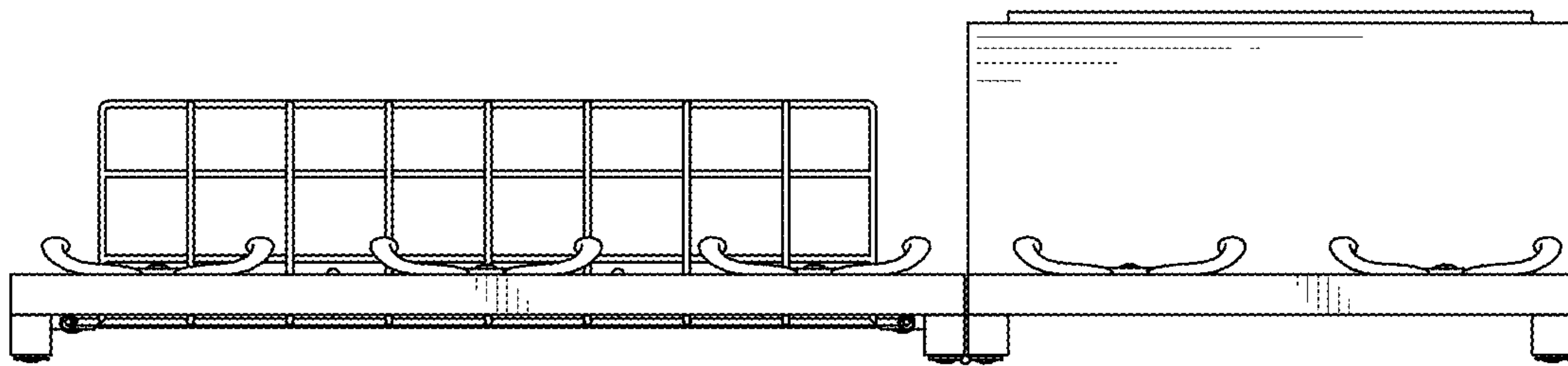


FIG. 8