



US00D947571S

(12) **United States Design Patent**
Kappler

(10) **Patent No.:** **US D947,571 S**

(45) **Date of Patent:** **** *Apr. 5, 2022**

(54) **OVAL SWIVELING TABLE**

(71) Applicant: **Holger Kappler**, Pfalzgrafenweiler
(DE)

(72) Inventor: **Holger Kappler**, Pfalzgrafenweiler
(DE)

(*) Notice: This patent is subject to a terminal disclaimer.

(**) Term: **15 Years**

(21) Appl. No.: **29/540,446**

(22) Filed: **Sep. 24, 2015**

(51) **LOC (13) Cl.** **06-03**

(52) **U.S. Cl.**
USPC **D6/555**

(58) **Field of Classification Search**
USPC D6/555, 612, 618, 641, 648, 694, 685,
D6/692-692.6, 681.3, 686, 513; 108/29,
108/115, 123, 140, 152; 248/349.1,
248/354.1, 495; D24/177
CPC A47B 3/12; A47B 313/023; A47B 313/06;
B65B 67/12
See application file for complete search history.

(56) **References Cited**

U.S. PATENT DOCUMENTS

D246,534 S * 11/1977 Buckley D24/177
D311,829 S * 11/1990 Vossoughi D6/513

D511,913 S * 11/2005 Kearl D6/686
D643,042 S * 8/2011 Saelid D14/452
D665,502 S * 8/2012 Frenkler D24/177
D691,840 S * 10/2013 Copeland D6/691.4
D735,492 S * 8/2015 Coffman D6/555
D775,860 S * 1/2017 Morgan D6/555
D805,232 S * 12/2017 Volek D26/63
2013/0284077 A1 * 10/2013 Copeland A47B 3/08
108/117

* cited by examiner

Primary Examiner — Nathan M Johnston

(74) *Attorney, Agent, or Firm* — Pryor Cashman LLP

(57) **CLAIM**

The ornamental design for an oval swiveling table substantially, as shown and described.

DESCRIPTION

FIG. 1 is a perspective right side view of the design;
FIG. 2 is a perspective left side view of the design;
FIG. 3 is a top view of the design;
FIG. 4 is a front view of the design;
FIG. 5 is a back view of the design; and,
FIG. 6 is a side view of the design.
The portions shown in dotted lines are not part of the claimed invention.

1 Claim, 6 Drawing Sheets

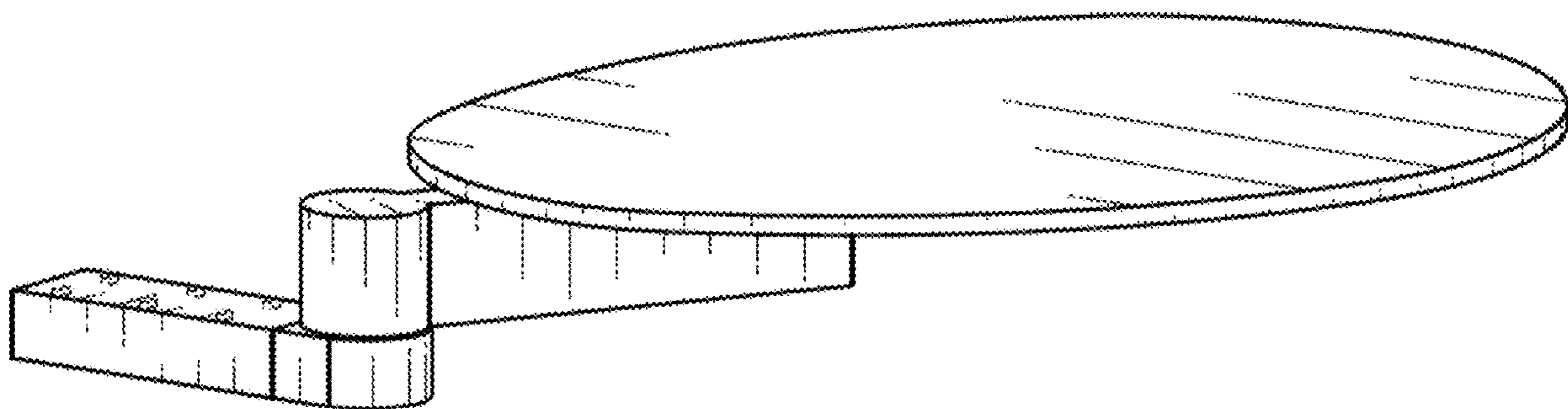


Figure 1

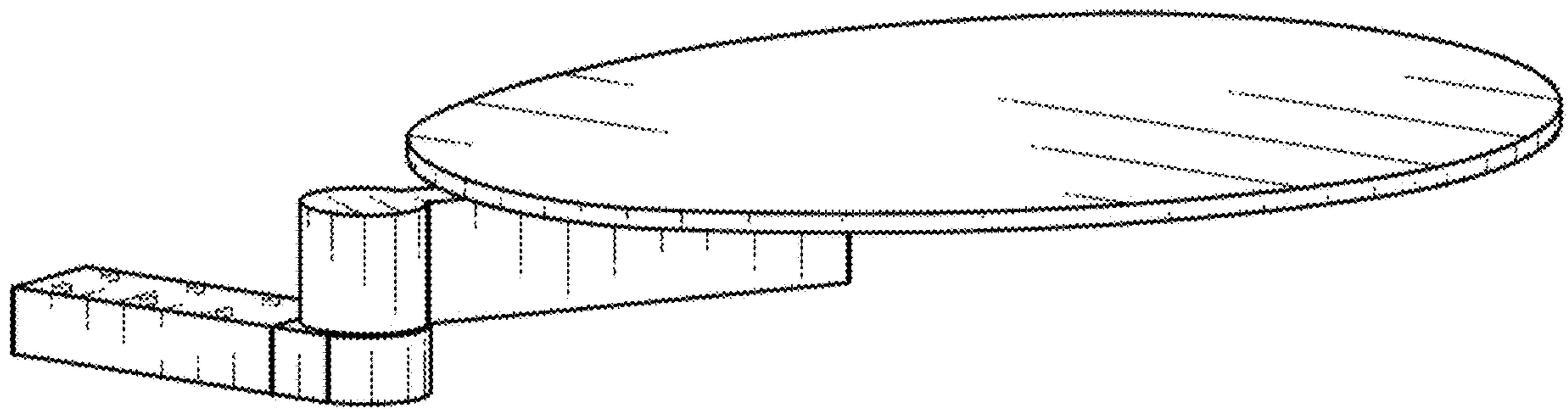


Figure 2

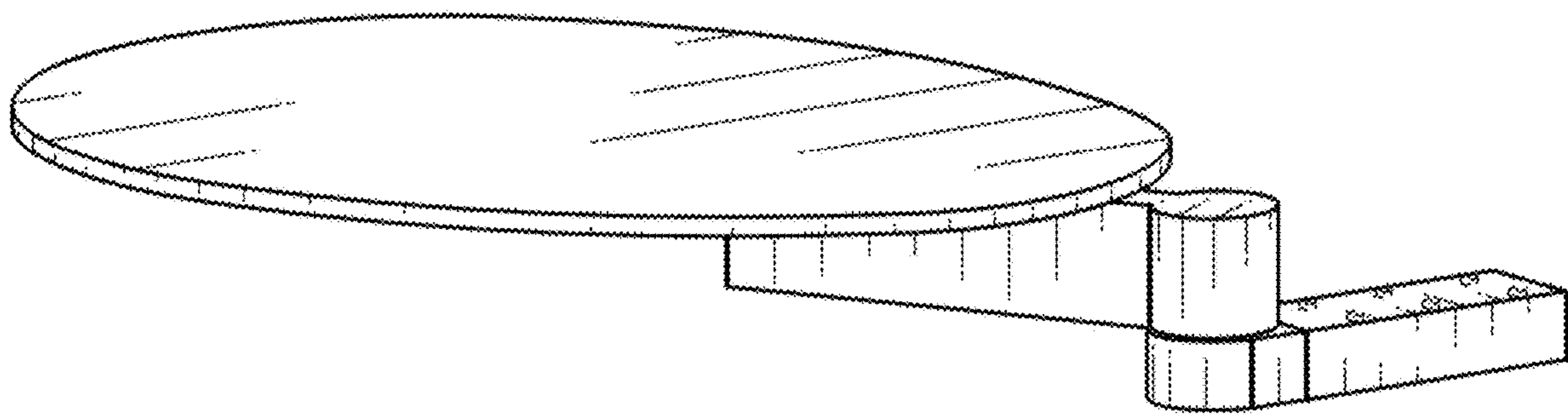


Figure 3

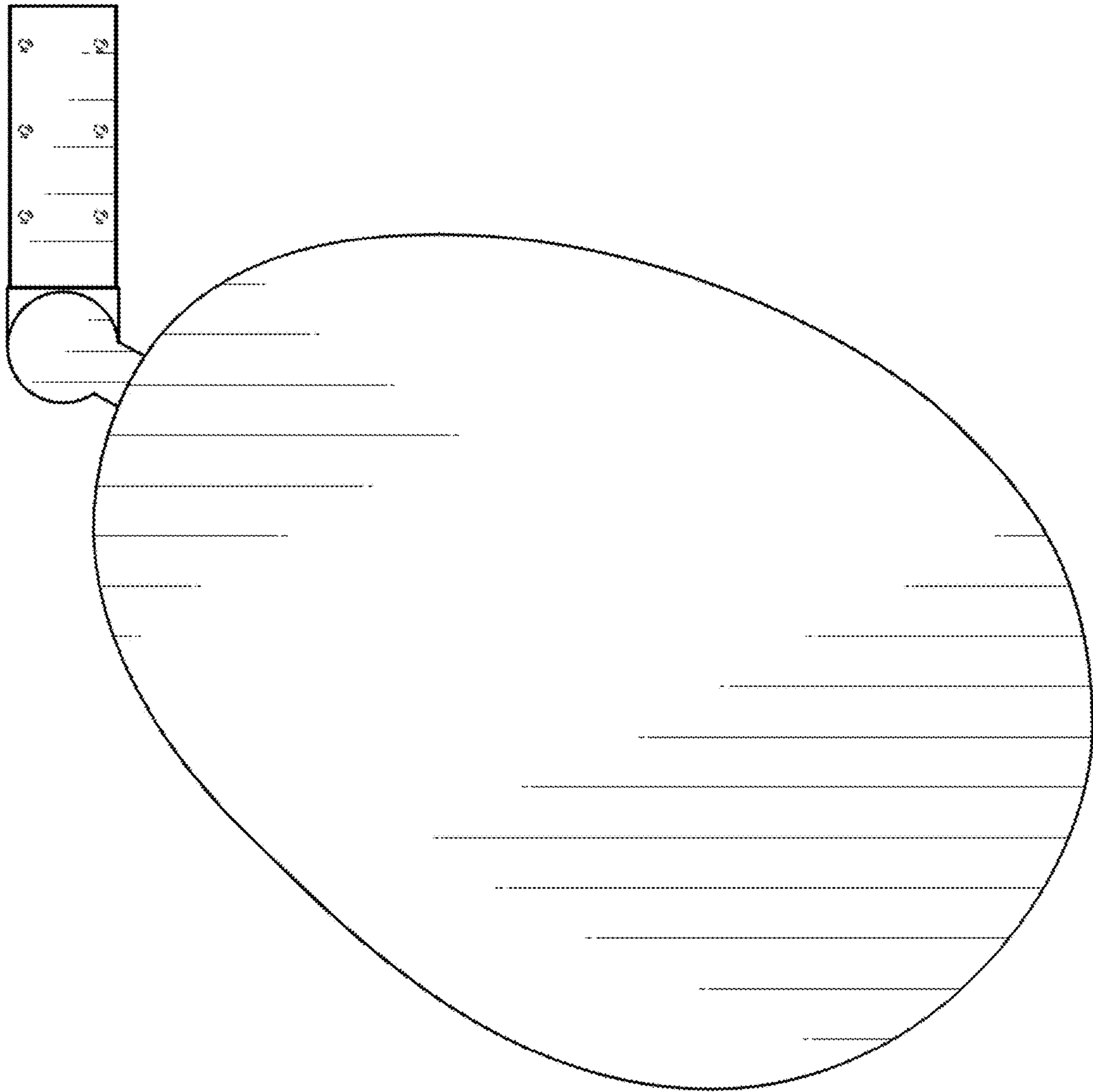


Figure 4

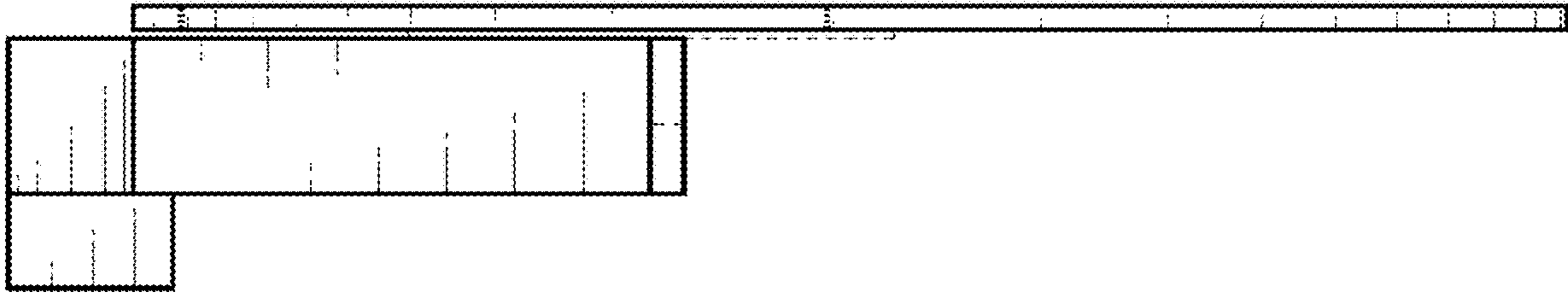


Figure 5

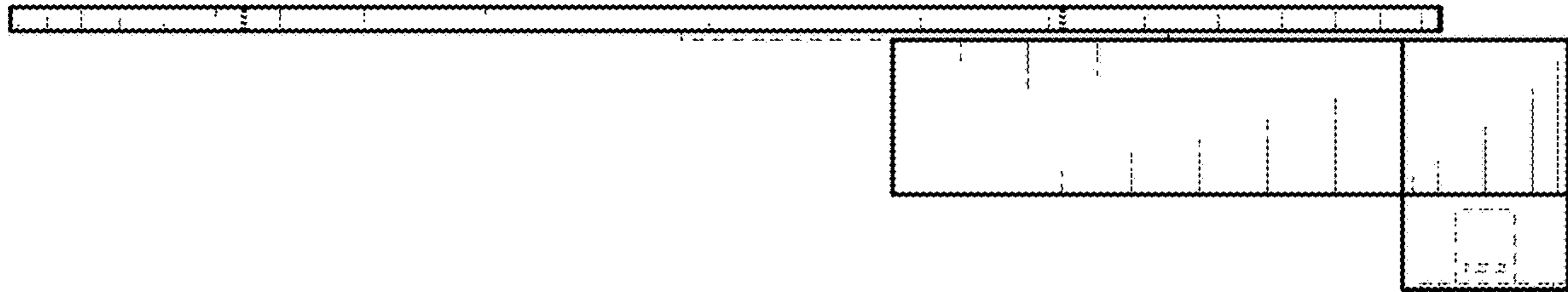


Figure 6

