



US00D947569S

(12) **United States Design Patent**  
**Chen**

(10) **Patent No.:** **US D947,569 S**

(45) **Date of Patent:** **\*\* Apr. 5, 2022**

(54) **TOOTHBRUSH HOLDER**

(71) Applicant: **XIAMEN FUFENGZHI INDUSTRIAL TRADING CO., LTD.**, Fujian (CN)

(72) Inventor: **Wei Chen**, Fujian (CN)

(73) Assignee: **XIAMEN FUFENGZHI INDUSTRIAL TRADING CO., LTD.**, Xiamen (CN)

(\*\*) Term: **15 Years**

(21) Appl. No.: **29/769,676**

(22) Filed: **Feb. 7, 2021**

(51) **LOC (13) Cl.** ..... **23-02**

(52) **U.S. Cl.**  
USPC ..... **D6/534**

(58) **Field of Classification Search**  
USPC ..... D6/534, 510, 528, 524, 526, 527;  
D4/113, 199, 108; D28/66, 91.1;  
206/63.5, 209, 209.1, 362.2, 368, 581;  
15/184; 132/308-311  
CPC .... A47B 88/20; A45D 44/18; A46B 15/0008;  
A46B 15/0002; G09B 19/0084; A47J  
47/16; A47J 47/20; A47K 10/04; A47L  
19/02; A47L 17/02; E03C 1/186  
See application file for complete search history.

(56) **References Cited**

**U.S. PATENT DOCUMENTS**

D100,557 S \* 7/1936 Groos ..... D28/73  
D155,348 S \* 9/1949 Kuhl ..... D28/91.1

D189,548 S \* 1/1961 Gershen ..... D28/66  
D264,782 S \* 6/1982 Thompson ..... D6/524  
5,163,561 A \* 11/1992 Fitzgerald ..... A46B 5/0095  
15/145  
D408,588 S \* 4/1999 Zorovich ..... D28/66  
D478,230 S 8/2003 Dretzka  
D545,062 S 6/2007 Nagoya  
D549,880 S \* 8/2007 Tran ..... D28/65  
D646,897 S \* 10/2011 Nanda ..... D4/113  
8,286,790 B1 \* 10/2012 McBryar ..... B44D 3/006  
206/362  
D701,394 S \* 3/2014 Lin ..... D6/534  
D833,079 S \* 11/2018 Fang ..... D28/91.1  
2021/0100334 A1 \* 4/2021 Petrov ..... A45D 34/00  
2021/0105390 A1 \* 4/2021 Chen ..... H04N 5/2254

\* cited by examiner

*Primary Examiner* — Nathan M Johnston

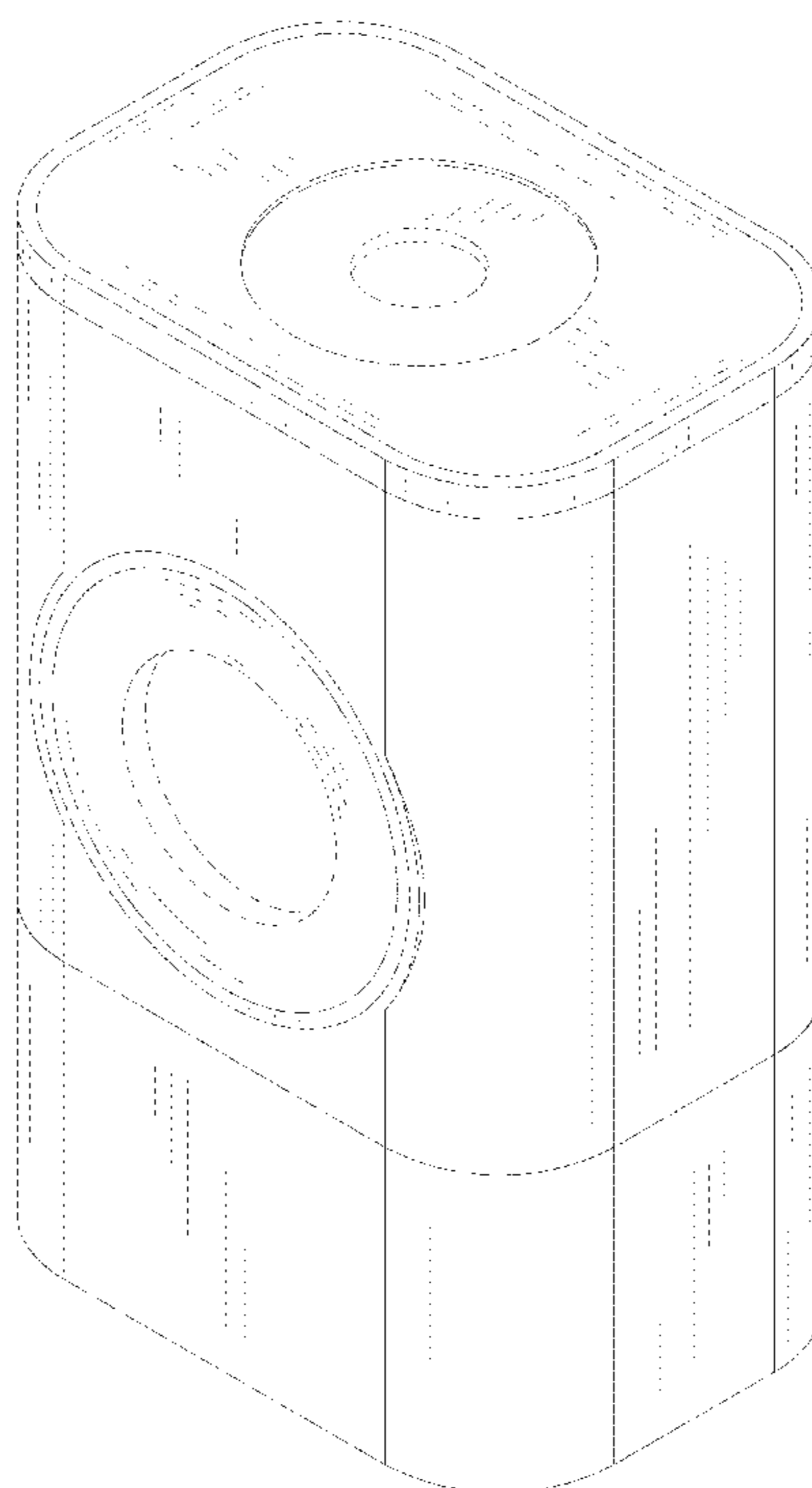
(57) **CLAIM**

The ornamental design for a toothbrush holder, as shown and described.

**DESCRIPTION**

FIG. 1 is a perspective view of a toothbrush holder showing my new design;  
FIG. 2 is an alternative perspective view thereof;  
FIG. 3 is a front view thereof;  
FIG. 4 is a rear view thereof;  
FIG. 5 is a left side view thereof;  
FIG. 6 is a right side view thereof;  
FIG. 7 is a top view thereof; and,  
FIG. 8 is a bottom view thereof.  
The broken lines in the drawing depict unclaimed portions of the design and form no part of the claimed design.

**1 Claim, 8 Drawing Sheets**



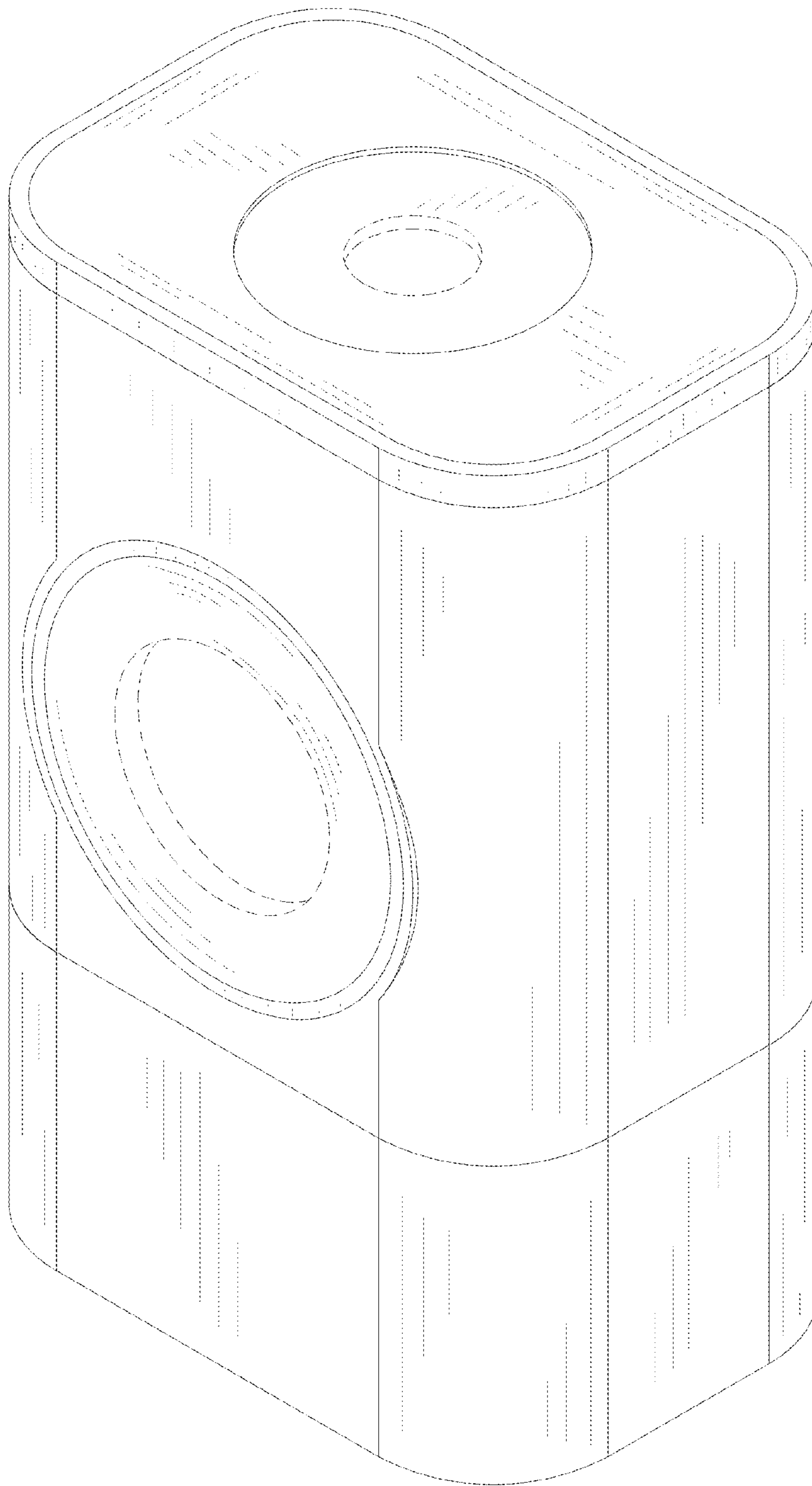


FIG.1

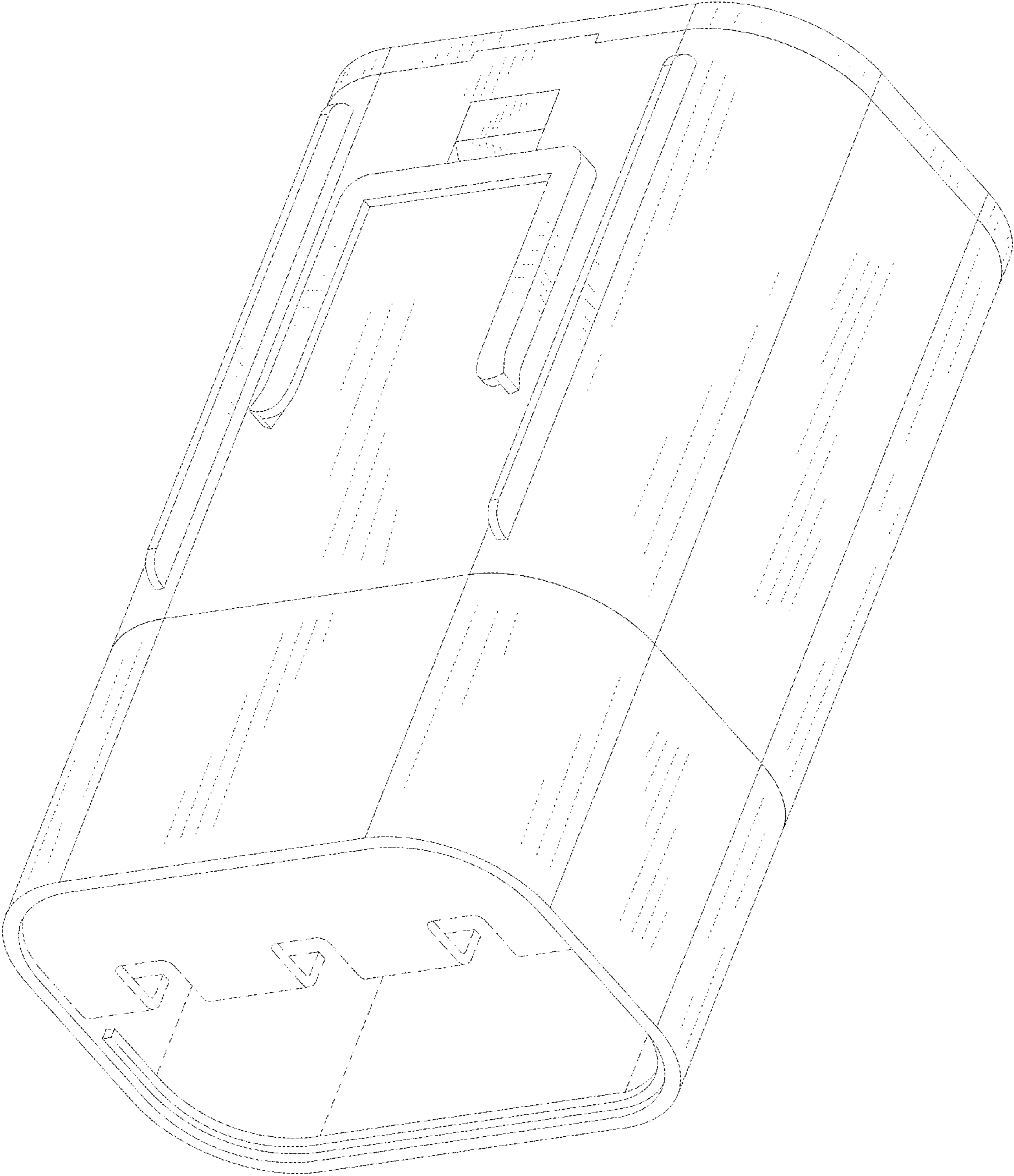


FIG.2

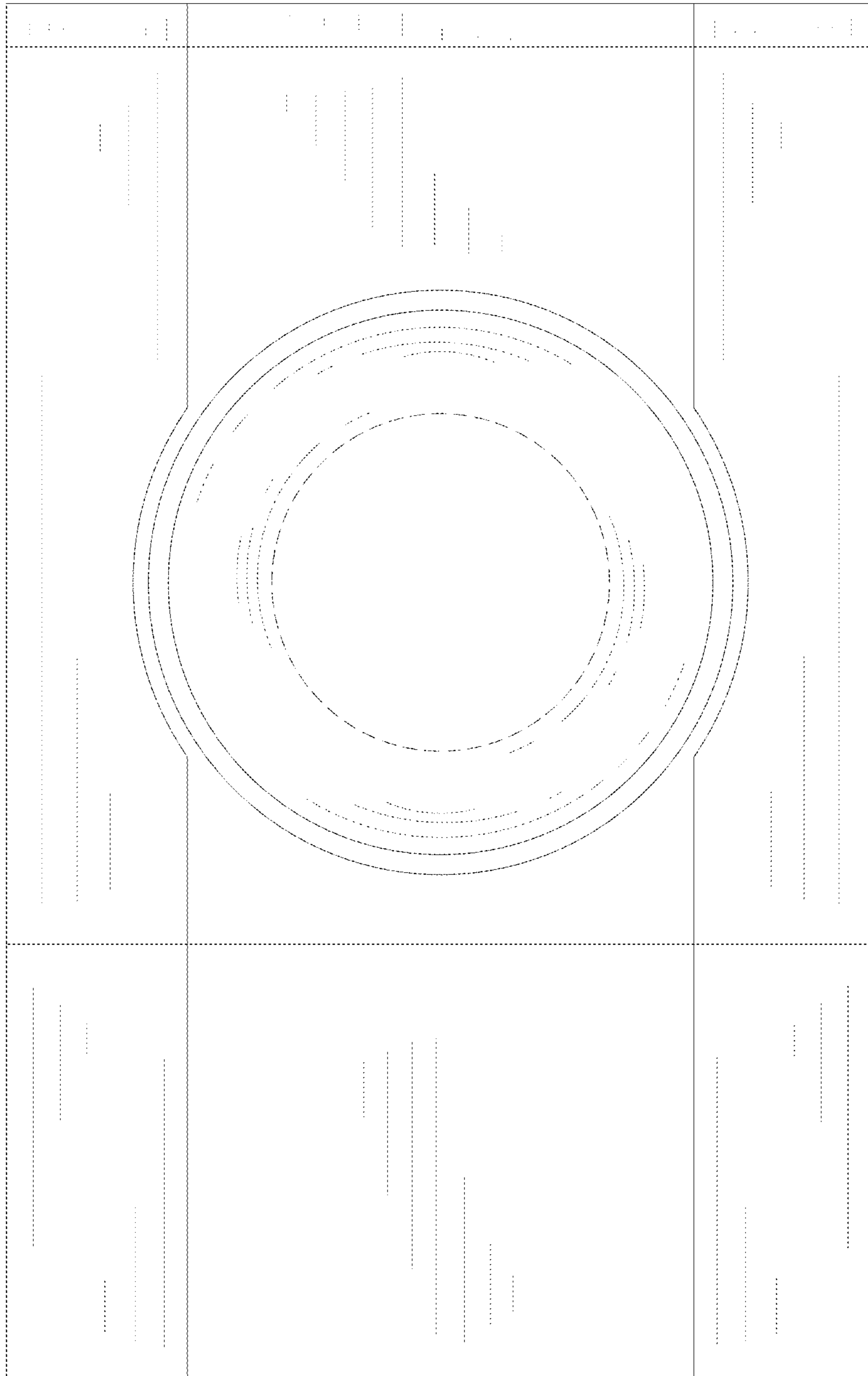


FIG. 3

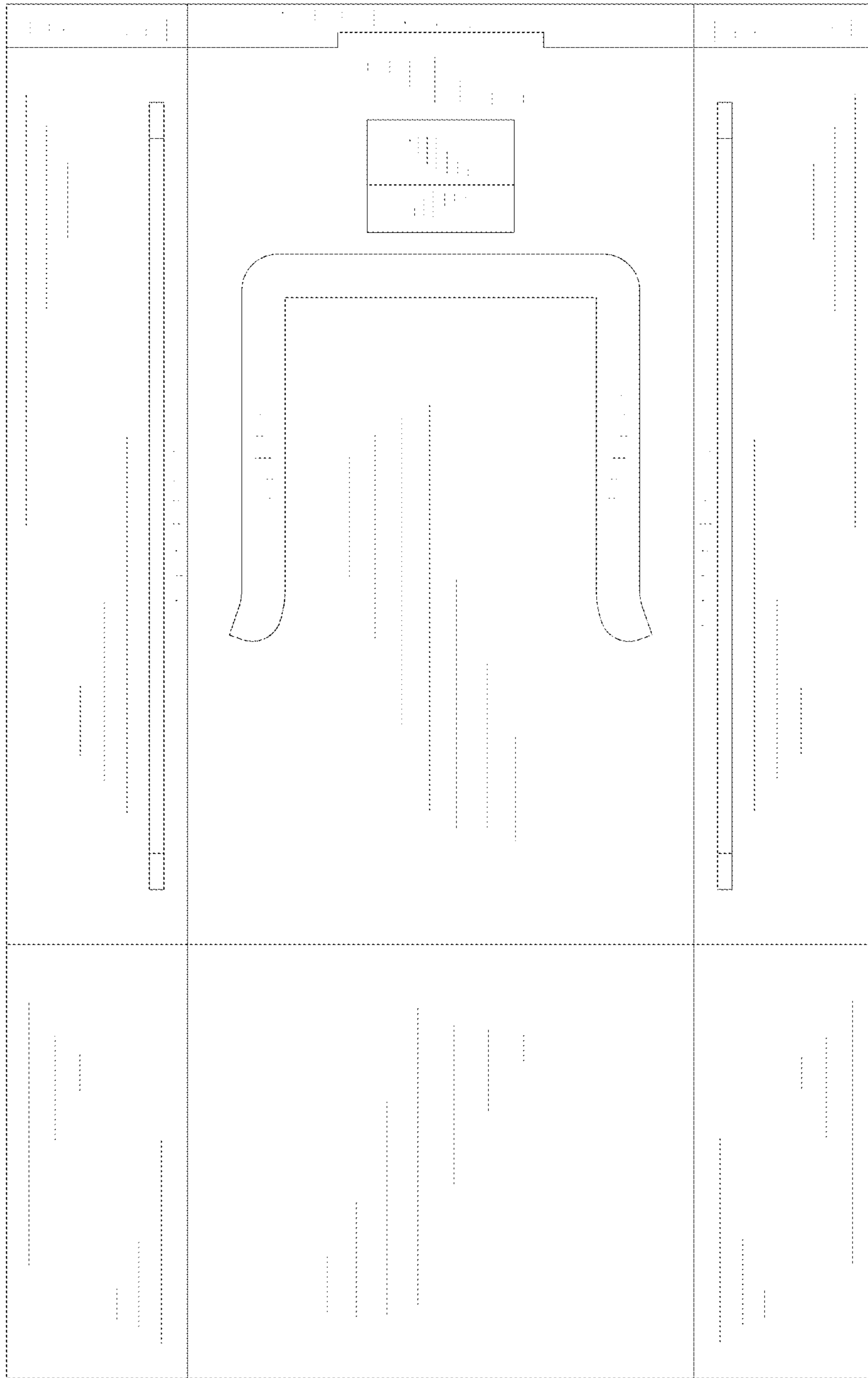


FIG. 4

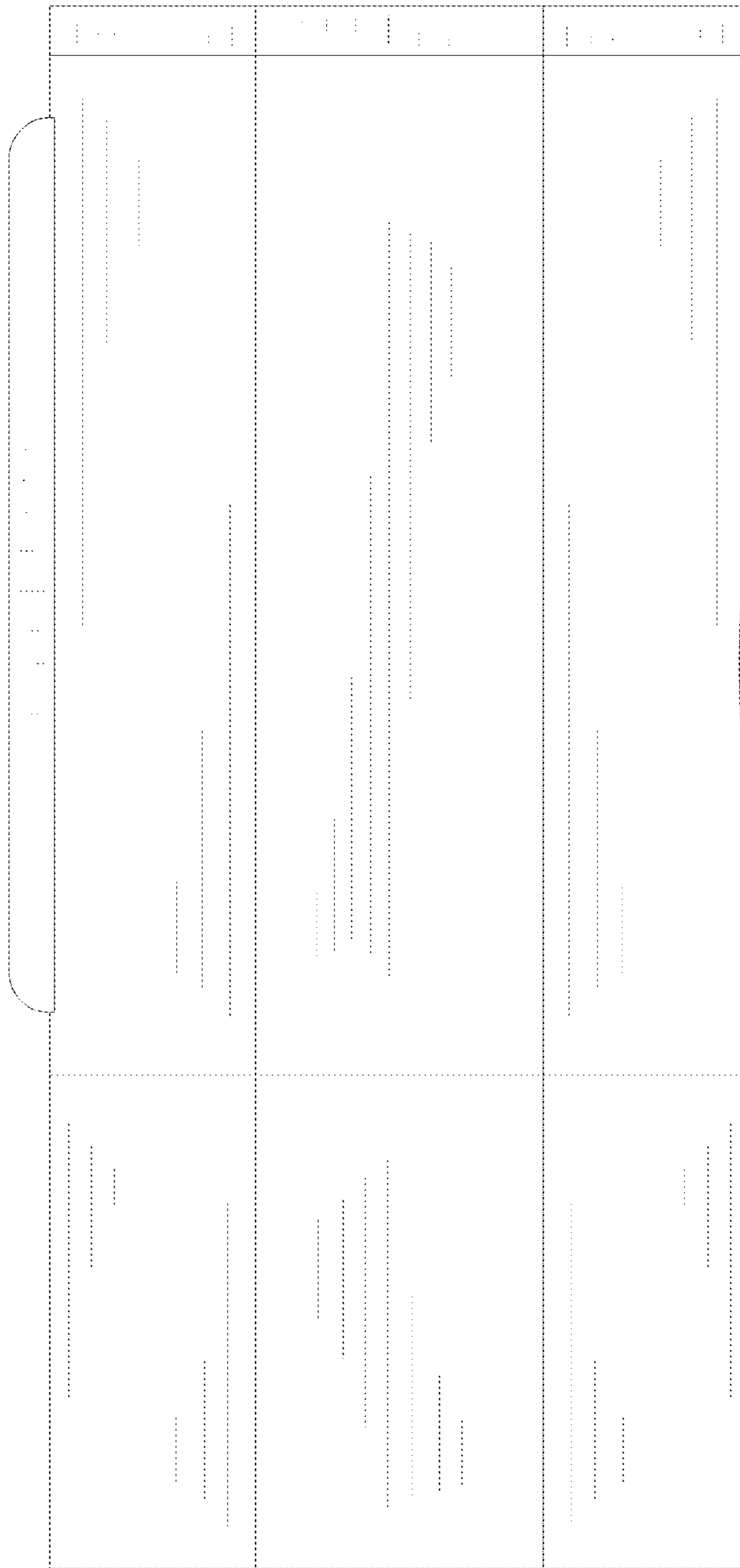


FIG. 5

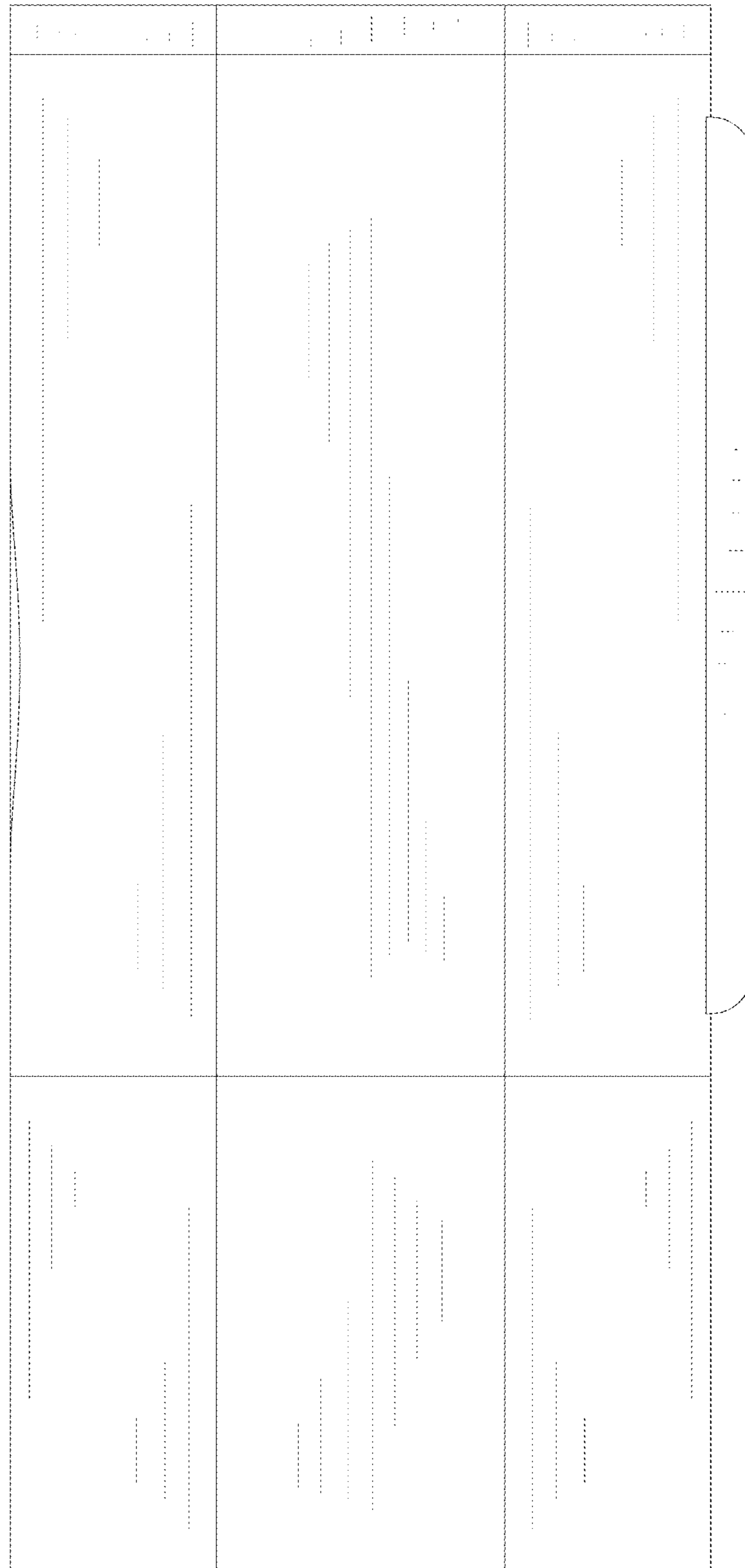


FIG. 6

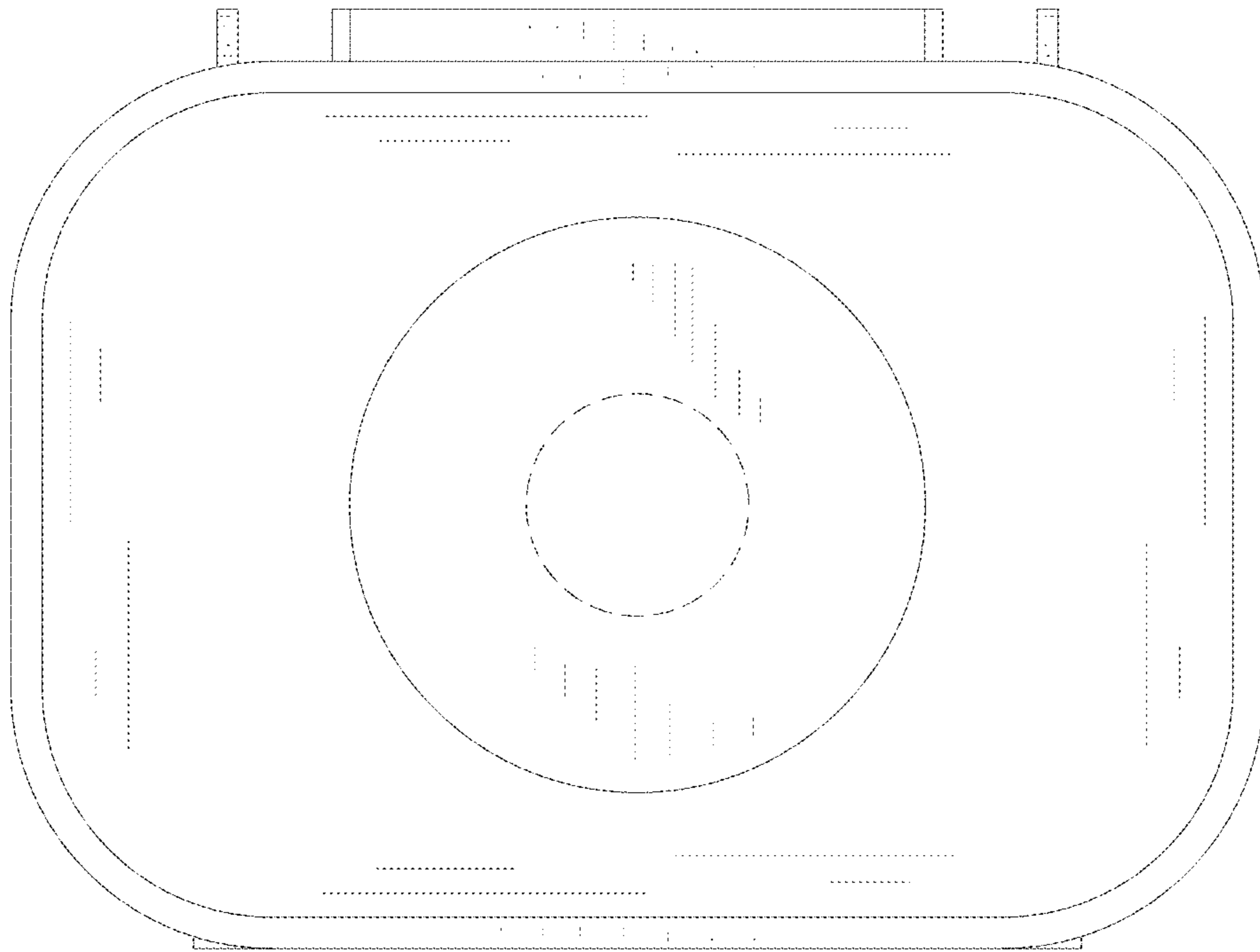


FIG. 7



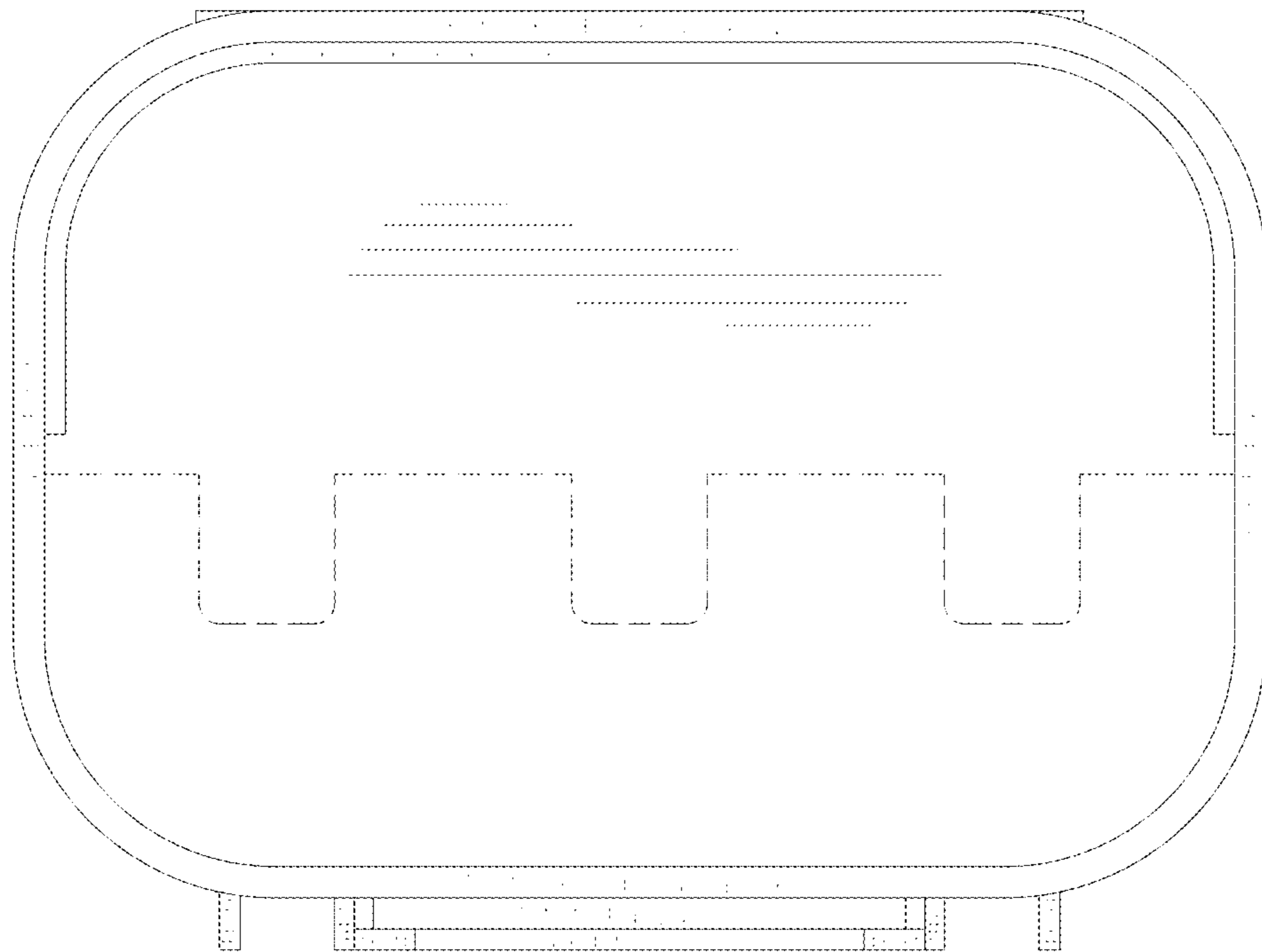


FIG. 8