

US00D947568S

(12) **United States Design Patent** (10) **Patent No.:** **US D947,568 S**  
**Jin** (45) **Date of Patent:** **\*\* Apr. 5, 2022**

(54) **TOILET PLUNGER AND BRUSH KIT**

(71) Applicant: **Yidan Jin**, Shenzhen (CN)

(72) Inventor: **Yidan Jin**, Shenzhen (CN)

(\*\*) Term: **15 Years**

(21) Appl. No.: **29/778,544**

(22) Filed: **Apr. 14, 2021**

(51) **LOC (13) Cl.** ..... **23-03**

(52) **U.S. Cl.**

USPC ..... **D6/524**; D6/551

(58) **Field of Classification Search**

USPC ..... D6/551, 524, 525; D7/541, 555, 615;  
D8/80, 83, 94, 107, 300, 16, 19, 62, 90,  
D8/101; D32/40, 41, 42, 46, 49, 50, 51,  
D32/52, 57; D4/100, 102, 114, 117, 118,  
D4/119, 130-136, 138, 199; 206/207,  
206/349, 361; 312/206, 207; 4/255.05,  
4/255.11; 15/21.1, 143.1, 145, 159.1,  
15/160, 186-188; 132/120, 142, 313;  
D24/119, 146, 180, 200  
CPC ..... A47K 17/00; A47K 11/10; A47K 3/001;  
B65D 47/40; A46B 2200/304; A46B  
17/02; A46B 17/06; A46B 5/00; A46B  
5/0004; A46B 5/0016; A46B 11/00; A46B  
11/001; A46B 11/0006; A46B 2200/3006;  
A46B 2200/3093; A47L 13/10; A47L  
13/16; A47L 13/20; A47L 13/24; A47L  
13/254

See application file for complete search history.

(56) **References Cited**

**U.S. PATENT DOCUMENTS**

D488,439 S \* 4/2004 Orthey ..... D13/107  
D525,467 S \* 7/2006 Michelson ..... D6/524  
D629,635 S \* 12/2010 Raven ..... D6/524  
D661,101 S \* 6/2012 Du ..... D4/116  
D688,488 S \* 8/2013 Wang ..... D6/524  
D709,713 S \* 7/2014 Yang ..... D6/524

D717,066 S \* 11/2014 Deacon ..... D6/524  
D784,722 S \* 4/2017 Meier ..... D6/525  
D842,004 S \* 3/2019 Joseph ..... D6/525  
D860,555 S 9/2019 de Martrin-Donos  
D889,132 S 7/2020 Kuang  
D896,645 S \* 9/2020 Borel ..... D9/448  
D897,725 S \* 10/2020 Stelmarski ..... D6/524  
D910,169 S \* 2/2021 Rehm ..... D24/122  
2016/0000281 A1\* 1/2016 Butts ..... A47K 17/00  
206/349

**OTHER PUBLICATIONS**

Amazon.com, Mr. SIGA Toilet Plunger and Bowl Brush Combo for Bathroom Cleaning, May 30, 2020, <https://www.amazon.com/MR-SIGA-Toilet-Plunger-Bathroom-Cleaning/dp/B07XGKZ2RC/> (Year: 2020).\*

\* cited by examiner

*Primary Examiner* — Nathan M Johnston

(57) **CLAIM**

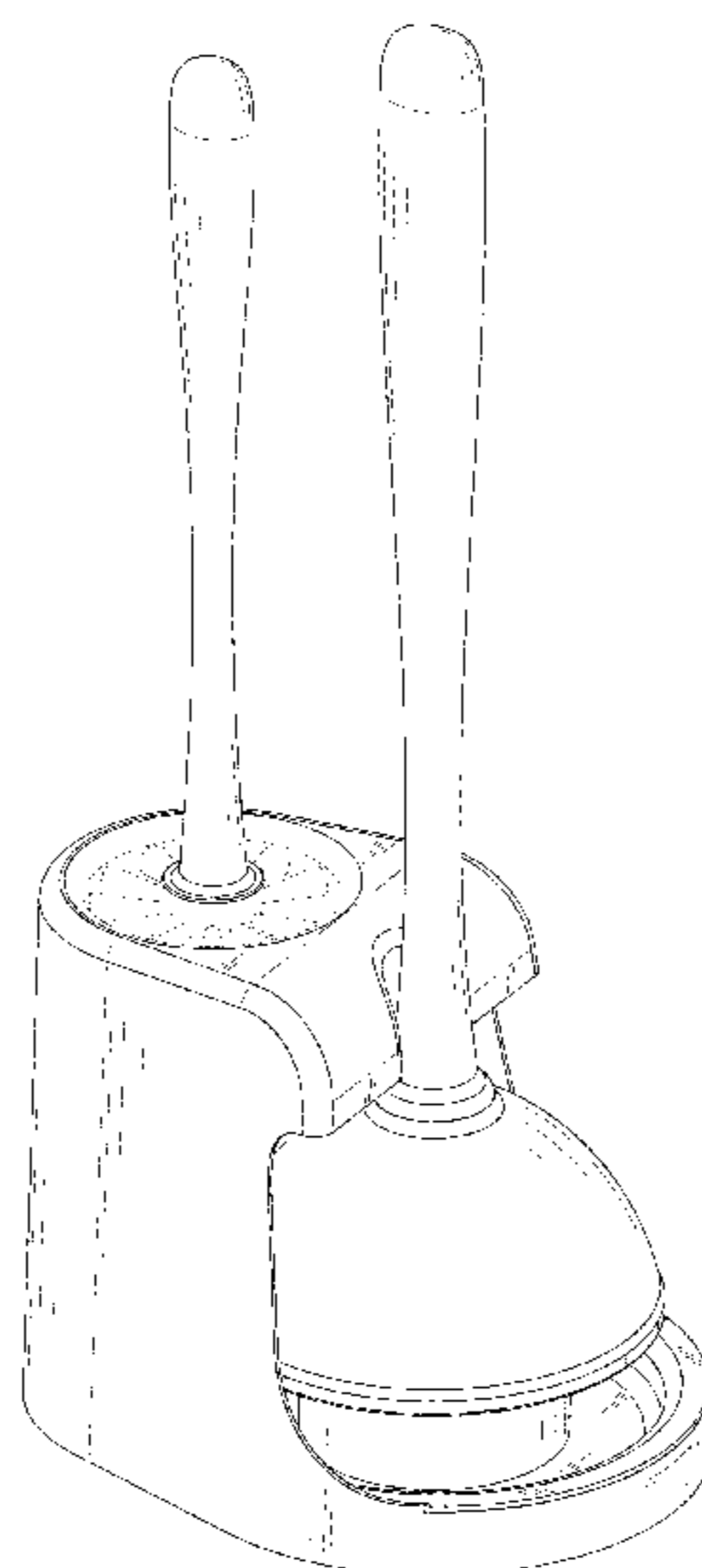
The ornamental design for a toilet plunger and brush kit, as shown and described.

**DESCRIPTION**

FIG. 1 is a perspective view of a toilet plunger and brush kit showing my new design;  
FIG. 2 is another perspective view thereof;  
FIG. 3 is a front elevational view thereof;  
FIG. 4 is a rear elevational view thereof;  
FIG. 5 is a left side elevational view thereof;  
FIG. 6 is a right side elevational view thereof;  
FIG. 7 is a top plan view thereof;  
FIG. 8 is a bottom plan view thereof; and,  
FIG. 9 is an exploded perspective view of the toilet plunger and brush kit.

The broken lines in the drawings depict portions of the toilet plunger and brush kit that form no part of the claimed design.

**1 Claim, 9 Drawing Sheets**



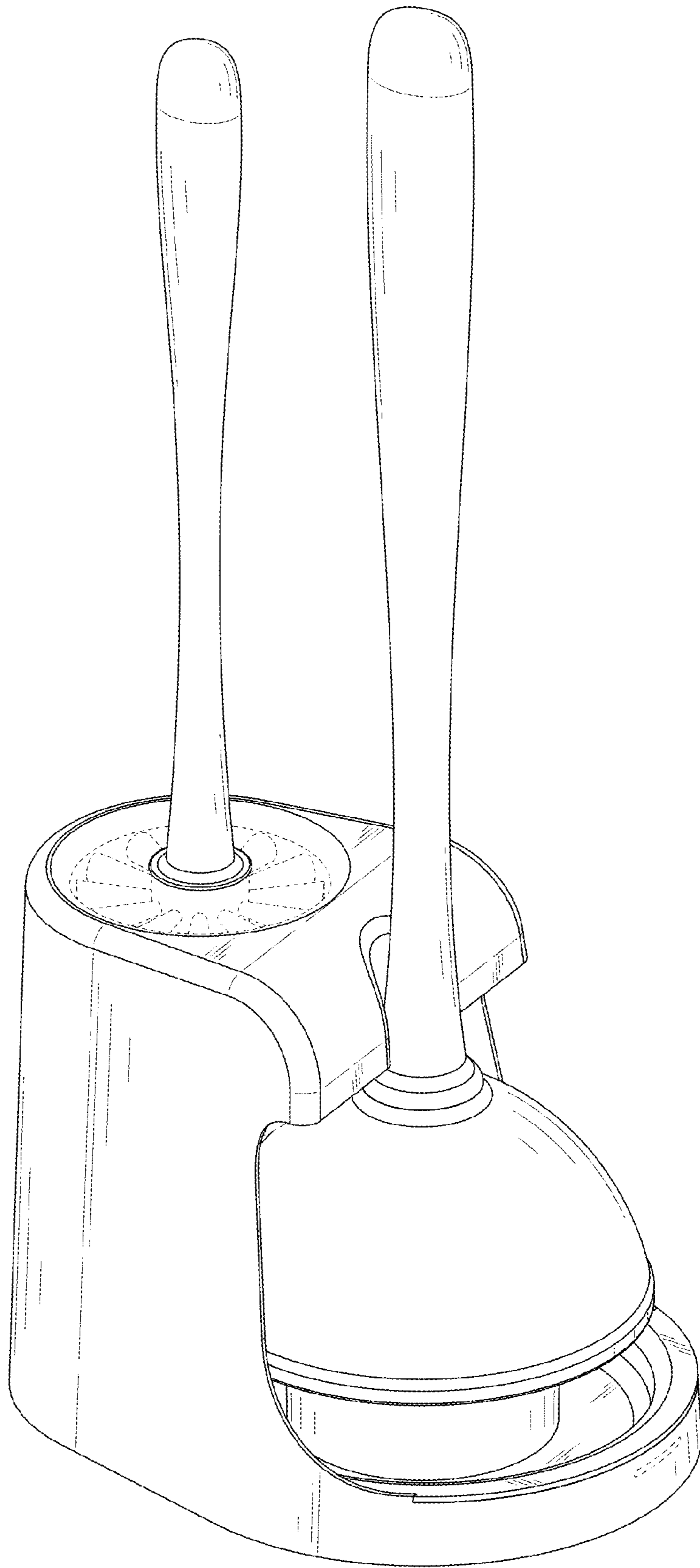


FIG. 1

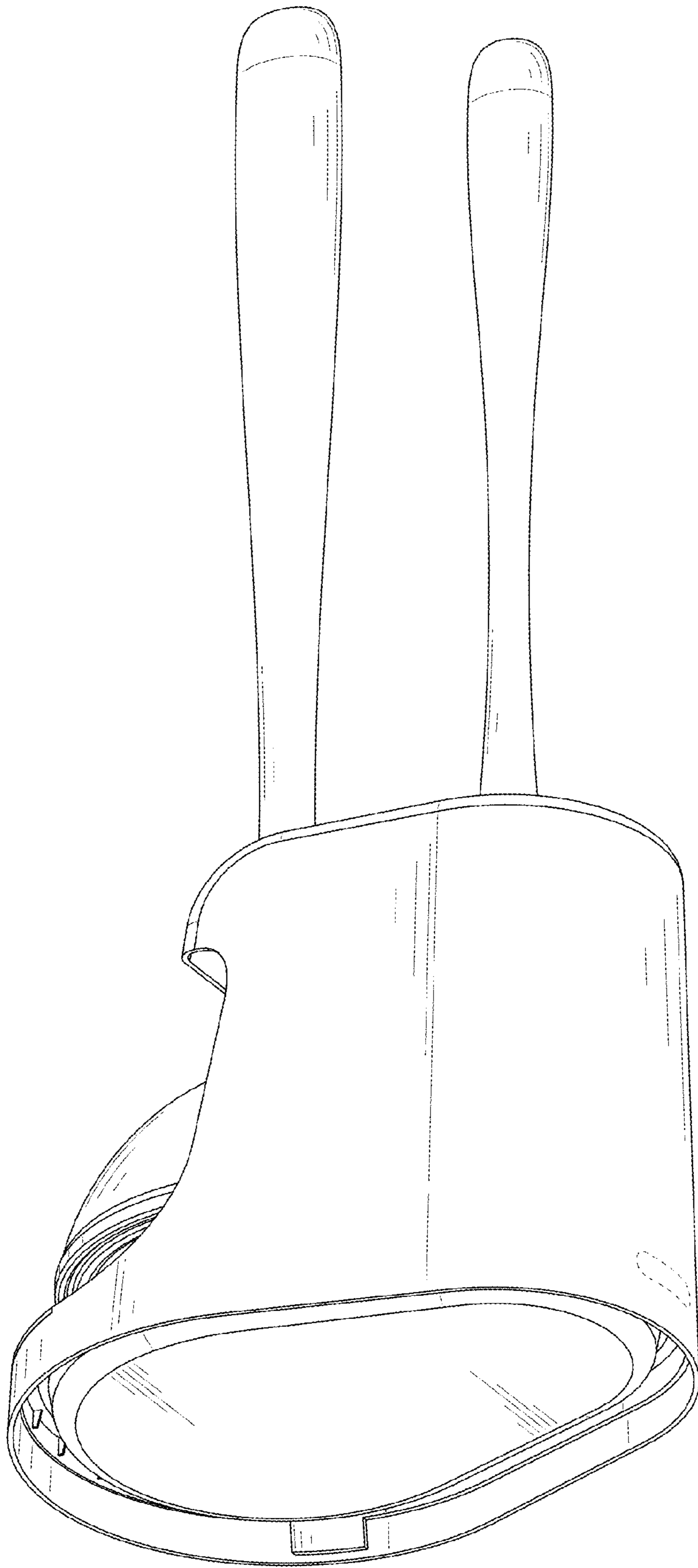


FIG. 2

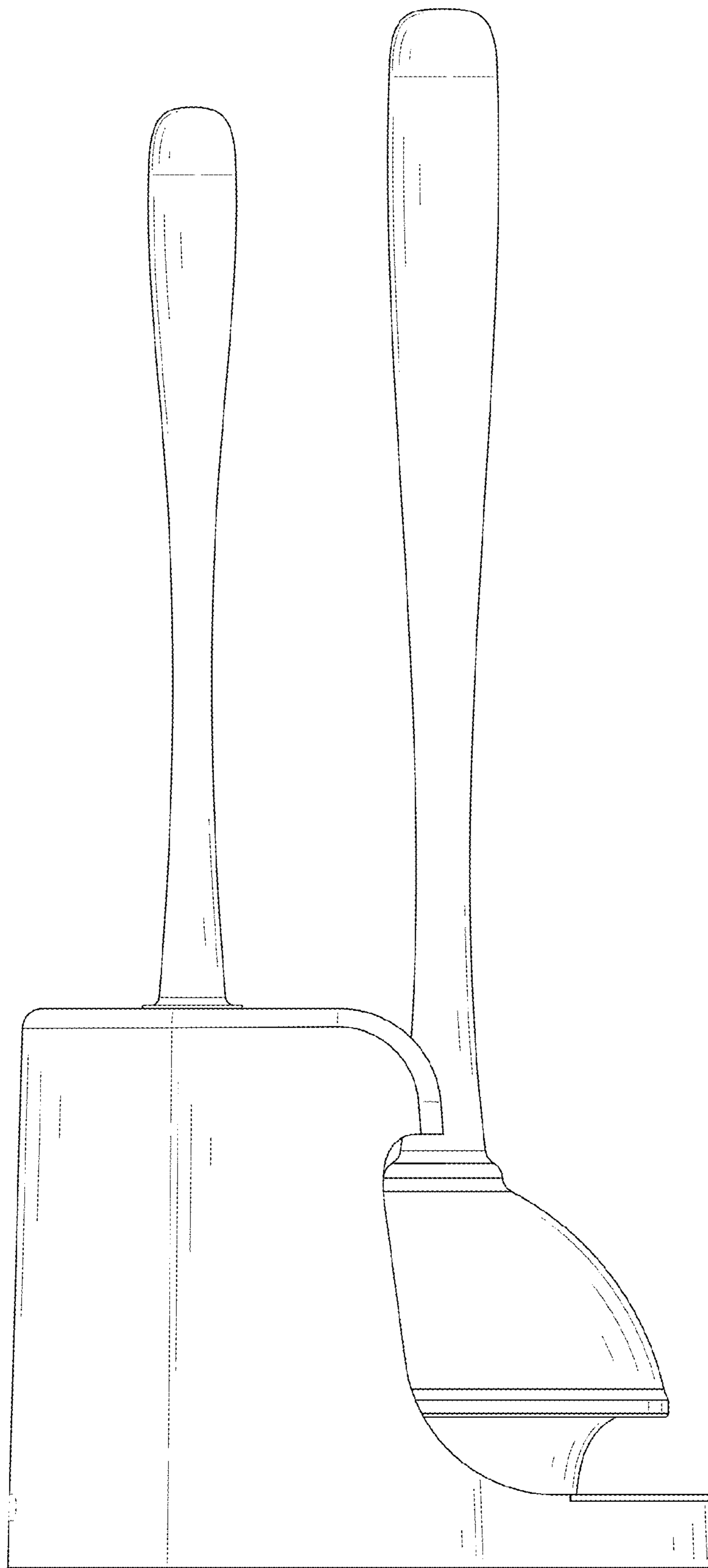


FIG. 3

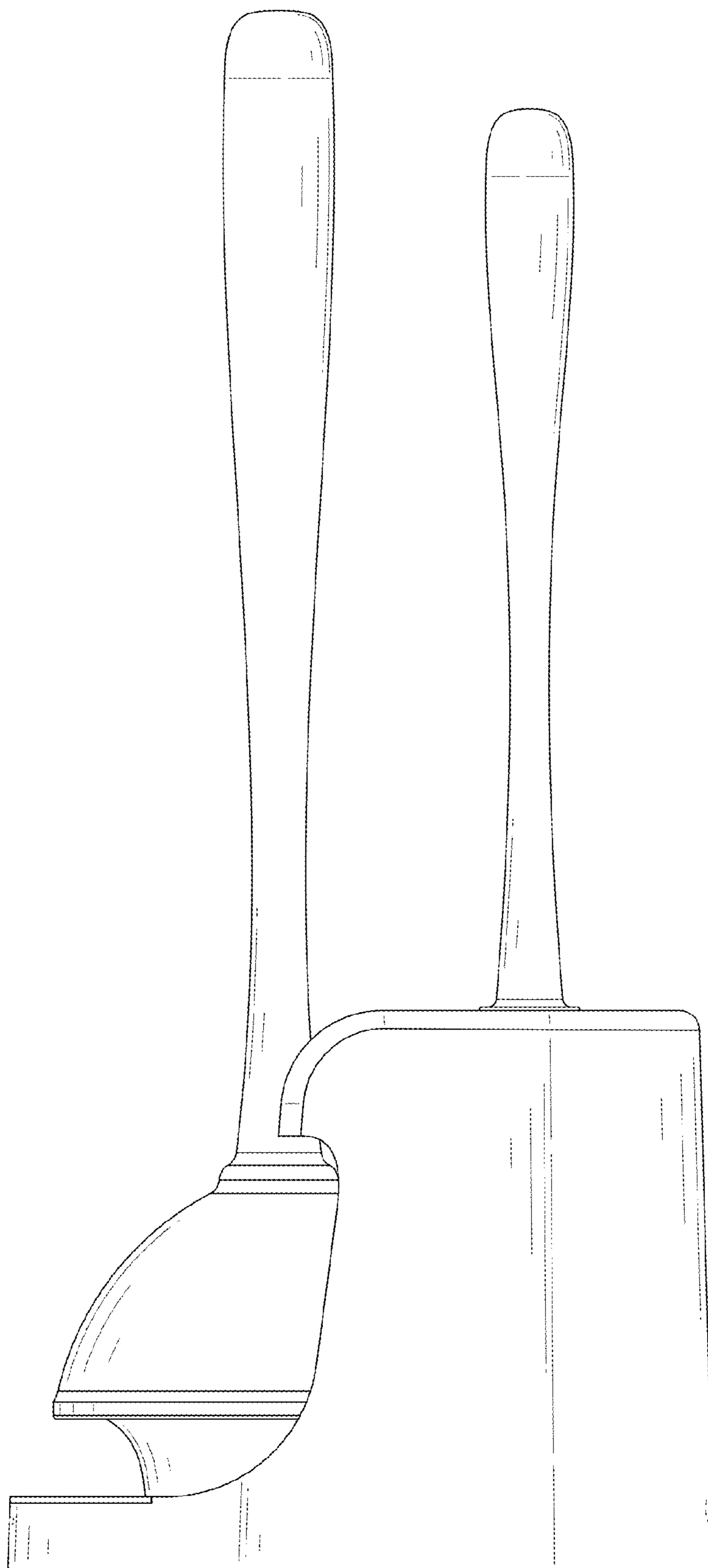


FIG. 4

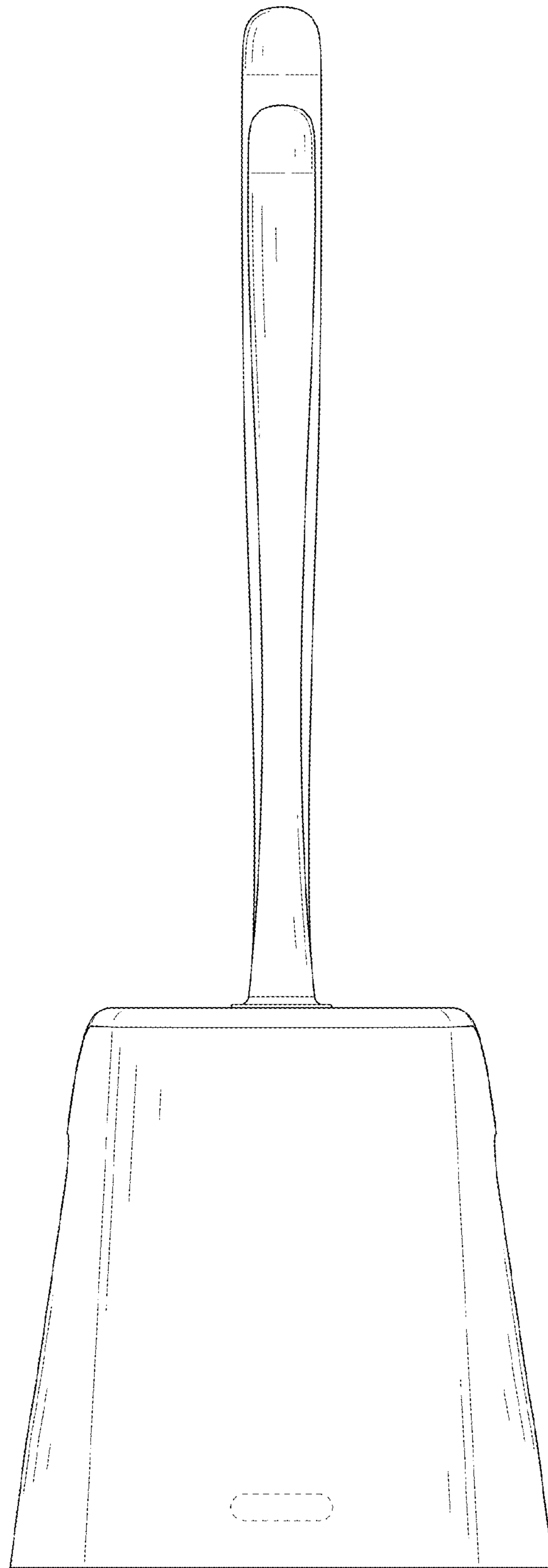


FIG. 5

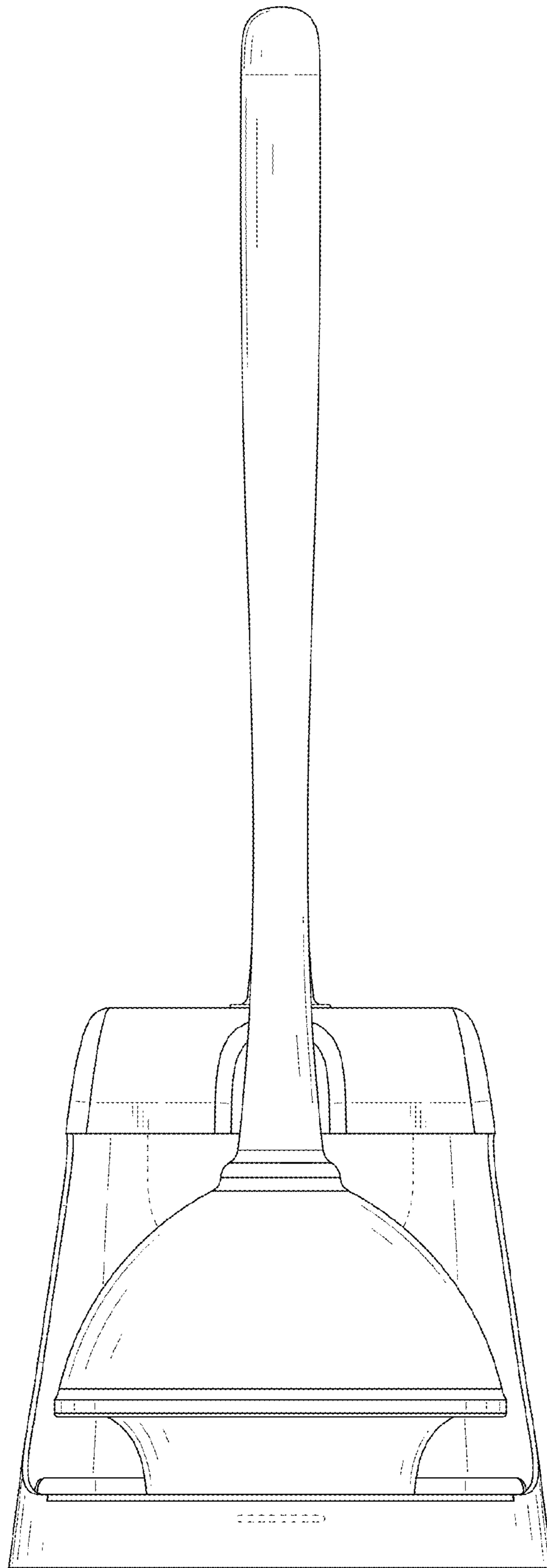


FIG. 6

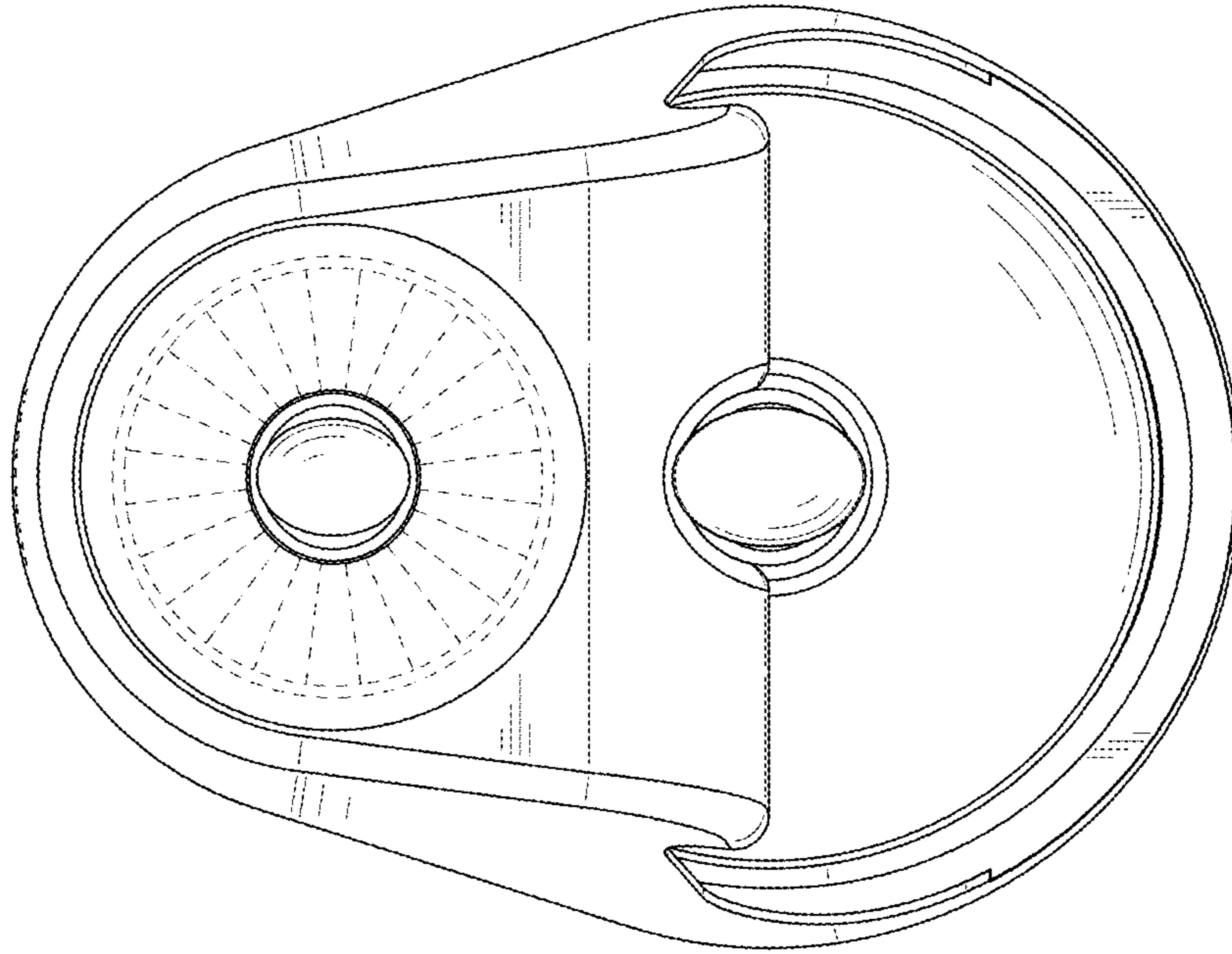


FIG. 7



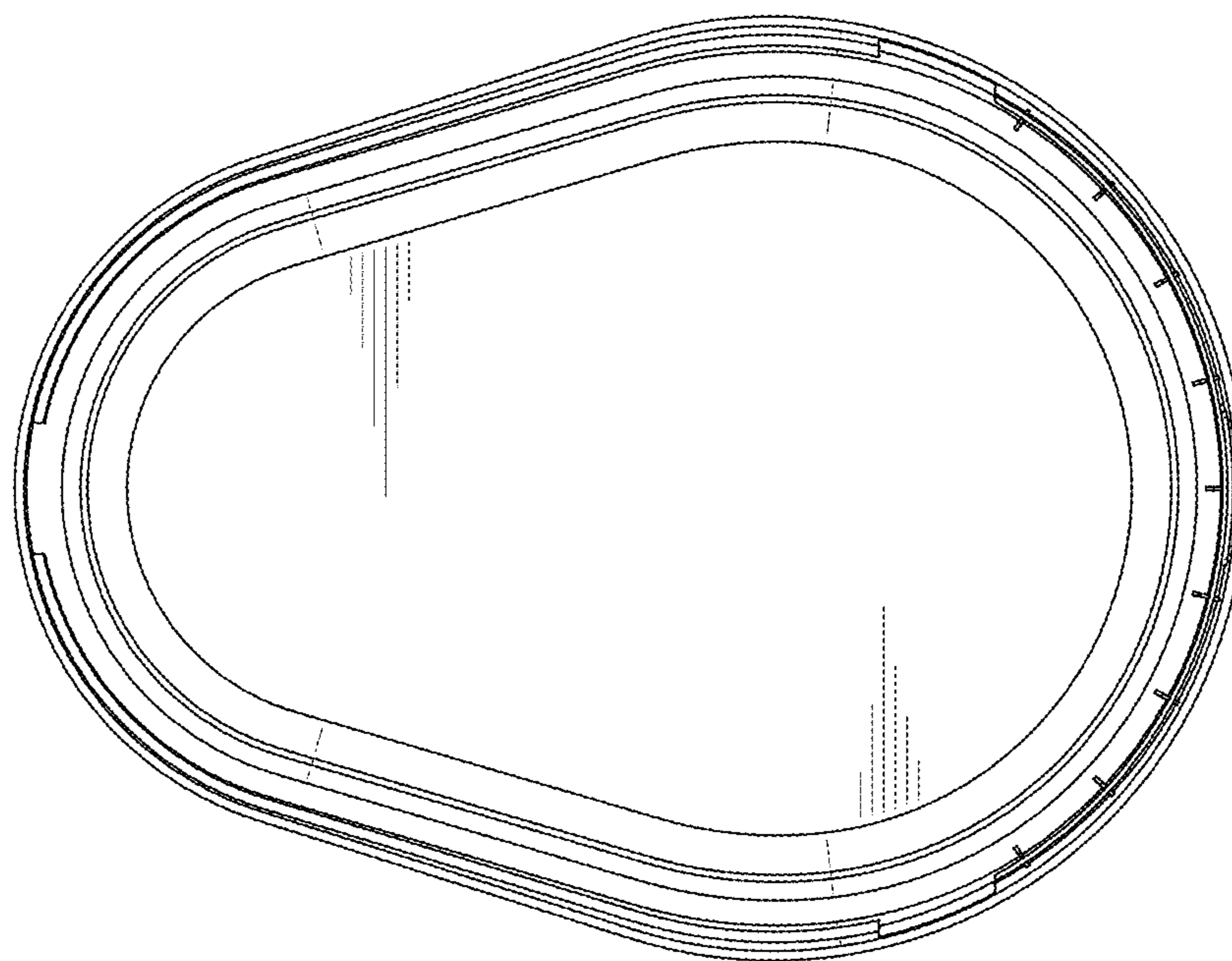


FIG. 8

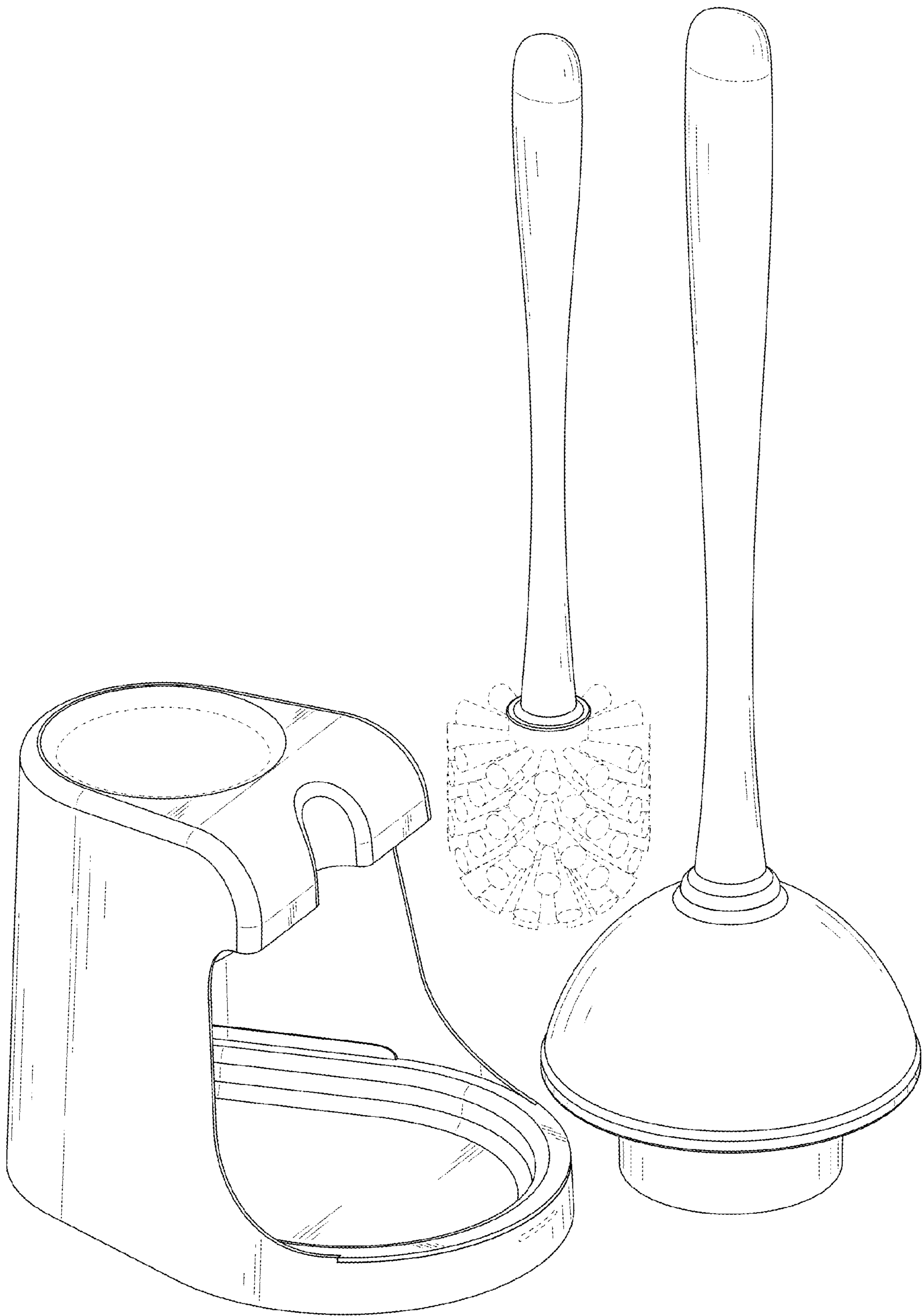


FIG. 9