



US00D947567S

(12) **United States Design Patent** (10) **Patent No.:** **US D947,567 S**  
**Holzmann et al.** (45) **Date of Patent:** **\*\* Apr. 5, 2022**

- (54) **TOILET PAPER DISPENSER**
- (71) Applicant: **Bradley Corporation**, Menomonee Falls, WI (US)
- (72) Inventors: **Simon Holzmann**, Zorneding (DE); **Stefan Hillenmayer**, Munich (DE); **Ning Zhou**, Munich (DE); **Laura Beth Stang**, Mukwonago, WI (US)
- (73) Assignee: **Bradley Corporation**, Menomonee Falls, WI (US)
- (\*\*) Term: **15 Years**
- (21) Appl. No.: **29/778,703**
- (22) Filed: **Apr. 14, 2021**

**Related U.S. Application Data**

- (62) Division of application No. 29/708,036, filed on Oct. 2, 2019, now Pat. No. Des. 927,218.
- (51) **LOC (13) Cl.** ..... **23-02**
- (52) **U.S. Cl.**  
USPC ..... **D6/523**
- (58) **Field of Classification Search**  
USPC ..... D6/518-524, 546-550; 16/110.1, 415; 108/28-29; 211/13.1, 16, 60.1, 86.01, 211/87.01, 88.01, 88.04, 100, 105.1, 211/105.2, 123, 181.1, 182; 242/570, 242/590, 595-598, 564.4, 596.3, 599; 248/175, 176.1, 251, 302  
CPC .... A47K 10/40; A47K 10/3836; A47K 10/38; A47K 2010/322; A47K 2010/3233; A47K 2201/02; A47K 10/24; A47K 10/16; A47K 10/32; A47K 10/3809; A47K 2010/3872; B65H 75/08; A47B 81/007  
See application file for complete search history.

- (56) **References Cited**
- U.S. PATENT DOCUMENTS
- |           |   |   |         |            |       |                       |
|-----------|---|---|---------|------------|-------|-----------------------|
| D307,845  | S | * | 5/1990  | Omdoll     | ..... | D6/520                |
| D335,410  | S | * | 5/1993  | Abel       | ..... | D6/520                |
| 5,884,805 | A | * | 3/1999  | Tramontina | ..... | A47K 10/424<br>221/45 |
| D499,288  | S | * | 12/2004 | Taylor     | ..... | D6/520                |
| D613,537  | S | * | 4/2010  | Pattberg   | ..... | D6/520                |
| D654,740  | S | * | 2/2012  | Cheng      | ..... | D6/520                |
- (Continued)

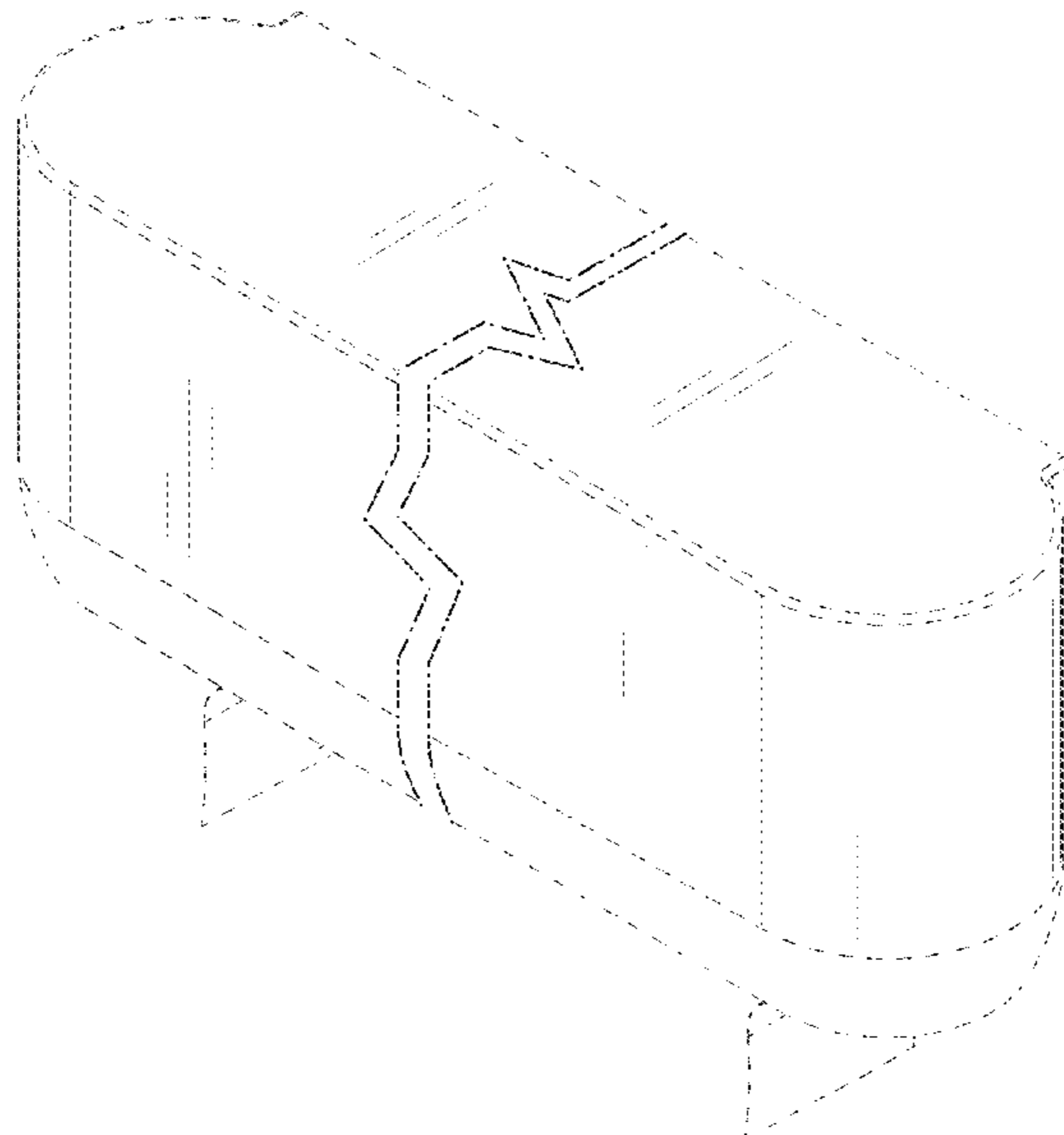
*Primary Examiner* — Nathan M Johnston  
(74) *Attorney, Agent, or Firm* — Boyle Fredrickson, S.C.

(57) **CLAIM**  
The ornamental design for a toilet paper dispenser, substantially as shown and described.

**DESCRIPTION**

FIG. 1 is a front, raised perspective view of a toilet paper dispenser according to the invention;  
FIG. 2 is a front view of the toilet paper dispenser of FIG. 1;  
FIG. 3 is a rear view of the toilet paper dispenser of FIG. 1;  
FIG. 4 is a right side view of the toilet paper dispenser of FIG. 1;  
FIG. 5 is a left side view of the toilet paper dispenser of FIG. 1;  
FIG. 6 is a top view of the toilet paper dispenser of FIG. 1;  
FIG. 7 is a bottom view of the toilet paper dispenser of FIG. 1; and,  
FIG. 8 is a front, lowered perspective view of the toilet paper dispenser of FIG. 1.  
The broken lines shown in the drawings form no part of the claimed design. All surfaces not shown form no part of the claimed design. Further, the toilet paper dispenser is shown with symbolic breaks in its width. The appearance of any portion of the toilet paper dispenser between the break lines forms no part of the claimed design.

**1 Claim, 8 Drawing Sheets**



(56)

**References Cited**

U.S. PATENT DOCUMENTS

D668,485	S *	10/2012	Velazquez .....	D6/523
D850,145	S *	6/2019	Roche .....	D6/520
D888,458	S *	6/2020	Orban .....	D6/518
D902,622	S *	11/2020	Reilly .....	D6/523
2004/0004152	A1 *	1/2004	Kapiloff .....	A47K 10/3836 242/597.8
2010/0206979	A1 *	8/2010	Collins .....	A47K 10/36 242/560
2015/0076277	A1 *	3/2015	Elliott .....	A47K 10/3836 242/560

\* cited by examiner

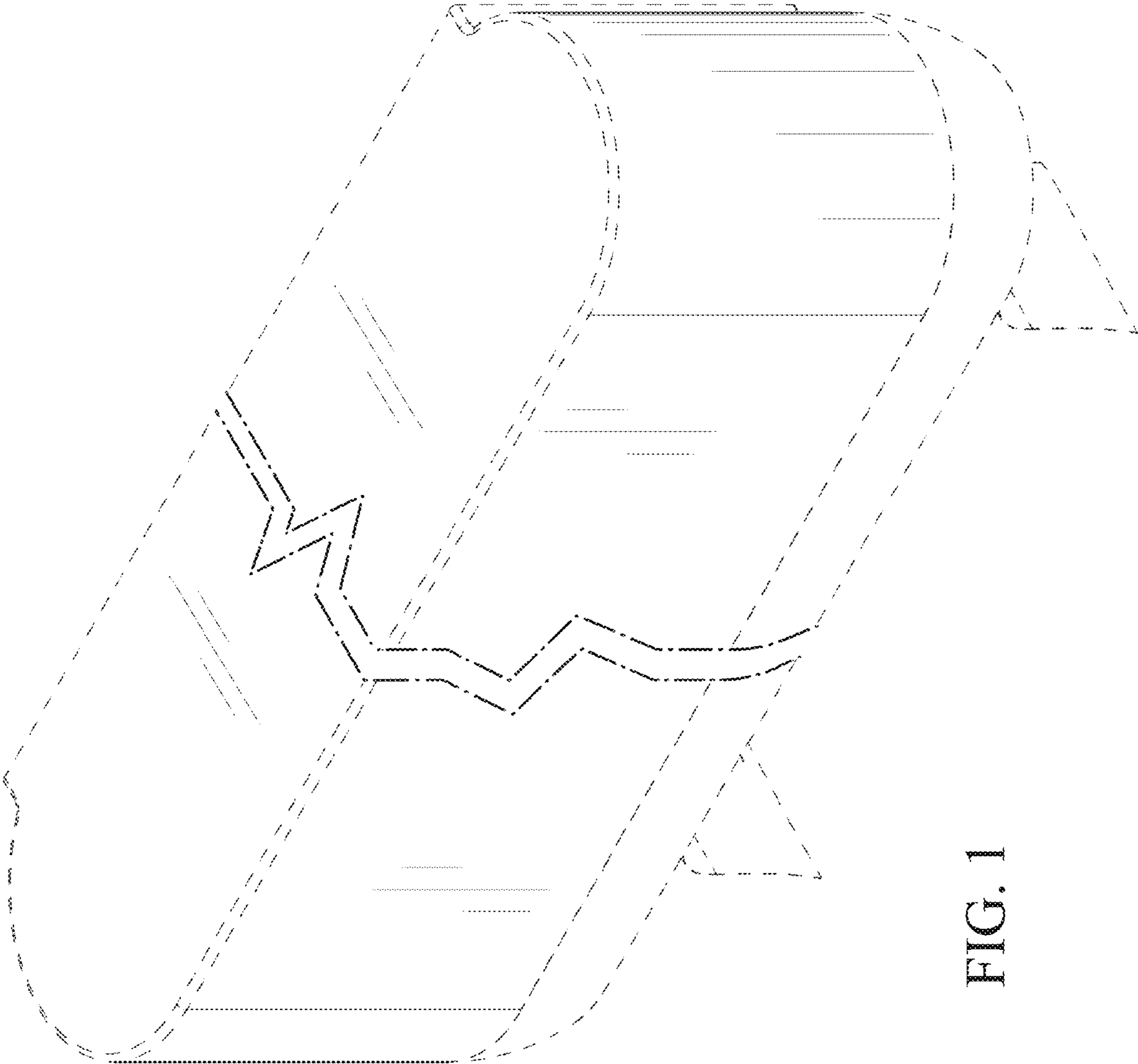


FIG. 1

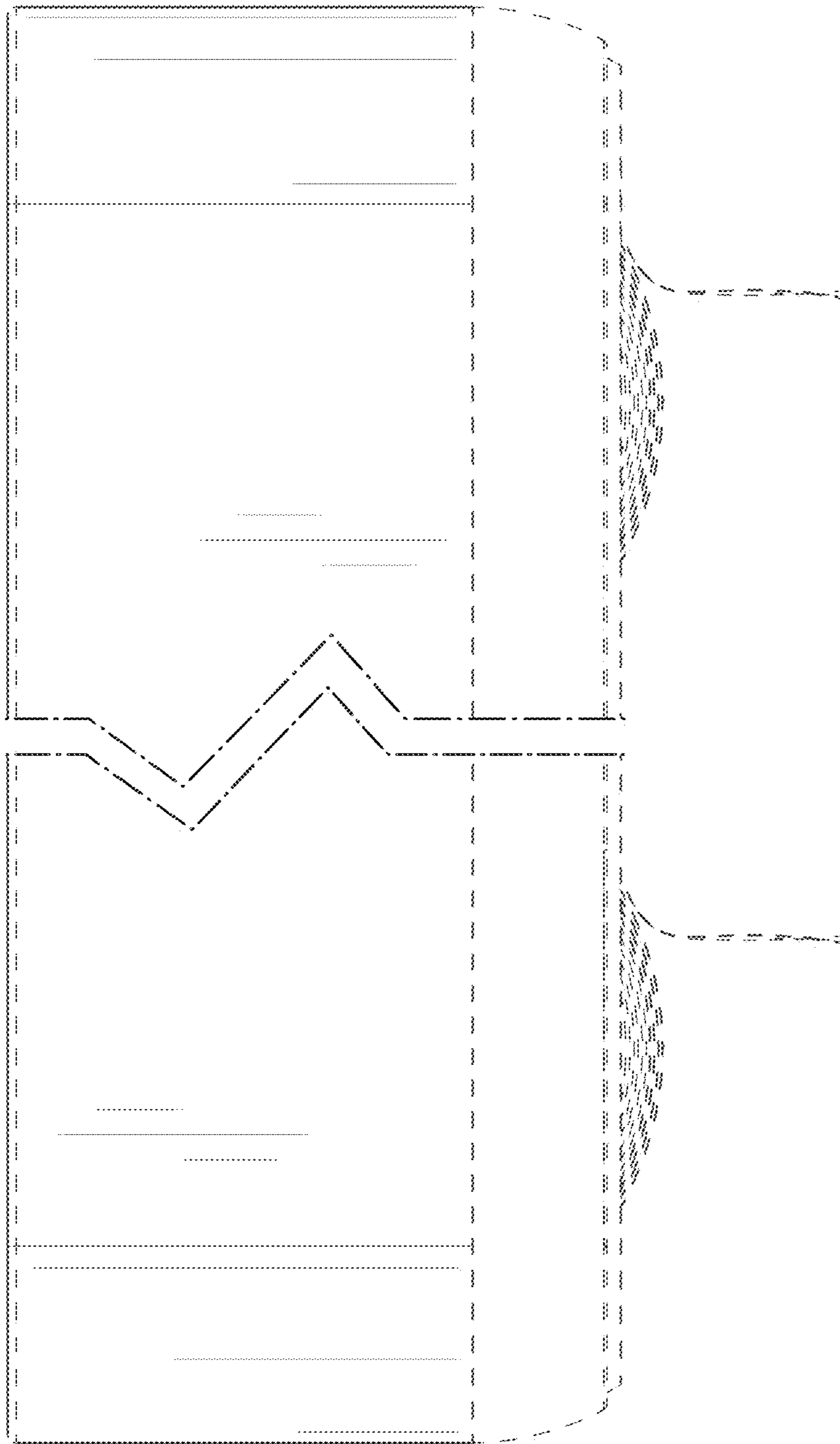


FIG. 2

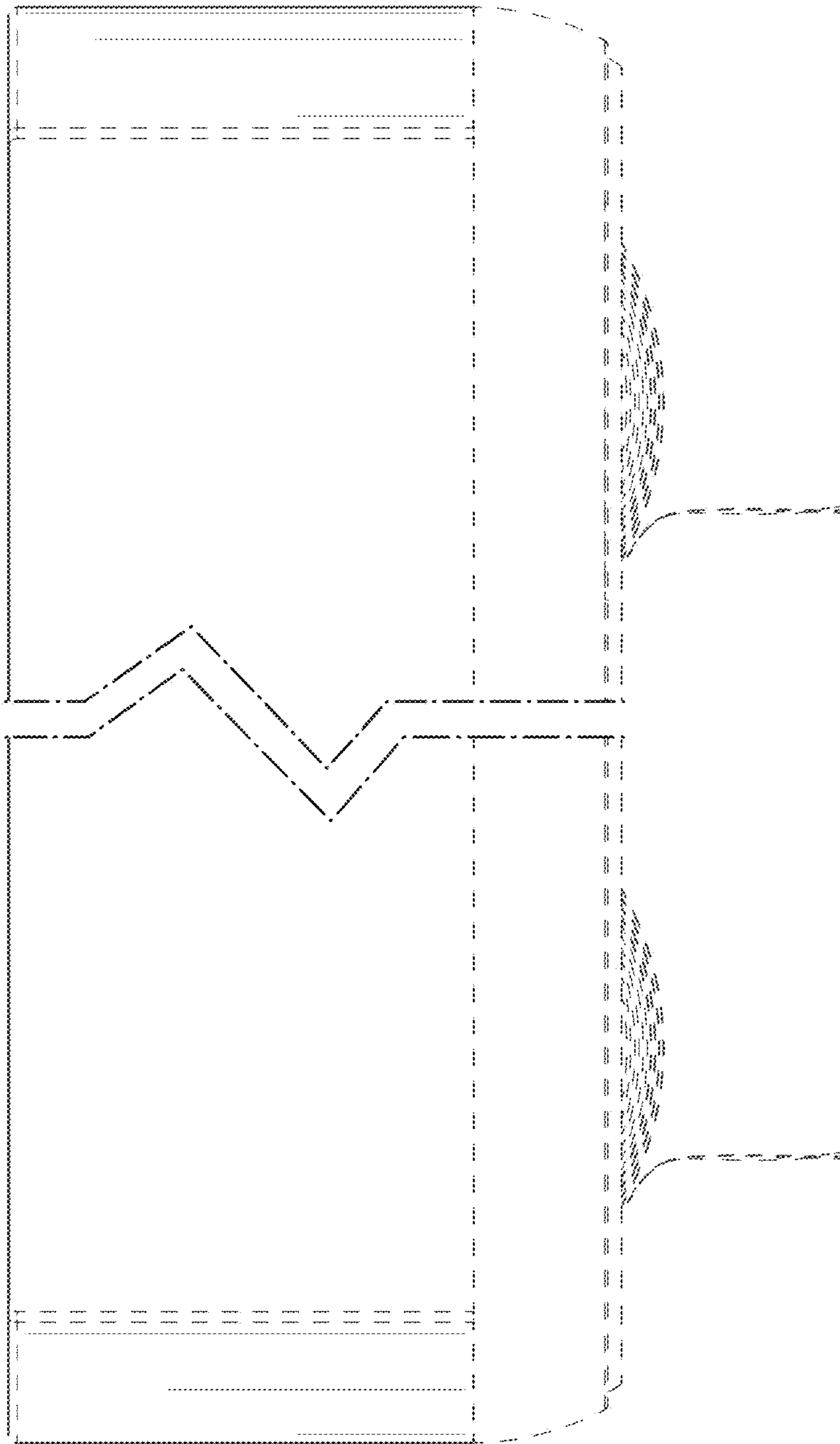


FIG. 3

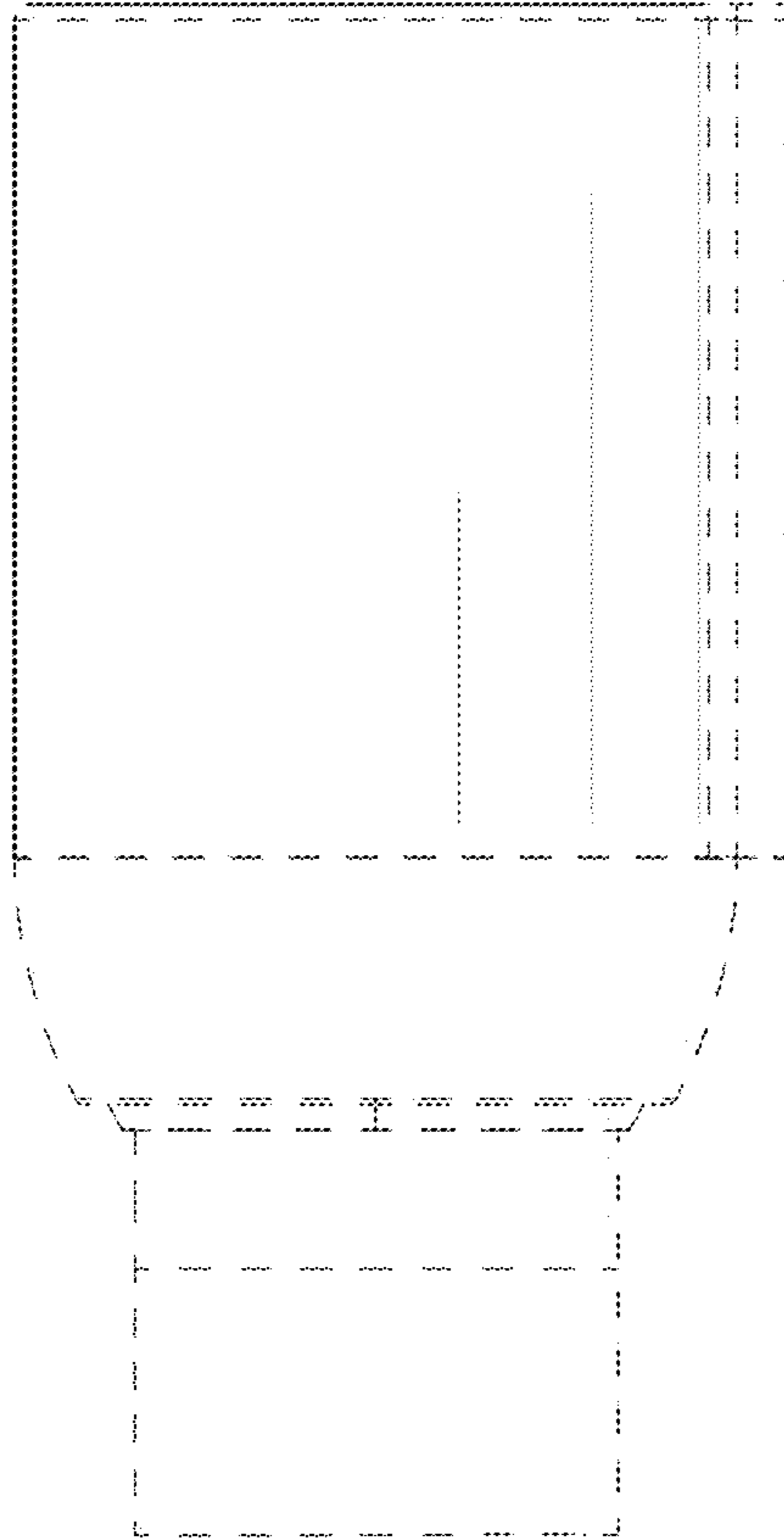


FIG. 4

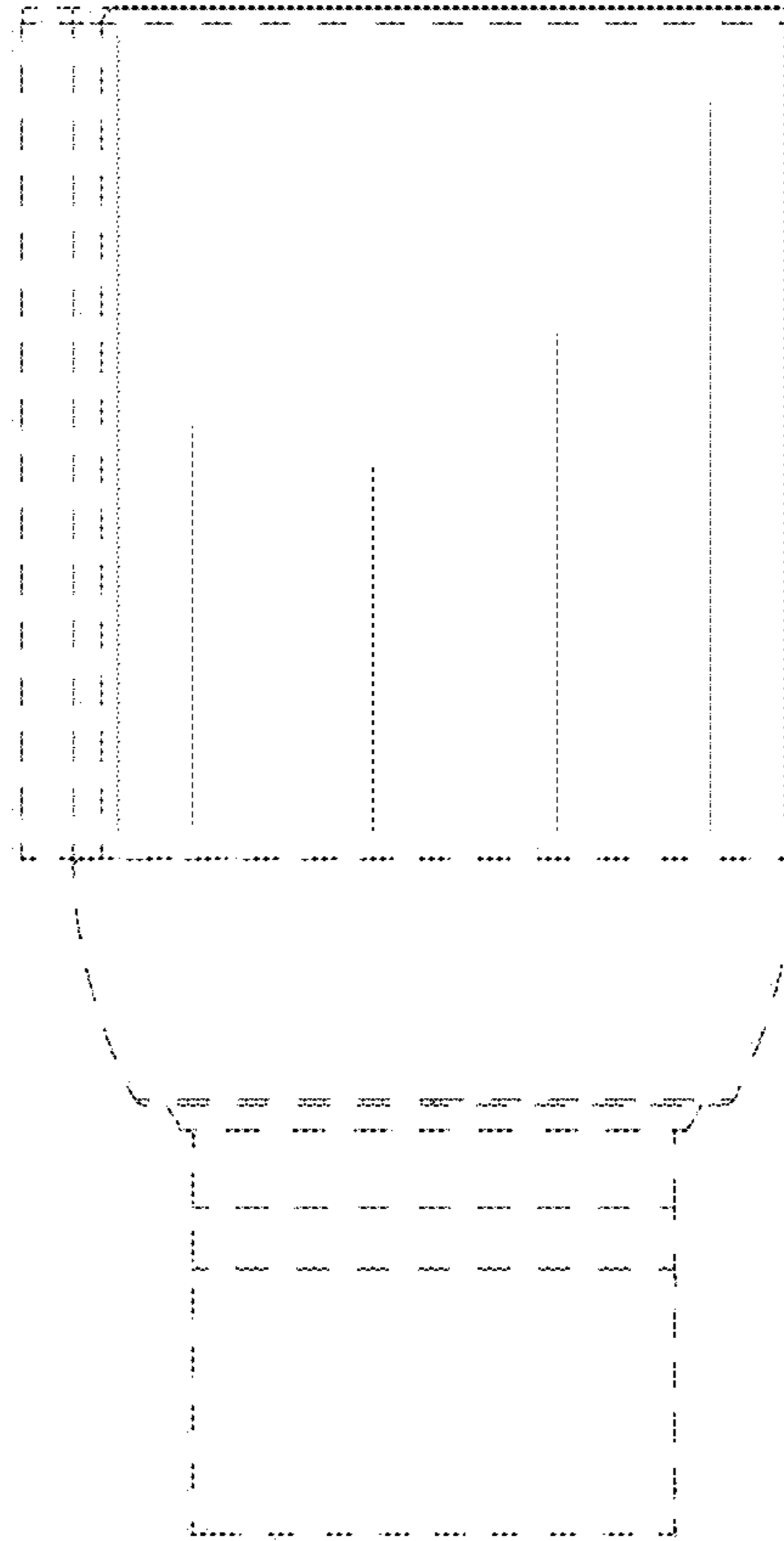


FIG. 5

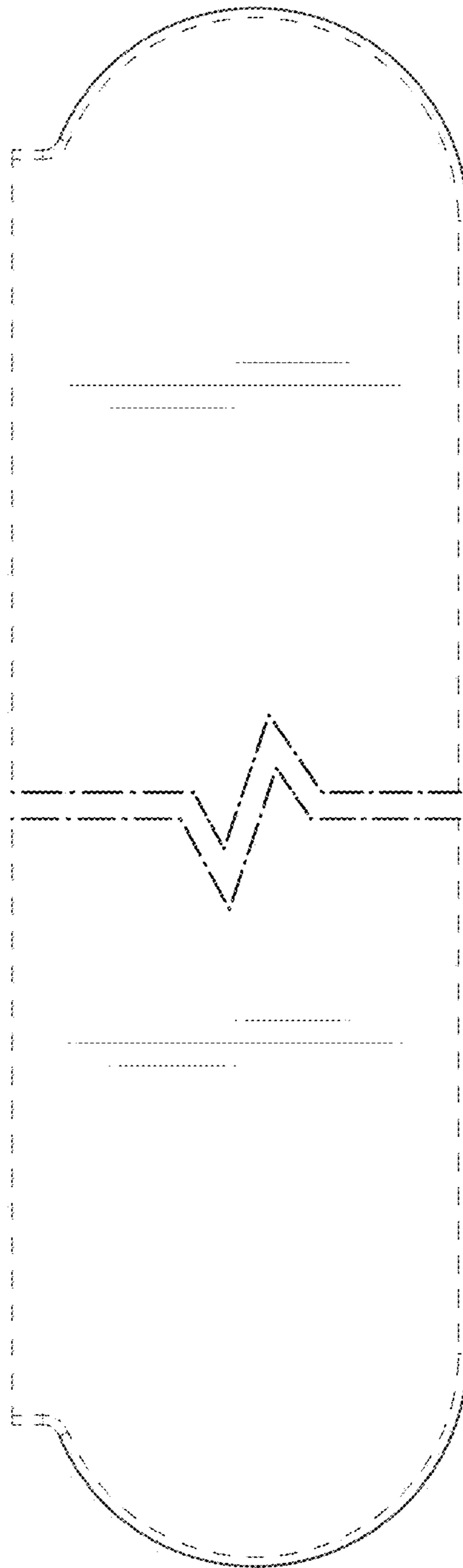


FIG. 6



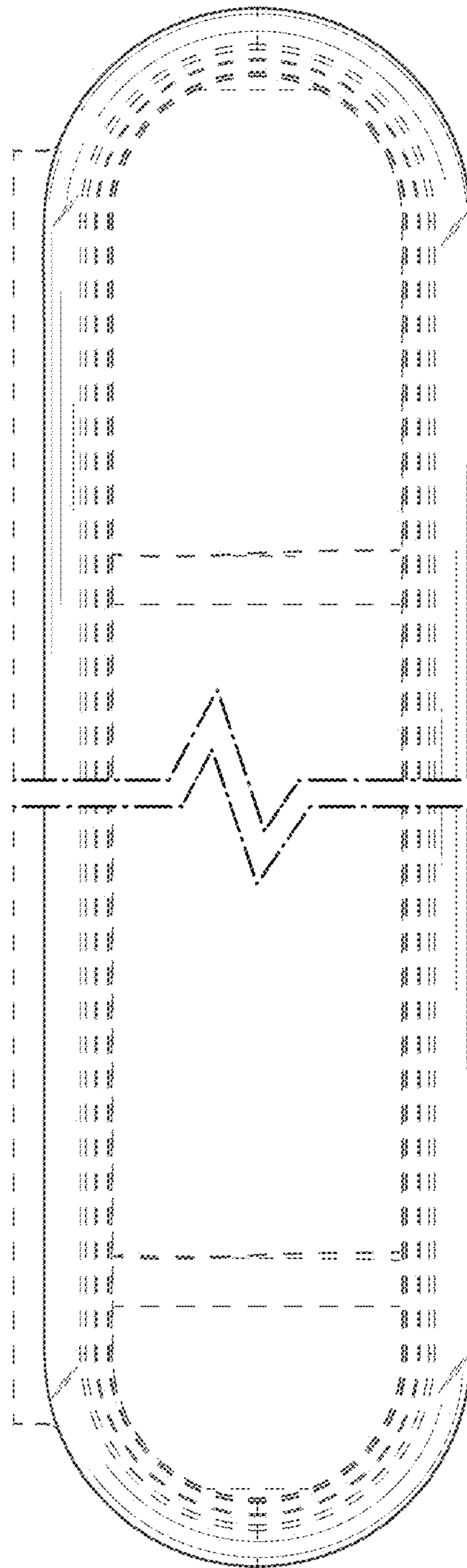


FIG. 7

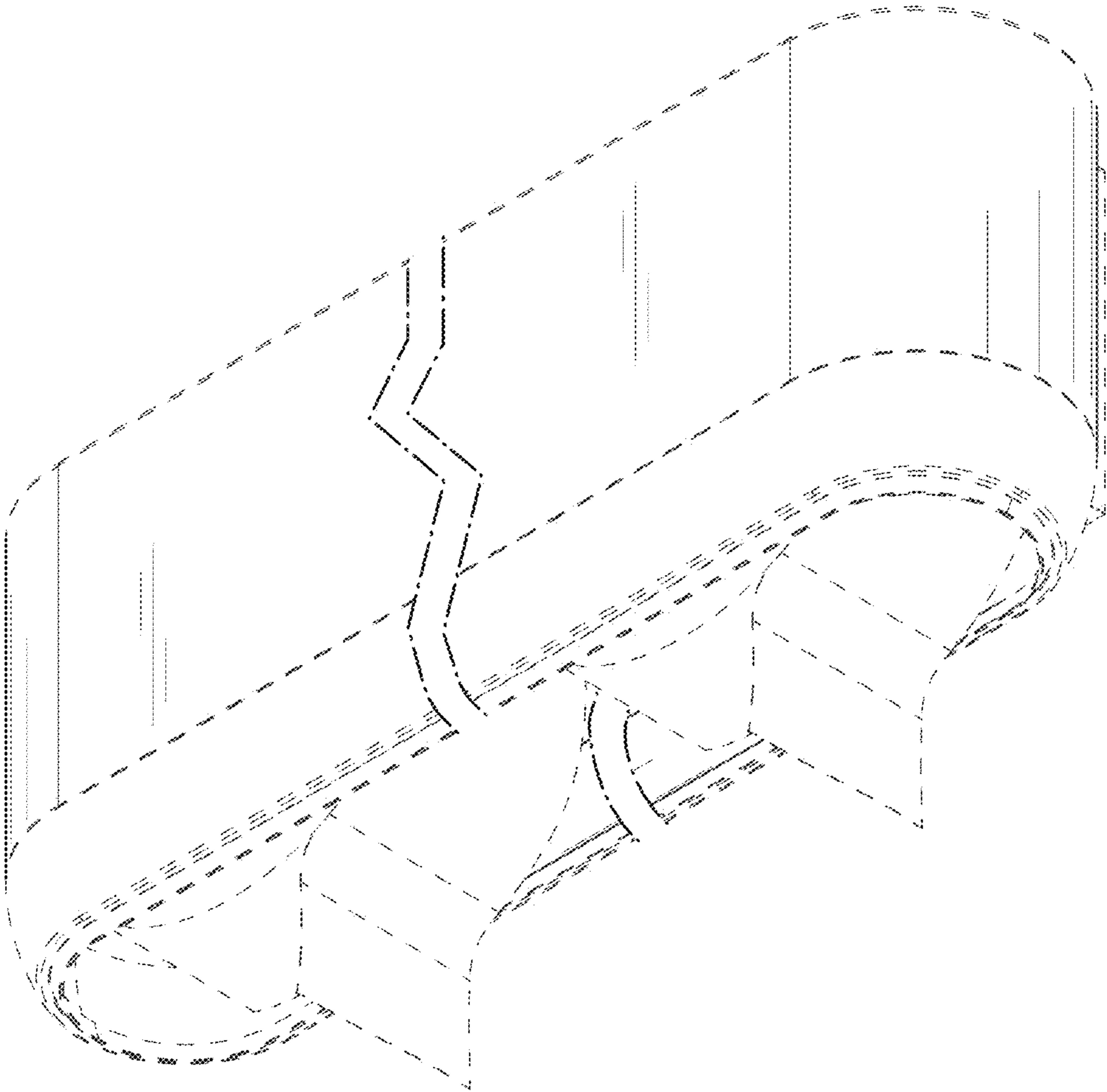


FIG. 8