



US00D947564S

(12) **United States Design Patent**  
**Zhang**

(10) **Patent No.:** **US D947,564 S**

(45) **Date of Patent:** **\*\* Apr. 5, 2022**

(54) **FILM-DISPENSING CASSETTE FOR GARBAGE**

(71) Applicant: **Guangzhou Qianzhou Environmental Technology Co., Ltd.**, Guangzhou (CN)

(72) Inventor: **Xinwen Zhang**, Guangzhou (CN)

(73) Assignee: **Guangzhou Qianzhou Envi. Tech. Co., Ltd.**, Guangzhou (CN)

(\*\*) Term: **15 Years**

(21) Appl. No.: **29/743,136**

(22) Filed: **Jul. 20, 2020**

(51) **LOC (13) Cl.** ..... **06-06**

(52) **U.S. Cl.**  
USPC ..... **D6/515; D6/518**

(58) **Field of Classification Search**  
USPC ..... D6/512, 515, 513, 518, 519, 553;  
D34/10; D15/145; D7/677, 554.1, 565,  
D7/566, 584, 615, 630; D14/475, 483,  
D14/484; 248/95, 99; 220/495.01,  
220/495.04, 495.05, 495.06

CPC ..... E01H 2001/124; E01H 2001/1286; E01H  
1/1206; E01H 2001/128; B65F 1/00;  
B65B 67/00; B65B 67/04

See application file for complete search history.

(56) **References Cited**

**U.S. PATENT DOCUMENTS**

D190,713 S *	6/1961	Bliss	.....	D7/677
D335,989 S *	6/1993	Van Hise	.....	D6/512
D411,993 S *	7/1999	Lee	.....	D14/484
D461,686 S *	8/2002	Ping Liu	.....	D7/554.1
D661,527 S *	6/2012	Morand	.....	D6/515
D664,386 S *	7/2012	Ohnishi	.....	D6/515
D695,541 S *	12/2013	Dunn	.....	B65F 1/062 D6/515

D700,788 S *	3/2014	Morand	.....	D6/515
D705,567 S *	5/2014	Morand	.....	D6/515
D705,568 S *	5/2014	Morand	.....	D6/515

(Continued)

**FOREIGN PATENT DOCUMENTS**

EM	008046171-0001	*	8/2020
EM	008046171-0002	*	8/2020

(Continued)

**OTHER PUBLICATIONS**

MOM'S AIDE Diaper Pail Refill. MOM'S AIDE (online) 5 pgs. Available Oct. 14, 2020 based on reviews. [Retrieved Dec. 13, 2021] [https://www.alibaba.com/product-detail/MOM-S-AIDE--Diaper-Pail\\_1600094314853.html](https://www.alibaba.com/product-detail/MOM-S-AIDE--Diaper-Pail_1600094314853.html) (Year: 2020).\*

*Primary Examiner* — Marie D. Fast Horse  
*Assistant Examiner* — Jennifer Sierra Yosinski

(74) *Attorney, Agent, or Firm* — Zan IP

(57) **CLAIM**

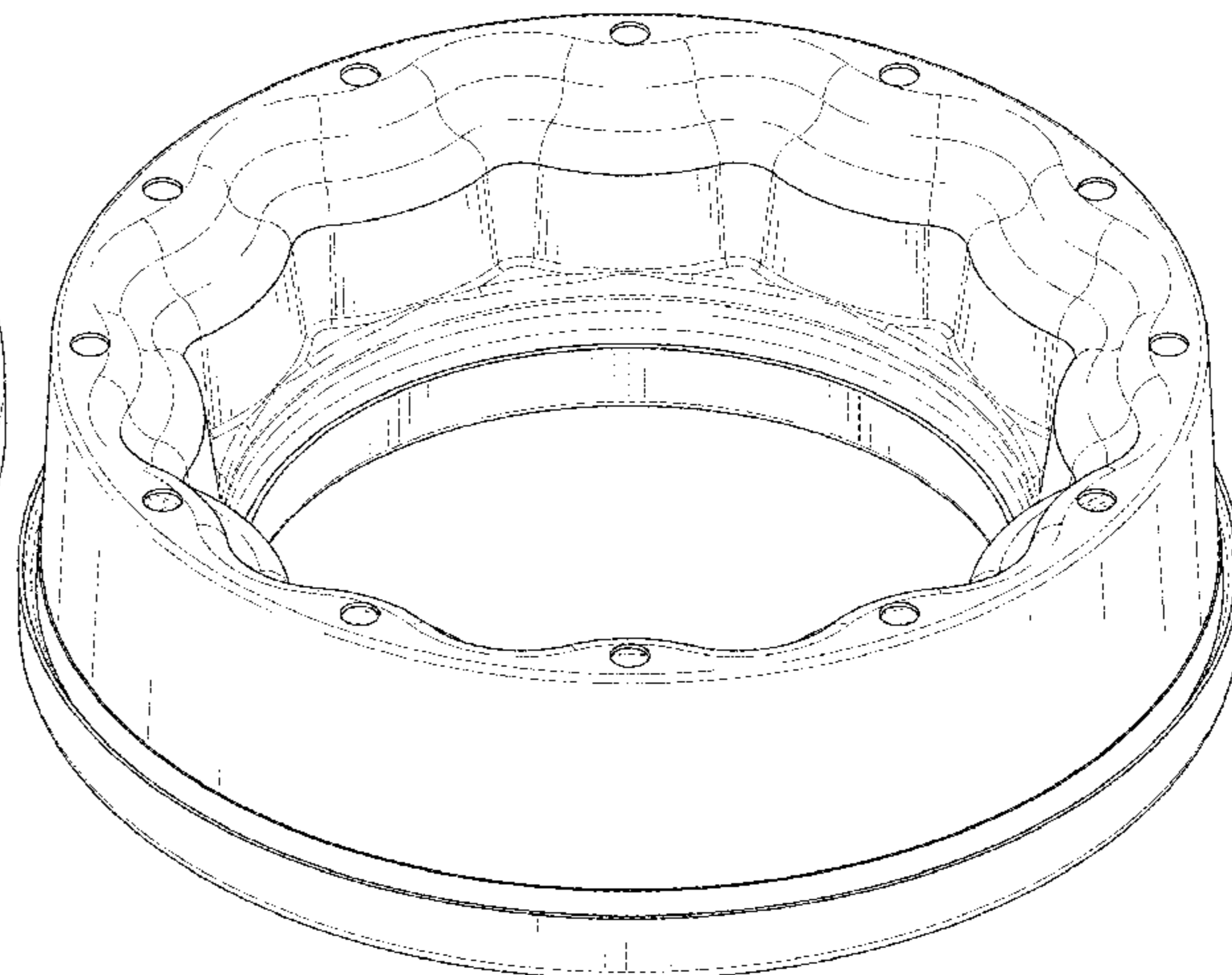
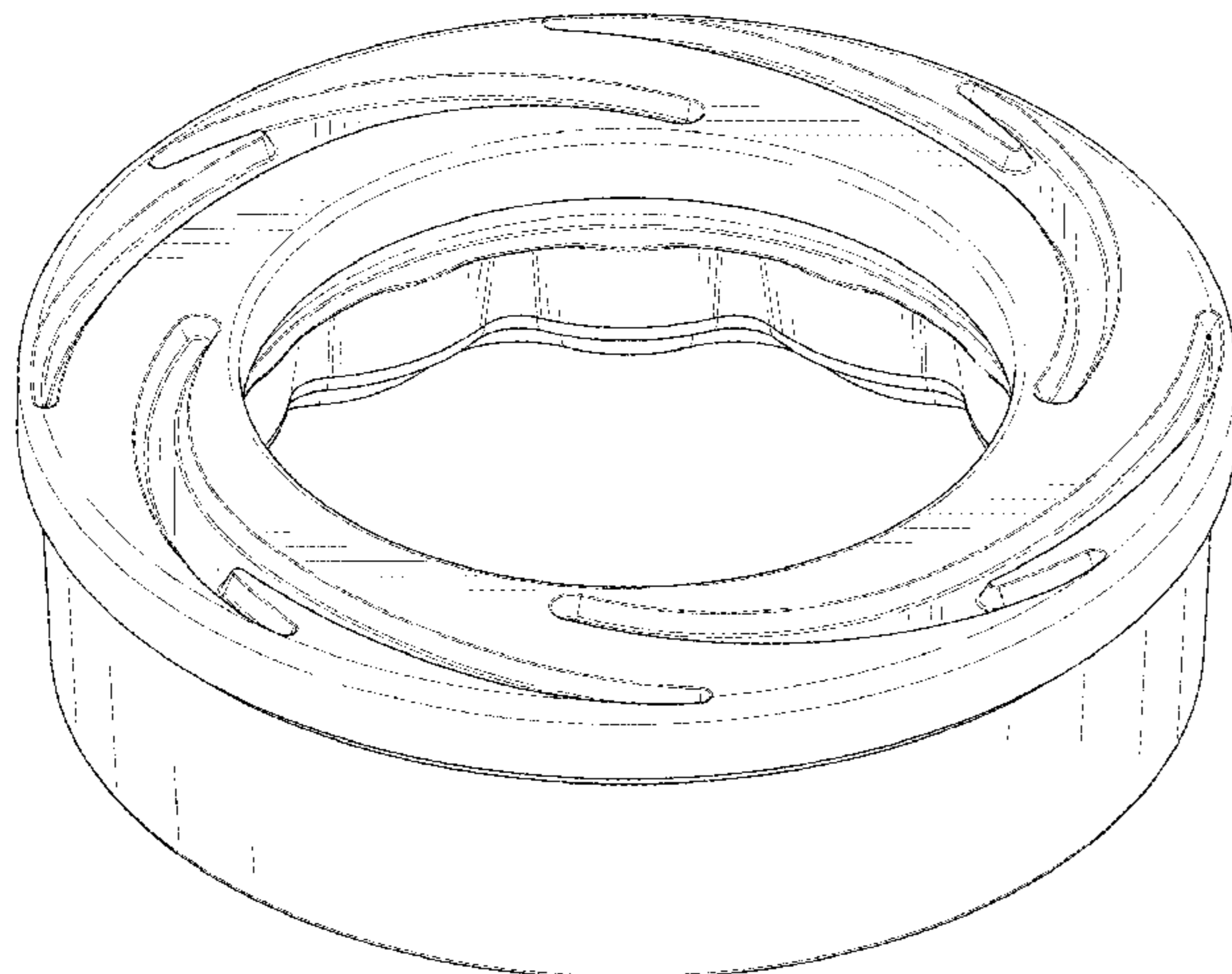
The ornamental design for a film-dispensing cassette for garbage, as shown and described.

**DESCRIPTION**

FIG. 1 is a front and top perspective view of a film-dispensing cassette for garbage, showing my new design; FIG. 2 is a rear and bottom perspective view thereof; FIG. 3 is a front elevational view thereof; FIG. 4 is a rear elevational view thereof; FIG. 5 is a left side elevational view thereof; FIG. 6 is a right side elevational view thereof; FIG. 7 is a top plan view thereof; FIG. 8 is a bottom plan view thereof; and, FIG. 9 is an exploded view thereof.

The broken lines in the figures illustrate portions of the article that form no part of the claimed design.

**1 Claim, 9 Drawing Sheets**



(56)

References Cited

U.S. PATENT DOCUMENTS

D706,055 S \* 6/2014 Morand ..... D6/515  
 D788,537 S \* 6/2017 Knutson ..... D7/584  
 D789,151 S \* 6/2017 Knutson ..... D7/584  
 D795,606 S \* 8/2017 Cudworth ..... D6/515  
 D802,326 S \* 11/2017 Beaver ..... D6/515  
 D808,680 S \* 1/2018 Dunn ..... D6/515  
 10,053,282 B2 \* 8/2018 Dunn ..... B65F 1/0006  
 D891,811 S \* 8/2020 Cheung ..... D6/515  
 D904,067 S \* 12/2020 Yang ..... D6/515  
 D916,484 S \* 4/2021 Yang ..... D6/515  
 D920,710 S \* 6/2021 Cheung ..... D6/515  
 D931,008 S \* 9/2021 Morand ..... D6/515  
 2008/0272140 A1 \* 11/2008 Mowers ..... B65F 1/062  
 221/69  
 2009/0100806 A1 \* 4/2009 Morand ..... B65F 1/16  
 53/567  
 2011/0309082 A1 \* 12/2011 Morand ..... B65F 1/163  
 220/495.08  
 2012/0091295 A1 \* 4/2012 Morand ..... B65F 1/065  
 248/99  
 2018/0362250 A1 \* 12/2018 Morand ..... B65F 1/062

FOREIGN PATENT DOCUMENTS

EM 008046171-0003 \* 8/2020  
 EM 008046171-0004 \* 8/2020  
 EM 008046171-0005 \* 8/2020  
 EM 008046171-0006 \* 8/2020  
 GB 9008046171-0001 \* 7/2020  
 GB 9008046171-0002 \* 7/2020  
 GB 9008046171-0003 \* 7/2020  
 GB 9008046171-0004 \* 7/2020  
 GB 9008046171-0005 \* 7/2020  
 GB 9008046171-0006 \* 7/2020

\* cited by examiner

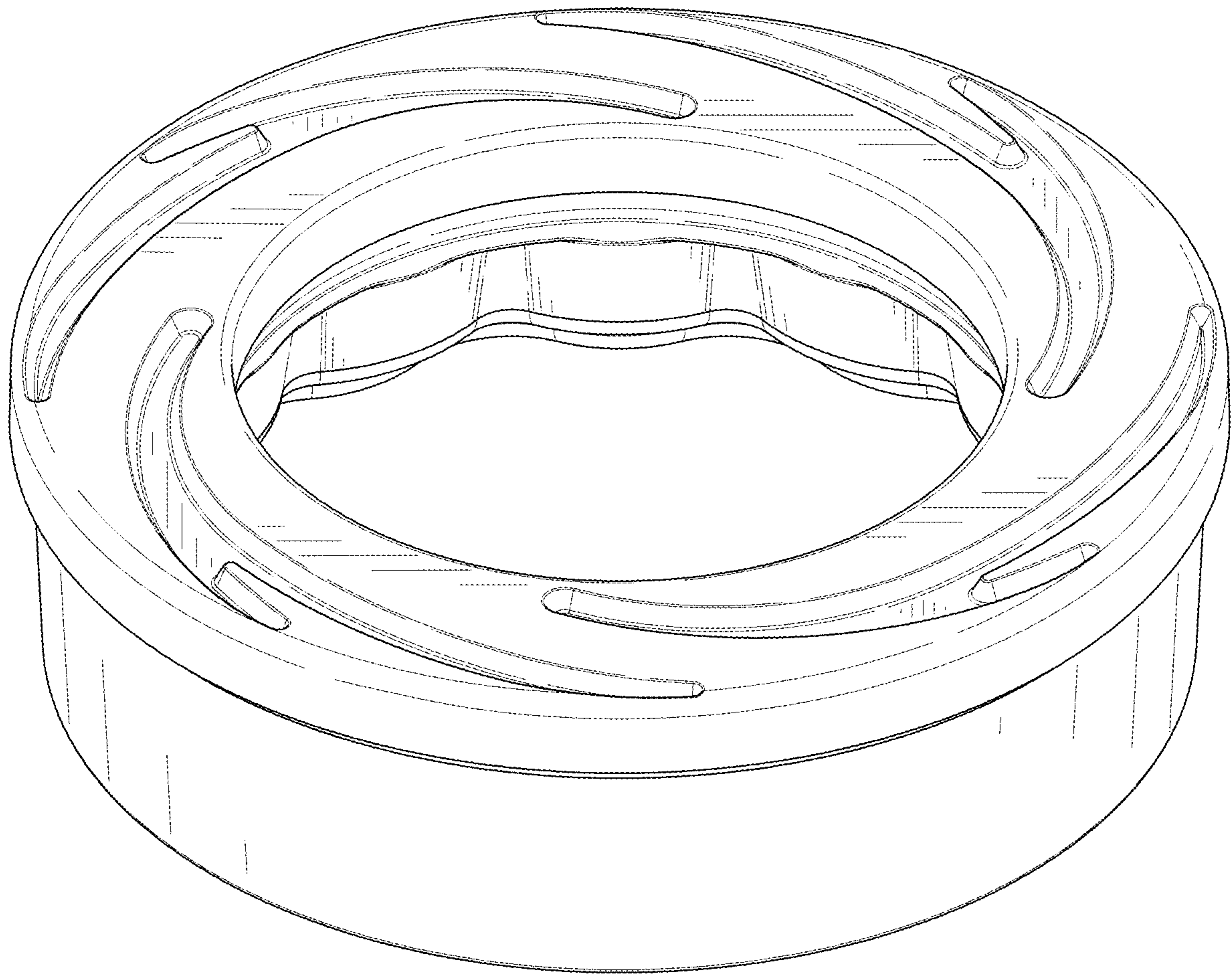


FIG. 1

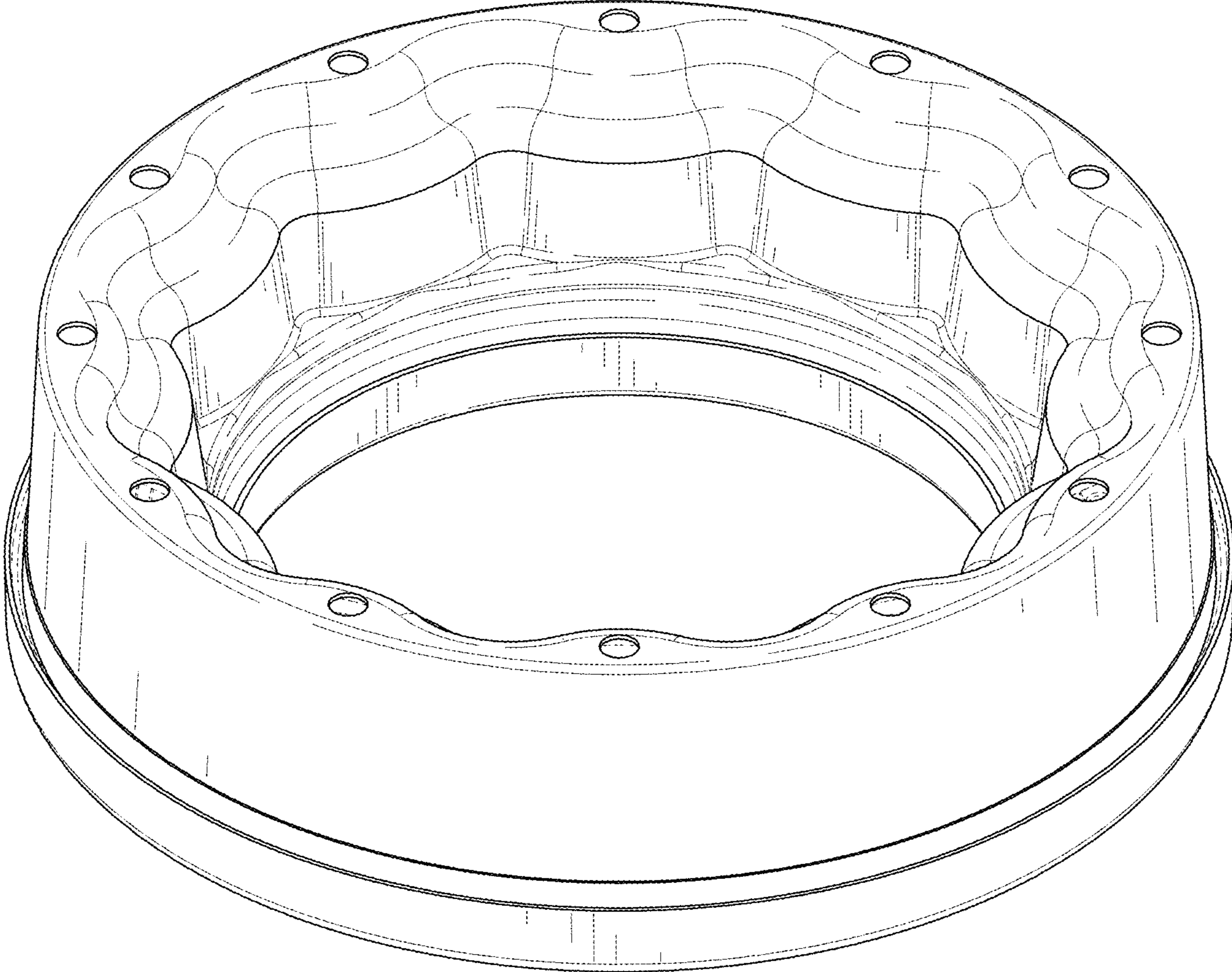


FIG. 2

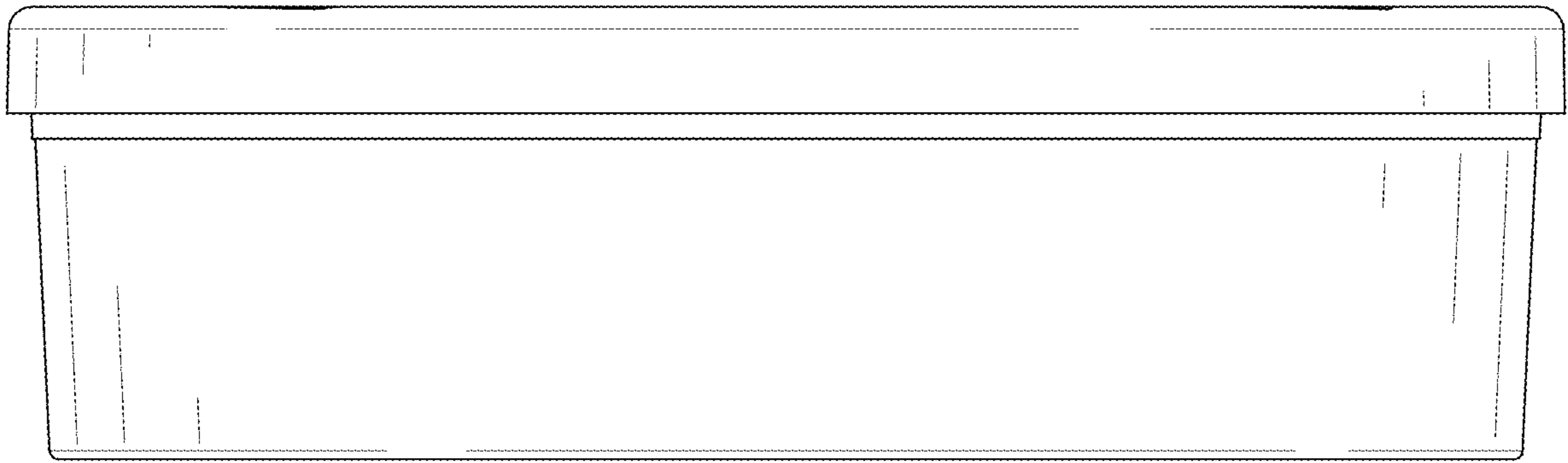


FIG. 3

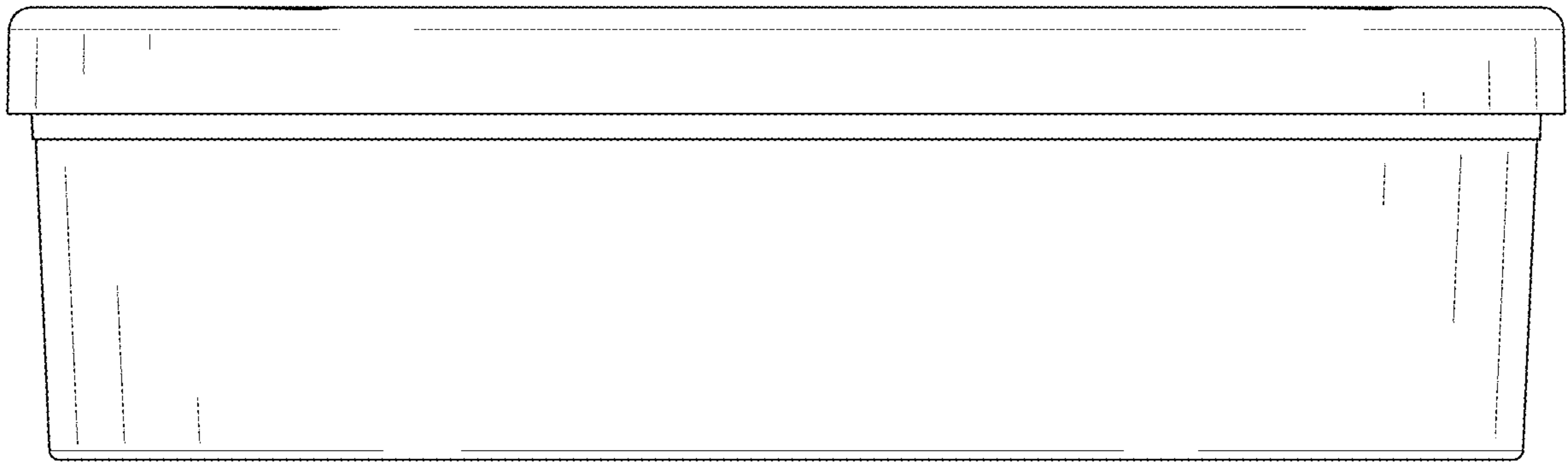


FIG. 4

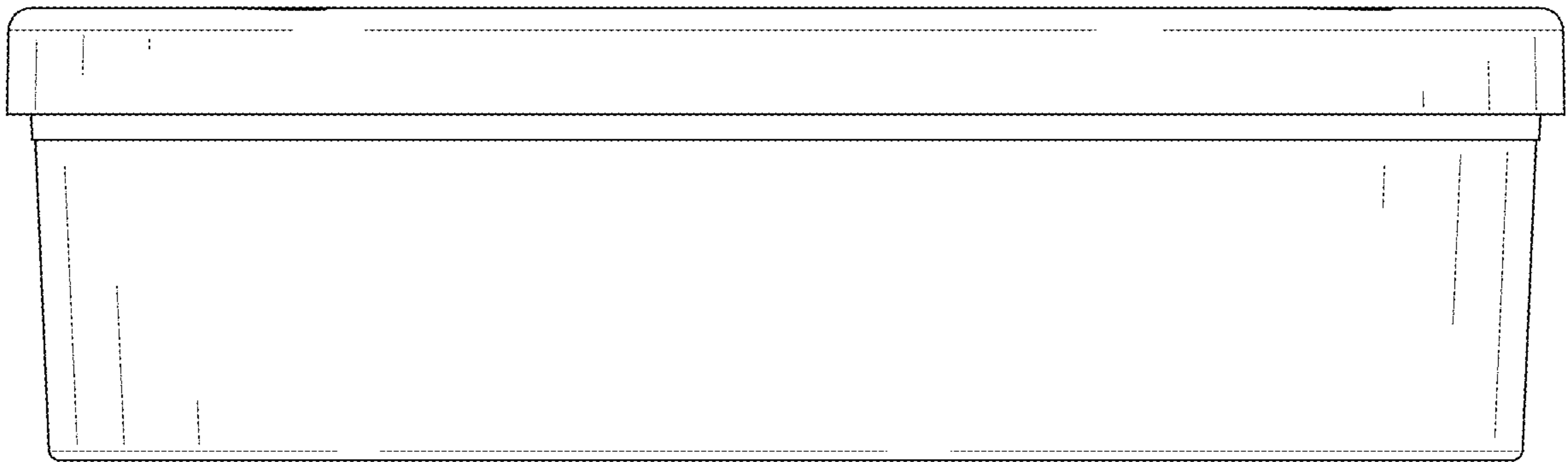


FIG. 5

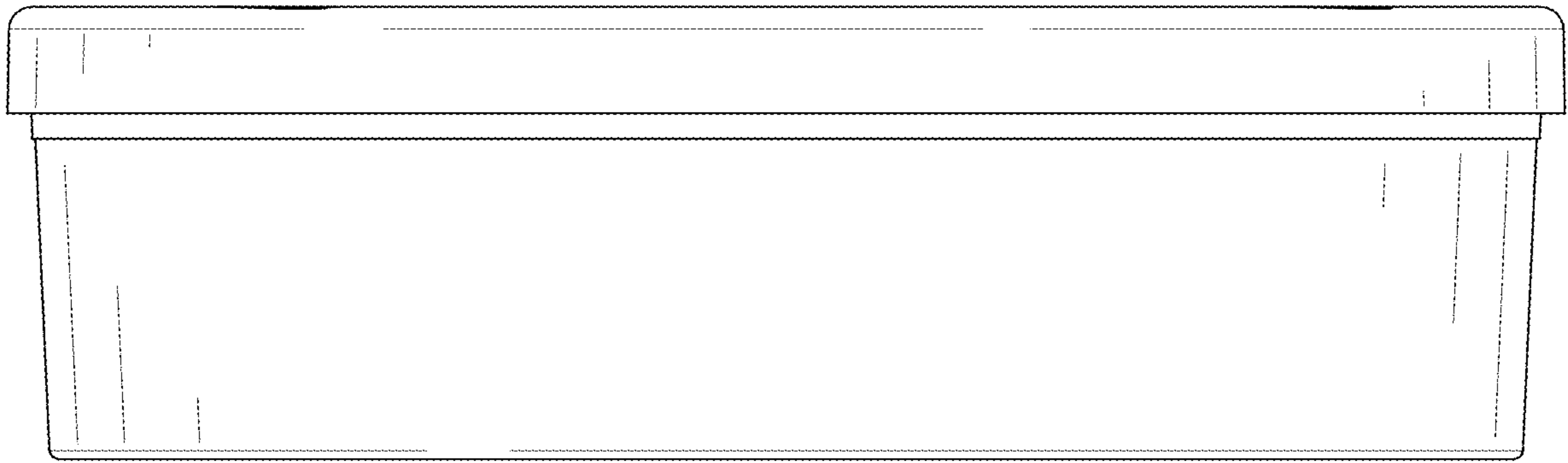


FIG. 6



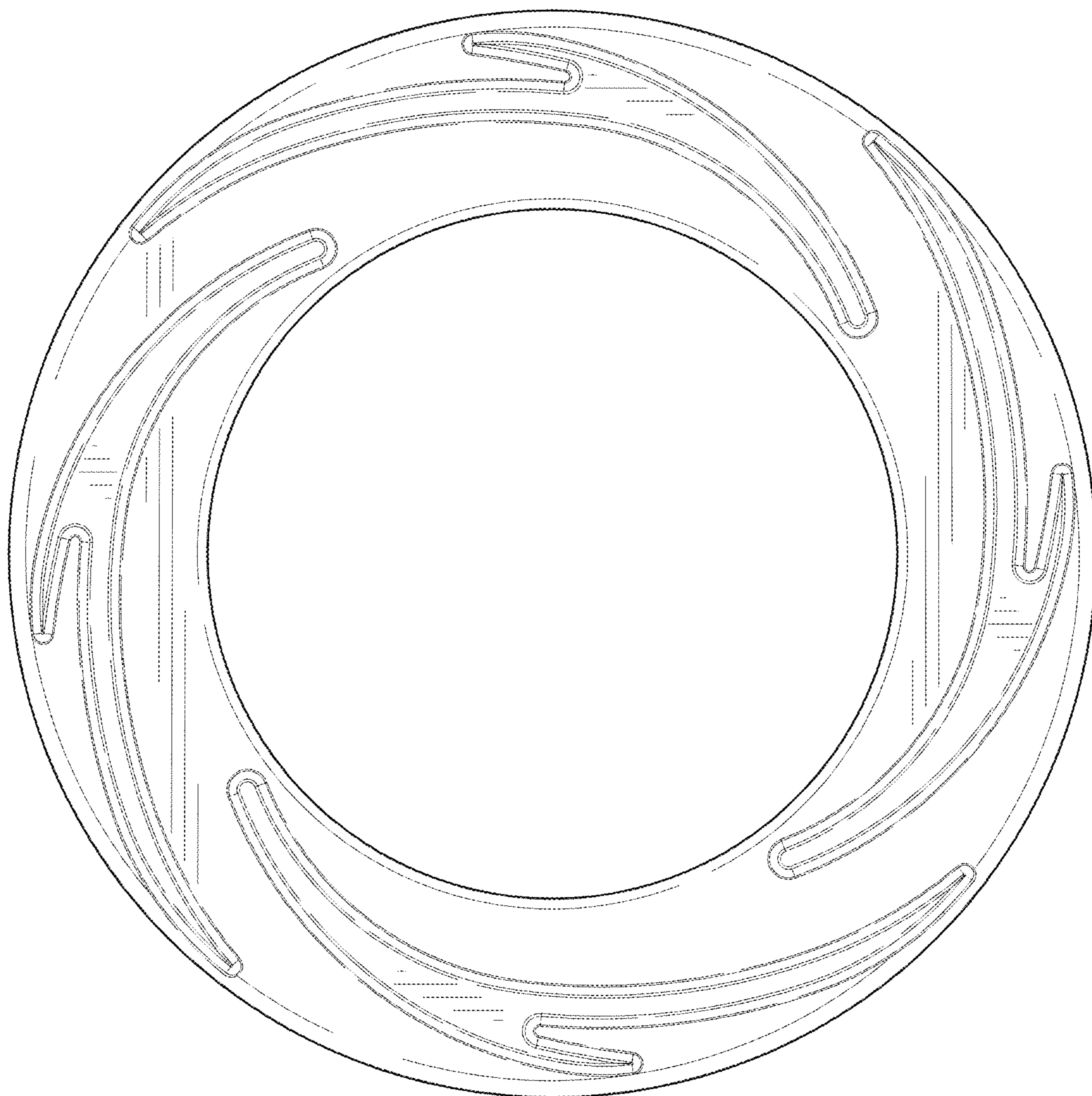


FIG. 7

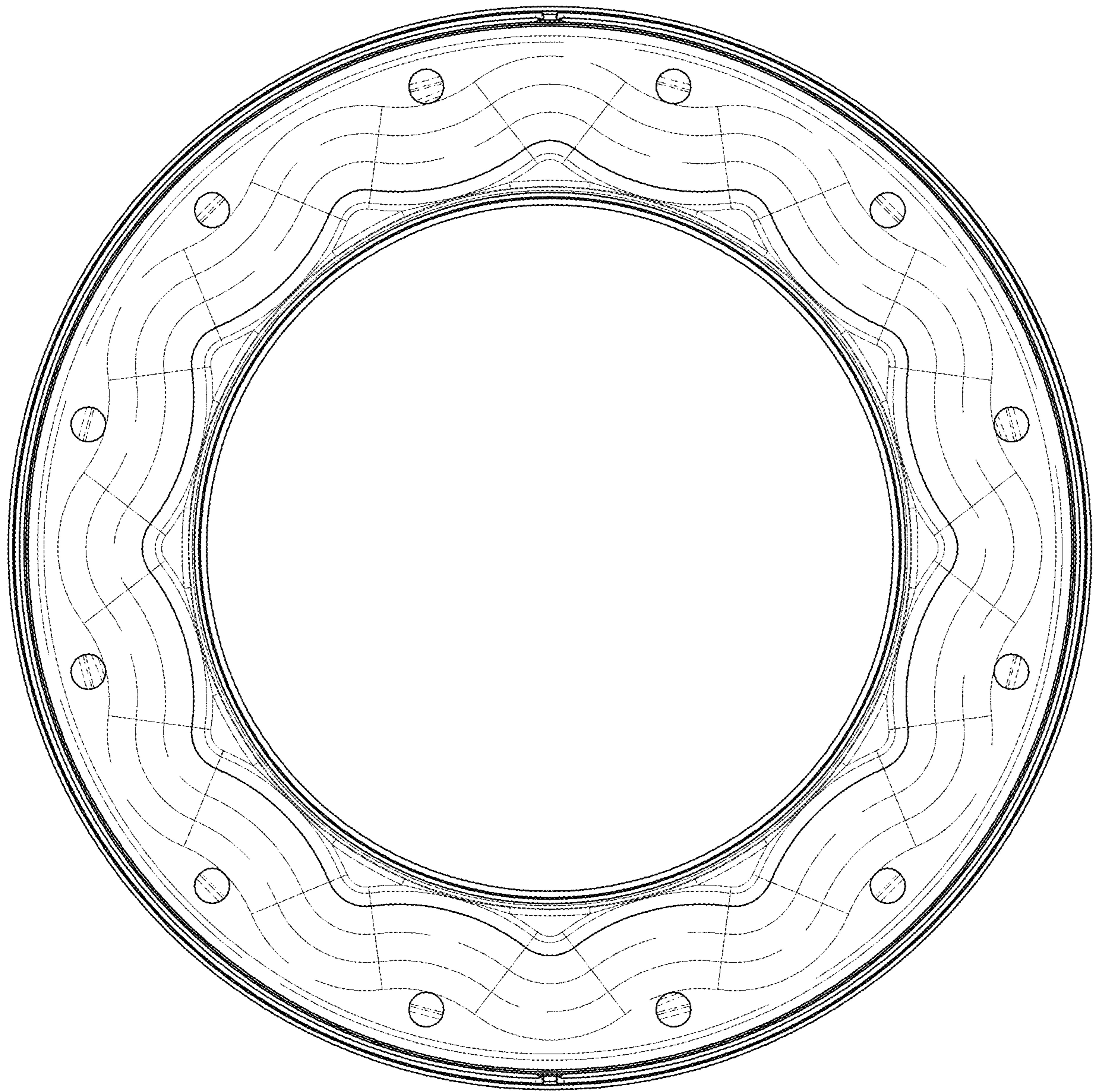


FIG. 8

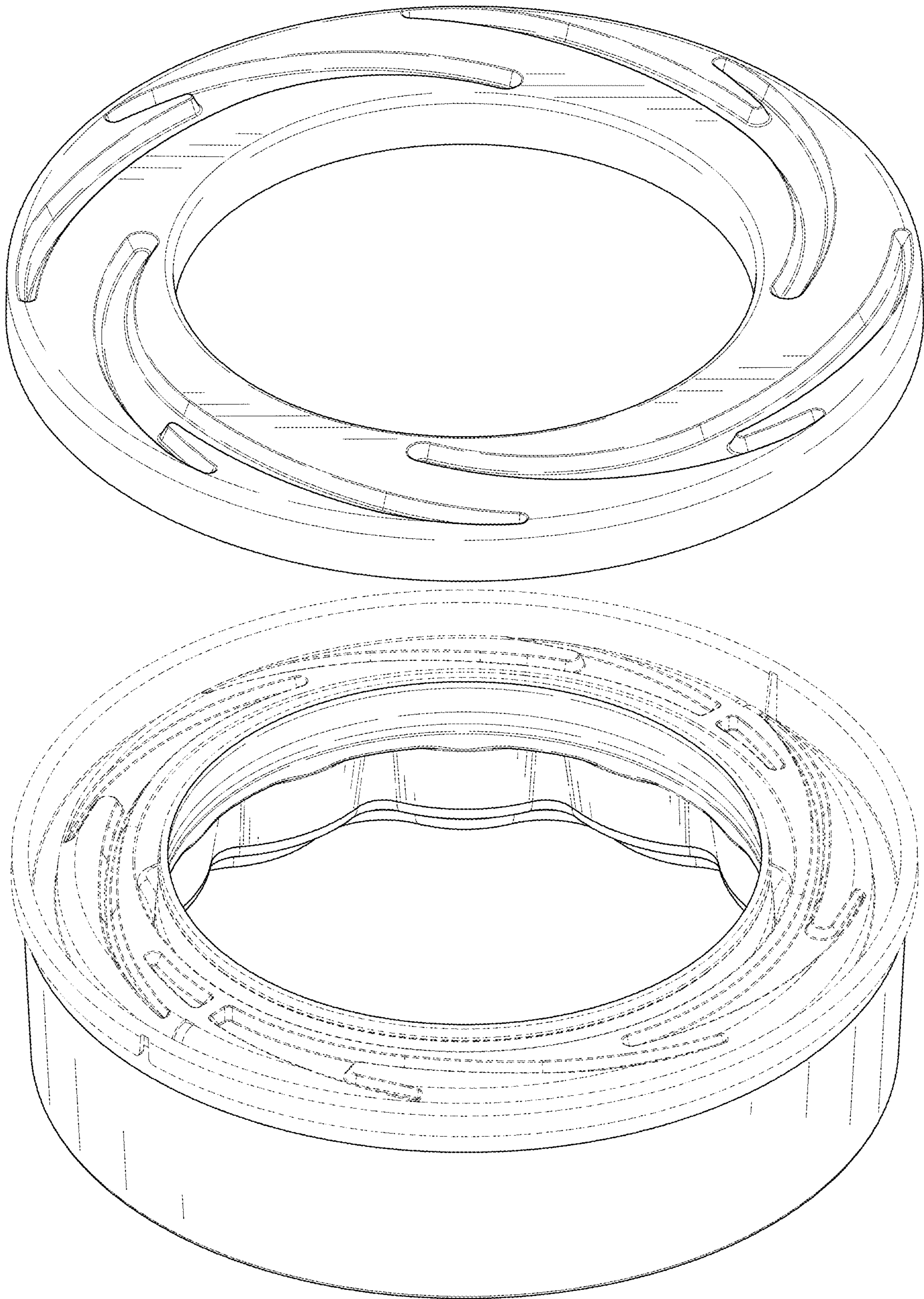


FIG. 9