



US00D947557S

(12) **United States Design Patent** (10) **Patent No.:** **US D947,557 S**
Engesvik et al. (45) **Date of Patent:** **** Apr. 5, 2022**

(54) **SEATING FURNITURE**

(71) Applicant: **VESTRE AS**, Oslo (NO)

(72) Inventors: **Andreas Engesvik**, Oslo (NO); **Jonas Stokke**, Oslo (NO)

(73) Assignee: **VESTRE AS**, Oslo (NO)

(**) Term: **15 Years**

(21) Appl. No.: **29/812,351**

(22) Filed: **Oct. 20, 2021**

Related U.S. Application Data

(62) Division of application No. 29/704,626, filed on Sep. 5, 2019.

(51) **LOC (13) Cl.** **06-01**

(52) **U.S. Cl.**
USPC **D6/349**

(58) **Field of Classification Search**
USPC D6/334-336, 349, 355, 369, 370, 371, D6/372, 373, 374, 375, 376, 379, 380, D6/381, 716.1, 691.3, 691.6
CPC A47C 11/00; A47C 11/02; A47C 13/00; A47C 16/00; A47C 5/02; A47C 5/04
See application file for complete search history.

(56) **References Cited**

U.S. PATENT DOCUMENTS

D215,430 S * 9/1969 Suzuki D6/349
D496,801 S * 10/2004 Vanderminde, Sr. D6/349
D583,160 S * 12/2008 Balsley D6/355
D661,129 S * 6/2012 Schweikarth D6/691.3

OTHER PUBLICATIONS

U-Leg Backless Wire Bench, from xpblocker.com, Retrieved Date: Jan. 10, 2022, p. 1, from https://xpblocker.com/product_info.php/leg-wire-bench-backless-p-232?language=en (Year: 2021).*

* cited by examiner

Primary Examiner — Mimoso De

(74) *Attorney, Agent, or Firm* — Kolisch Hartwell, P.C.

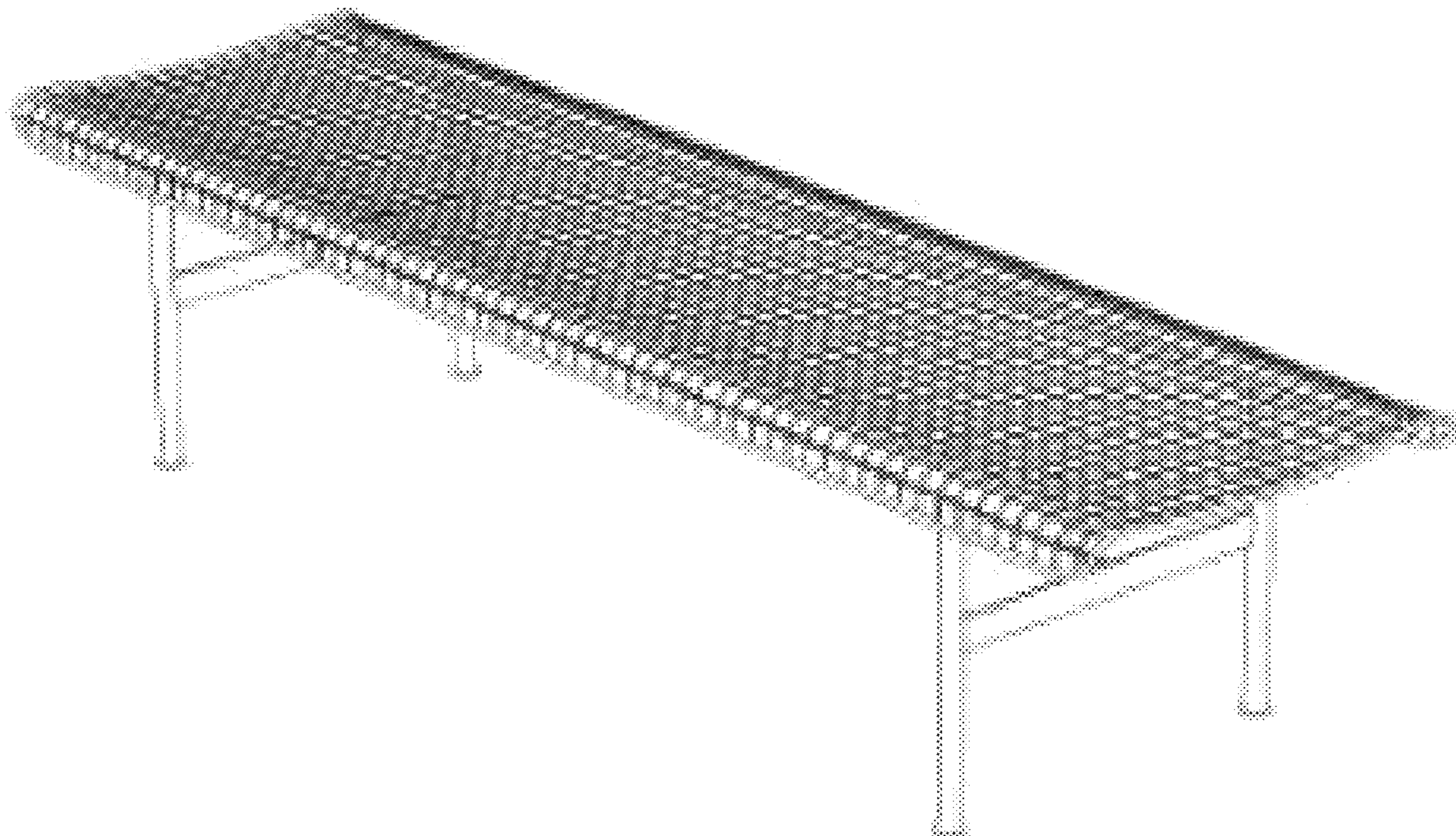
(57) **CLAIM**

The ornamental design for seating furniture, as shown.

DESCRIPTION

FIG. 1 is a perspective view of a piece of seating furniture showing the new design;
FIG. 2 is a front elevation view thereof;
FIG. 3 is a left side elevation view thereof; and,
FIG. 4 is a top plan view thereof.

1 Claim, 2 Drawing Sheets



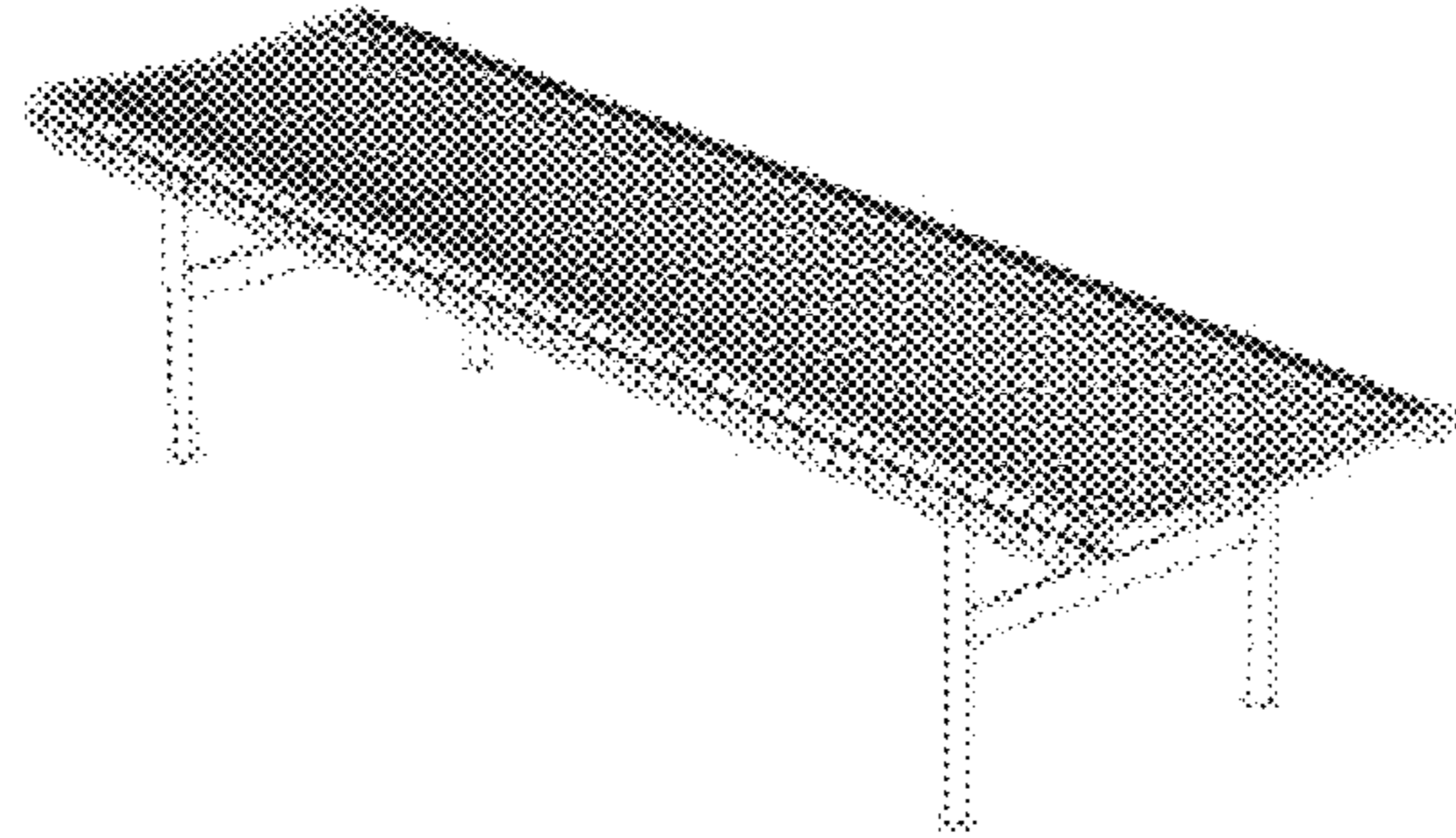


Fig. 1

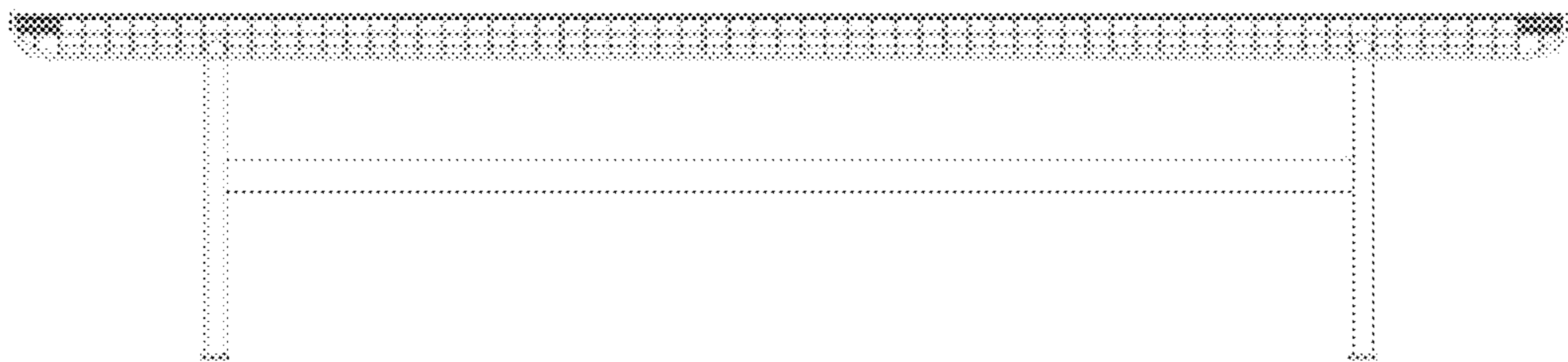


Fig. 2

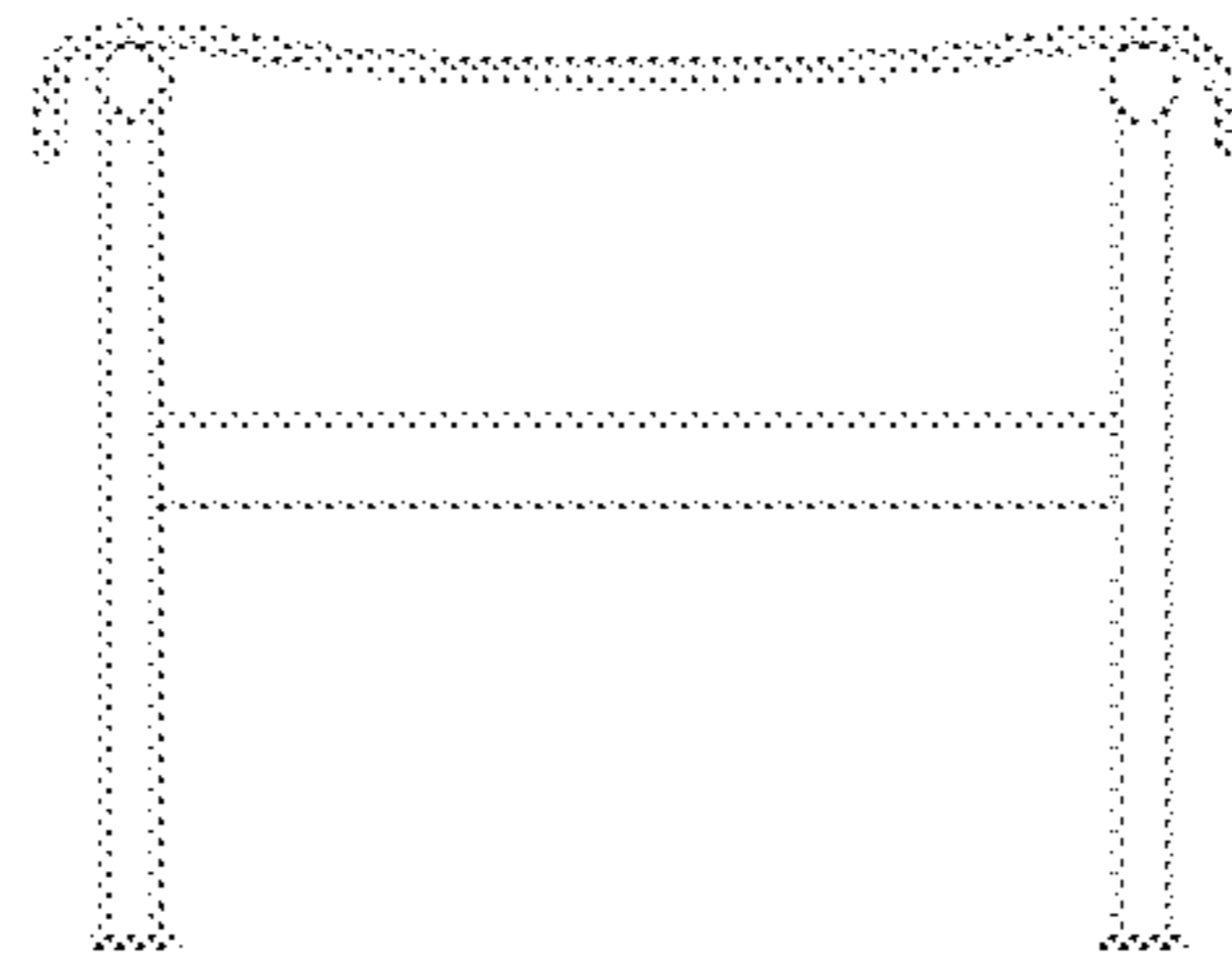


Fig. 3

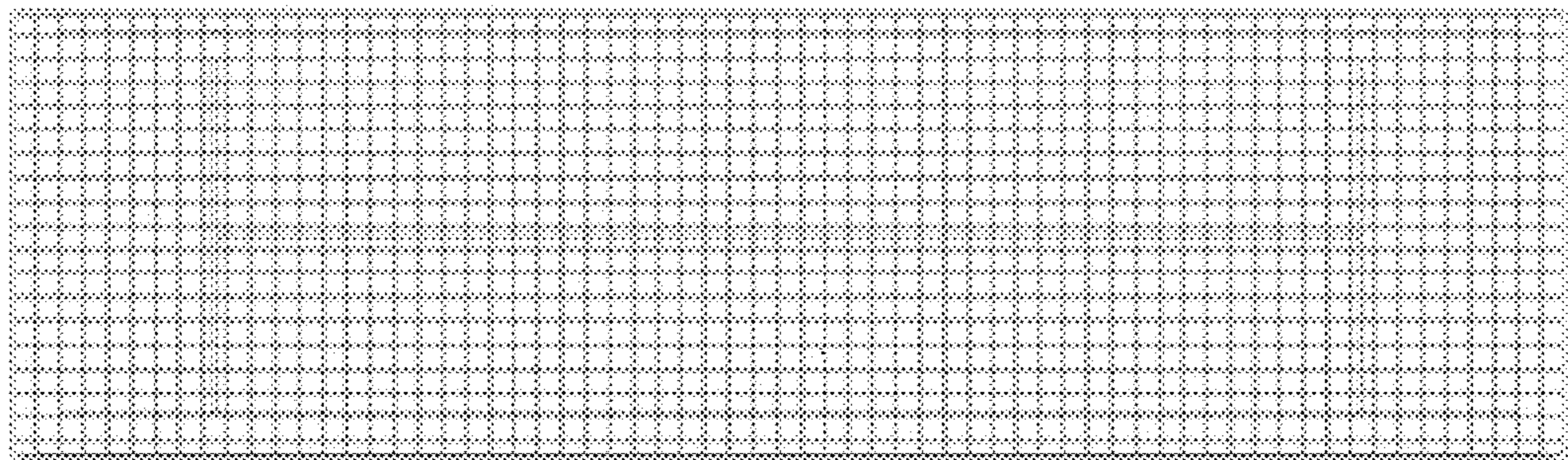


Fig. 4