



US00D947552S

(12) **United States Design Patent** (10) **Patent No.:** **US D947,552 S**  
**Shin et al.** (45) **Date of Patent:** **\*\* Apr. 5, 2022**

(54) **SMART MAKEUP MIRROR DEVICE**  
(71) Applicant: **ICON AI Inc.**, Seoul (KR)  
(72) Inventors: **Min Young Shin**, Seoul (KR); **Jin Young Yang**, Seoul (KR)  
(73) Assignee: **ICON AI Inc.**, Seoul (KR)  
(\*\*) Term: **15 Years**  
(21) Appl. No.: **35/510,347**  
(22) Filed: **Nov. 15, 2019**

D738,118 S \* 9/2015 Gyanendra ..... D6/310  
D779,836 S \* 2/2017 Bailey ..... D6/309  
D793,099 S \* 8/2017 Bailey ..... D6/309  
D816,350 S \* 5/2018 Yang ..... D6/309  
D830,070 S \* 10/2018 Liu ..... D6/309  
D840,699 S \* 2/2019 Xie ..... D6/309  
D850,125 S \* 6/2019 Wang ..... D6/309  
D865,375 S \* 11/2019 Yang ..... D6/310  
D869,863 S \* 12/2019 Liu ..... D6/310  
D871,084 S \* 12/2019 Pestl ..... D6/309  
D874,161 S \* 2/2020 Yang ..... D6/309  
D879,481 S \* 3/2020 Yang ..... D6/309  
D879,482 S \* 3/2020 Yang ..... D6/309

(Continued)

(80) **Hague Agreement Data**

Int. Filing Date: **Nov. 15, 2019**  
Int. Reg. No.: **DM/210243**  
Int. Reg. Date: **Nov. 15, 2019**  
Int. Reg. Pub. Date: **Sep. 18, 2020**

(51) **LOC (13) Cl.** ..... **06-07**  
(52) **U.S. Cl.**  
USPC ..... **D6/309; D6/308; D6/312; D14/172**

(58) **Field of Classification Search**  
USPC ..... D6/300, 308, 309, 310, 301, 303, 304,  
D6/312; D14/172; D21/578, 579;  
D26/51, 52, 56, 61, 63, 64, 65  
CPC ..... A45D 44/005; A45D 42/00; A45D 42/08;  
A45D 42/14; A45D 42/16; A45D 42/10;  
A45D 2044/007; A45D 40/18; A45D  
33/32; A47G 1/00; A47G 1/02; A47G  
1/24; A47G 2001/1673; A47G 2200/08;  
A47G 2200/14; A47G 2200/143; A47G  
2200/146; G06F 1/1605; G06F 3/005;  
G06F 3/011; G06F 3/041; G06F 3/167;  
H04R 1/028; H04R 2430/01; G06T  
2207/30201; B60R 1/12; B60R  
2001/1269; G09F 13/12  
See application file for complete search history.

(56) **References Cited**

**U.S. PATENT DOCUMENTS**

D736,001 S \* 8/2015 Yang ..... D6/309  
D737,060 S \* 8/2015 Yang ..... D6/310

**OTHER PUBLICATIONS**

Venus Smart Makeup Mirror, posted at Trustedreviews.com, posted on Jan. 6, 2020, site visited Jul. 12, 2021. online, available from internet: <https://www.trustedreviews.com/news/ces-2020-alexapowered-smart-mirror-gives-personal-beauty-tips-3966826> (Year: 2020).\*

*Primary Examiner* — Mary Ann Calabrese  
*Assistant Examiner* — Catherine Ho  
(74) *Attorney, Agent, or Firm* — Maier & Maier, PLLC

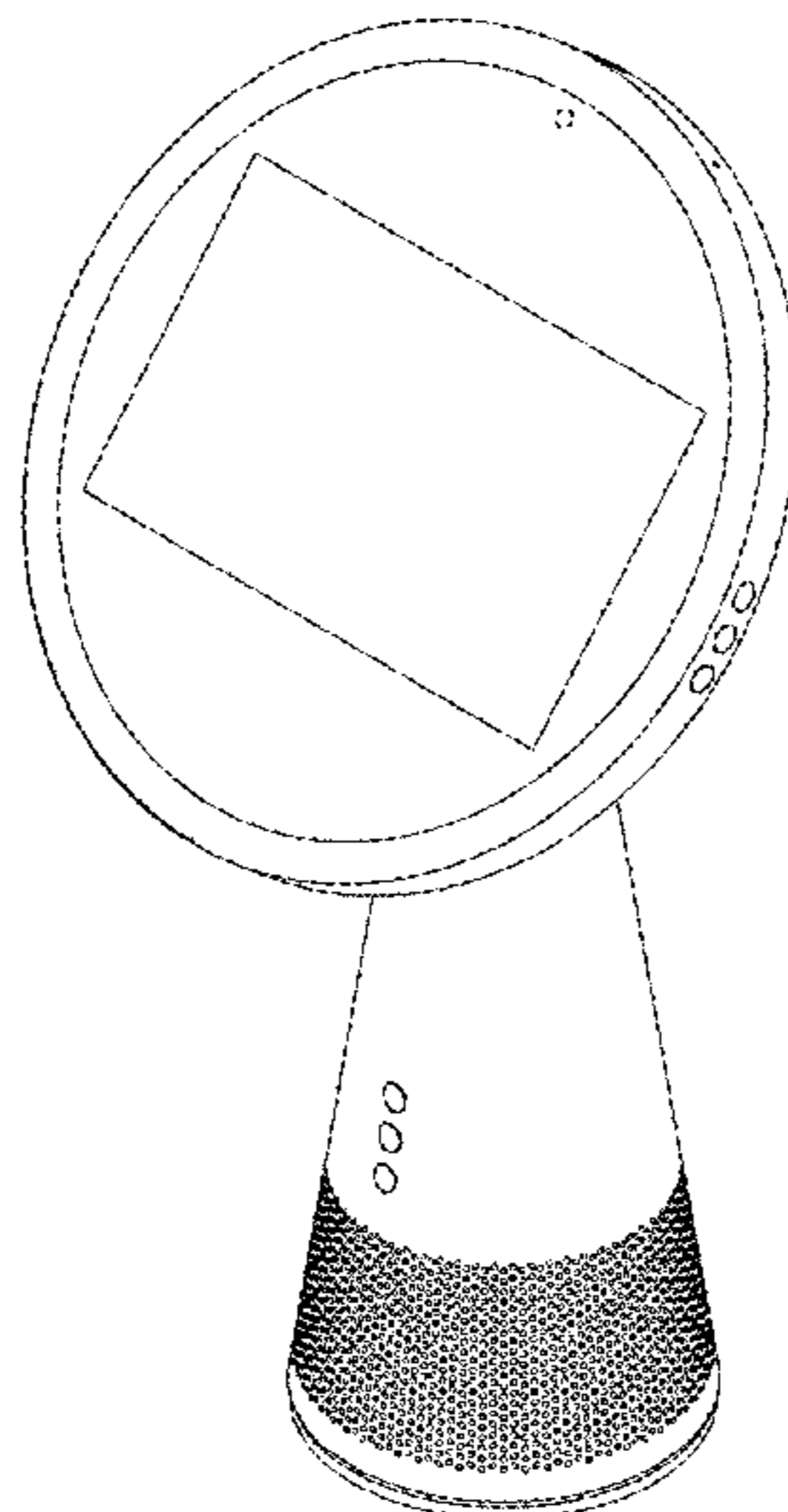
(57) **CLAIM**

The ornamental design for a smart makeup mirror device, as shown and described.

**DESCRIPTION**

- 1. Smart makeup mirror device
- 1.1 : Perspective
- 1.2 : Front
- 1.3 : Back
- 1.4 : Left
- 1.5 : Right
- 1.6 : Top
- 1.7 : Bottom
- 1.8 : A bottom perspective view
- 1.9 : A right view shown in alternate position

**1 Claim, 9 Drawing Sheets**



(56)

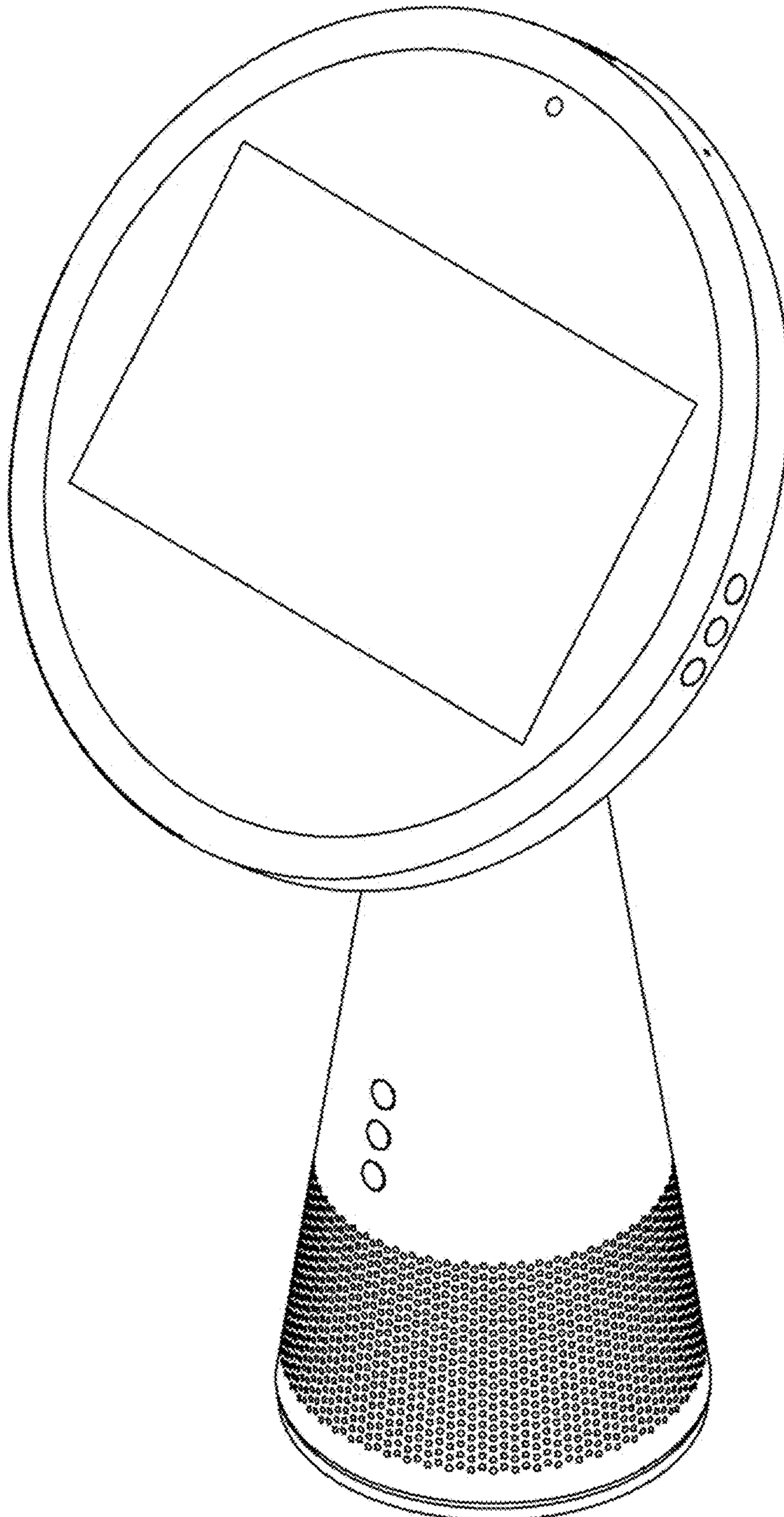
**References Cited**

## U.S. PATENT DOCUMENTS

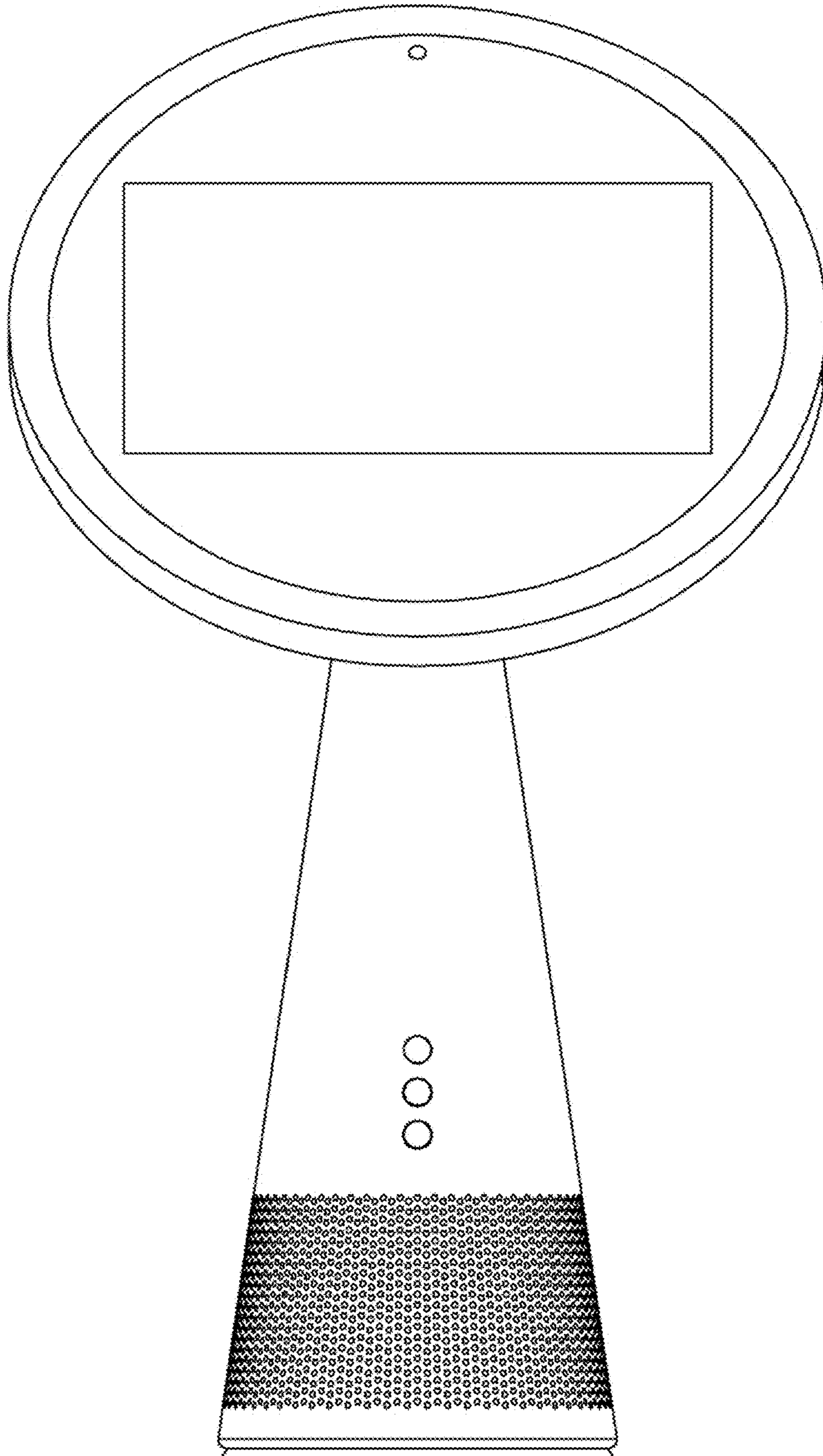
D882,280	S	*	4/2020	Yang	.....	D6/309
D885,769	S	*	6/2020	Wang	.....	D6/309
D891,121	S	*	7/2020	Zhao	.....	D6/308
D891,123	S	*	7/2020	Li	.....	D6/310
D891,792	S	*	8/2020	Yang	.....	D6/309
D892,508	S	*	8/2020	Yang	.....	D6/309
D893,892	S	*	8/2020	Rajasekaran	.....	D6/310
D894,615	S	*	9/2020	Yang	.....	D6/309
D895,305	S	*	9/2020	Yang	.....	D6/309
D895,306	S	*	9/2020	Liu	.....	D6/310
D897,694	S	*	10/2020	Lin	.....	D6/309
D897,695	S	*	10/2020	Yang	.....	D6/309
D898,383	S	*	10/2020	Zhou	.....	D6/308
D898,386	S	*	10/2020	Huang	.....	D6/309
D898,387	S	*	10/2020	Yang	.....	D6/309
D901,908	S	*	11/2020	Zhao	.....	D6/309
D905,447	S	*	12/2020	Yang	.....	D6/310
D909,770	S	*	2/2021	Li	.....	D6/309
D918,602	S	*	5/2021	Chen	.....	D6/309
D919,982	S	*	5/2021	Yang	.....	D6/309
D924,456	S	*	7/2021	Zhao	.....	D26/56
2018/0172265	A1	*	6/2018	Yang	.....	A47G 1/02
2018/0263362	A1	*	9/2018	Yang	.....	A47G 1/04
2019/0003699	A1	*	1/2019	Mondora	.....	F21V 33/004
2021/0137266	A1	*	5/2021	Pestl	.....	H04N 5/2253

\* cited by examiner

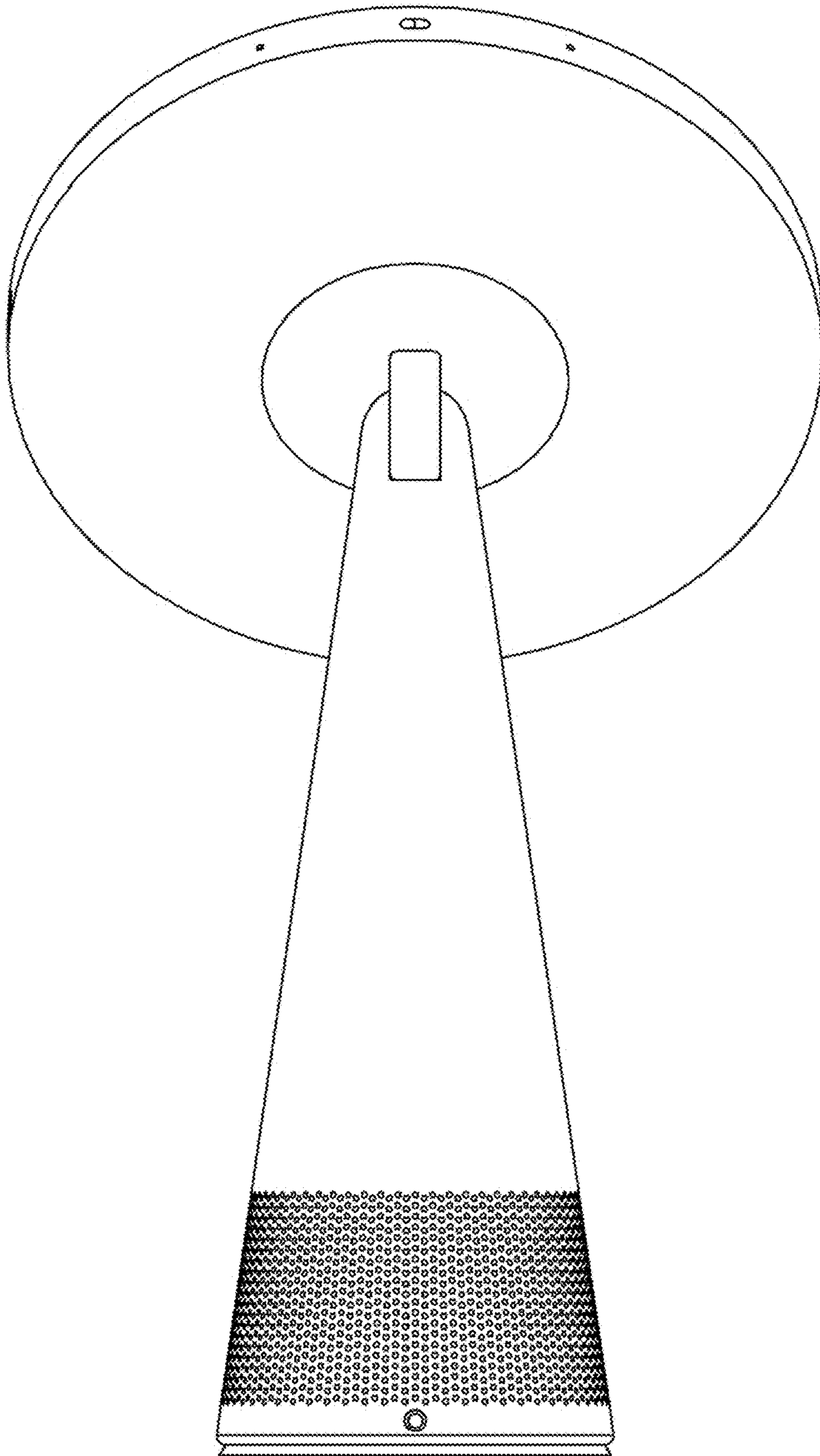
1.1



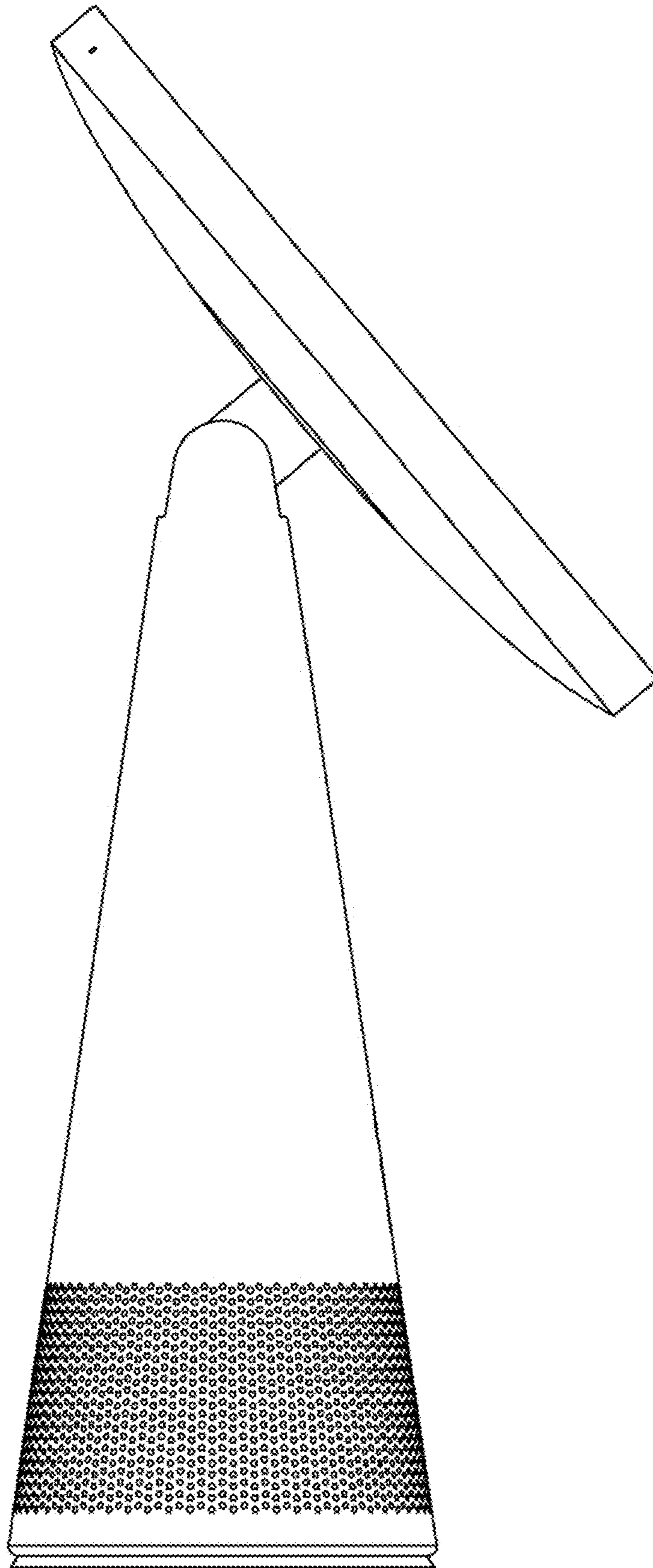
1.2



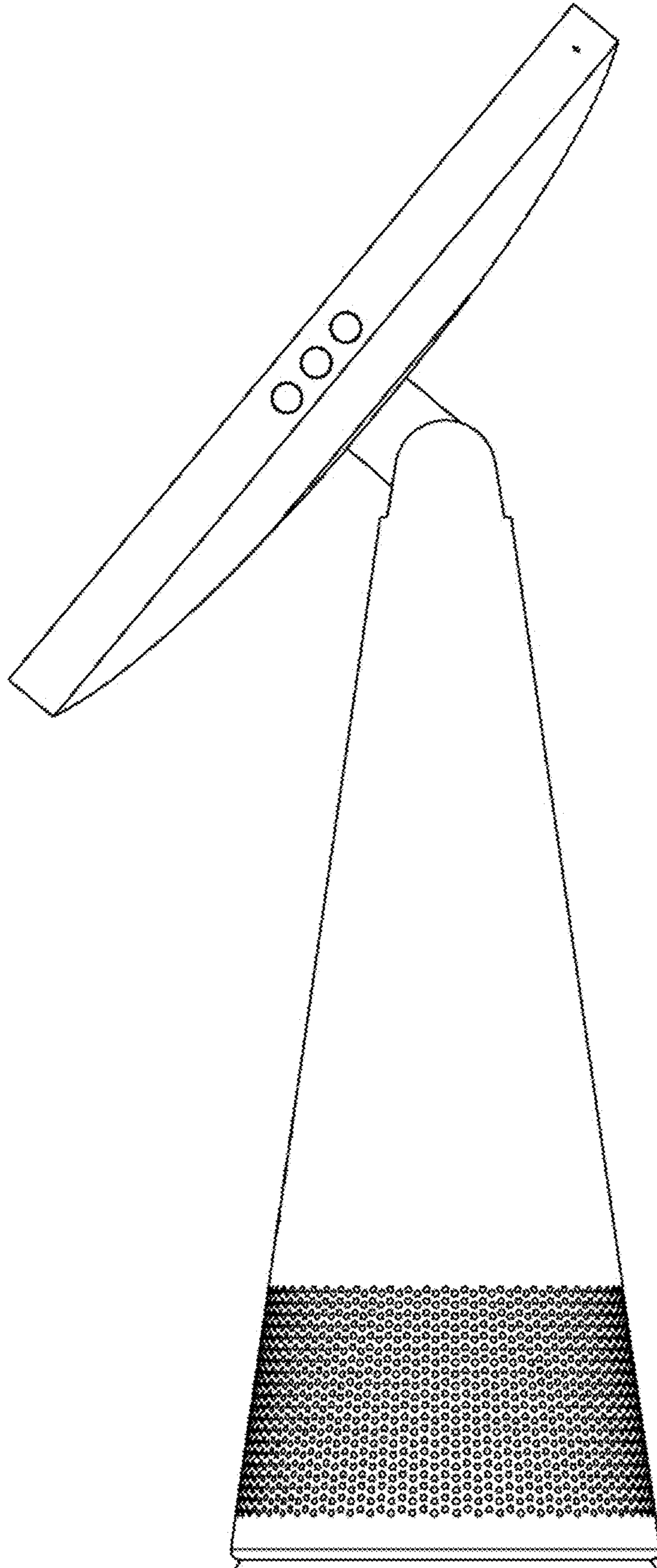
1.3



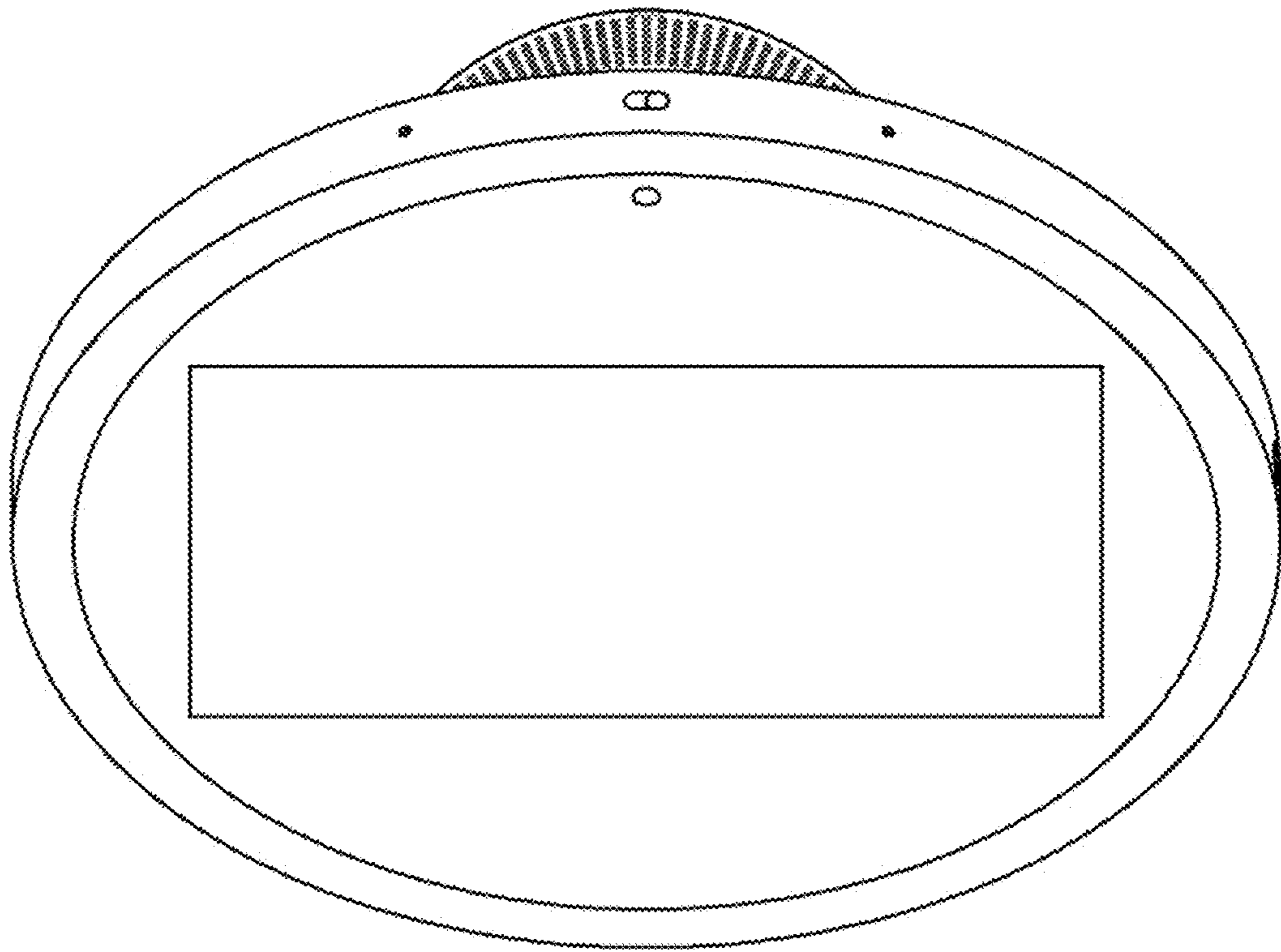
1.4



1.5

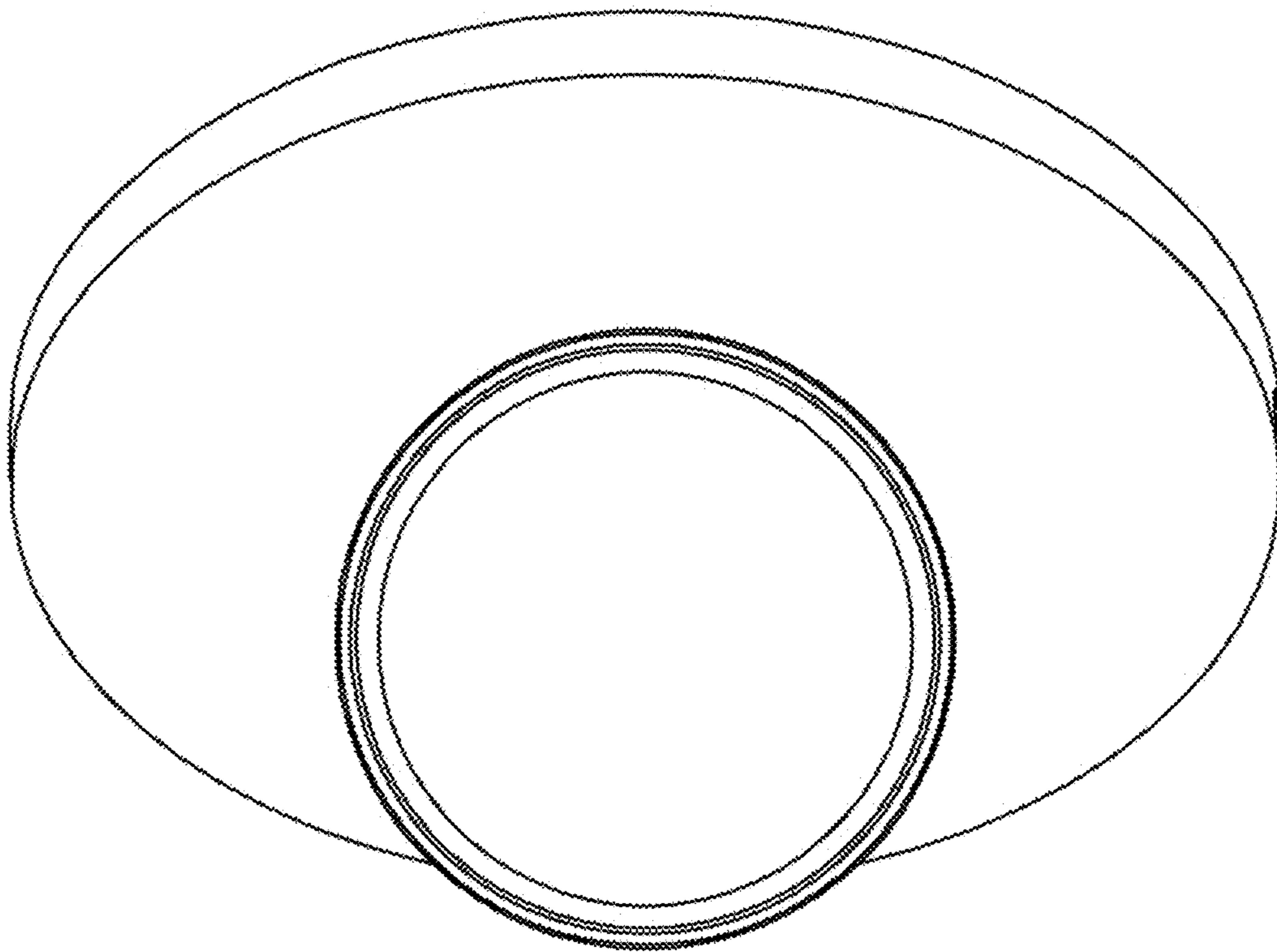


1.6

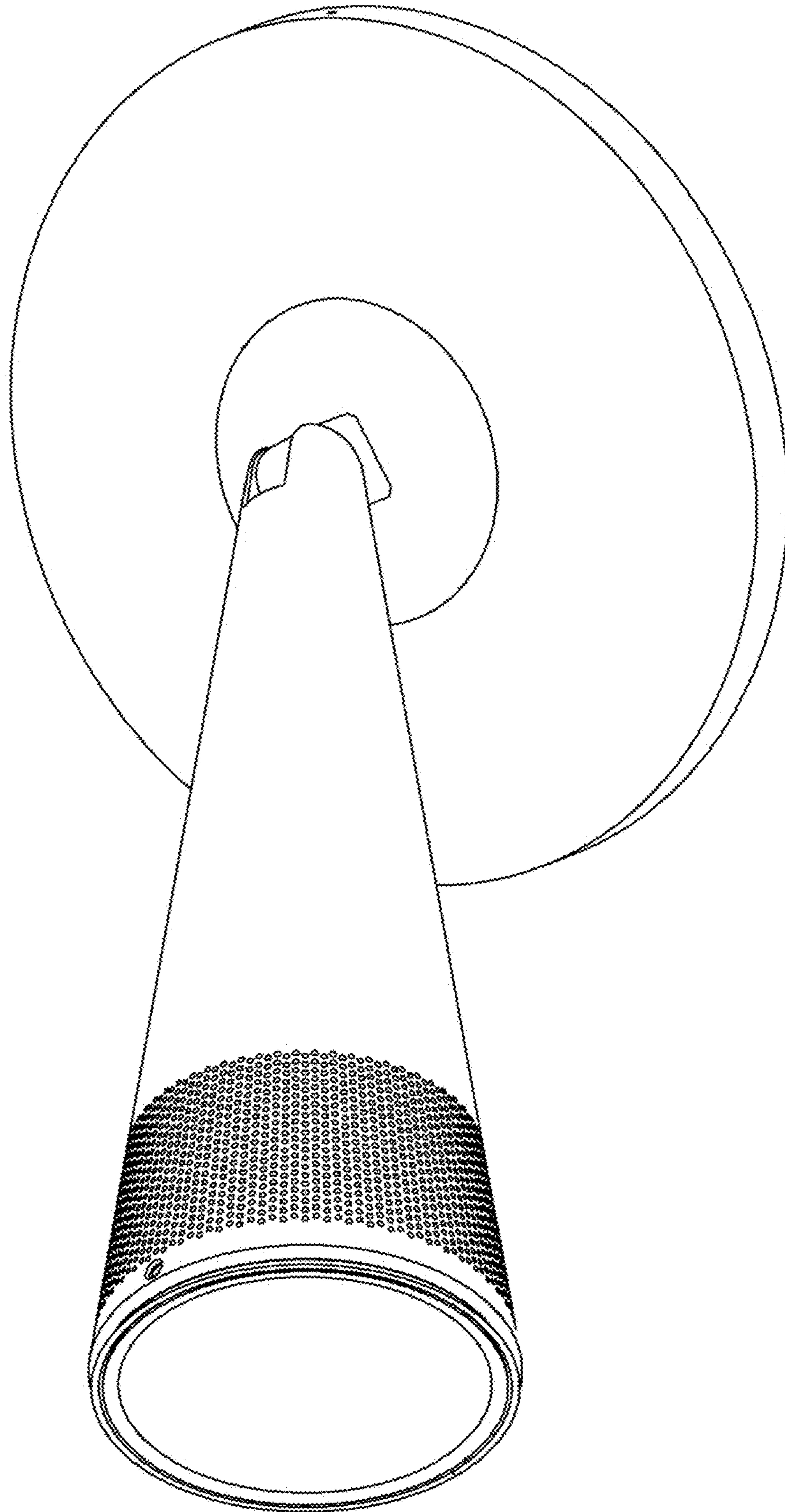




1.7



1.8



1.9

