



US00D947551S

(12) **United States Design Patent** (10) **Patent No.:** **US D947,551 S**
Yu (45) **Date of Patent:** **** Apr. 5, 2022**

(54) **MIRROR**

FOREIGN PATENT DOCUMENTS

(71) Applicant: **Xiaoyan Yu**, Shenzhen (CN)

CN 306701509 * 4/2021

(72) Inventor: **Xiaoyan Yu**, Shenzhen (CN)

OTHER PUBLICATIONS

(**) Term: **15 Years**

ZEPHBRA 8" LED Wall Mounted Makeup Mirror [online], [site visited Nov. 17, 2021]. Available from internet, URL:<<https://www.amazon.com/ZEPHBRA-Adjustable-Magnifying-Extendable-Bathroom/dp/B0868R5HWR/>> (Year: 2020).*

(21) Appl. No.: **29/778,331**

(22) Filed: **Apr. 13, 2021**

* cited by examiner

(51) **LOC (13) Cl.** **06-07**

Primary Examiner — Cynthia Ramirez
Assistant Examiner — Xavier Marti-Santos

(52) **U.S. Cl.**

USPC **D6/309**

(58) **Field of Classification Search**

USPC D6/300, 301, 302, 303, 304, 307, 308,
D6/309, 310, 311, 312, 313, 314;
D28/64.1–64.7; D16/135
CPC A45D 42/00; A45D 42/10; A45D 42/16;
A45D 42/20; A45D 42/24; A47G 1/00;
A47G 1/02; A47G 1/04; A47G 1/0622;
B60J 3/0282

See application file for complete search history.

(57) **CLAIM**

The ornamental design for a mirror, as shown and described.

DESCRIPTION

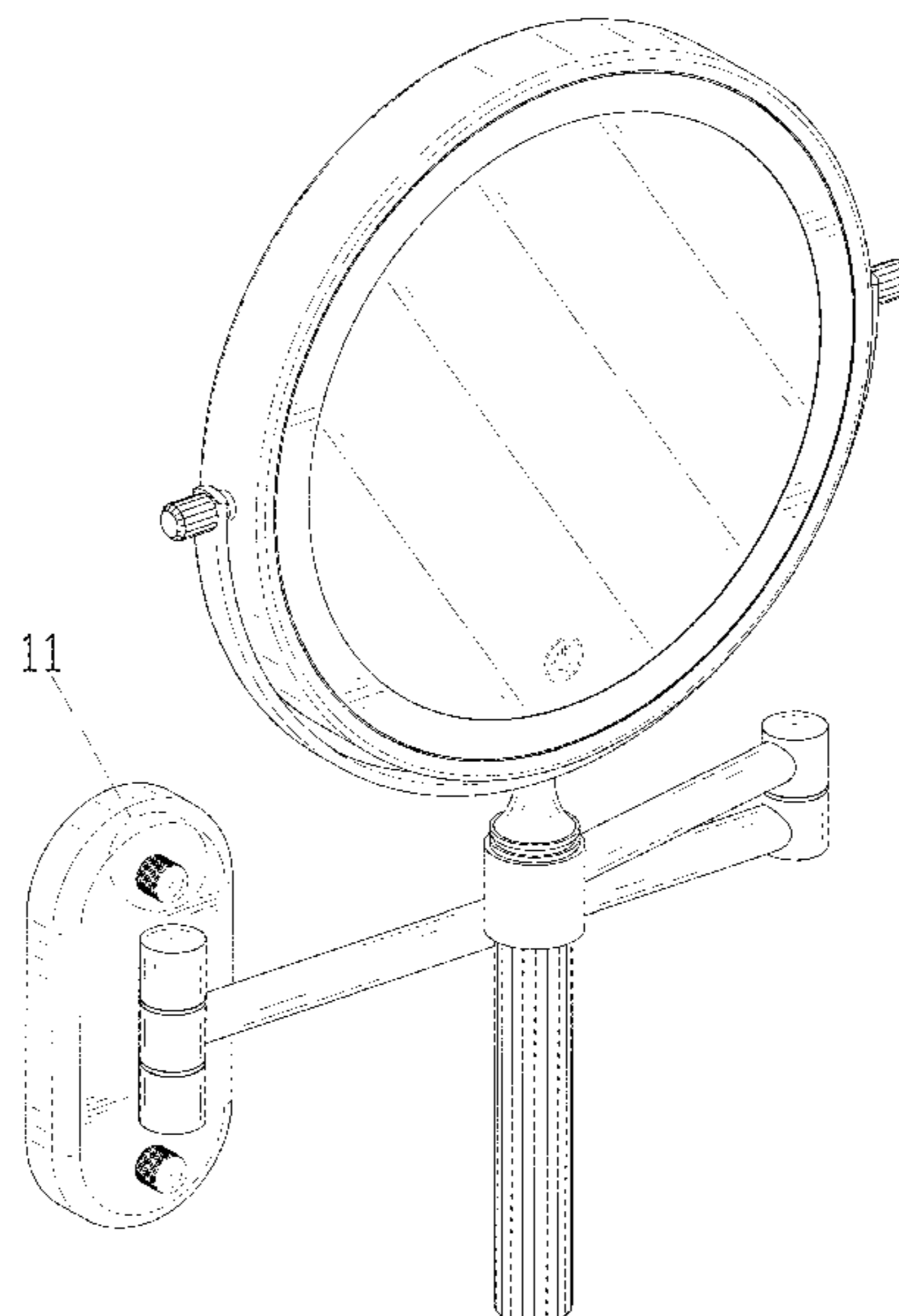
FIG. 1 is a perspective view of a mirror showing my new design;
FIG. 2 is another perspective view thereof;
FIG. 3 is a front elevational view thereof;
FIG. 4 is a rear elevational view thereof;
FIG. 5 is a left side elevational view thereof;
FIG. 6 is a right side elevational view thereof;
FIG. 7 is a top plan view thereof;
FIG. 8 is a bottom plan view thereof;
FIG. 9 is a perspective view of the mirror where the mirror is in a configuration of use;
FIG. 10 is an exploded perspective view of the mirror; and,
FIG. 11 is an enlarged view of portion 11 shown in FIG. 1.
The broken lines in the drawings depict portions of the mirror that form no part of the claimed design. The dash-dot broken lines in the figures are demarcating enlarged areas and form no part of the claimed design.

(56) **References Cited**

U.S. PATENT DOCUMENTS

D225,285 S	*	11/1972	Heckathorn	D6/309
D409,003 S	*	5/1999	Scavini	D6/312
D509,369 S	*	9/2005	Snell	D6/310
D737,059 S	*	8/2015	Tsai	D6/300
D737,580 S	*	9/2015	Tsai	D6/300
D751,829 S	*	3/2016	Yang	D6/309
D802,942 S	*	11/2017	Nikolov	D6/300
D830,706 S	*	10/2018	Pitot	D6/309
D832,599 S	*	11/2018	Zadro	D6/309
D874,162 S	*	2/2020	Greenwalt	D6/310
D902,607 S		11/2020	Liu		
D905,442 S		12/2020	Yang		
D905,976 S	*	12/2020	Yang	D6/310
D919,983 S	*	5/2021	Yang	D6/312
D932,199 S	*	10/2021	Jiang	D6/309
D942,162 S	*	2/2022	Zhang	D6/312

1 Claim, 11 Drawing Sheets



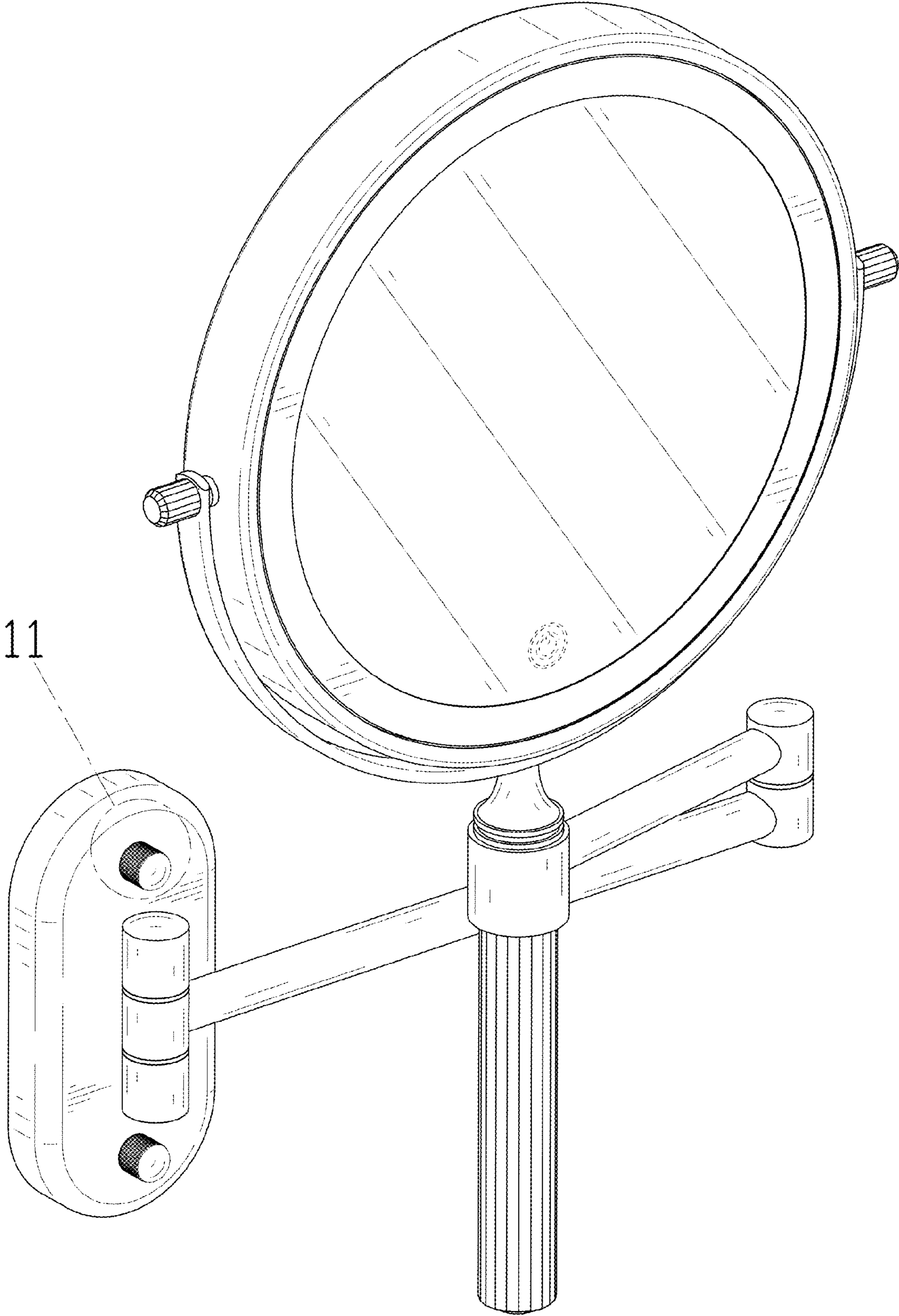


FIG. 1

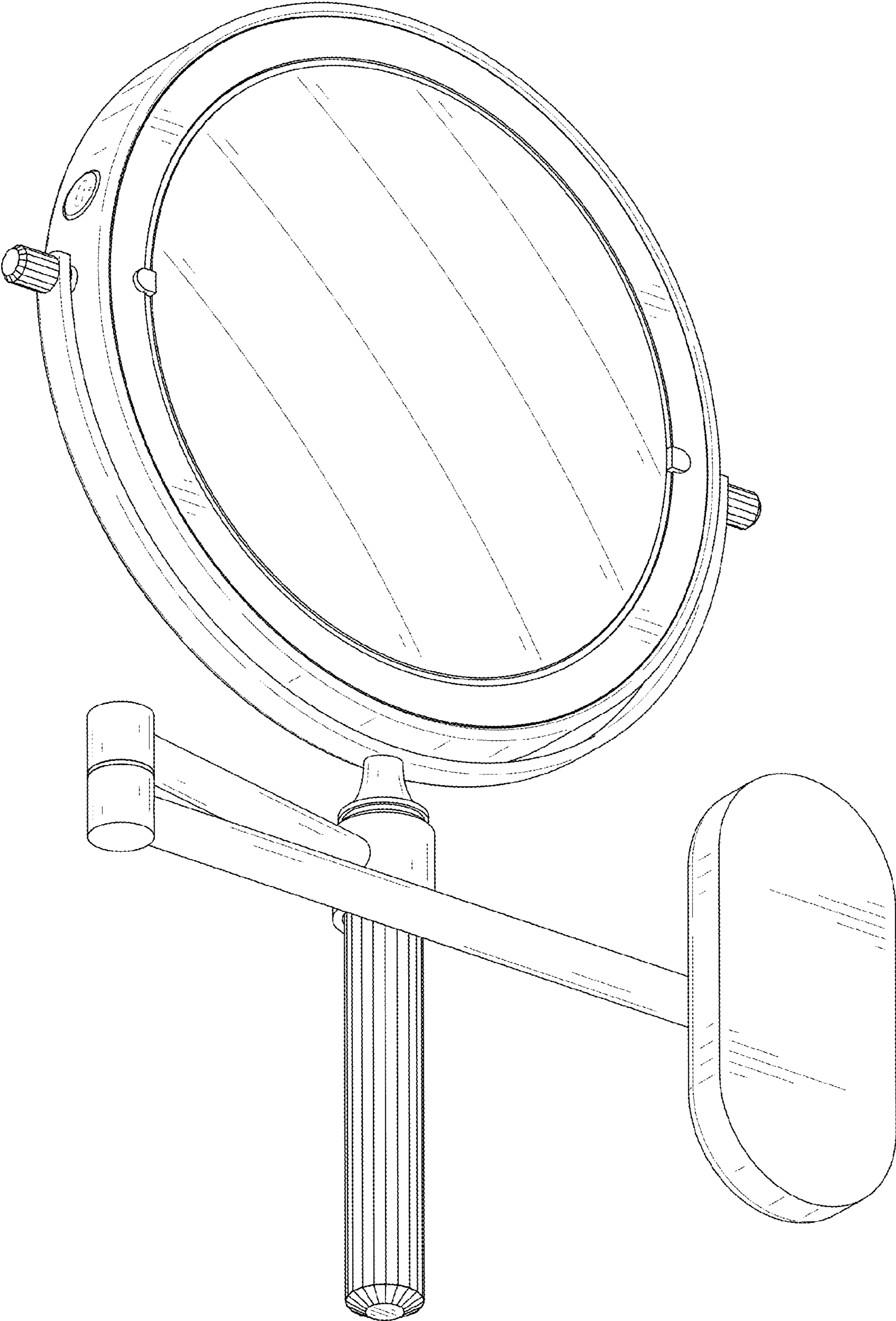


FIG. 2

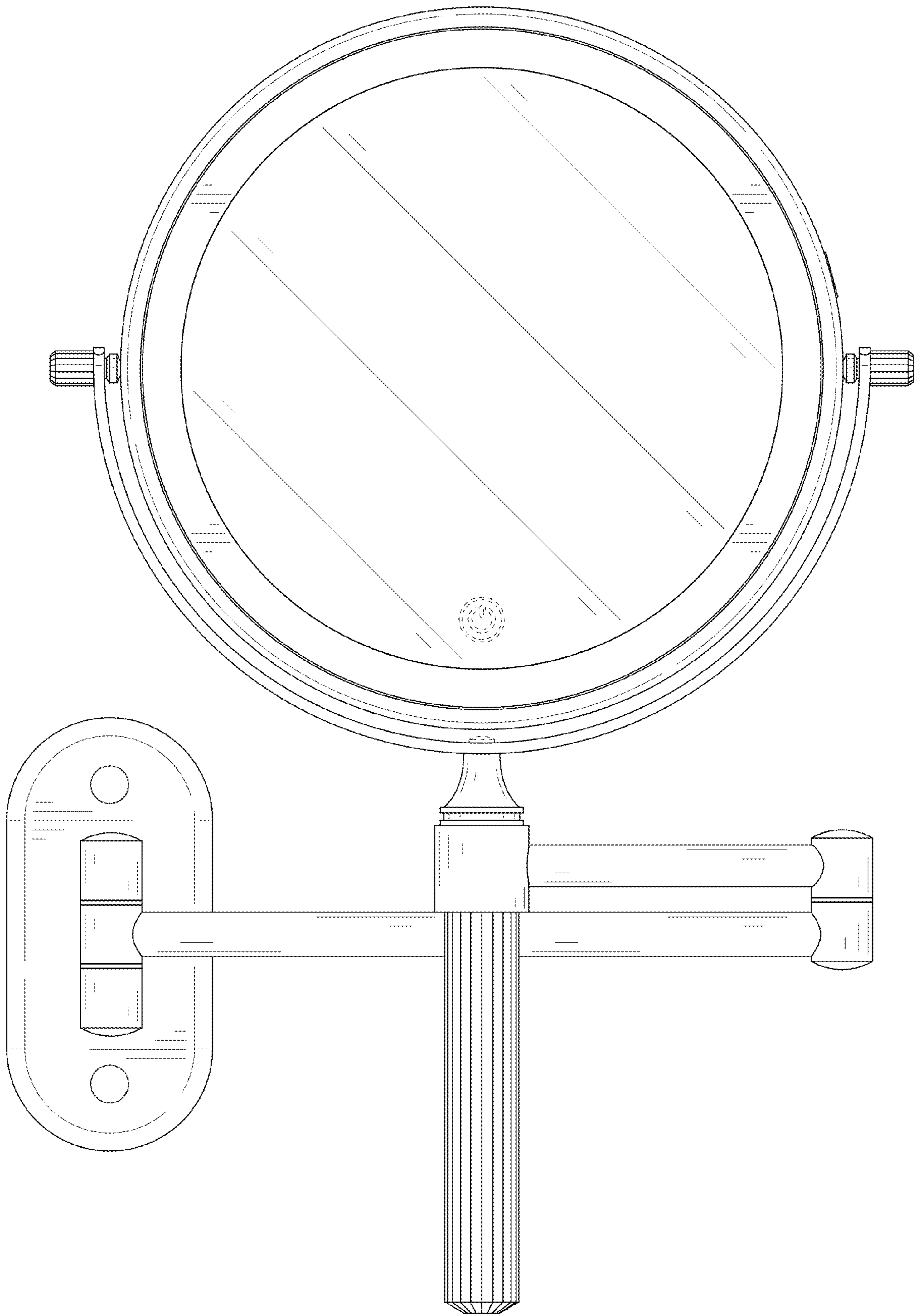


FIG. 3

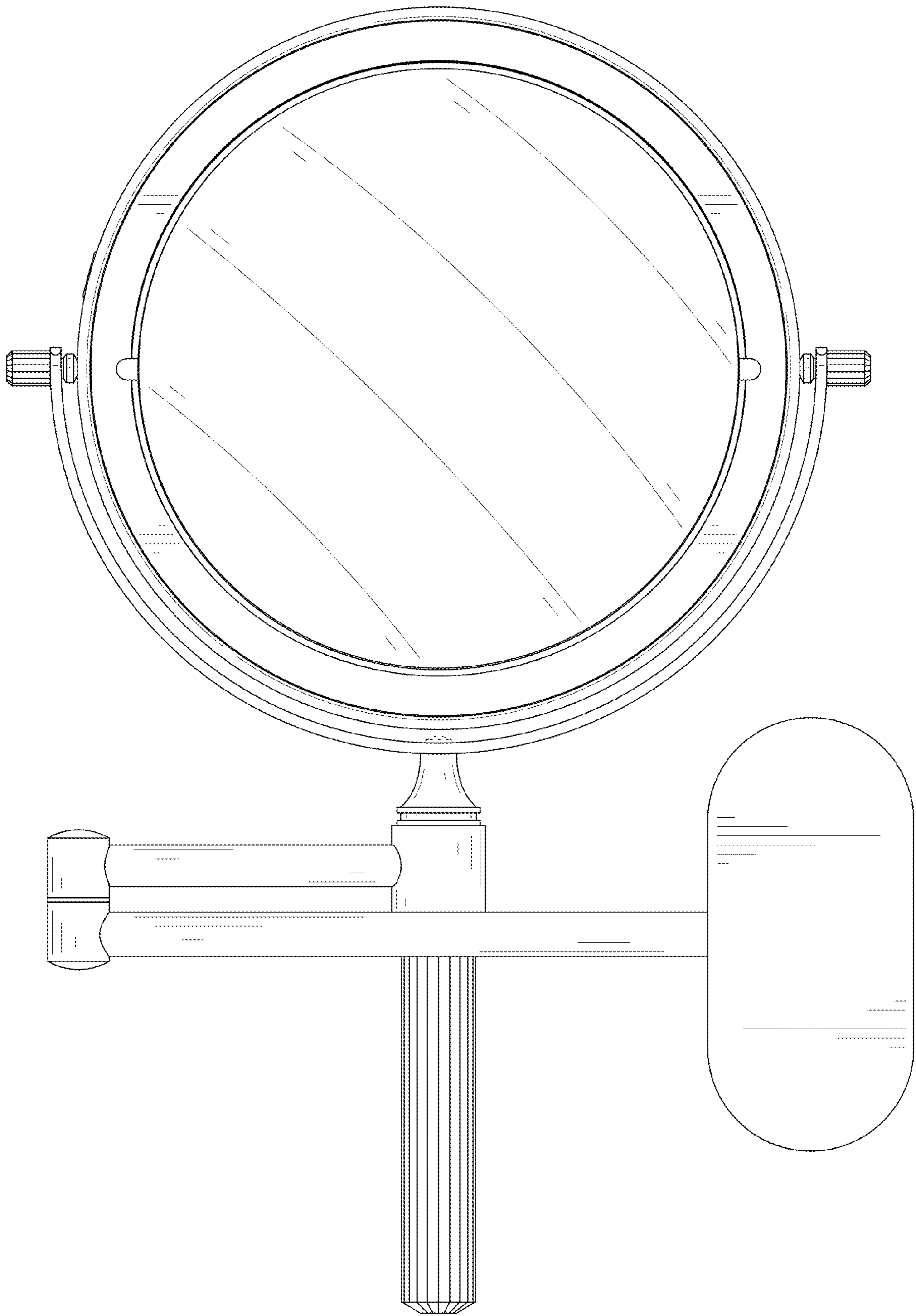


FIG. 4

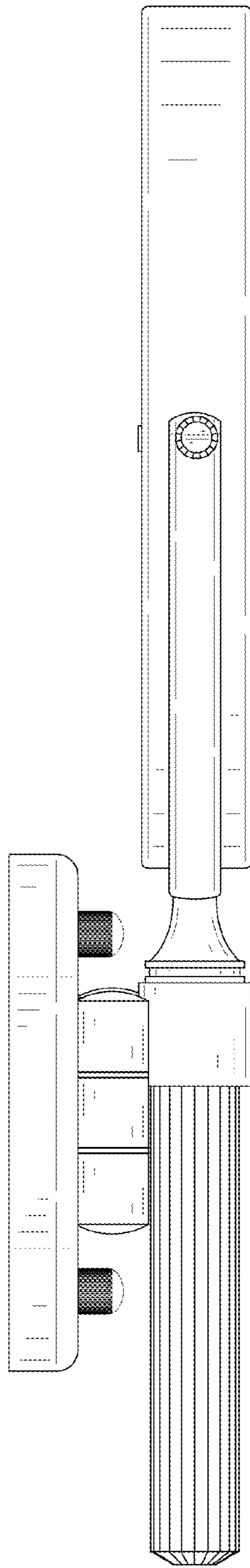


FIG. 5

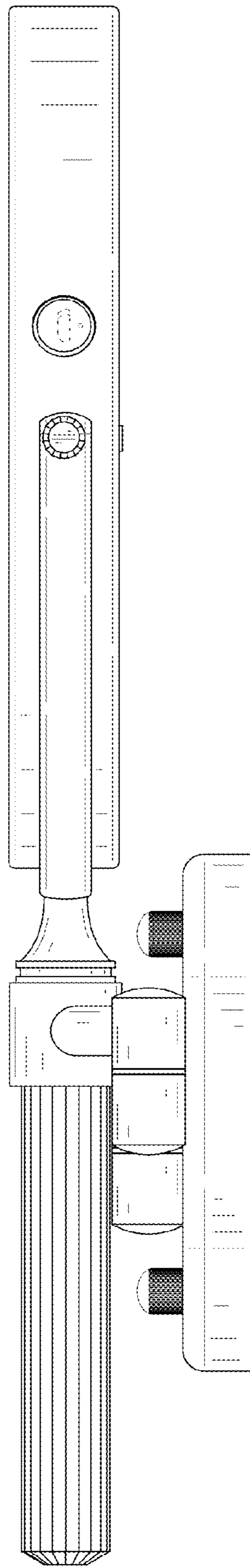


FIG. 6

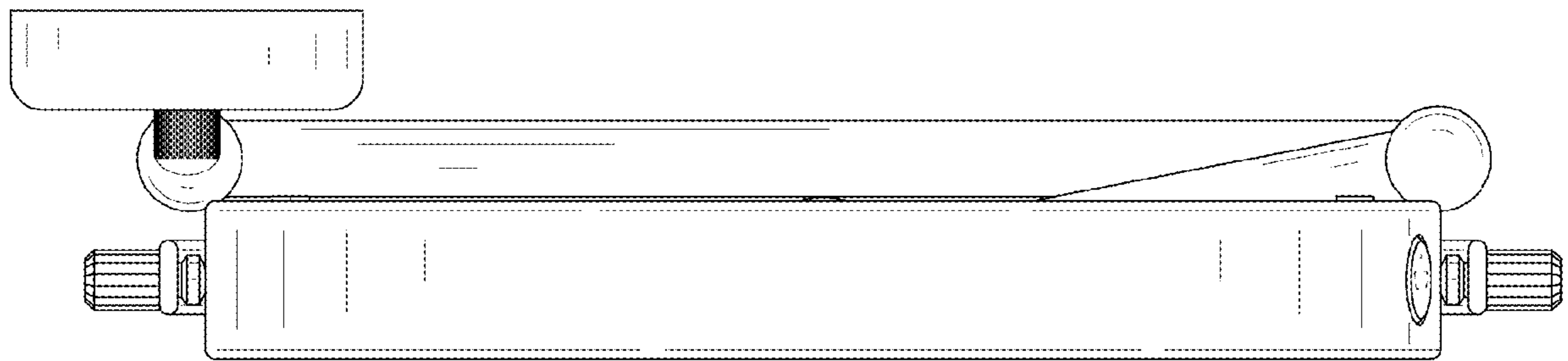


FIG. 7

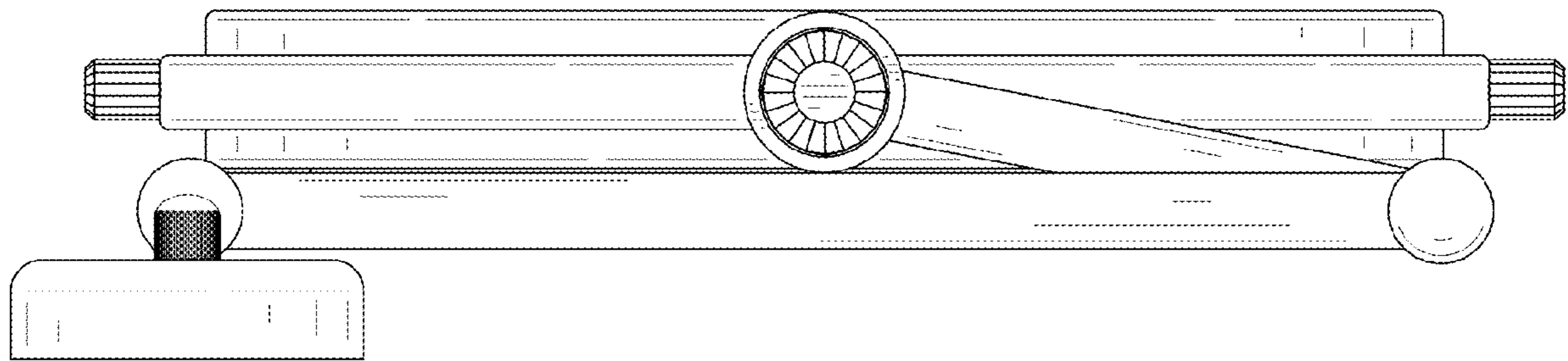


FIG. 8

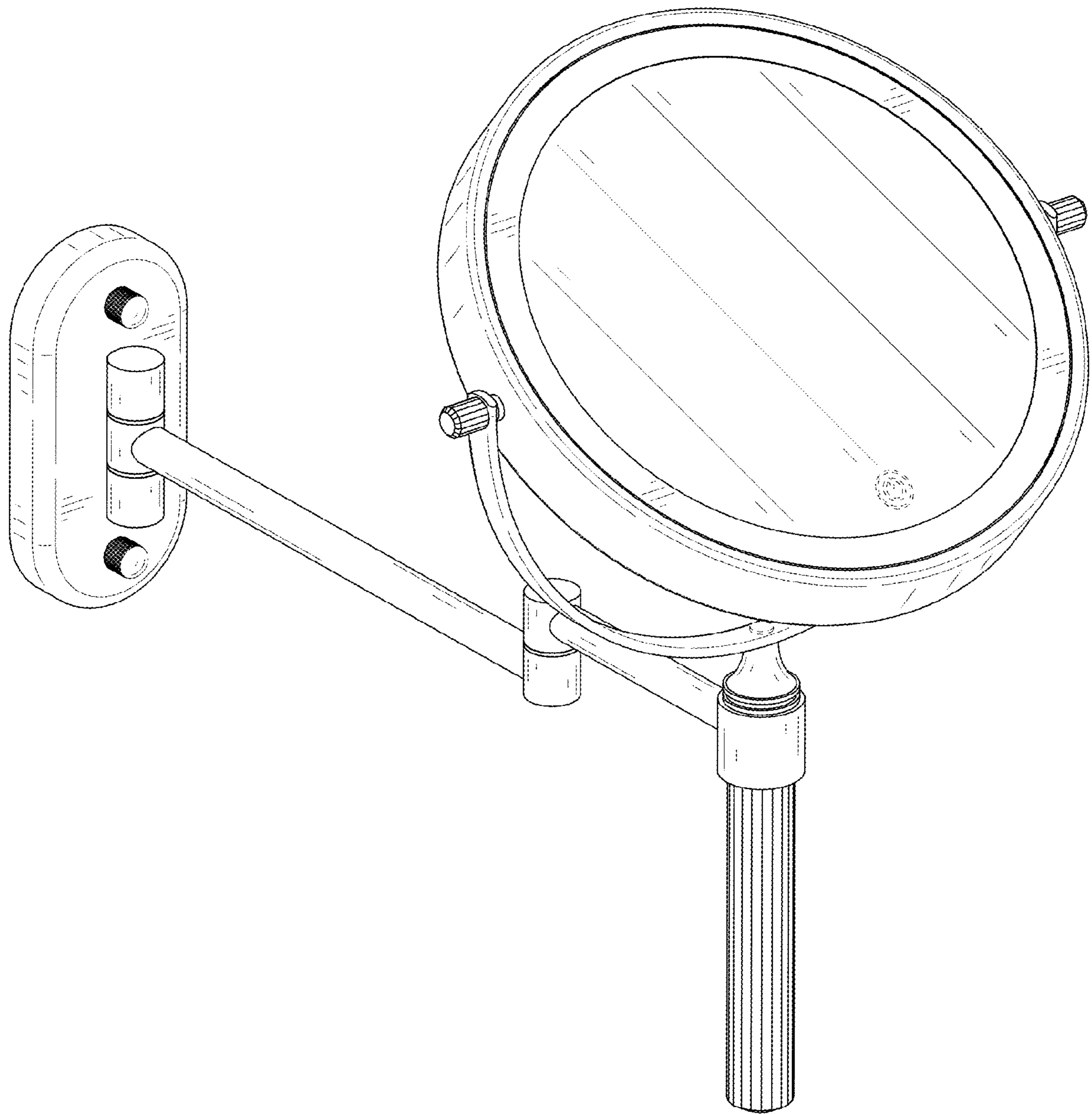


FIG. 9

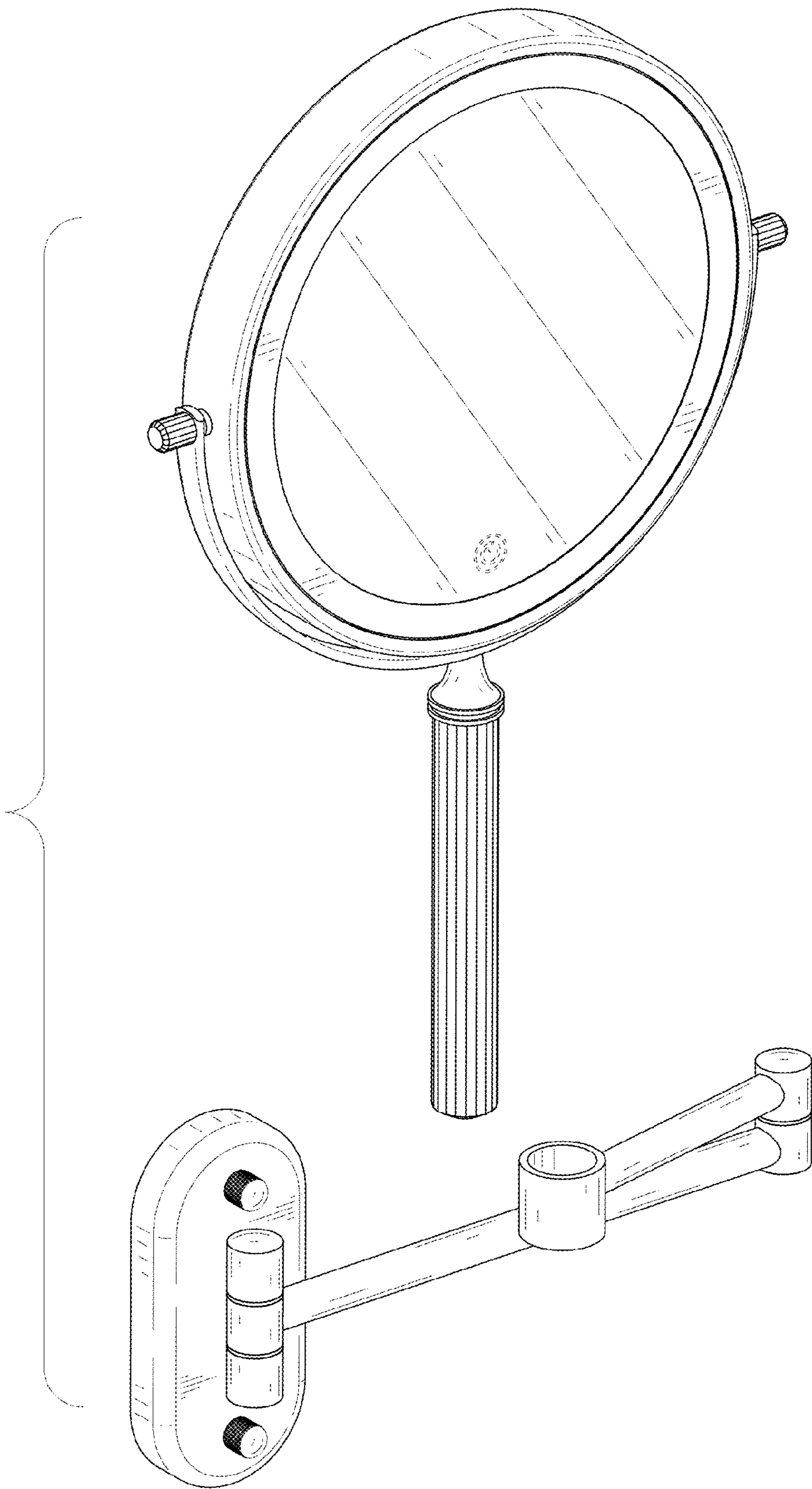


FIG. 10

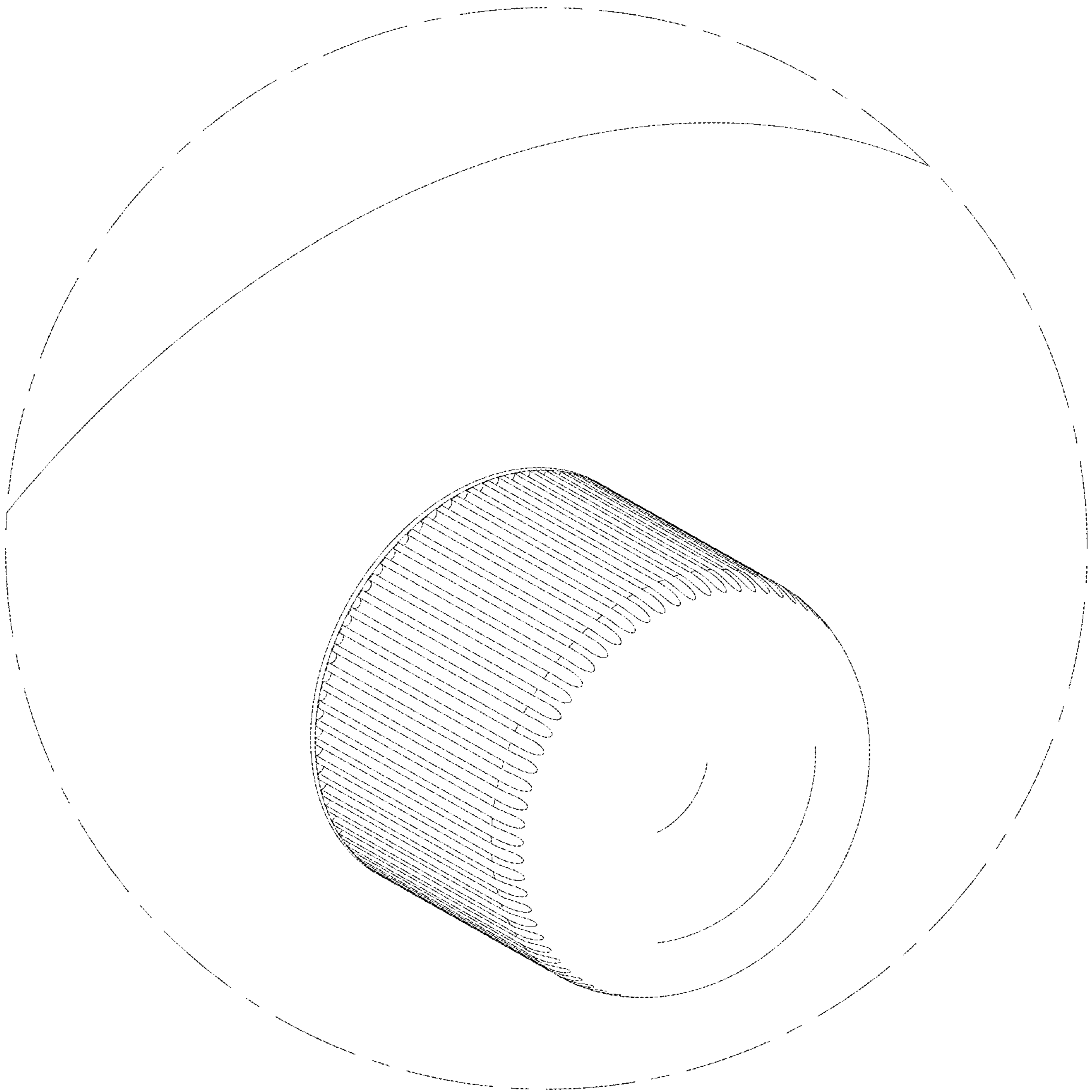


FIG. 11