



US00D947547S

(12) **United States Design Patent** (10) **Patent No.:** **US D947,547 S**
Bermudez Beltran (45) **Date of Patent:** **** Apr. 5, 2022**

(54) **BRUSH**

(71) Applicant: **Delta Research, S.A.**, Madrid (ES)

(72) Inventor: **Fernando Ivan Bermudez Beltran**, Madrid (ES)

(73) Assignee: **Delta Research, S.A.**, Madrid (ES)

(**) Term: **15 Years**

(21) Appl. No.: **29/724,519**

(22) Filed: **Feb. 17, 2020**

(51) **LOC (13) Cl.** **04-99**

(52) **U.S. Cl.**
USPC **D4/138**

(58) **Field of Classification Search**
USPC D4/130-138; D8/80, 83; D30/158, 159
CPC A46B 1/00; A46B 9/00; A46B 9/02; A46B 9/025; A46B 9/021; A46B 2200/1046; A46B 2200/104; A46B 5/0095; Y10S 15/10; A45D 20/00; A45D 20/08; A45D 20/50; A45D 20/52
See application file for complete search history.

D519,674 S 4/2006 Chu et al.
D558,920 S 1/2008 Sheppard et al.
D701,996 S 4/2014 Scott et al.
2017/0367455 A1 12/2017 Enrique
2020/0085015 A1* 3/2020 Yoo A01K 13/001
2020/0086137 A1* 3/2020 Yoo A46B 15/0034
2020/0260831 A1* 8/2020 Buttery A46B 15/003

* cited by examiner

Primary Examiner — Kevin K Rudzinski
Assistant Examiner — Tamara L Hahn
(74) *Attorney, Agent, or Firm* — GrayRobinson, PA;
Pablo Meles

(57) **CLAIM**

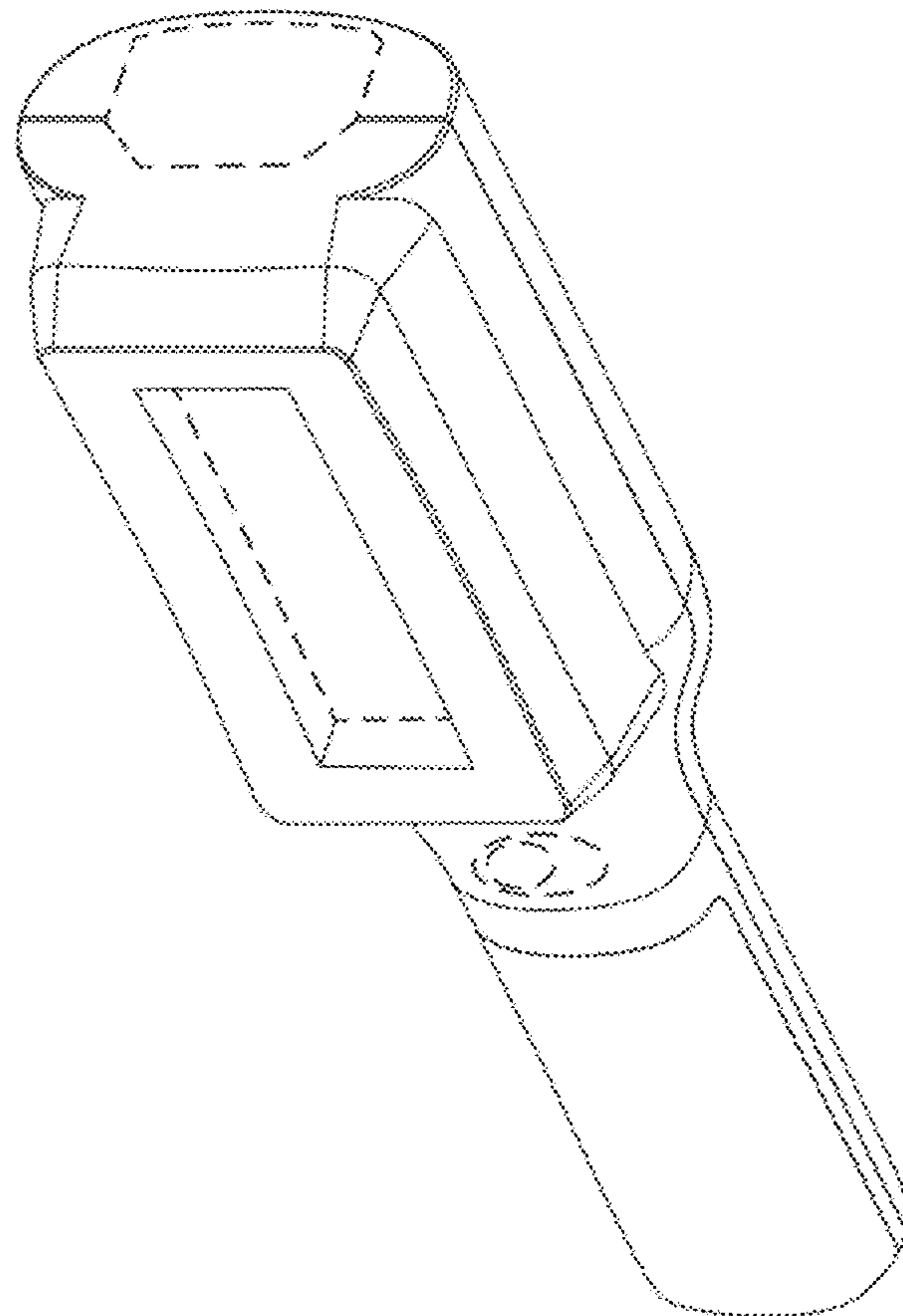
The ornamental design for a brush, as shown and described.

DESCRIPTION

FIG. 1 is a front-left perspective view of a brush showing our new design;
FIG. 2 is a top view thereof;
FIG. 3 is a bottom view thereof;
FIG. 4 is a front view thereof;
FIG. 5 is a rear view thereof;
FIG. 6 is a left view thereof; and,
FIG. 7 is a right view thereof.
The broken lines in the drawings depict portions of the brush that form no part of the claimed design.

1 Claim, 3 Drawing Sheets

(56) **References Cited**
U.S. PATENT DOCUMENTS
D240,201 S 6/1976 Avolio et al.
D357,809 S 5/1995 Brown



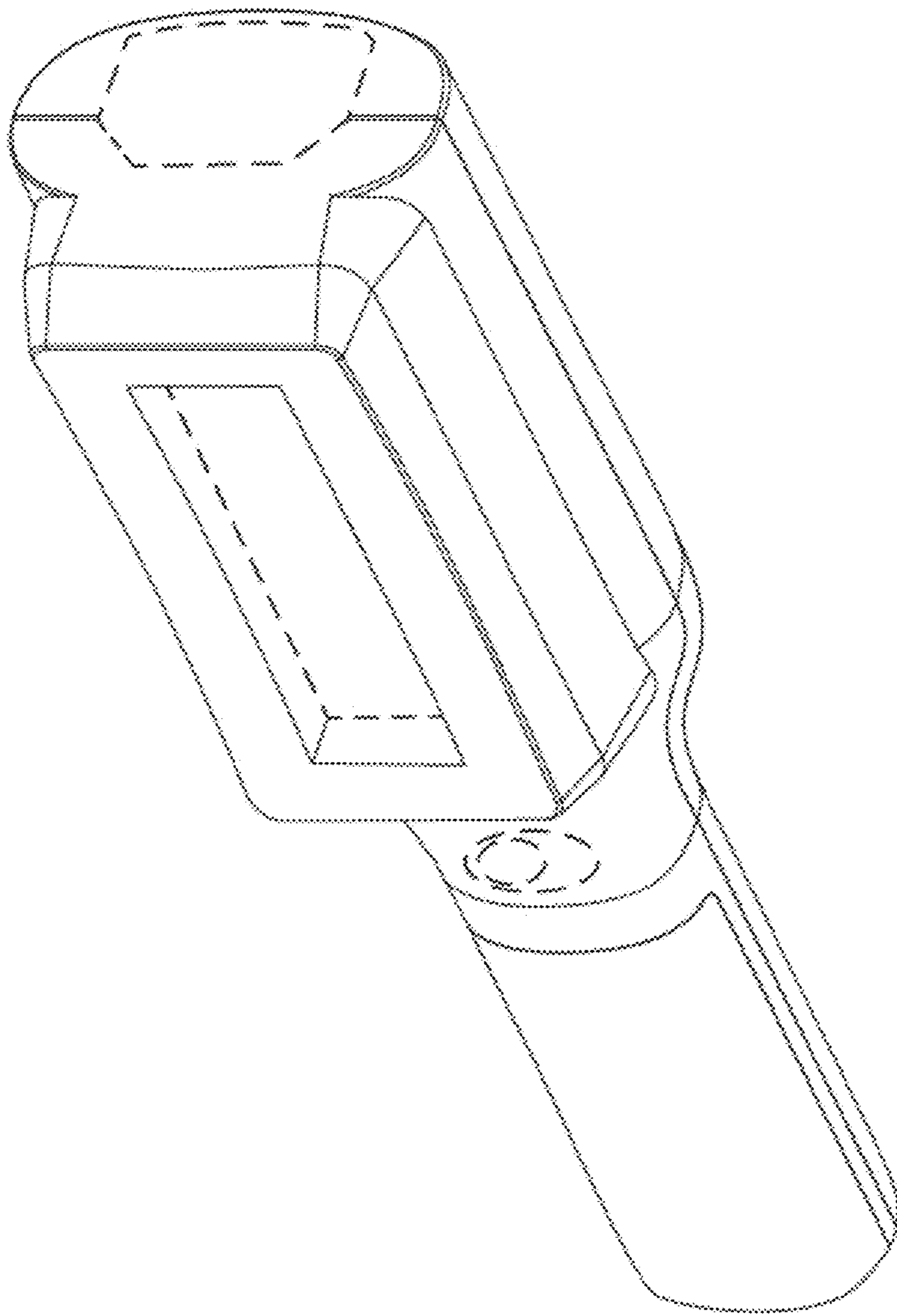


FIG. 1

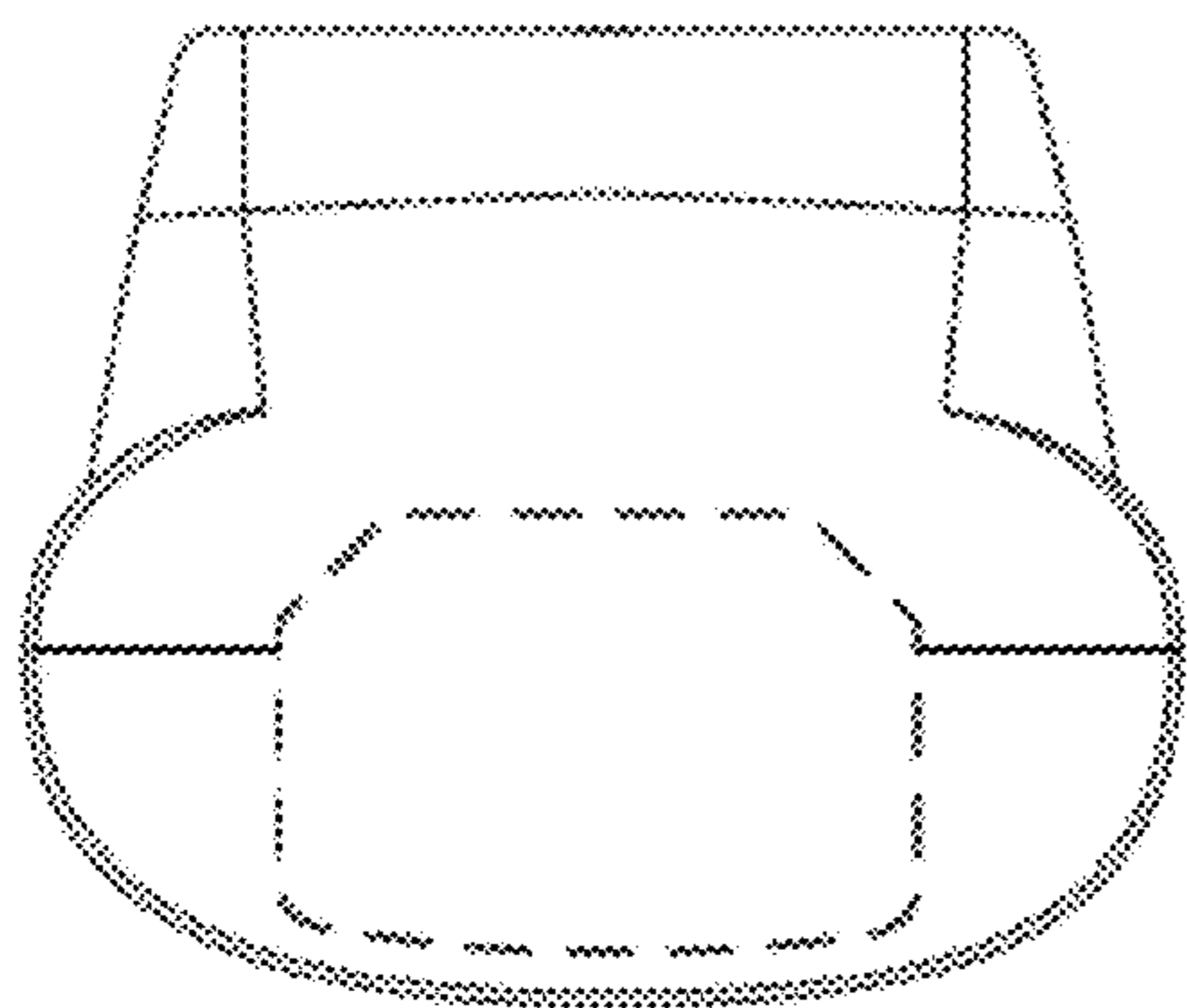


FIG. 2

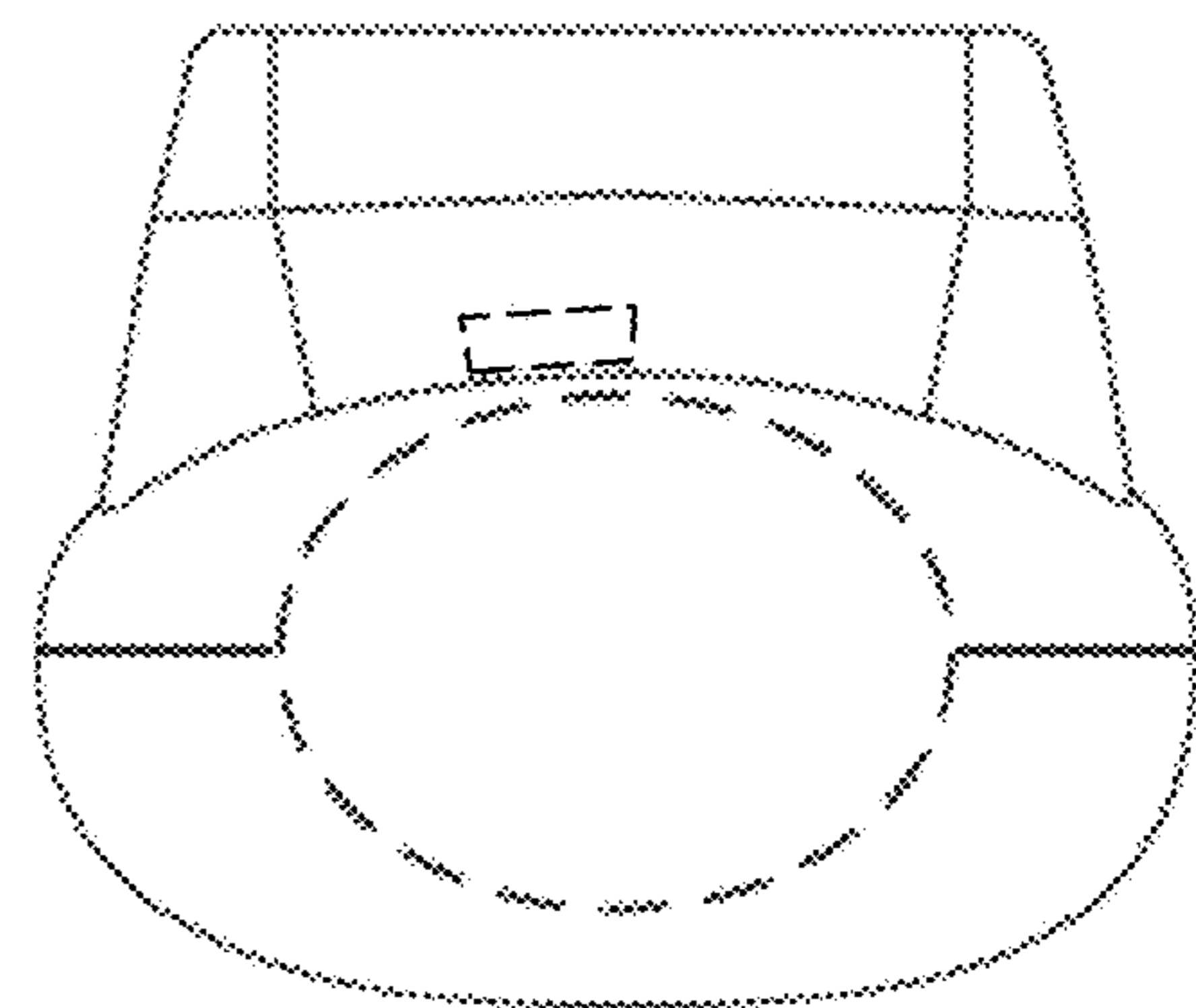


FIG. 3

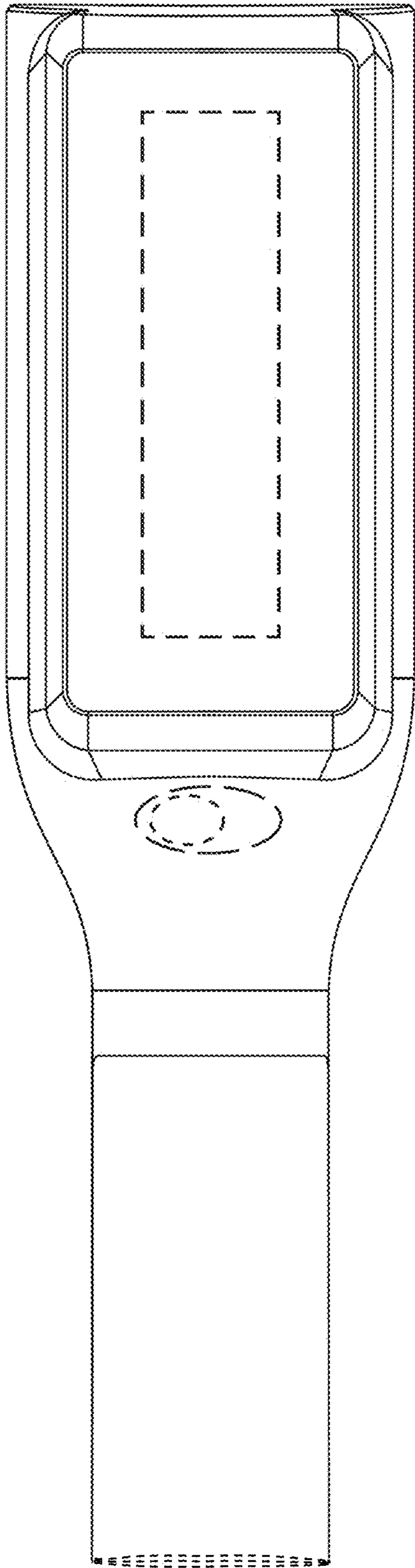


FIG. 4

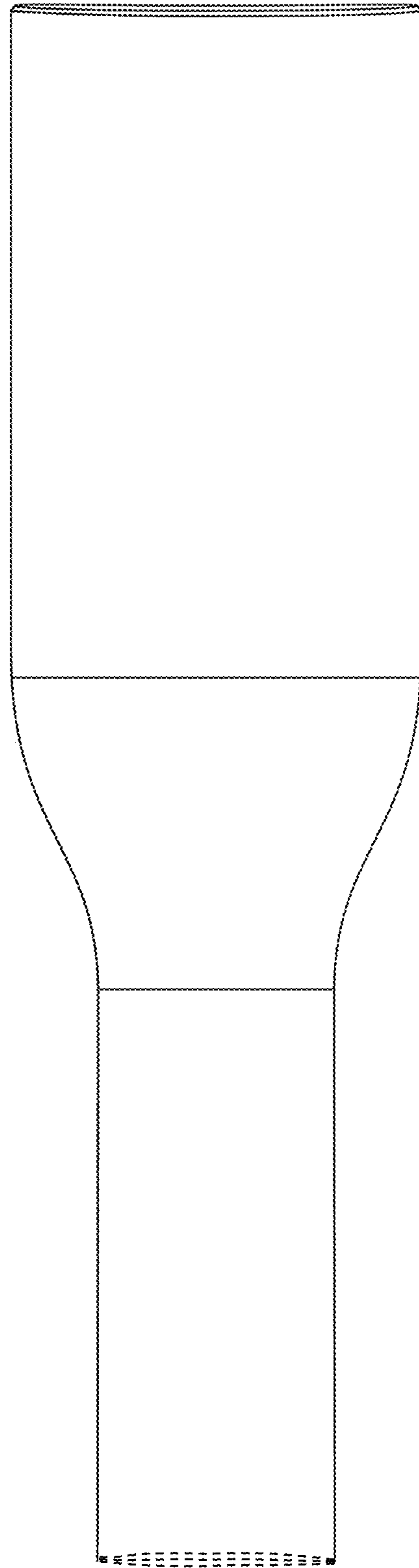


FIG. 5

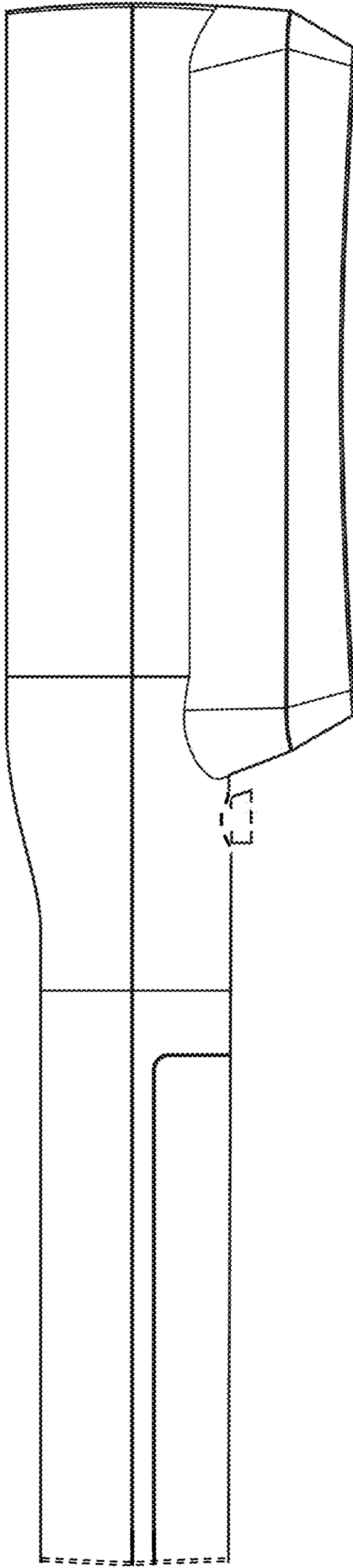


FIG. 6

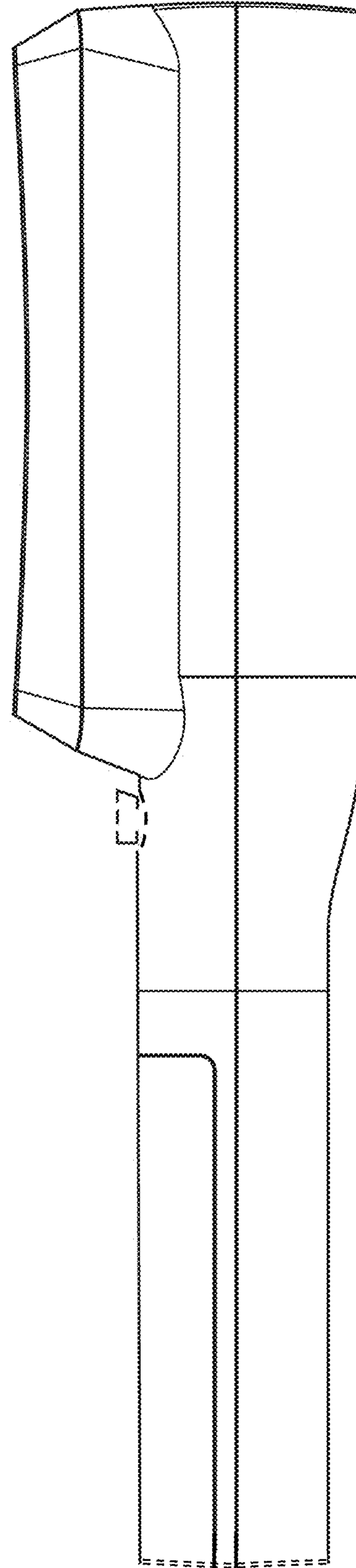


FIG. 7