



US00D947546S

(12) **United States Design Patent** (10) **Patent No.:** **US D947,546 S**
Lin (45) **Date of Patent:** **** Apr. 5, 2022**

(54) **DETAIL BRUSH**
(71) Applicant: **Haiyan Lin**, Guangdong (CN)
(72) Inventor: **Haiyan Lin**, Guangdong (CN)
(**) Term: **15 Years**
(21) Appl. No.: **29/785,692**
(22) Filed: **May 27, 2021**
(51) **LOC (13) Cl.** **04-02**
(52) **U.S. Cl.**
USPC **D4/135**
(58) **Field of Classification Search**
USPC D4/100, 102, 114, 135, 116, 121, 127;
15/21.1, 22.1, 23, 24, 28, 29, 191.1, 192,
15/193, 194, 166, 168, 171, 175, 176.1;
132/218, 217; D28/7, 57
CPC B05C 1/00; B05C 1/02; B05C 17/0205;
B44D 2/00
See application file for complete search history.

D895,916 S * 9/2020 Exley D32/33
D911,035 S * 2/2021 Zhou D4/133
D928,516 S * 8/2021 Xie D4/135
D929,742 S * 9/2021 Godin D4/135

* cited by examiner

Primary Examiner — Austin Murphy

(57) **CLAIM**

The ornamental design for a detail brush, as shown and described.

DESCRIPTION

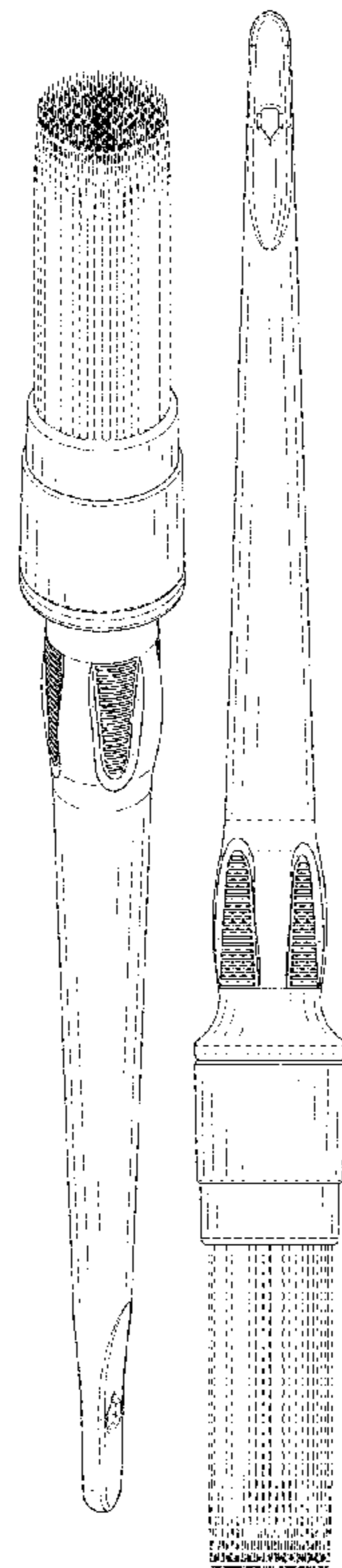
FIG. 1 is a front and top perspective view of a detail brush, showing my new design;
FIG. 2 is a rear and bottom perspective view thereof;
FIG. 3 is a front elevation view thereof;
FIG. 4 is a rear elevation view thereof;
FIG. 5 is a left side elevation view thereof;
FIG. 6 is a right side elevation view thereof;
FIG. 7 is a top plan view thereof;
FIG. 8 is a bottom plan view thereof; and,
FIG. 9 is an enlarged view of a portion labeled, 'FIG. 9' in FIG. 1.
The broken lines in the figures illustrate portions of the detail brush that form no part of the claimed design. The dash dot dash lines in FIGS. 1 and 9 are for the purpose of depicting the cut line of the enlarged view and form no part of the claim.

1 Claim, 9 Drawing Sheets

(56) **References Cited**

U.S. PATENT DOCUMENTS

D215,416 S * 9/1969 Posada D4/114
D376,479 S * 12/1996 Bresler D4/114
D384,184 S * 9/1997 Dewey D28/7
D414,528 S * 9/1999 Bocock D21/400
D616,204 S * 5/2010 Zemel D4/114
D708,597 S * 7/2014 Hile D4/135
D756,128 S * 5/2016 Harrington D4/138
D771,956 S * 11/2016 Hauger D4/114
D774,310 S * 12/2016 Hauger D4/114



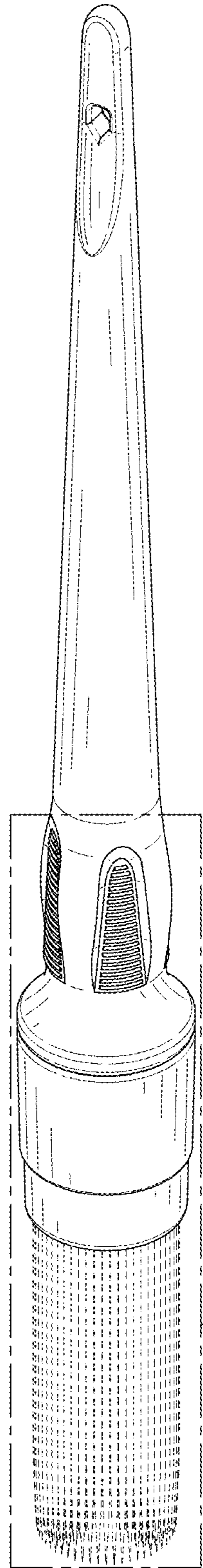


FIG. 9

FIG. 1

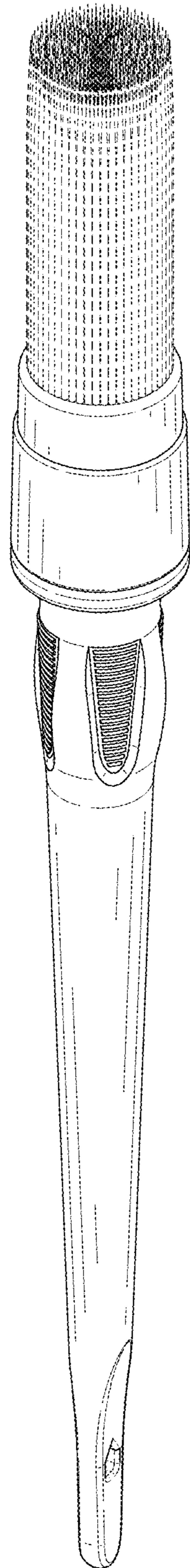


FIG. 2

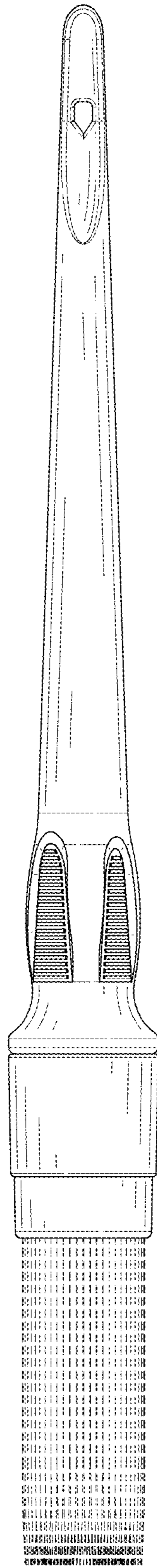


FIG. 3

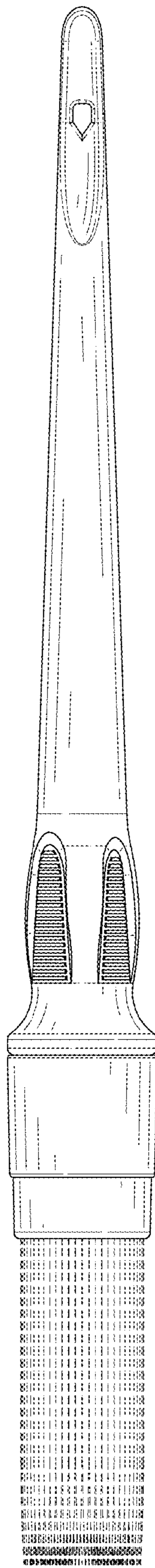


FIG. 4

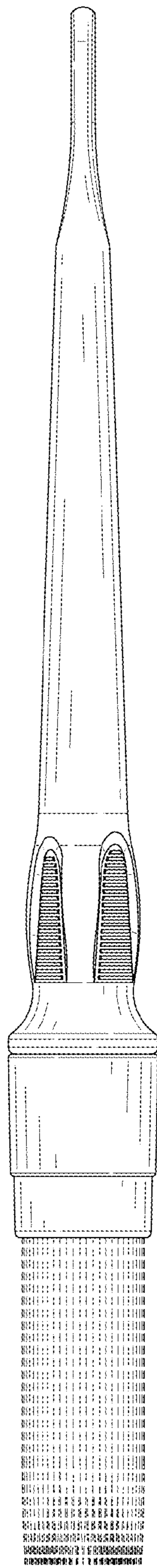


FIG. 5

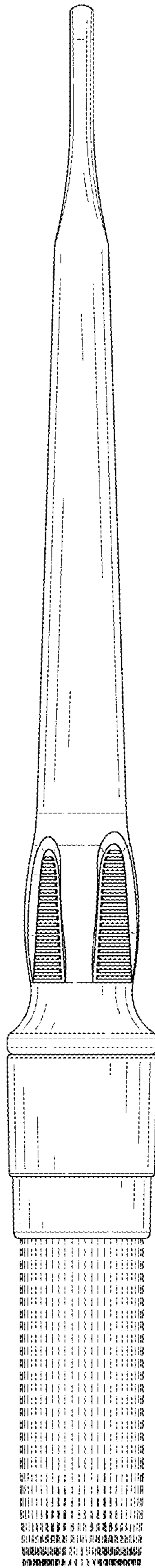


FIG. 6

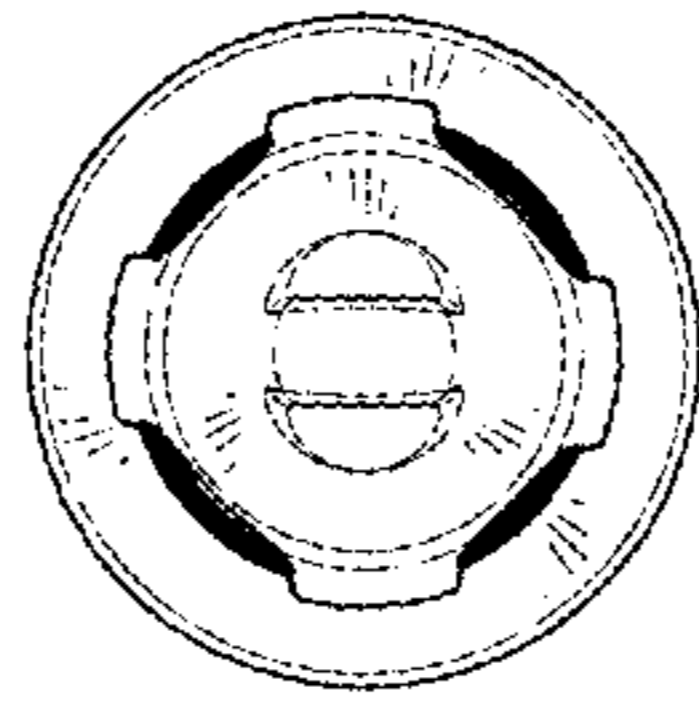


FIG. 7

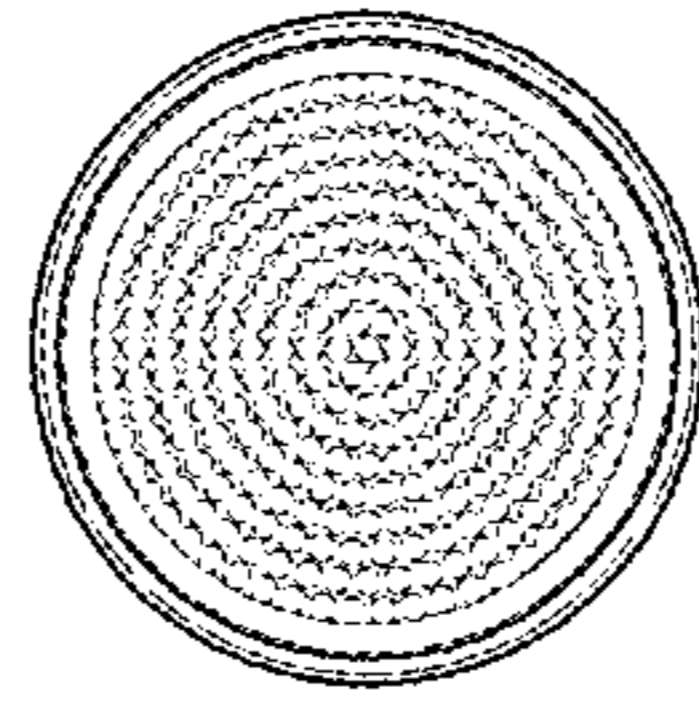


FIG. 8

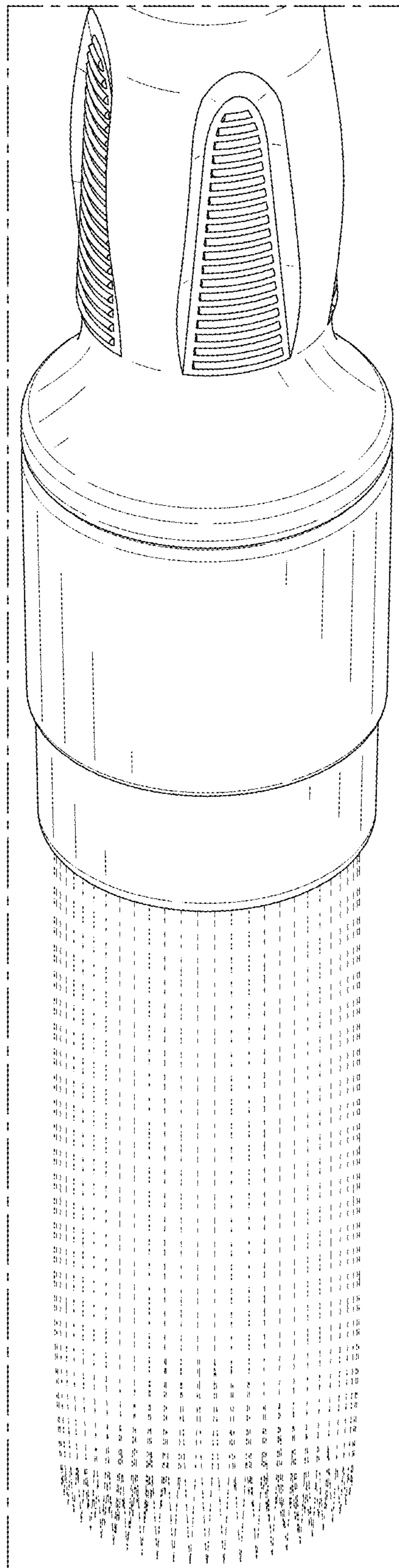


FIG. 9