

US00D947541S

(12) **United States Design Patent**  
**Serrell**

(10) **Patent No.:** **US D947,541 S**

(45) **Date of Patent:** **\*\* Apr. 5, 2022**

(54) **MANUAL TOOTHBRUSH WITH INTEGRATED BARREL-SHAPED HANDLE**

(71) Applicant: **David C. Serrell**, N. Myrtle Beach, SC (US)

(72) Inventor: **David C. Serrell**, N. Myrtle Beach, SC (US)

(\*\*) Term: **15 Years**

(21) Appl. No.: **29/785,308**

(22) Filed: **May 25, 2021**

(51) **LOC (13) Cl.** ..... **28-03**

(52) **U.S. Cl.**  
USPC ..... **D4/101**

(58) **Field of Classification Search**  
USPC ..... D4/100, 101, 103, 104, 105, 106, 107, D4/108, 109, 110, 111, 112, 113; D30/158, 160; D24/111, 112, 152; 132/311  
CPC ..... A46B 5/02; A46B 9/04; A46B 2200/1066; A46B 5/04; A46B 15/0061; A46B 15/0097; A61C 17/032; A61C 17/16; A61C 17/227

See application file for complete search history.

(56) **References Cited**

**U.S. PATENT DOCUMENTS**

D240,981 S \* 8/1976 Hill ..... D4/104  
D297,888 S \* 10/1988 Stoll ..... D4/105  
D321,285 S \* 11/1991 Hirabayashi ..... D4/101  
D324,774 S \* 3/1992 Elkerbout ..... D4/101

5,141,290 A \* 8/1992 Mairon ..... A46B 11/00 15/167.1  
D342,162 S \* 12/1993 Curtis ..... D4/104  
D343,294 S \* 1/1994 Curtis ..... D4/104  
D346,277 S \* 4/1994 Sherman ..... D4/104  
5,924,429 A \* 7/1999 Morando ..... A61C 15/043 132/309  
D627,566 S \* 11/2010 Smith ..... D4/108  
D922,075 S \* 6/2021 Yuan ..... D4/101

\* cited by examiner

*Primary Examiner* — Karen E Eldridge Powers

(74) *Attorney, Agent, or Firm* — Ashley D. Johnson; Dogwood Patent and Trademark Law

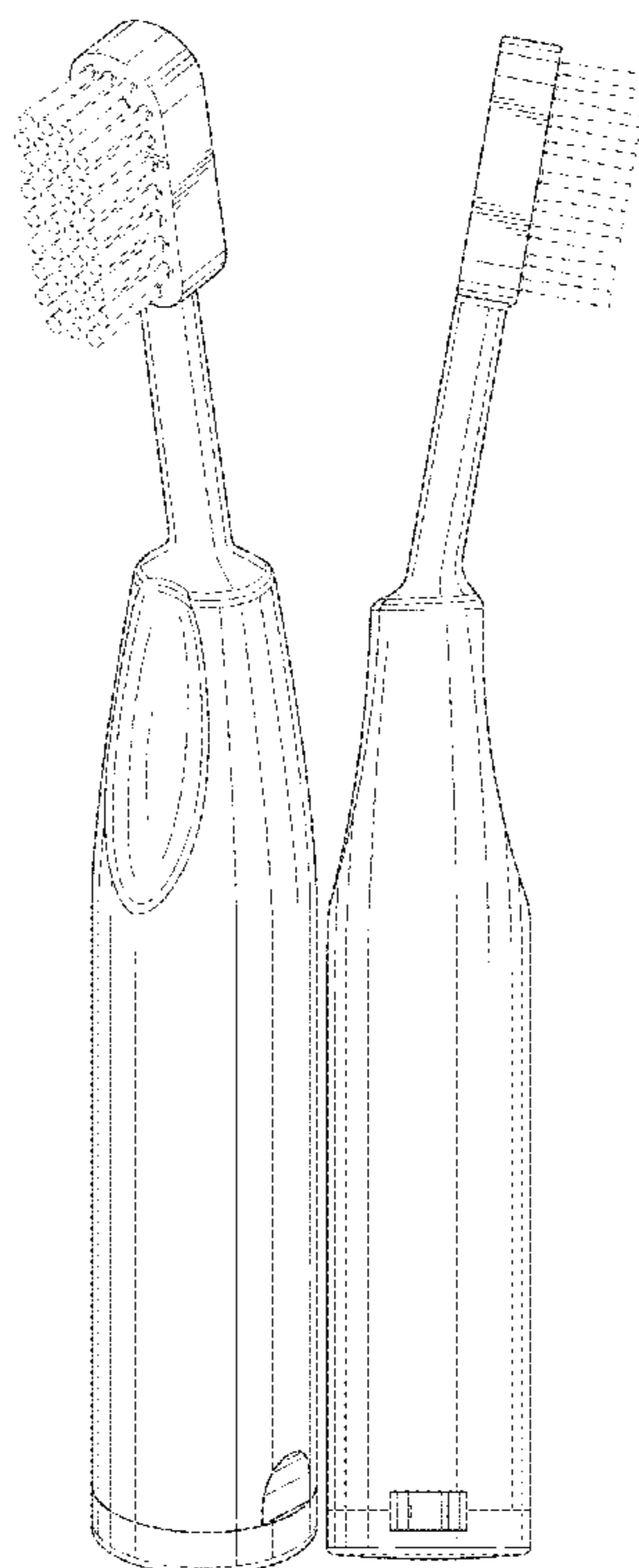
(57) **CLAIM**

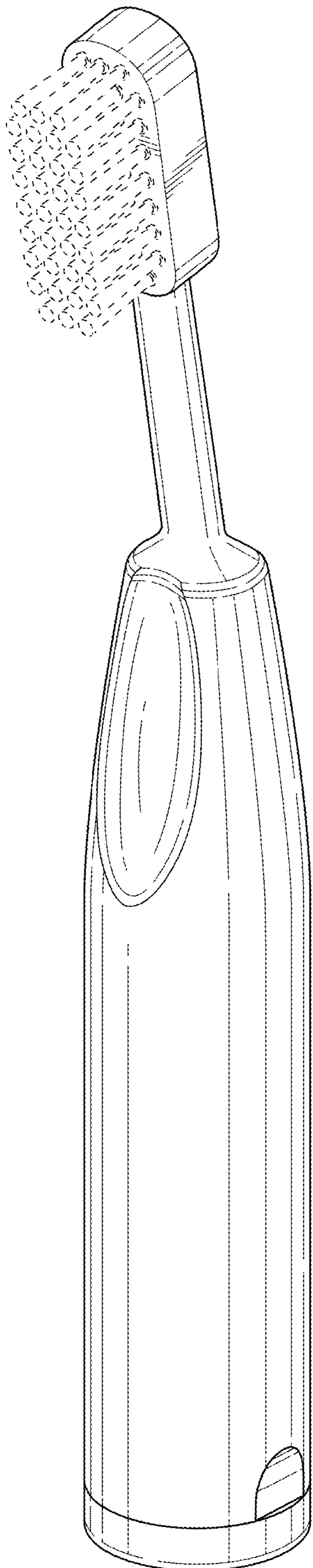
The ornamental design for a manual toothbrush with integrated barrel-shaped handle, as shown and described.

**DESCRIPTION**

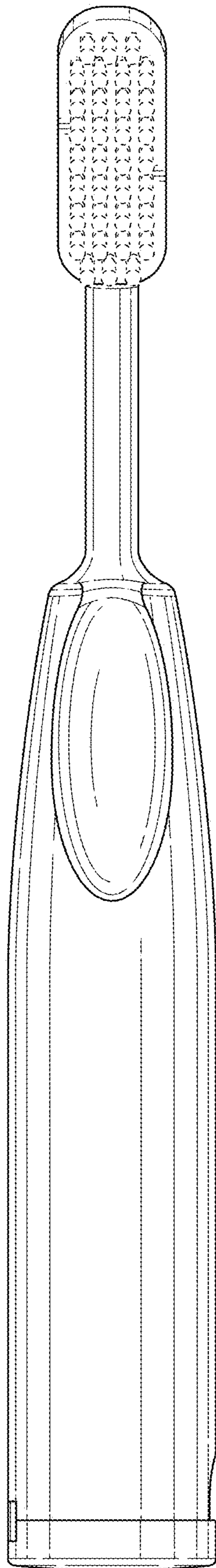
FIG. 1 is a front perspective view of a manual toothbrush with integrated barrel-shaped handle.  
FIG. 2 is a front elevational view of the manual toothbrush with integrated barrel-shaped handle.  
FIG. 3 is a rear elevational view of the manual toothbrush with integrated barrel-shaped handle.  
FIG. 4 is a left side elevational view of the manual toothbrush with integrated barrel-shaped handle.  
FIG. 5 is a right side elevational view of the manual toothbrush with integrated barrel-shaped handle.  
FIG. 6 is a top plan view of the manual toothbrush with integrated barrel-shaped handle; and,  
FIG. 7 is a bottom plan view of the manual toothbrush with integrated barrel-shaped handle.

**1 Claim, 6 Drawing Sheets**

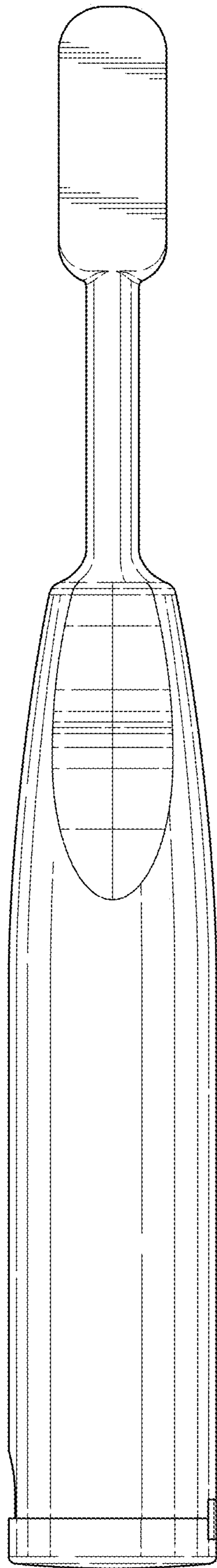




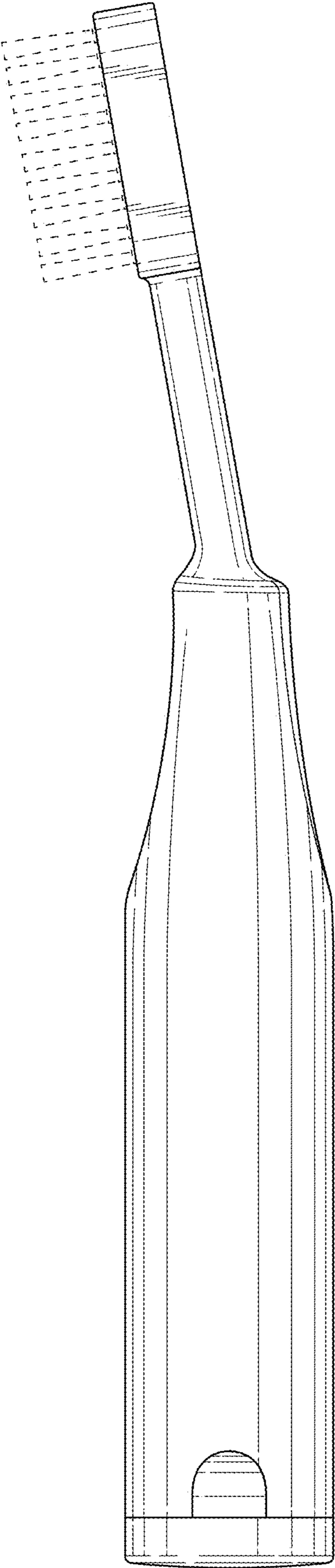
**FIG. 1**



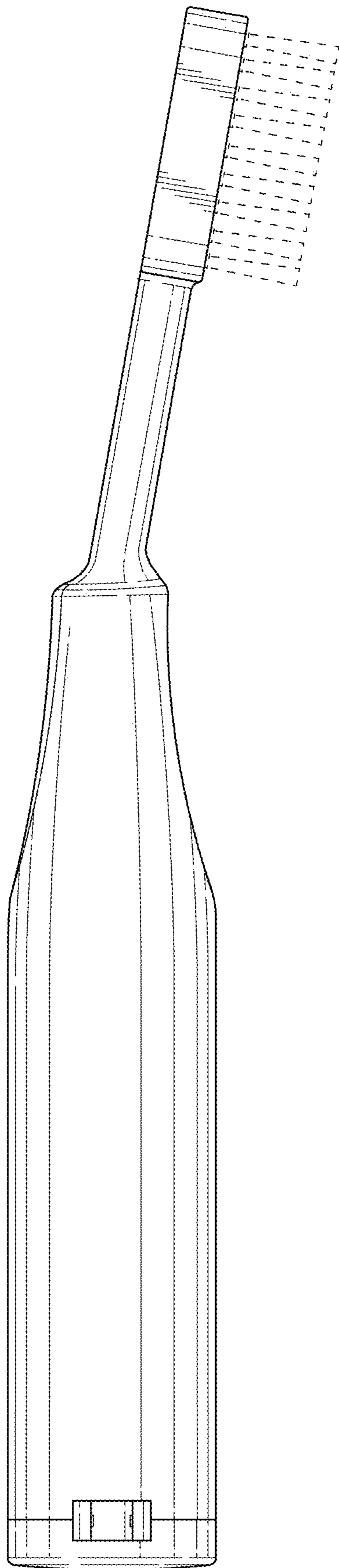
**FIG. 2**



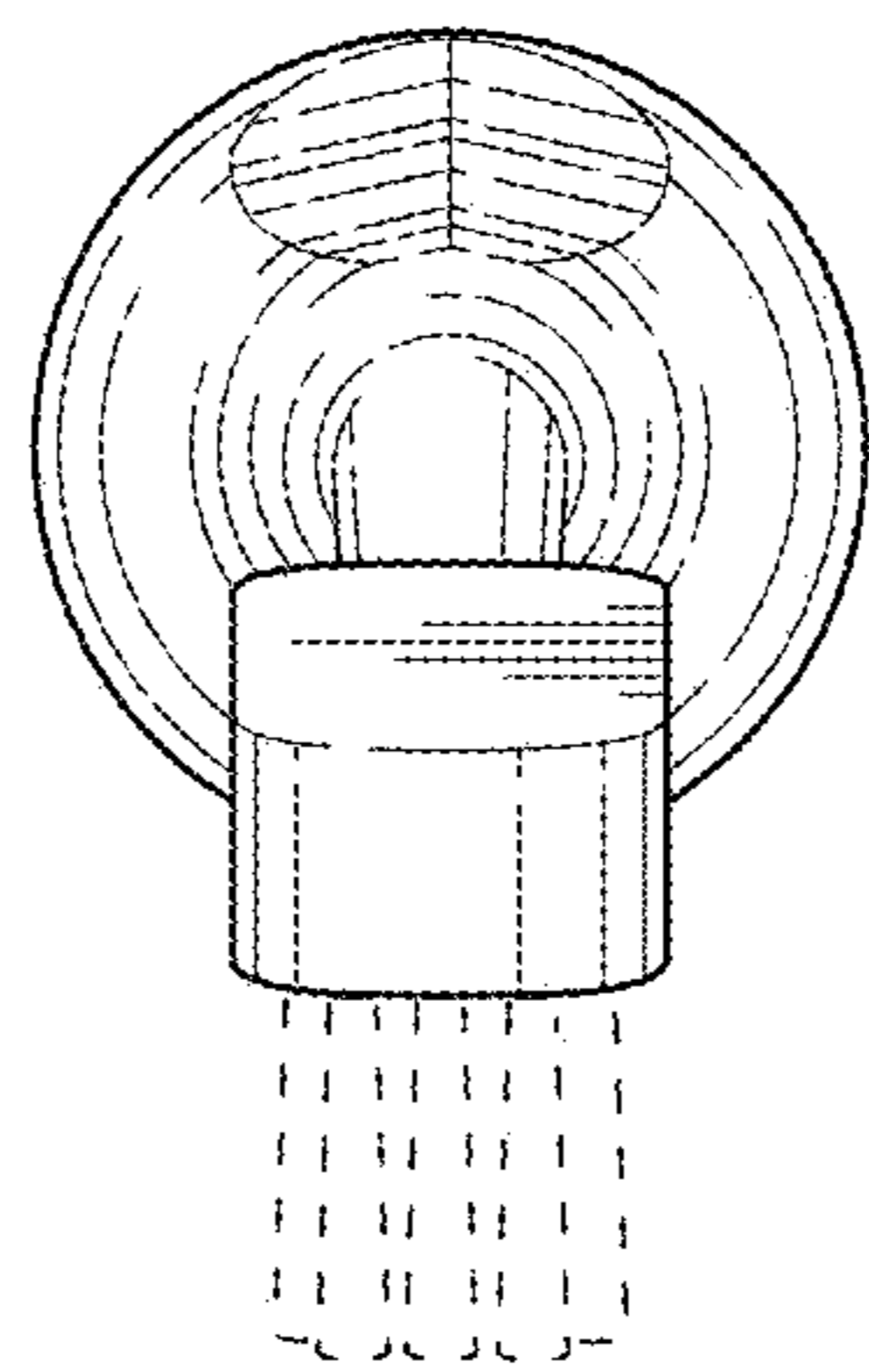
**FIG. 3**



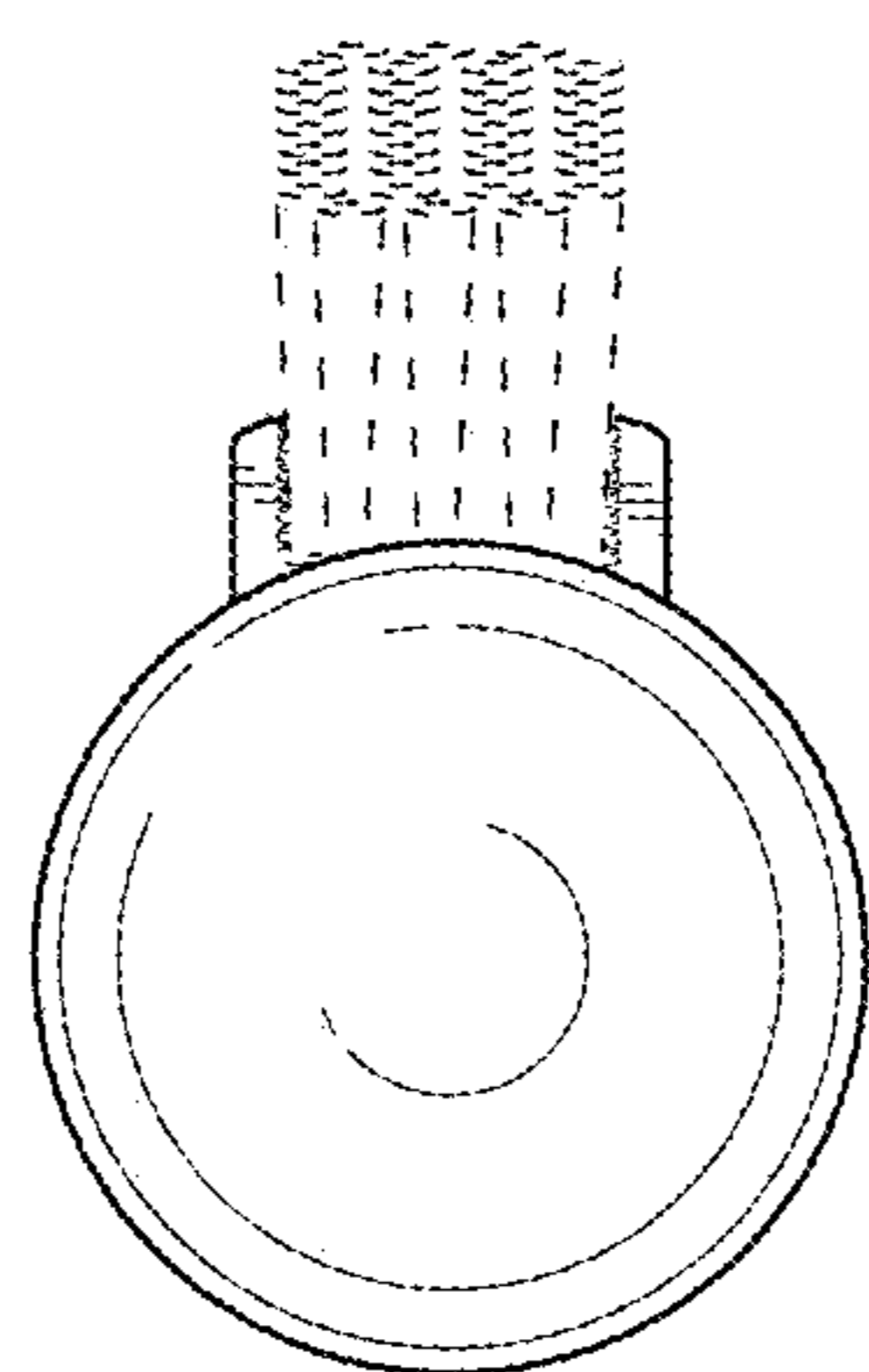
**FIG. 4**



**FIG. 5**



**FIG. 6**



**FIG. 7**