



US00D947540S

(12) **United States Design Patent** (10) **Patent No.:** **US D947,540 S**  
**Wang** (45) **Date of Patent:** **\*\* Apr. 5, 2022**

(54) **FINGER TOOTHBRUSH**

(71) Applicant: **Xiamen Better Silicone Rubber Co., Ltd.**, Xiamen (CN)

(72) Inventor: **Kang Wang**, Xiamen (CN)

(\*\*) Term: **15 Years**

(21) Appl. No.: **29/763,012**

(22) Filed: **Dec. 21, 2020**

(30) **Foreign Application Priority Data**

Dec. 1, 2020 (CN) ..... 202030735291.5

(51) **LOC (13) Cl.** ..... **04-02**

(52) **U.S. Cl.**  
USPC ..... **D4/101**

(58) **Field of Classification Search**  
USPC ..... D4/100-138, 199; D24/176, 181  
CPC .... A46B 2200/1066; A46B 2200/1073; A46B 2200/1086; A46B 9/04; A46B 13/023; A46B 5/0095; A61C 17/16; A61C 17/222  
See application file for complete search history.

(56) **References Cited**

U.S. PATENT DOCUMENTS

D313,317 S \* 1/1991 Brunner ..... D4/103  
5,826,599 A \* 10/1998 Adams ..... A46B 5/04  
132/308

D764,929 S \* 8/2016 Wagner ..... D9/695  
D887,148 S \* 6/2020 Okai ..... D4/104  
2020/0008565 A1 \* 1/2020 Lehar ..... A46B 3/005  
2021/0052062 A1 \* 2/2021 Baker ..... A46B 5/04

FOREIGN PATENT DOCUMENTS

CN 306455471 \* 4/2021  
CN 306903578 \* 10/2021

\* cited by examiner

*Primary Examiner* — Cynthia Ramirez  
*Assistant Examiner* — Tamara L Hahn

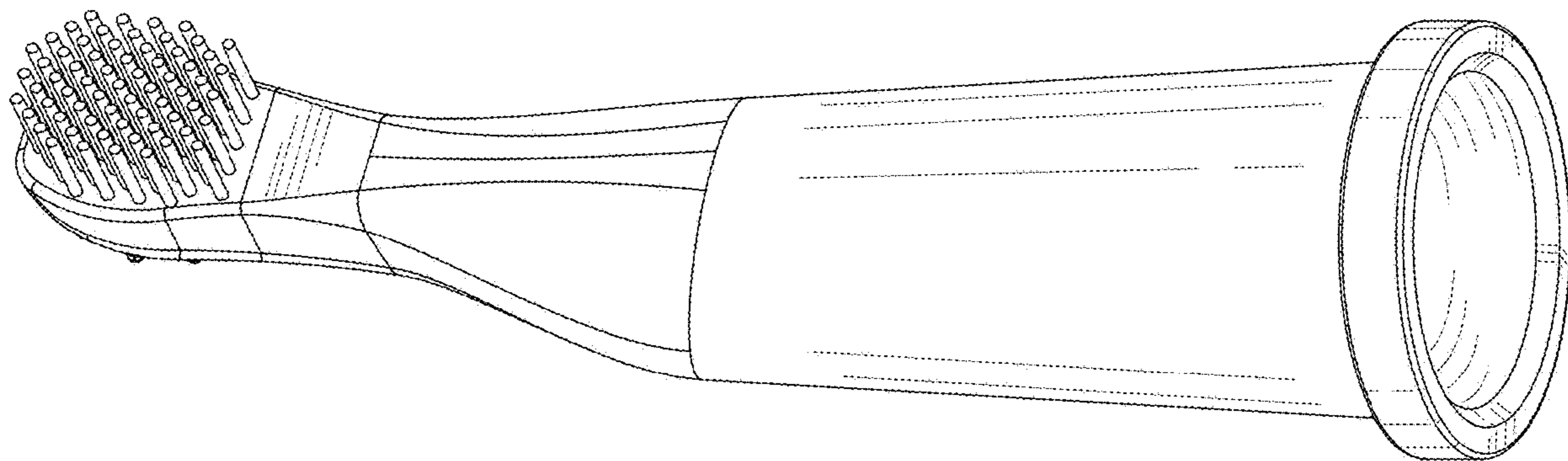
(57) **CLAIM**

The ornamental design for a finger toothbrush, as shown and described.

**DESCRIPTION**

FIG. 1 is a top front perspective view of a finger toothbrush showing the claimed design;  
FIG. 2 is a front elevational view thereof;  
FIG. 3 is a rear elevational view thereof;  
FIG. 4 is a left side elevational view thereof;  
FIG. 5 is a right side elevational view thereof;  
FIG. 6 is a top plan view thereof; and,  
FIG. 7 is a bottom plan view thereof.  
The broken lines illustration of a portion of the finger toothbrush in FIG. 5 form no part of the claimed design.

**1 Claim, 7 Drawing Sheets**



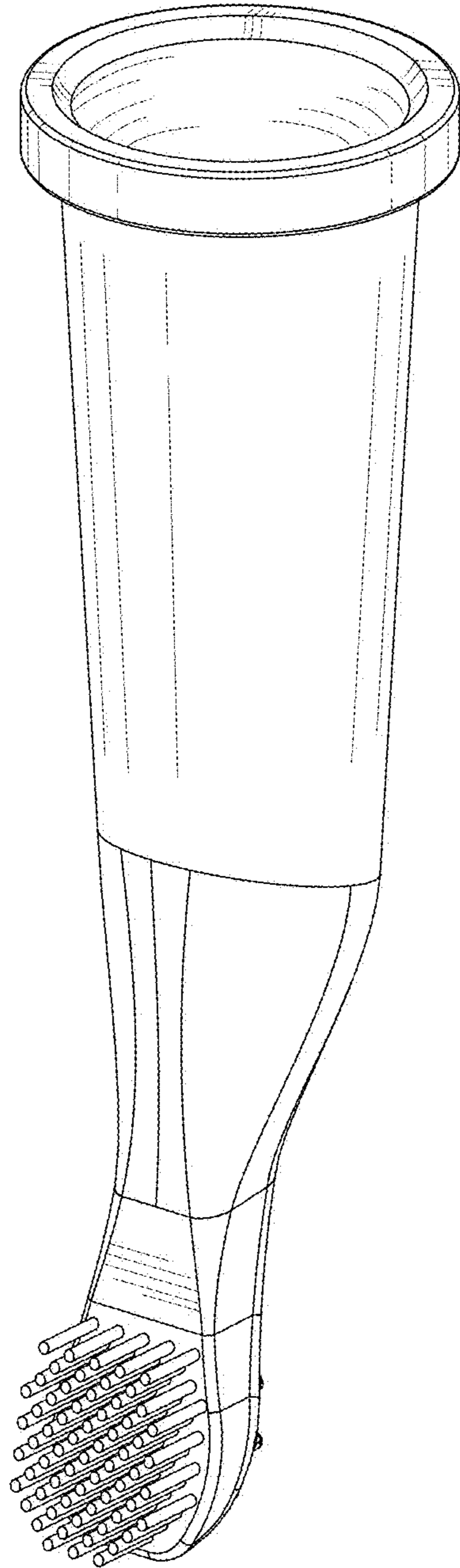


Fig. 1

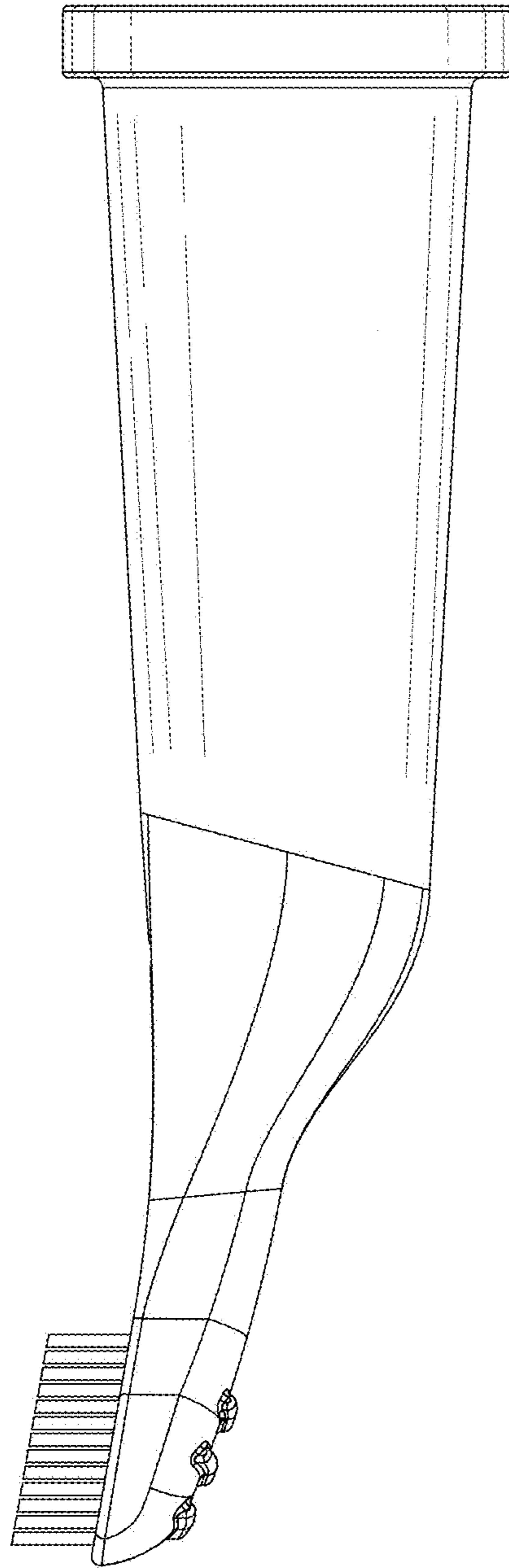


Fig. 2

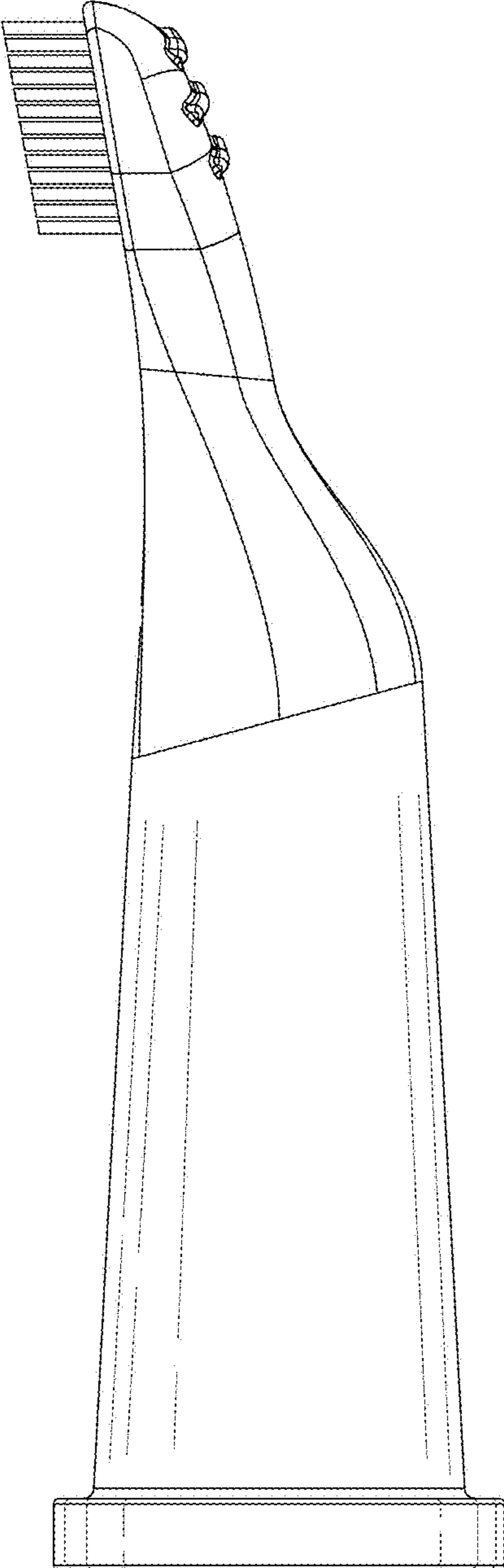


Fig. 3

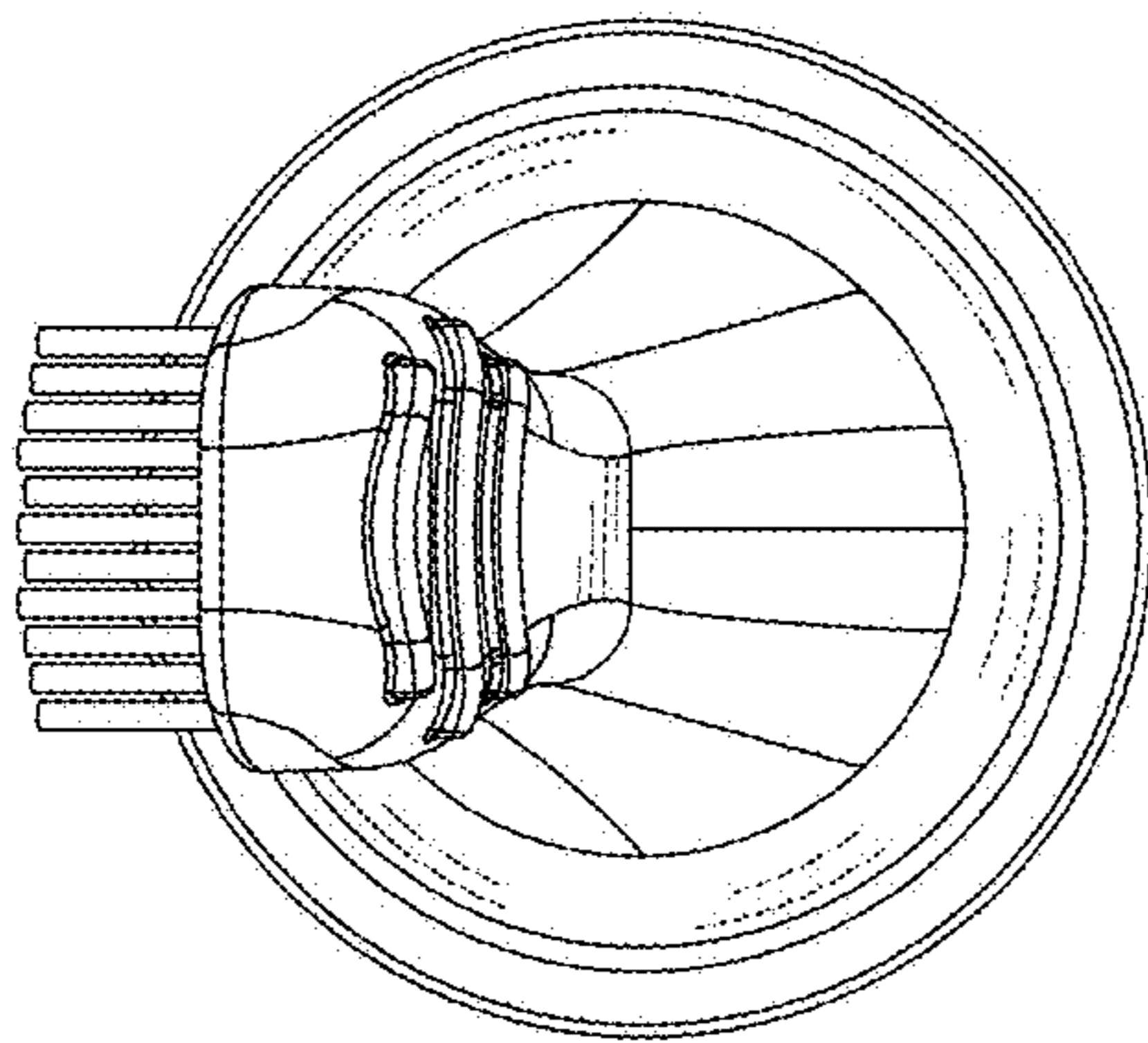


Fig. 4

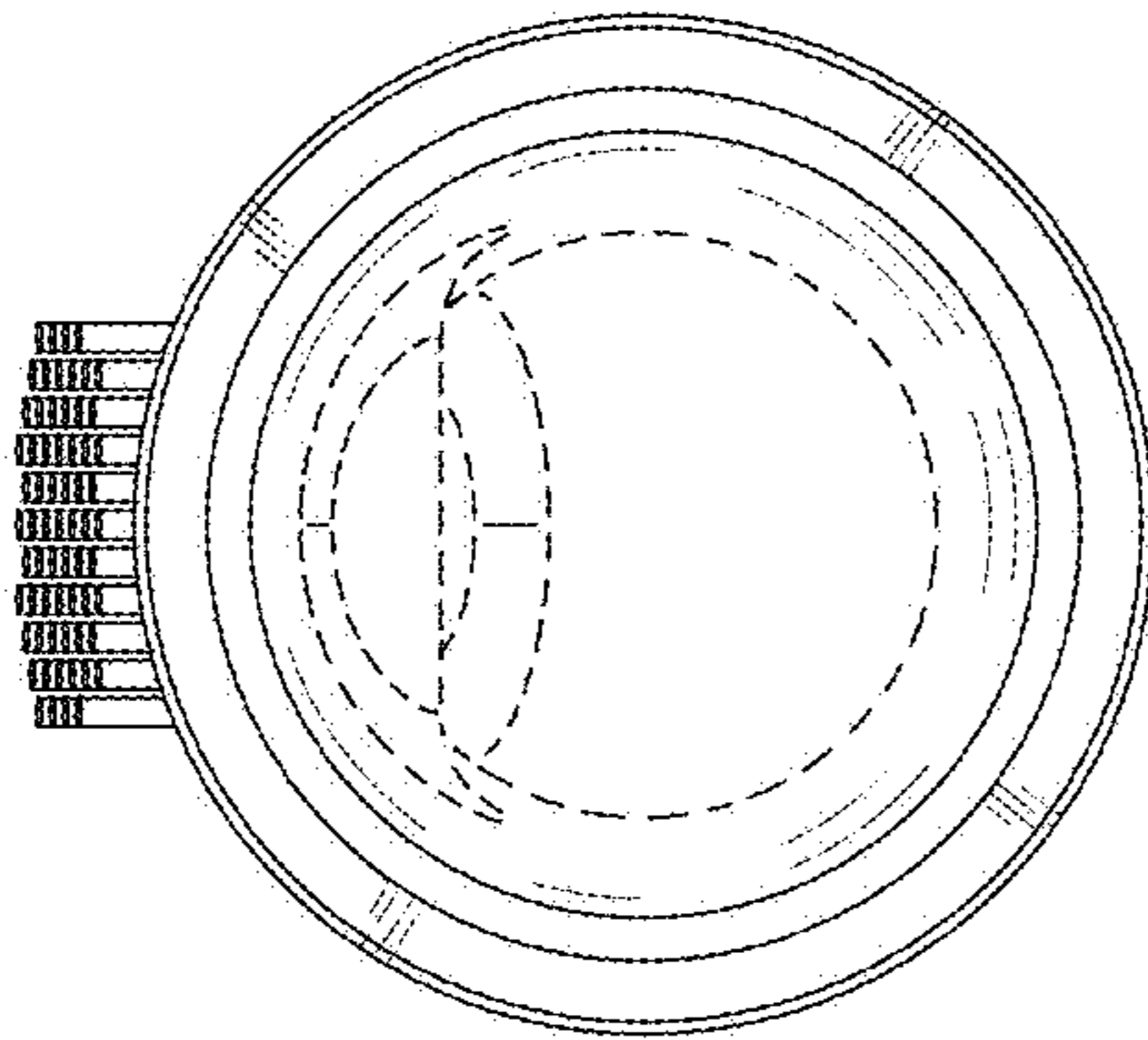


Fig. 5

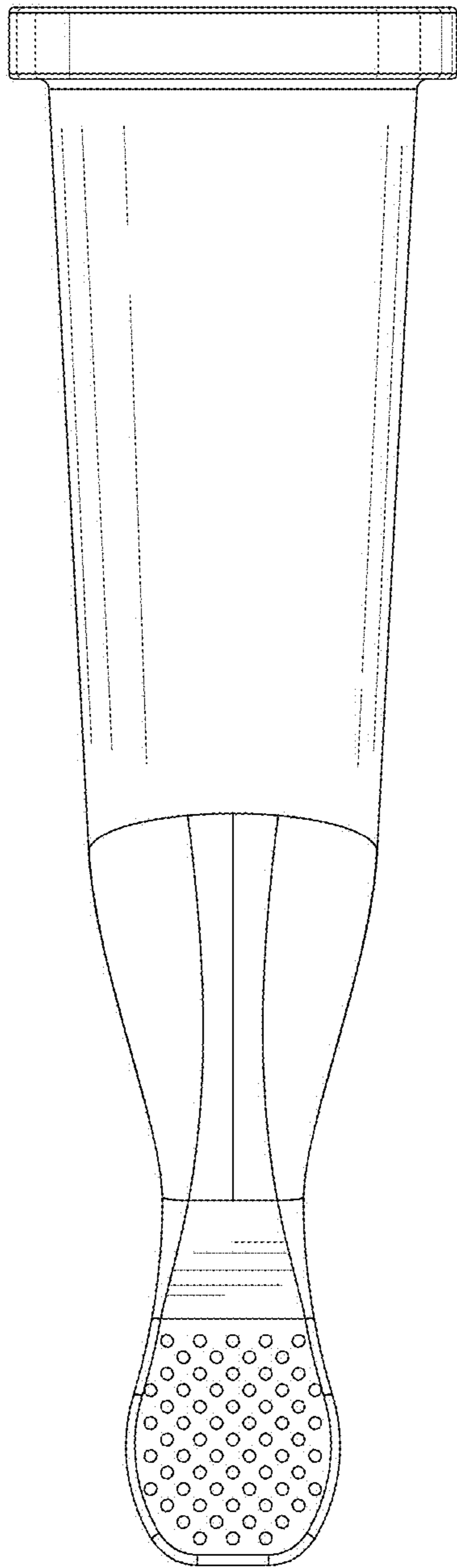


Fig. 6



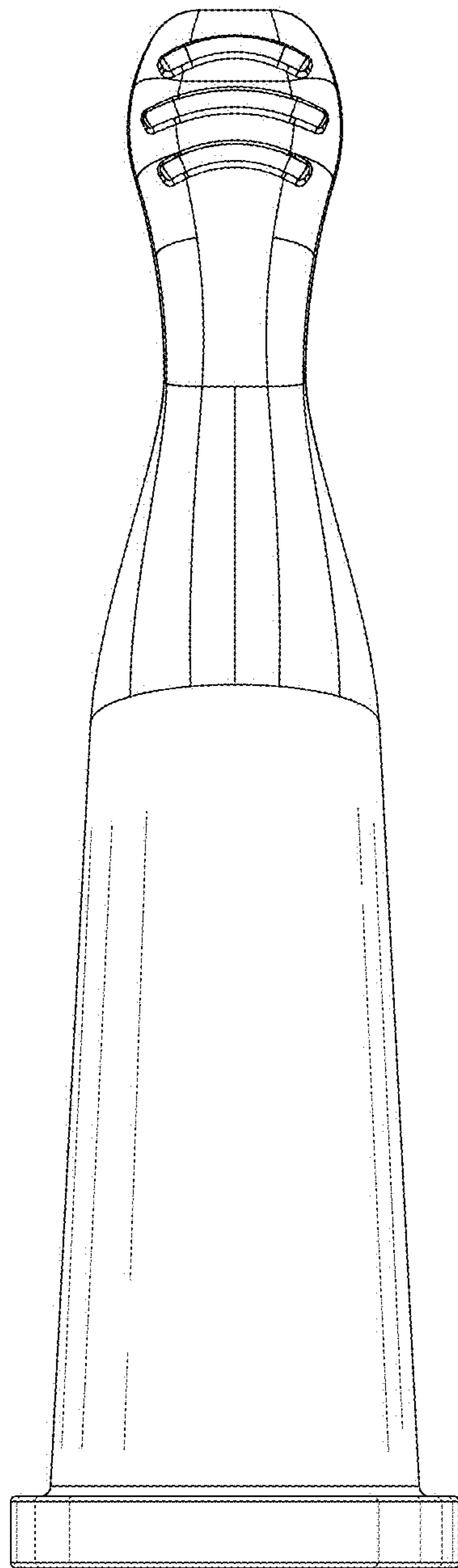


Fig. 7