

US00D947539S

(12) **United States Design Patent**
Zhao et al.

(10) **Patent No.:** **US D947,539 S**

(45) **Date of Patent:** **** Apr. 5, 2022**

(54) **TOOTHBRUSH HEAD**

(71) Applicant: **Thumbs Up Innovations Technology Co., Ltd., Zhuhai (CN)**

(72) Inventors: **Yuqiang Zhao, Zhuhai (CN); Yubin Li, Zhuhai (CN); Xiu Zou, Zhuhai (CN); Zhidong Wang, Zhuhai (CN); Rongjin Zheng, Zhuhai (CN); Jiacheng Huang, Zhuhai (CN); Fenfen Shi, Zhuhai (CN)**

(73) Assignee: **Thumbs Up Innovations Technology Co., Ltd., Zhuhai (CN)**

(**) Term: **15 Years**

(21) Appl. No.: **29/749,788**

(22) Filed: **Sep. 9, 2020**

(51) **LOC (13) Cl.** **28-03**

(52) **U.S. Cl.**
USPC **D4/101; D4/113**

(58) **Field of Classification Search**
USPC D4/100, 101, 104, 105, 106, 107, 108, D4/109, 110, 111, 112, 113, 127, 128, D4/136, 138
CPC .. A46B 2200/1066; A46B 9/04; A46B 15/007
See application file for complete search history.

(56) **References Cited**

U.S. PATENT DOCUMENTS

D448,172 S * 9/2001 Harris D4/104
7,950,100 B2 * 5/2011 Hohlbein A46B 3/005
15/111
D841,335 S * 2/2019 Jimenez D4/108

D863,771 S * 10/2019 Zavalloni D4/101
D933,961 S * 10/2021 He D4/101
D933,962 S * 10/2021 He D4/101

* cited by examiner

Primary Examiner — Karen E Eldridge Powers

(74) *Attorney, Agent, or Firm* — ScienBiziP, P.C.

(57) **CLAIM**

The ornamental design for a brush head, as shown and described.

DESCRIPTION

FIG. 1 is a front, top and right side perspective view of a toothbrush head, showing our design.

FIG. 2 is a front elevation view thereof.

FIG. 3 is a rear elevation view thereof.

FIG. 4 is a left side elevation view thereof.

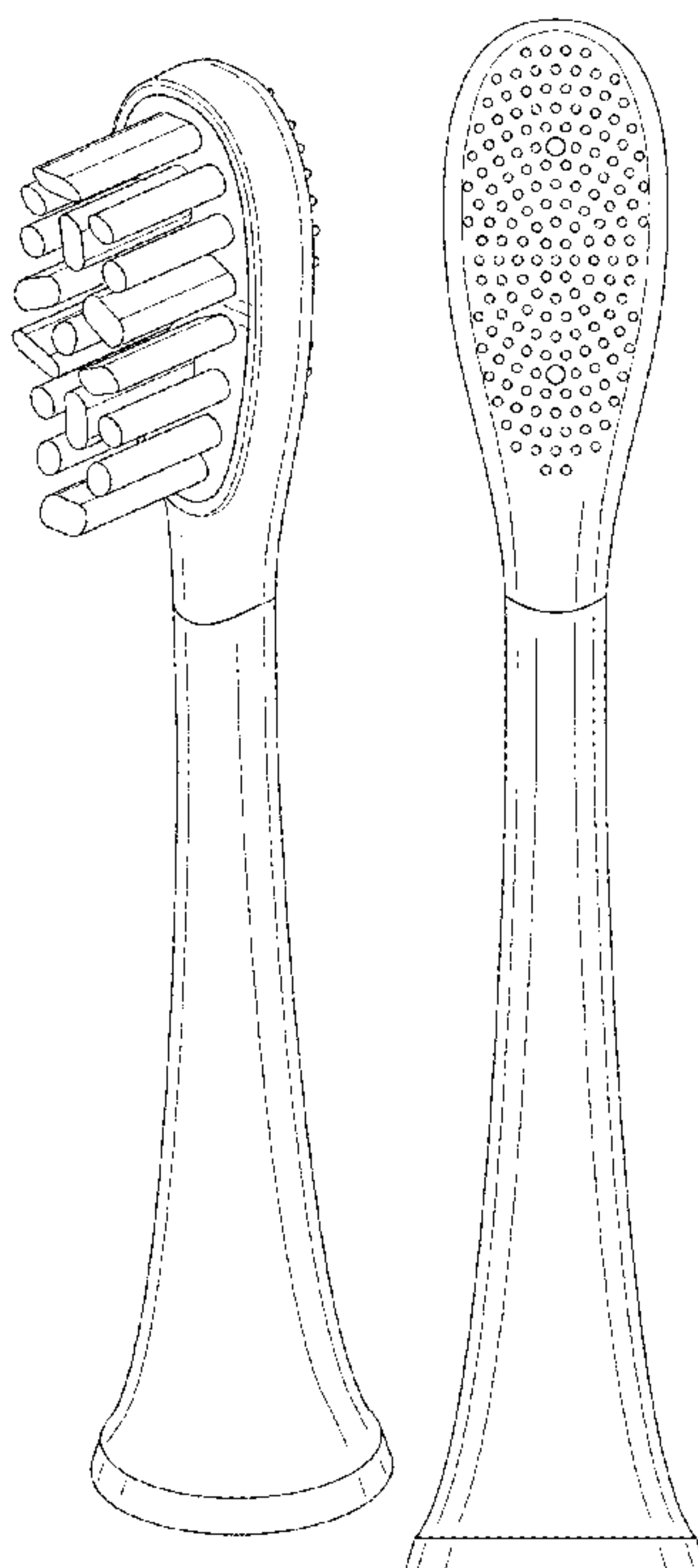
FIG. 5 is a right side elevation view thereof.

FIG. 6 is a top plan view thereof; and,

FIG. 7 is a bottom plan view thereof.

The broken line in FIG. 7 depicts a boundary and forms no part of the claimed design.

1 Claim, 6 Drawing Sheets



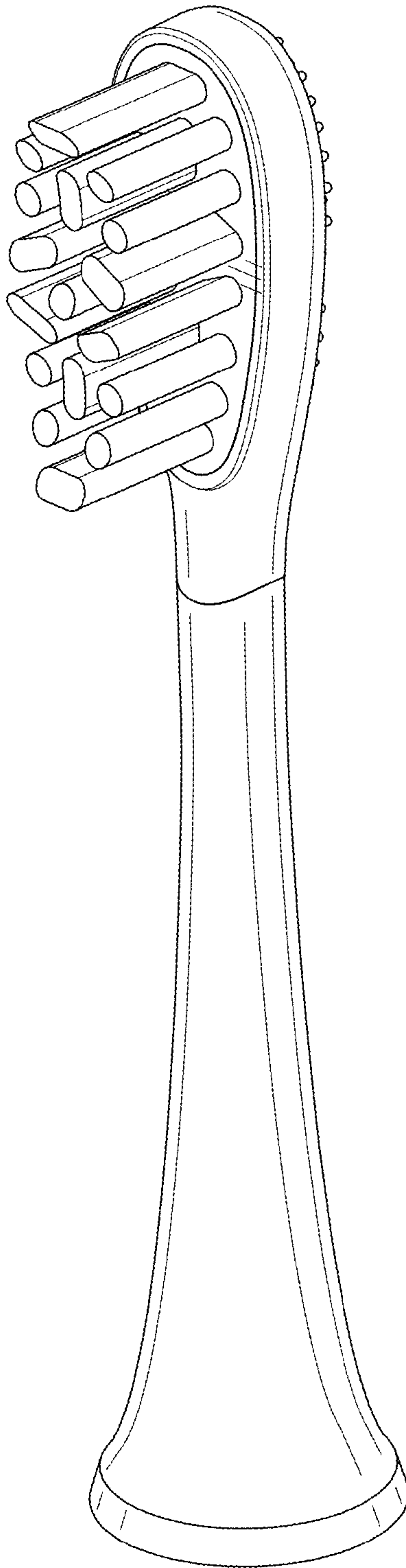


FIG. 1

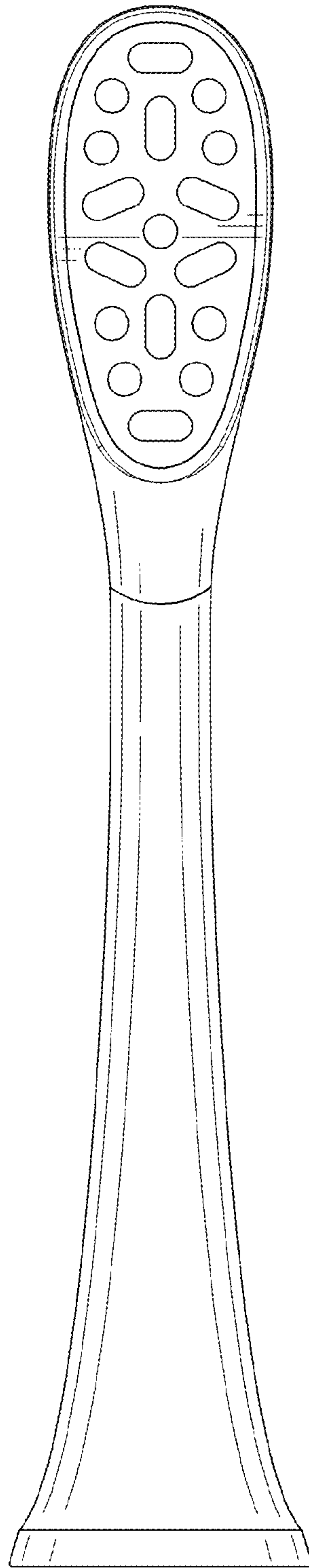


FIG.2

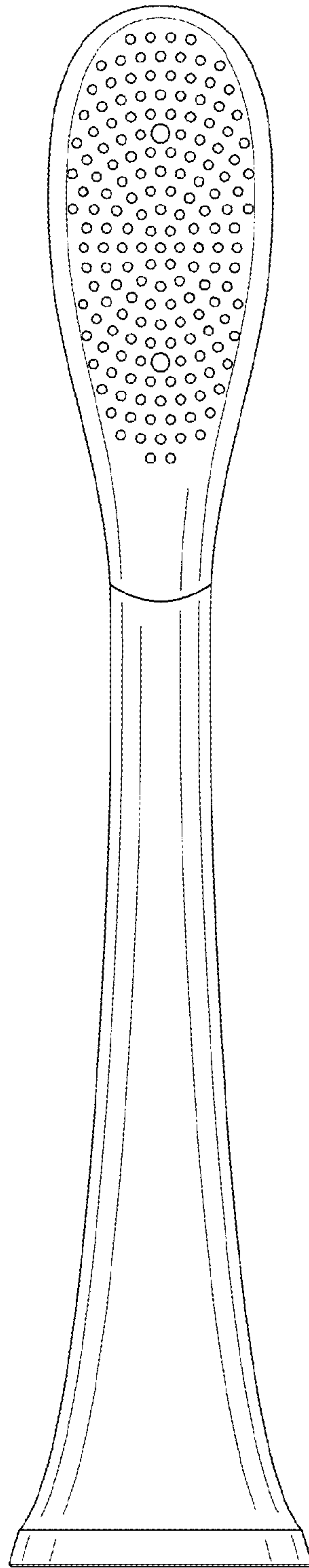


FIG.3

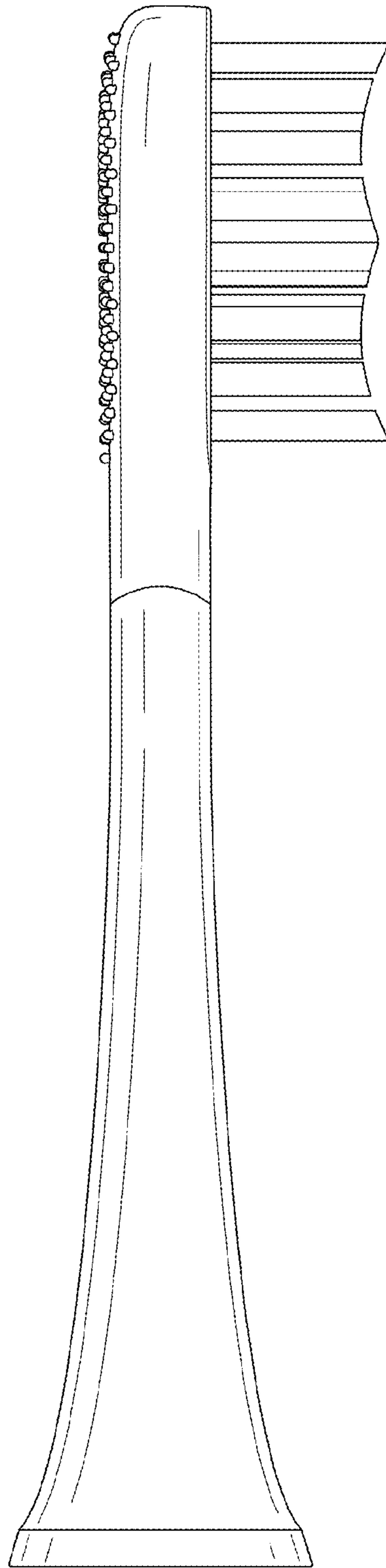


FIG. 4

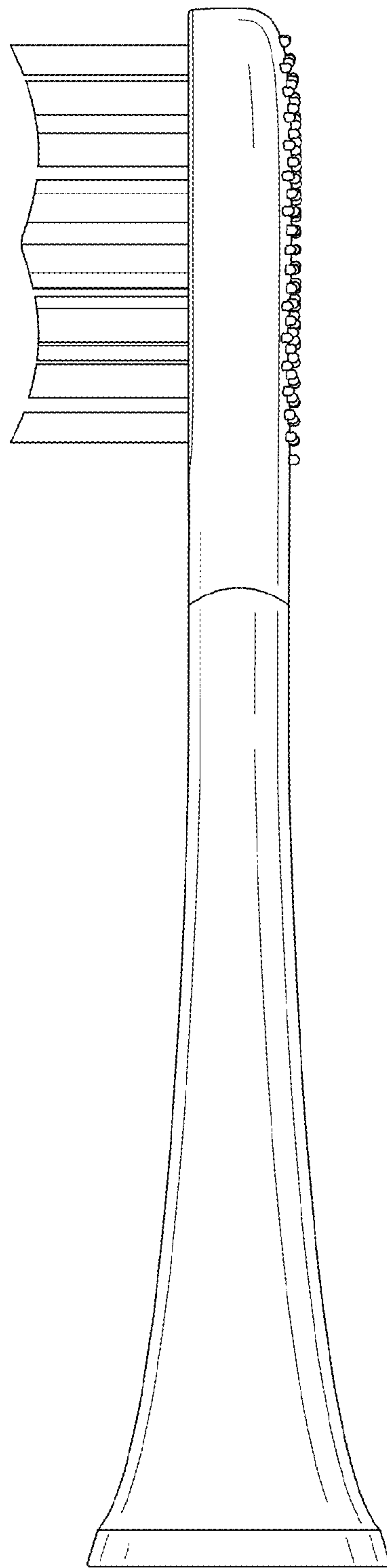


FIG. 5

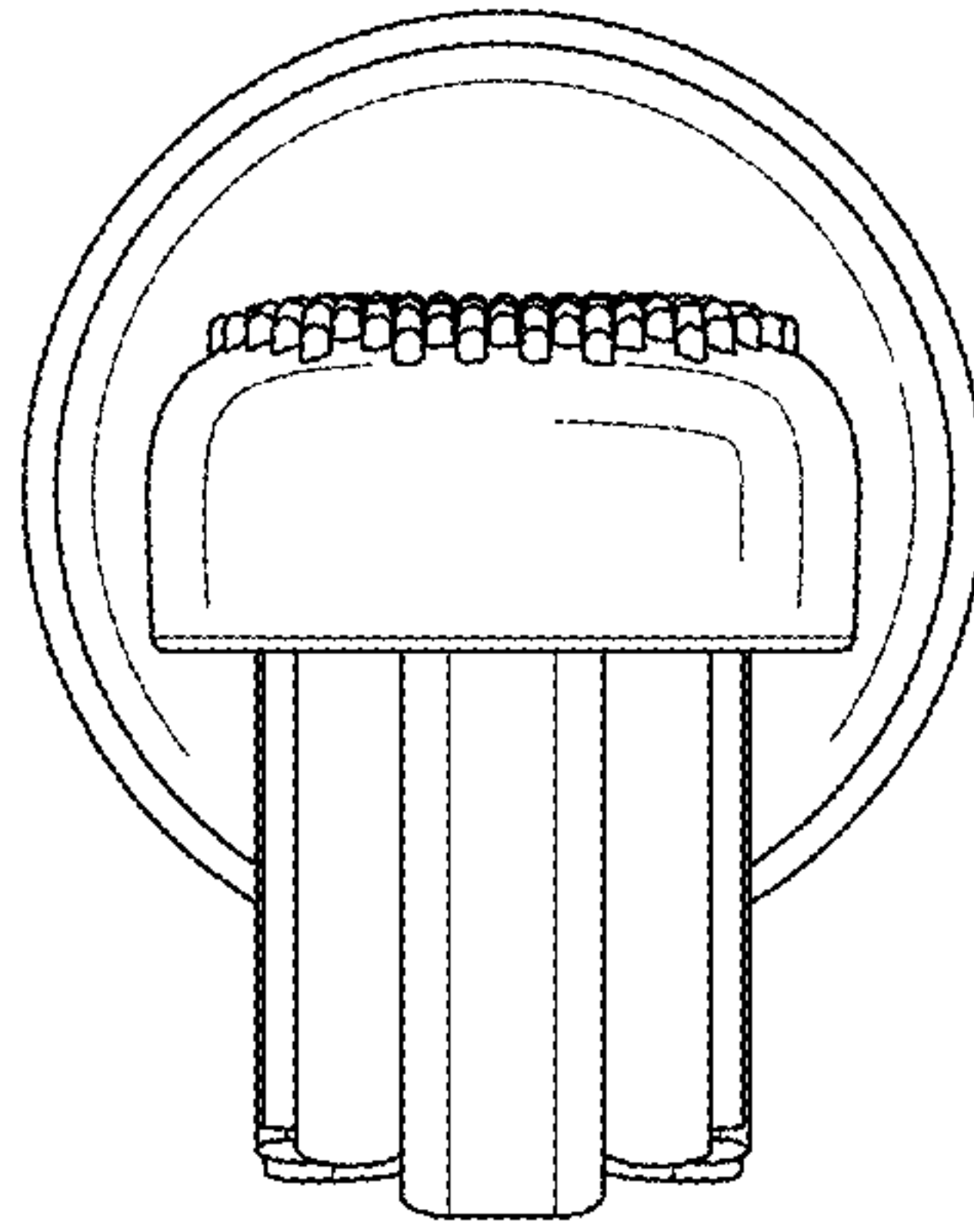


FIG. 6

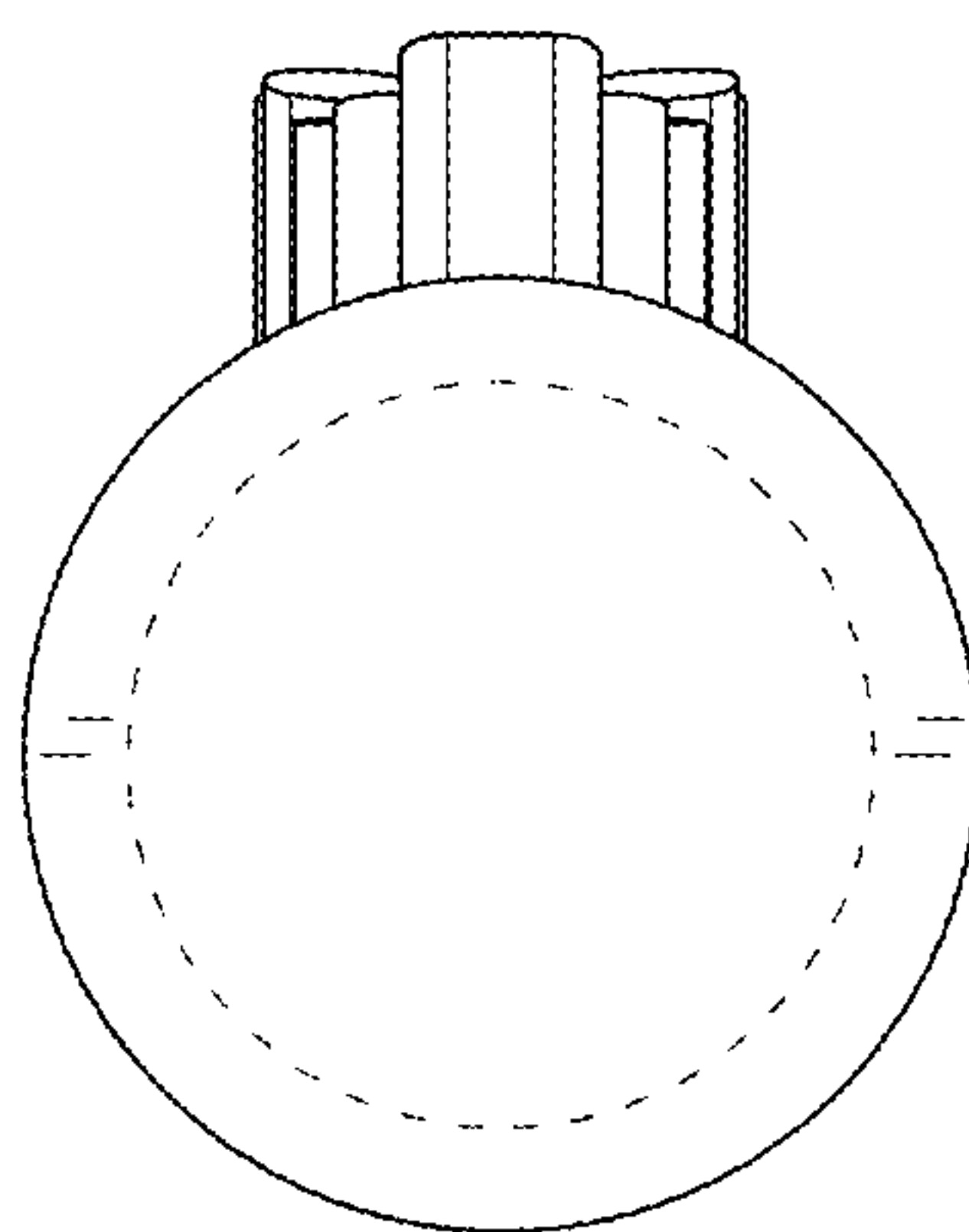


FIG. 7