



US00D947535S

(12) **United States Design Patent** (10) **Patent No.:** **US D947,535 S**
Suh et al. (45) **Date of Patent:** **** Apr. 5, 2022**

(54) **POST CAP FOR FOLDABLE CONTAINER**

4,537,540 A * 8/1985 Boughton B60P 1/6418
410/82

(71) Applicant: **KOREA PALLET POOL Co., LTD,**
Seoul (KR)

D334,815 S * 4/1993 Bunger D21/501
D488,620 S * 4/2004 McAlpine D3/318
D502,647 S * 3/2005 McAlpine D3/296
D670,080 S * 11/2012 James D3/304
D678,045 S * 3/2013 Paolini D8/382

(72) Inventors: **Byong Yoon Suh**, Seoul (KR); **Yong Jun Lee**, Cheonan-si (KR); **Shin Joon Kang**, Osan-si (KR); **Nu Ree Lee**, Seoul (KR)

(Continued)

FOREIGN PATENT DOCUMENTS

(73) Assignee: **KOREA PALLET POOL CO., LTD.,**
Seoul (KR)

CN 3088368 * 10/1998
CN 3090966 * 11/1998
KR 301057793.0000 * 5/2020

(**) Term: **15 Years**

OTHER PUBLICATIONS

(21) Appl. No.: **29/720,052**

ABS BV Certified ISO 1161 Standard Casting Container Corner Fitting, unknown first available date, alibaba.com [online], [site visited Dec. 13, 2021], Available at URL: https://www.alibaba.com/product-detail/Casting-Container-Corner-Corner-Casting-Container_60670639692.html (Year: 2021).*

(22) Filed: **Jan. 9, 2020**

(Continued)

(30) **Foreign Application Priority Data**

Jul. 9, 2019 (KR) 30-2019-0032871

(51) **LOC (13) Cl.** **03-01**

(52) **U.S. Cl.**
USPC **D3/318**

(58) **Field of Classification Search**
USPC D3/304-305, 307, 313, 318-319, 323,
D3/328, 272; D25/113
CPC . E05B 12/24; E05B 13/0292; E05D 11/0054;
E05D 11/082; A47B 47/042; B65D
88/52; B65D 88/522; B65D 88/528;
B65D 88/00; B65D 88/542; B65D 88/30;
B65D 88/02; B65D 88/12; B65D 88/128;
B65D 9/12; B65D 11/1873; B65D 5/007
See application file for complete search history.

Primary Examiner — Michelle E. Wilson
Assistant Examiner — Caitlin A Laverty
(74) *Attorney, Agent, or Firm* — Rabin & Berdo, P.C.

(57) **CLAIM**

The ornamental design for a post cap for foldable container, as shown and described.

DESCRIPTION

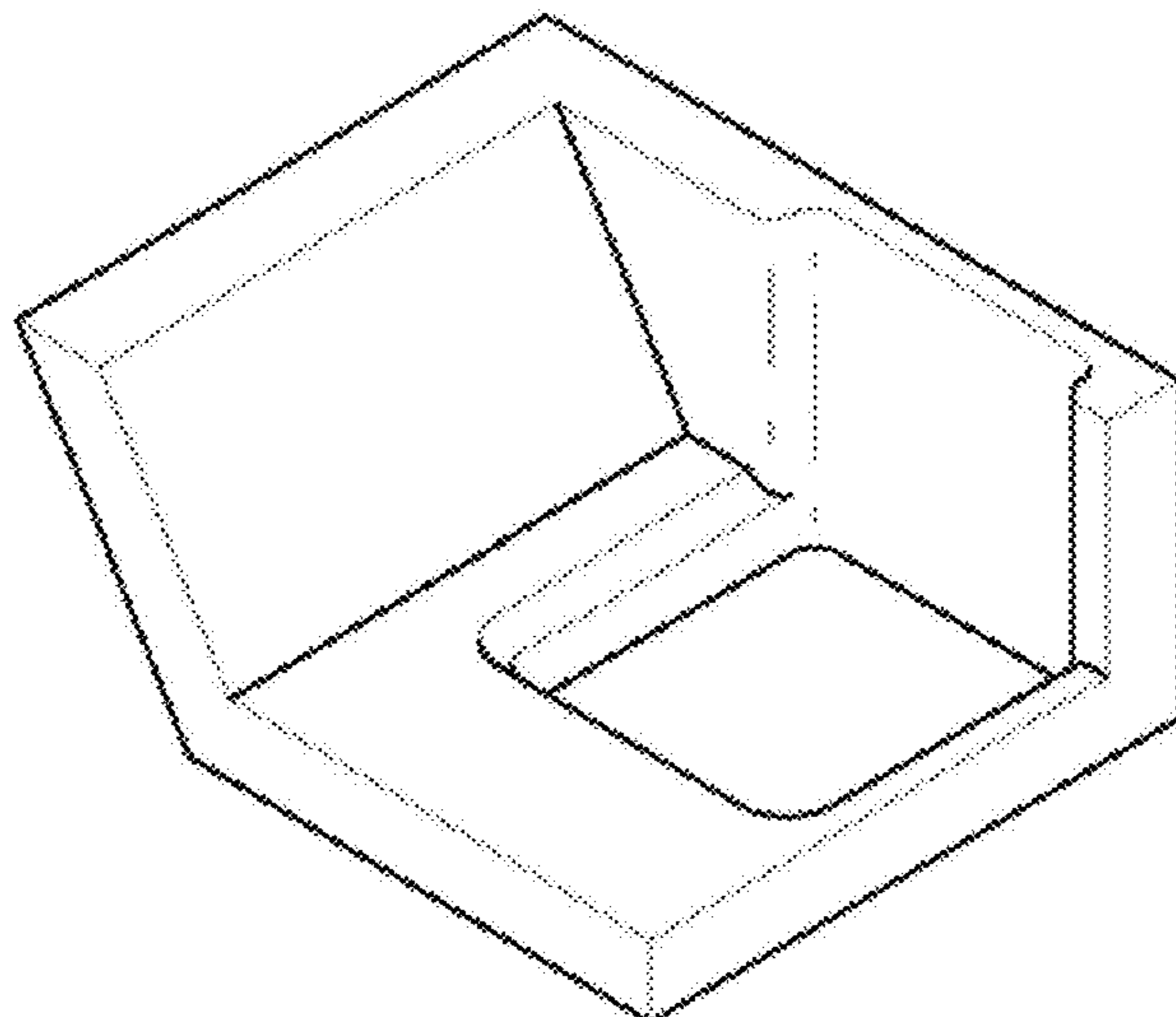
FIG. 1 is a perspective view of a post cap for foldable container showing our new design.
FIG. 2 is a front elevational view thereof;
FIG. 3 is a rear elevational view thereof;
FIG. 4 is a left side elevational view thereof;
FIG. 5 is a right side elevational view thereof;
FIG. 6 is a top plan view thereof; and,
FIG. 7 is a bottom plan view thereof.

1 Claim, 3 Drawing Sheets

(56) **References Cited**

U.S. PATENT DOCUMENTS

3,138,398 A * 6/1964 Silverman B65D 88/528
294/68.1
3,162,331 A * 12/1964 Hutchins B65D 88/129
222/184



(56)

References Cited

U.S. PATENT DOCUMENTS

D924,041 S * 7/2021 Brown D8/349
2008/0029510 A1 * 2/2008 Fisk B65D 88/524
220/7
2010/0270298 A1 * 10/2010 Kong B65D 88/522
220/4.29
2014/0263306 A1 * 9/2014 Brennan, Jr. B65D 90/0026
220/6
2014/0263379 A1 * 9/2014 Brennan, Jr. B65D 90/08
220/720
2015/0344223 A1 * 12/2015 Hwang B65D 90/0026
220/1.5
2016/0227924 A1 * 8/2016 Chen A47B 47/0016
2017/0057739 A1 * 3/2017 Kochanowski B65D 88/524
2018/0171685 A1 * 6/2018 Kim B63B 25/00
2018/0194267 A1 * 7/2018 Helou, Jr. B65D 90/0026
2019/0329972 A1 * 10/2019 Vancampen B65D 90/0026

OTHER PUBLICATIONS

8 TIE Down Twist Lock ISO Shipping Container—Side Twist Lock Anchors Storage Container, unknown first available date, amazon.com [online], [site visited Dec. 13, 2021], Available at URL: <https://www.amazon.com/Shipping-Container-Down-Twist-Lock/dp/B09DFGVH95/> (Year: 2021).*

* cited by examiner

FIG. 1

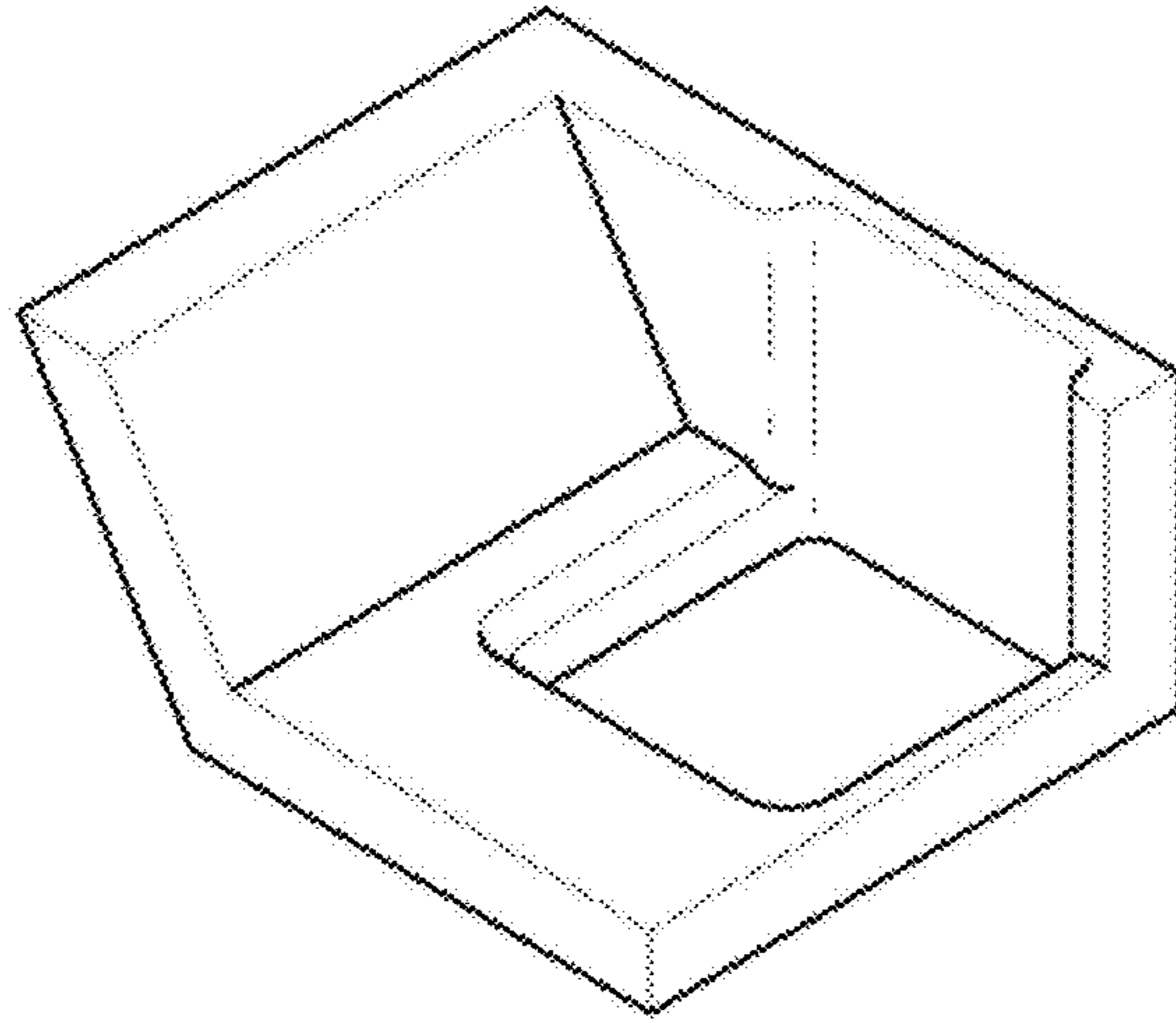


FIG. 2



FIG. 3



FIG. 4



FIG. 5

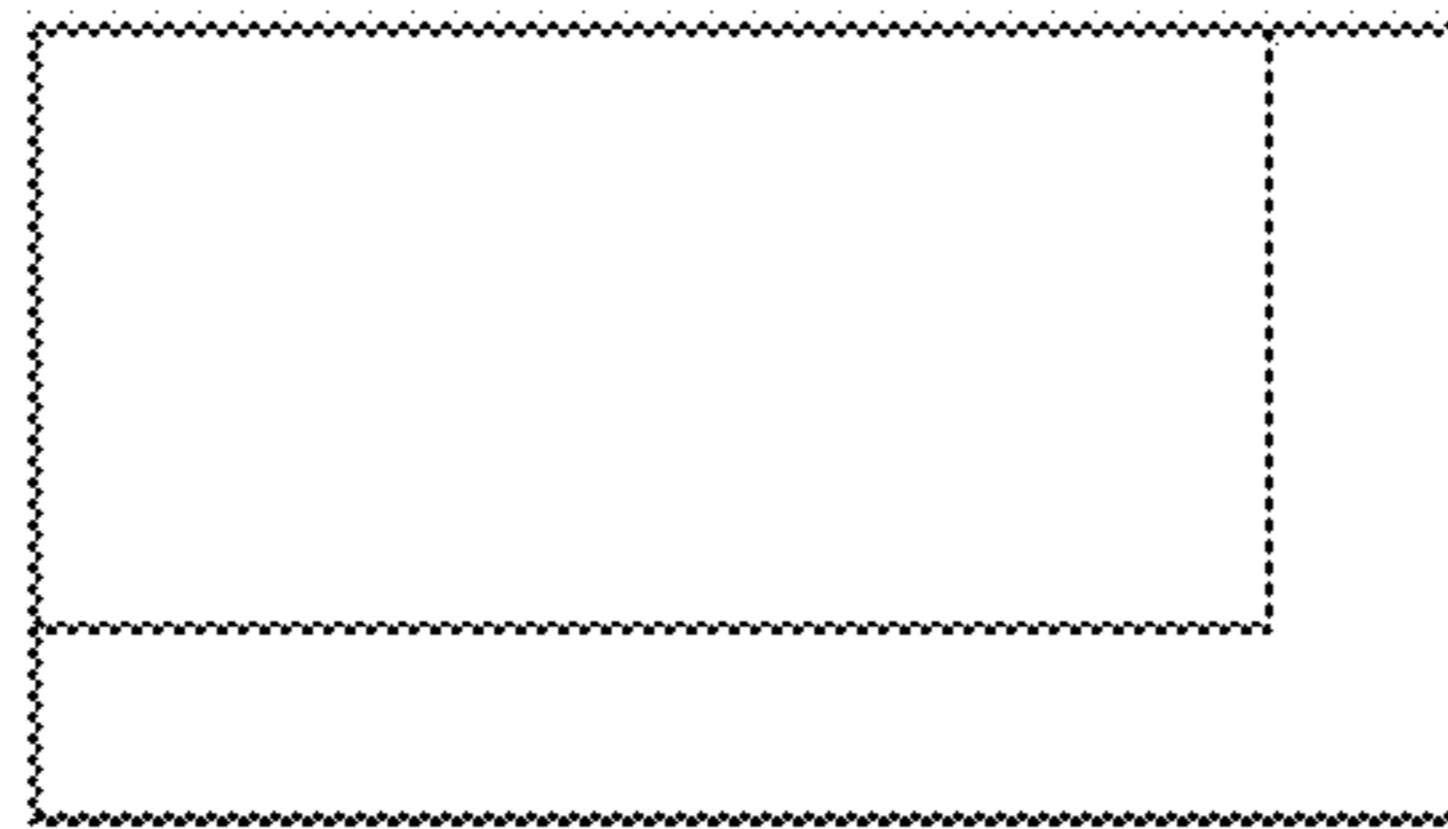


FIG. 6

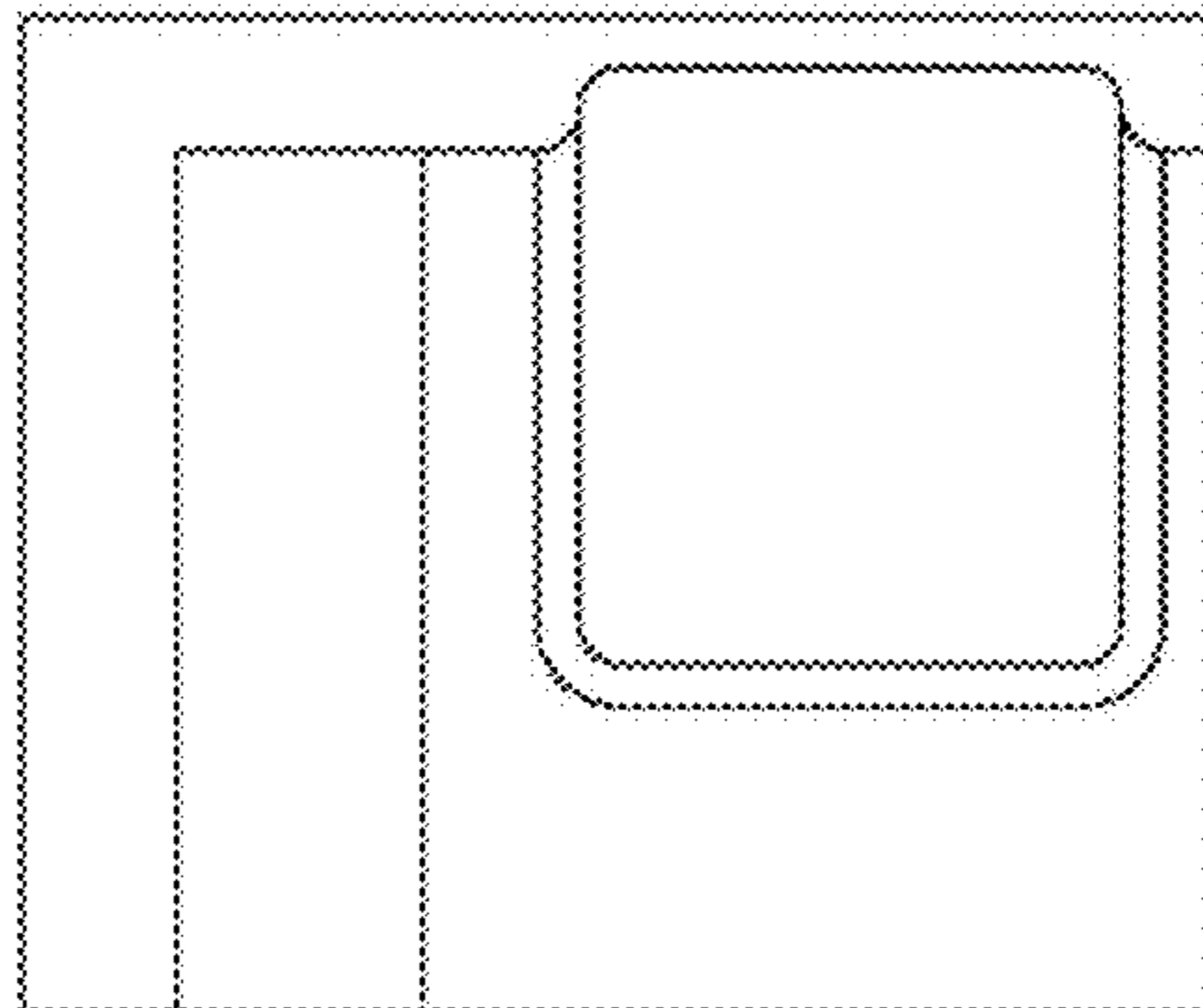


FIG. 7

